



US00D377013S

United States Patent [19]

[11] Patent Number: **Des. 377,013**

Mori et al.

[45] Date of Patent: ****Dec. 31, 1996**

[54] TELEVISION RECEIVER WITH COMPUTER

912361 11/1994 Japan .

[75] Inventors: **Masakazu Mori; Tamotsu Senda**, both of Ehime, Japan

OTHER PUBLICATIONS

Panasonic Leaflet, prior to Mar. 17, 1995.
High Fidelity, Nov. 1988, p. 49.
High Fidelity, Dec. 1988, p. 88.

[73] Assignee: **Matsushita Electric Industrial Co., Ltd.**, Osaka, Japan

[**] Term: **14 Years**

Primary Examiner—Prabhakar G. Deshmukh
Attorney, Agent, or Firm—Sughrue, Mion, Zinn, Macpeak & Seas

[21] Appl. No.: **44,118**

[22] Filed: **Sep. 18, 1995**

[57] CLAIM

[30] Foreign Application Priority Data

The ornamental design for a television receiver with computer, as shown.

Mar. 17, 1995 [JP] Japan 7-7381

[52] U.S. Cl. **D14/129**

[58] Field of Search D14/113, 124-134;
348/790-794, 836, 838, 808, 825

DESCRIPTION

[56] References Cited

FIG. 1 is a perspective view of the top, front and right side of a television receiver with computer showing our new design;

U.S. PATENT DOCUMENTS

FIG. 2 is a front elevational view thereof;

D. 310,522	9/1990	Yang	D14/126 X
D. 338,668	8/1993	Saito et al.	D14/129
D. 342,496	12/1993	Higashibata et al.	D14/126
D. 357,469	4/1995	Baek	D14/126 X
D. 367,479	2/1996	Asanuma et al.	D14/129

FIG. 3 is a top plan view thereof;

FIG. 4 is a rear elevational view thereof;

FIG. 5 is a right side elevational view thereof;

FIG. 6 is a left side elevational view thereof; and,

FIG. 7 is a bottom plan view thereof.

FOREIGN PATENT DOCUMENTS

912282 11/1994 Japan .

1 Claim, 4 Drawing Sheets

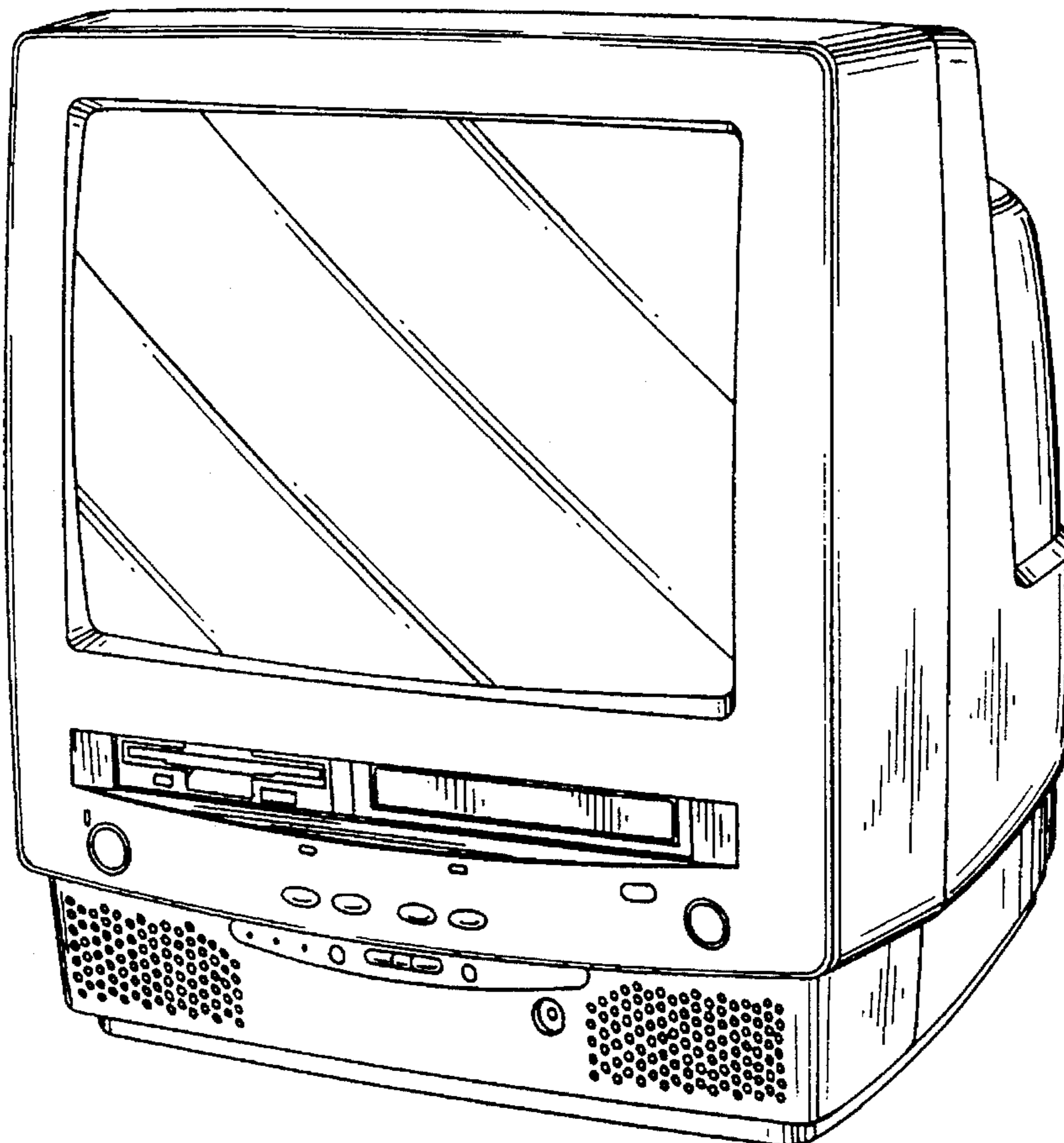


FIG. 1

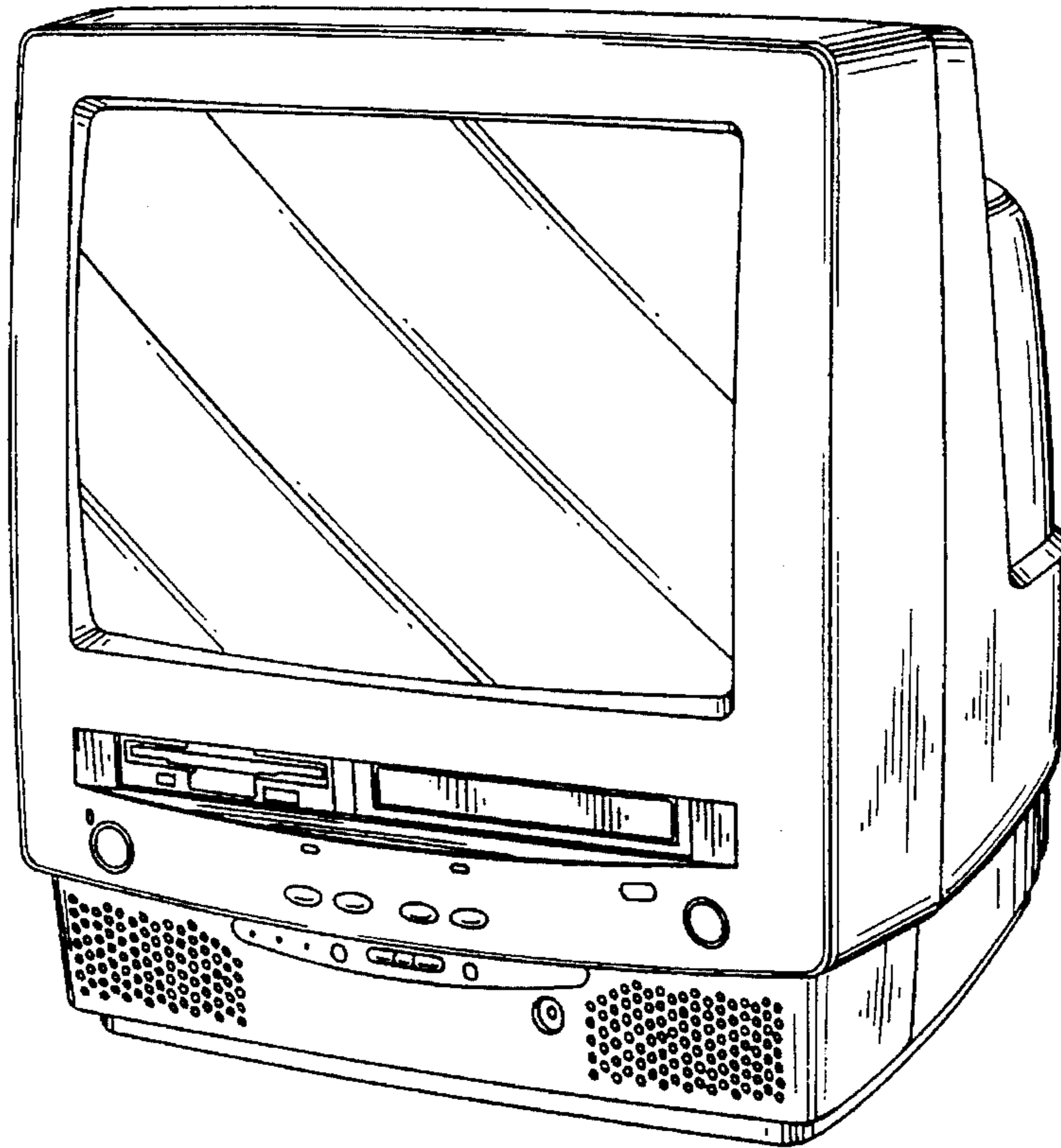


FIG. 2

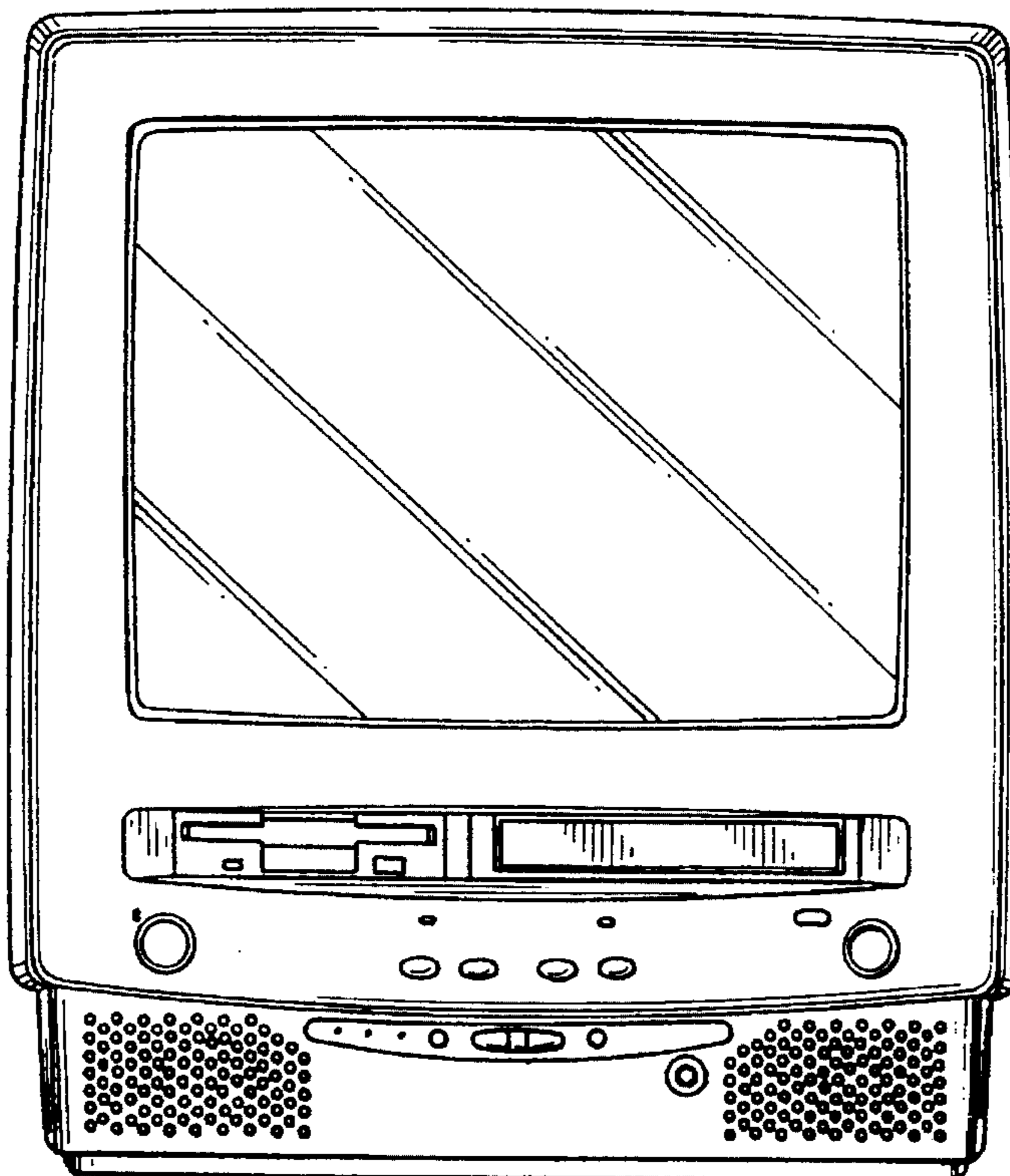


FIG. 3

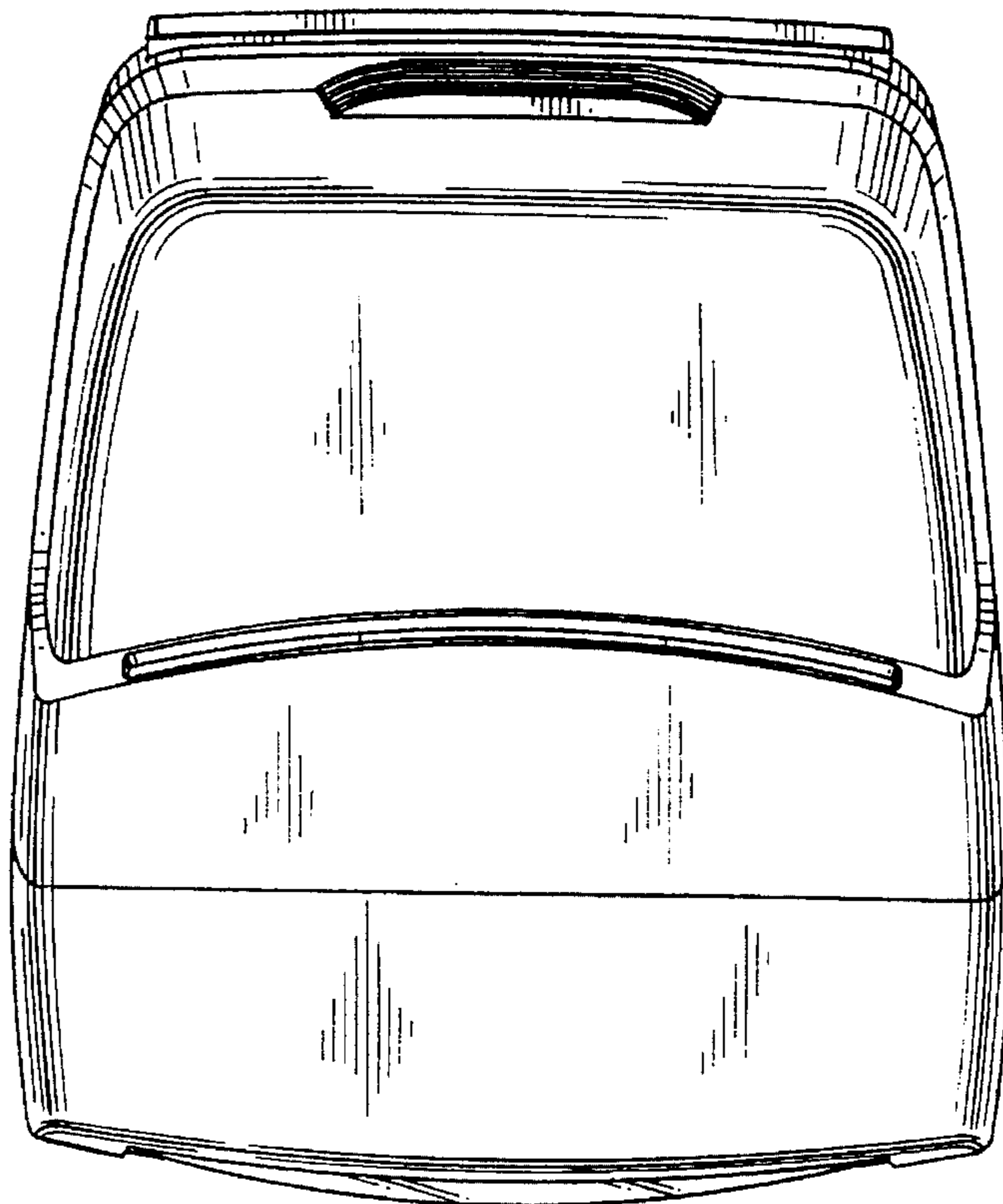


FIG. 4

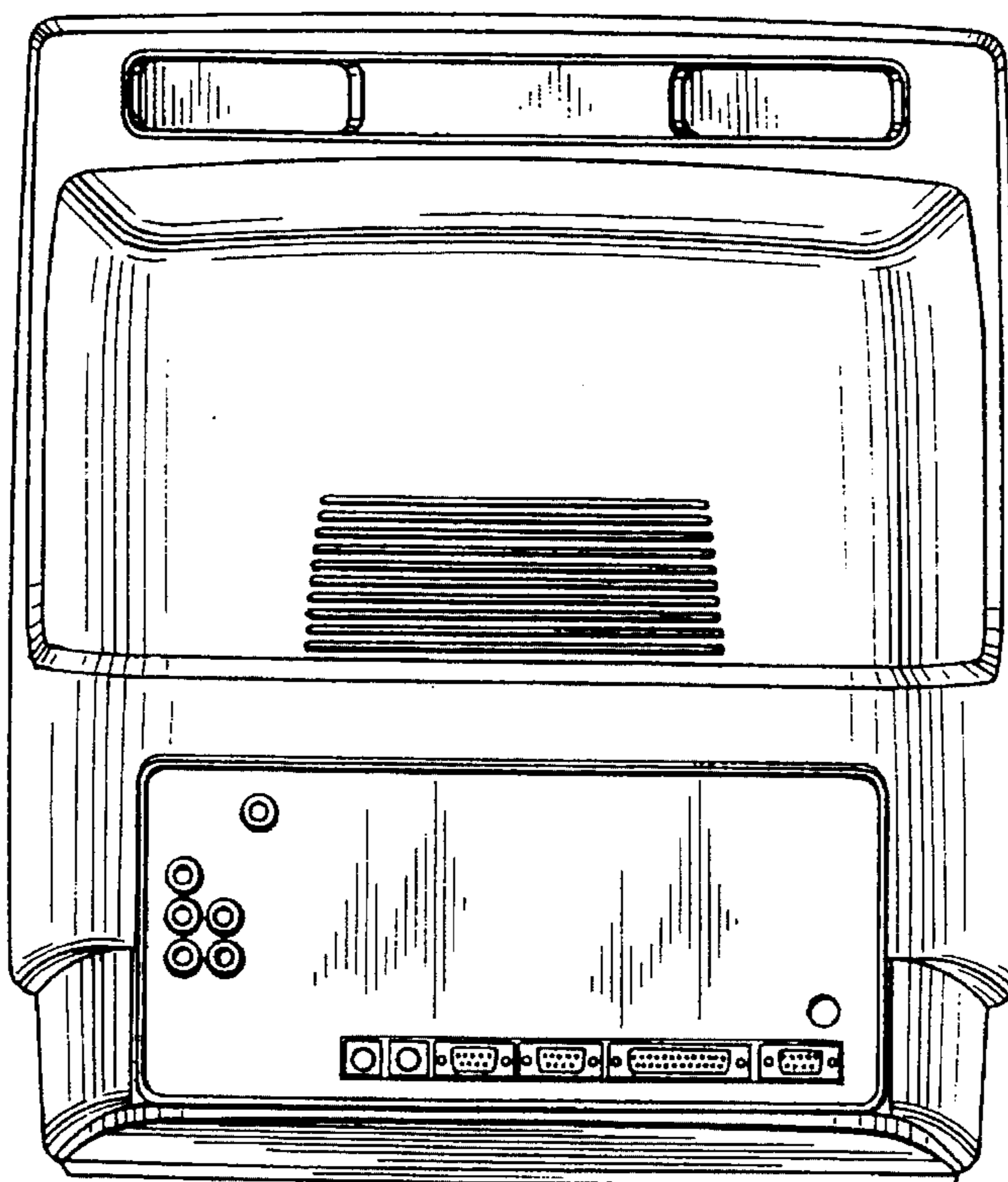


FIG. 5

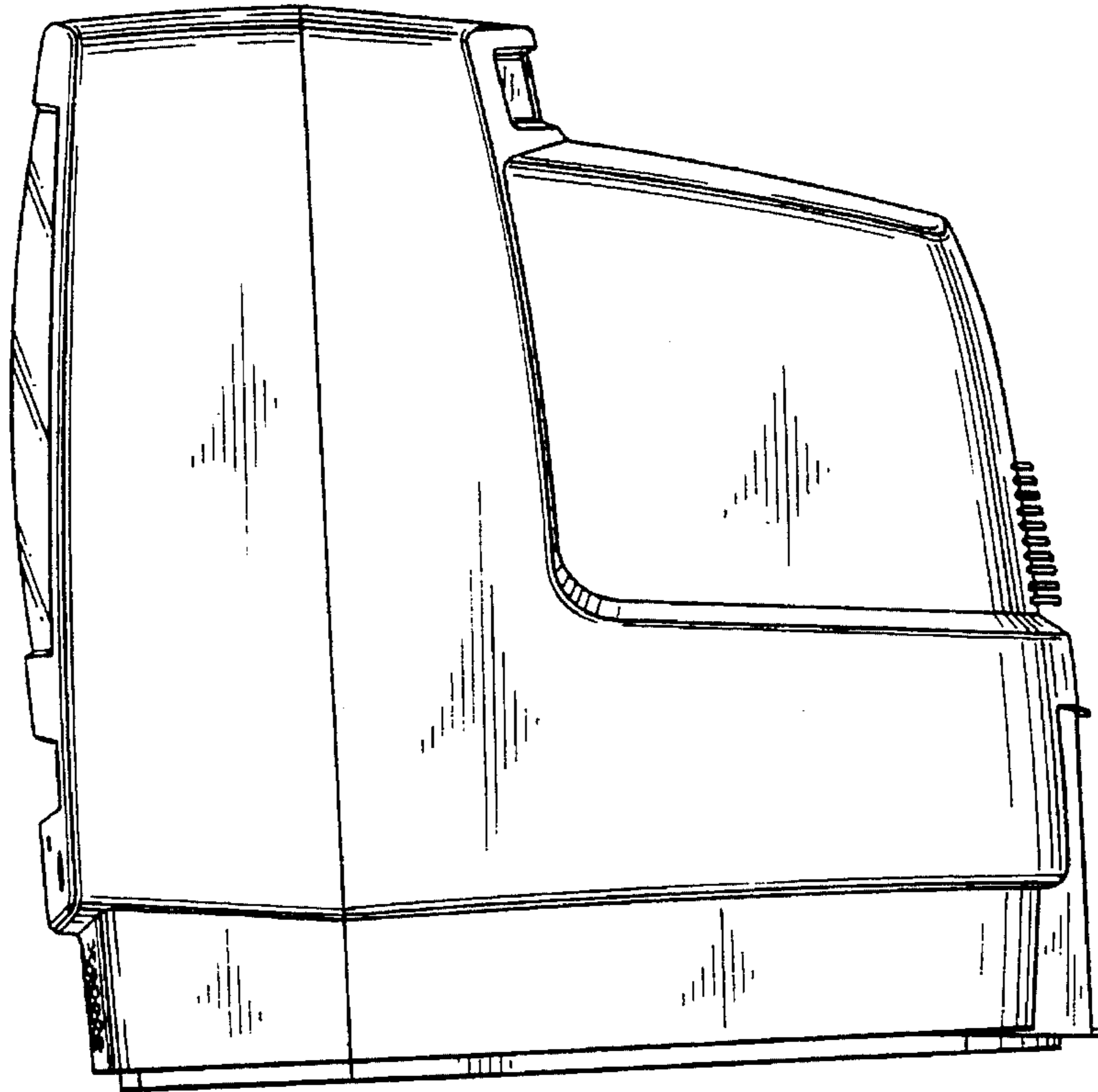


FIG. 6

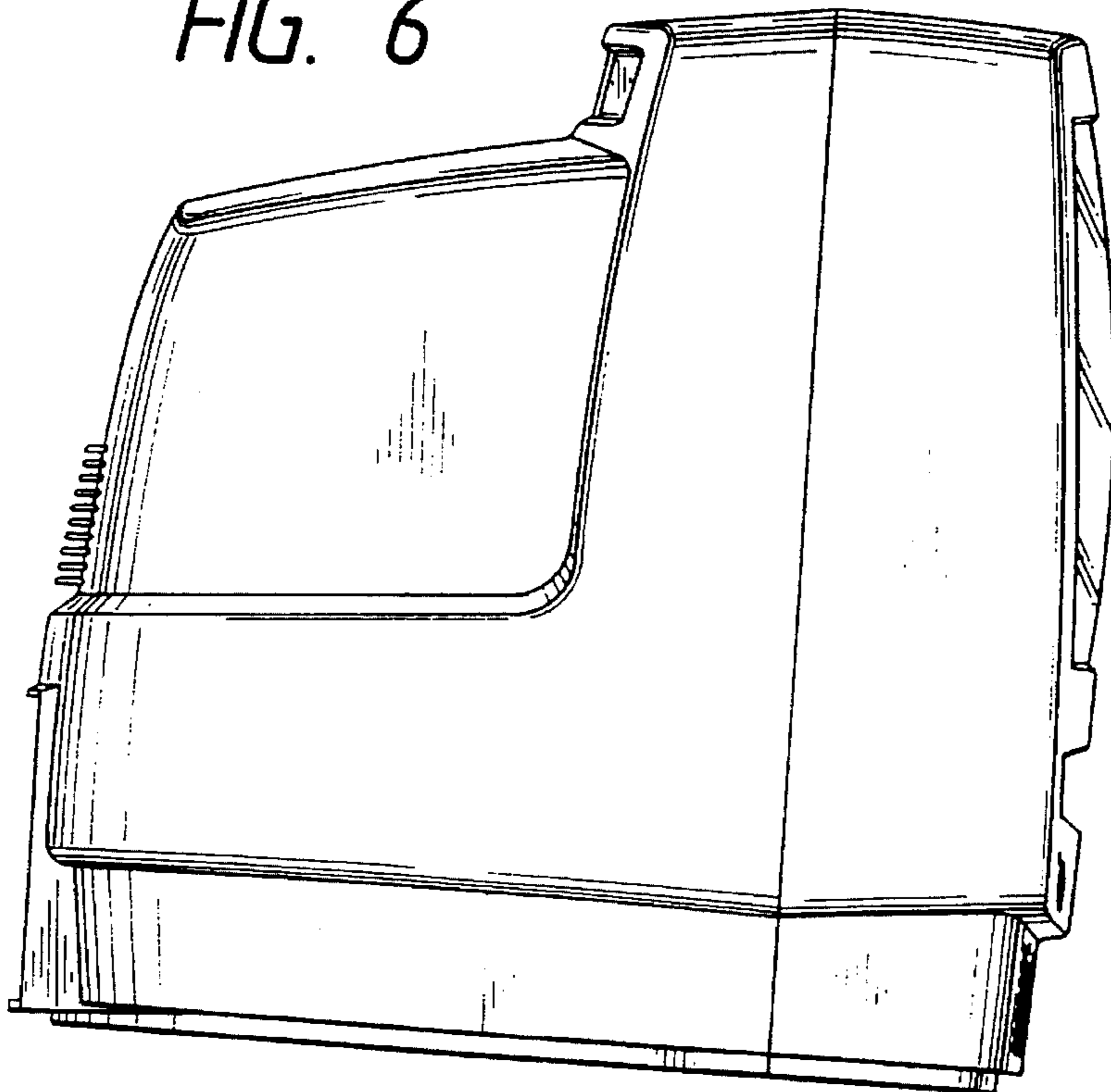


FIG. 7

