



US00D377011S

# United States Patent [19]

[11] Patent Number: **Des. 377,011**

Inoue et al.

[45] Date of Patent: **\*\*Dec. 31, 1996**

[54] TELEVISION RECEIVER

4,716,493 12/1987 Zelkowitz ..... 348/825 X

[75] Inventors: **Takashi Inoue, Nara; Toru Higashibata, Osaka, both of Japan**

### FOREIGN PATENT DOCUMENTS

736721 6/1988 Japan .  
752051 1/1989 Japan .  
774121 11/1989 Japan .

[73] Assignee: **Matsushita Electric Industrial Co., Ltd., Osaka, Japan**

### OTHER PUBLICATIONS

[\*\*] Term: **14 Years**

HFD 15-1989, p. 104.  
Form 123, 1988, p. 49.

[21] Appl. No.: **43,513**

*Primary Examiner*—Prabhakar G. Deshmukh  
*Attorney, Agent, or Firm*—Sughrue, Mion, Zinn, Macpeak & Seas

[22] Filed: **Sep. 6, 1995**

### [30] Foreign Application Priority Data

Mar. 8, 1995 [JP] Japan ..... 7-6263

### [57] CLAIM

[52] U.S. Cl. .... **D14/126**

The ornamental design for a television receiver, as shown.

[58] Field of Search ..... D14/113, 124-134;  
348/790-794, 836, 838, 825, 808; 312/72

### DESCRIPTION

### [56] References Cited

#### U.S. PATENT DOCUMENTS

D. 298,247 10/1988 Kogane et al. .... D14/126  
D. 338,668 8/1993 Saito et al. .... D14/129  
D. 342,496 12/1993 Higashibata et al. .... D14/126  
D. 349,495 8/1994 Bak ..... D14/126  
D. 362,847 10/1995 Asanuma et al. .... D14/126  
D. 362,849 10/1995 Higashibata et al. .... D14/126  
D. 367,479 2/1996 Asanuma et al. .... D14/129

FIG. 1 is a perspective view of the top, front and right side of a television receiver showing our new design;  
FIG. 2 is a front elevational view thereof;  
FIG. 3 is a top plan view thereof;  
FIG. 4 is a right side elevational view thereof;  
FIG. 5 is a left side elevational view thereof;  
FIG. 6 is a rear elevational view thereof; and,  
FIG. 7 is a bottom plan view thereof.

**1 Claim, 4 Drawing Sheets**

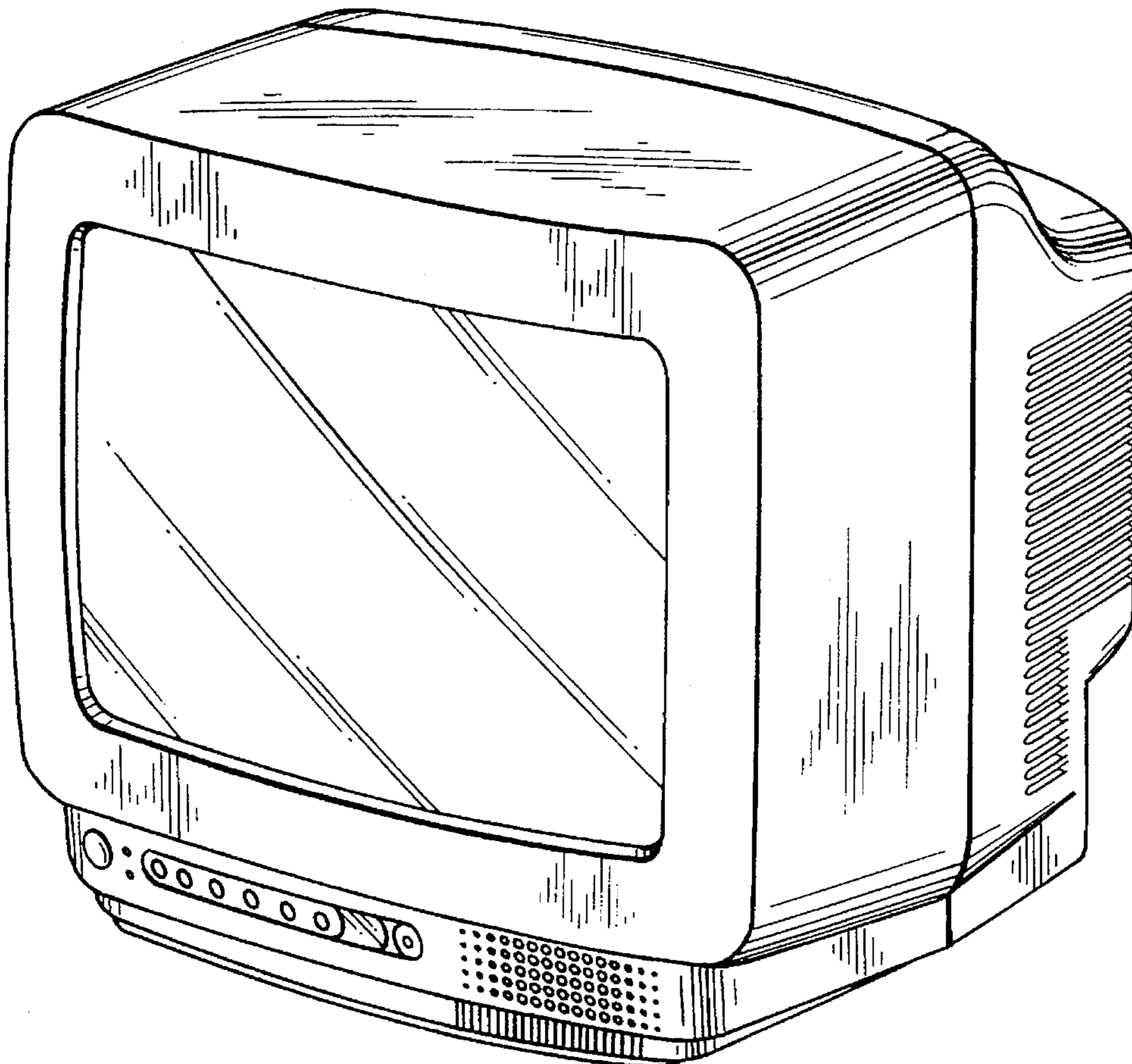


FIG. 1

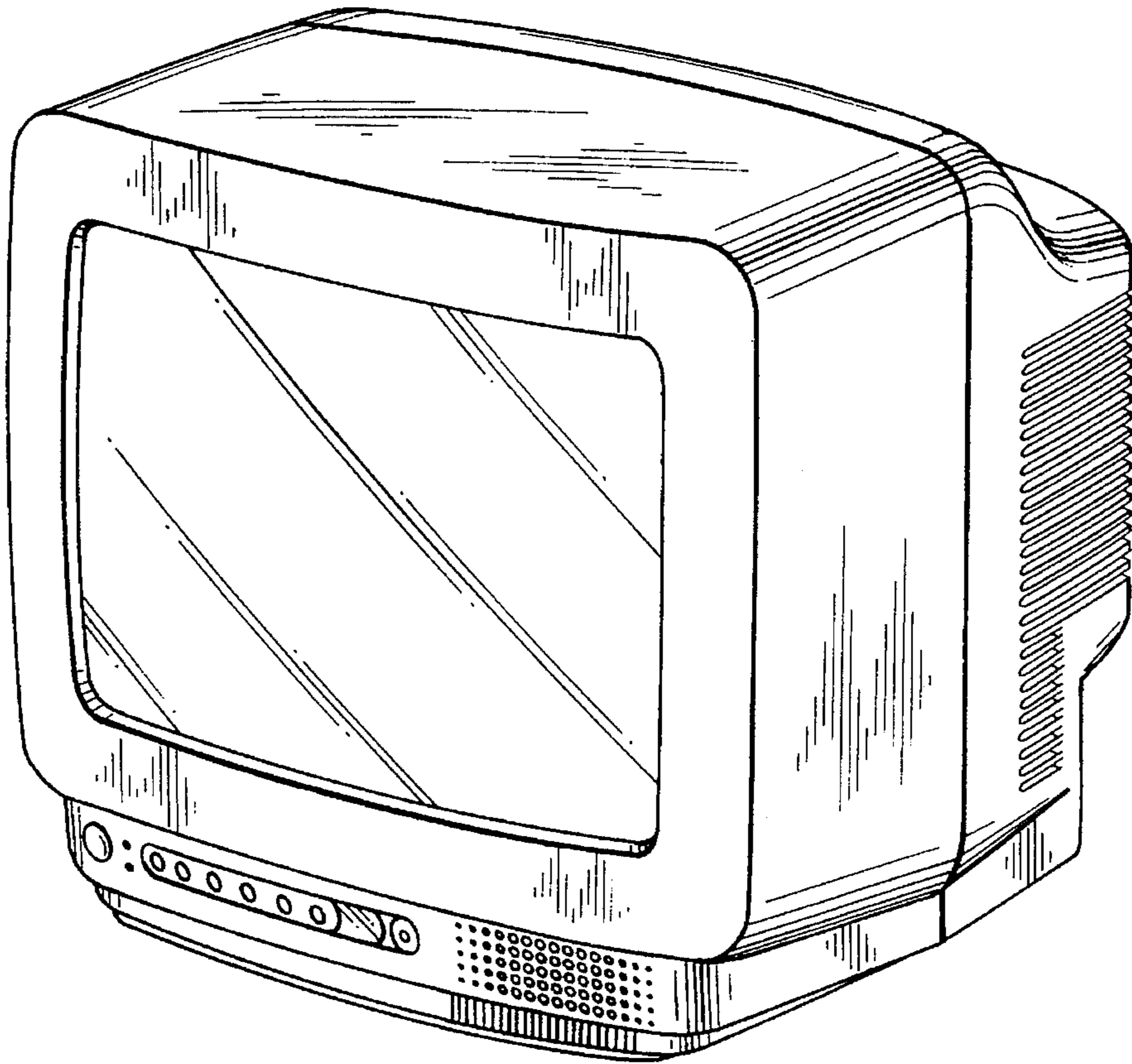


FIG. 2

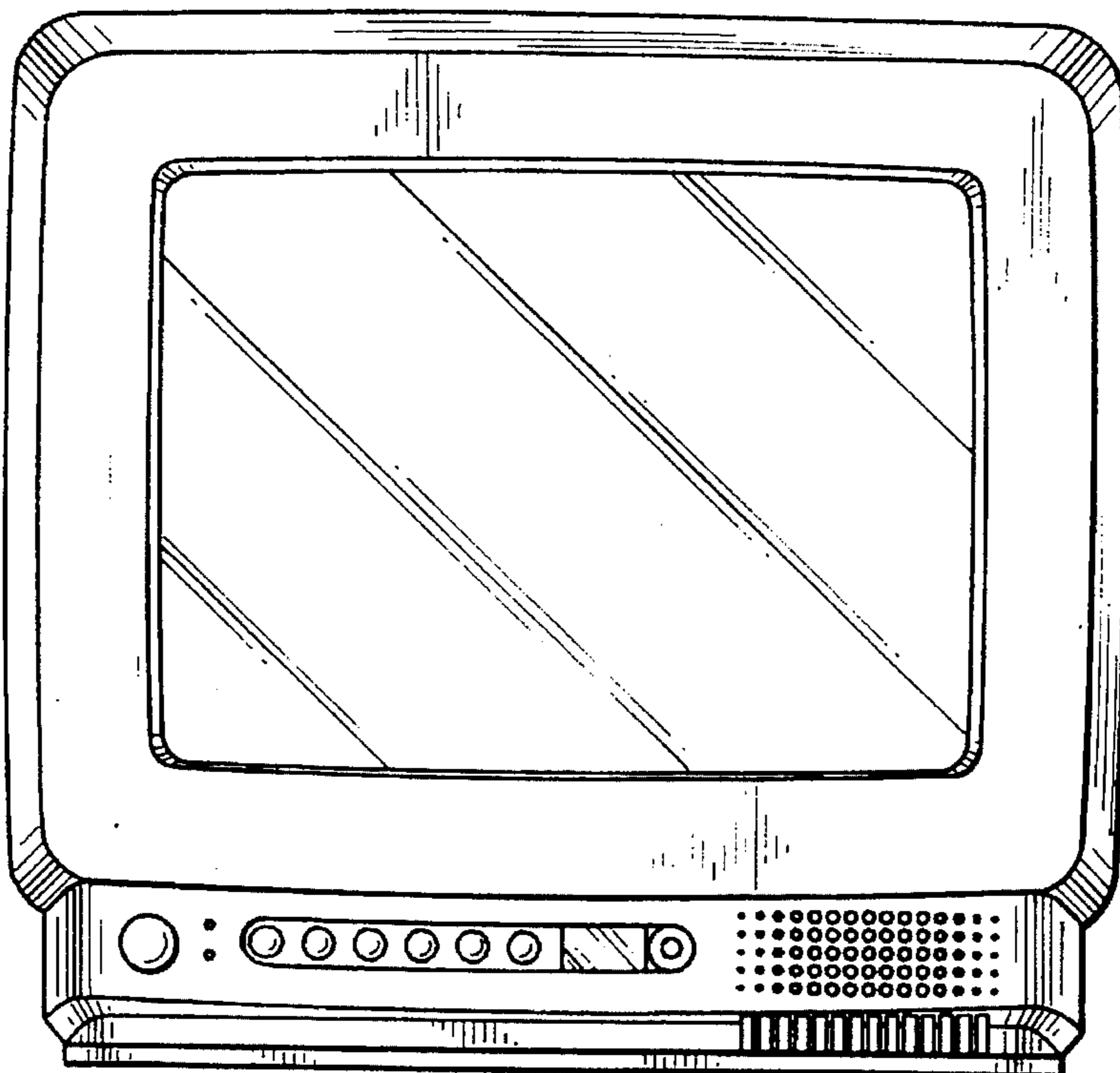


FIG. 3

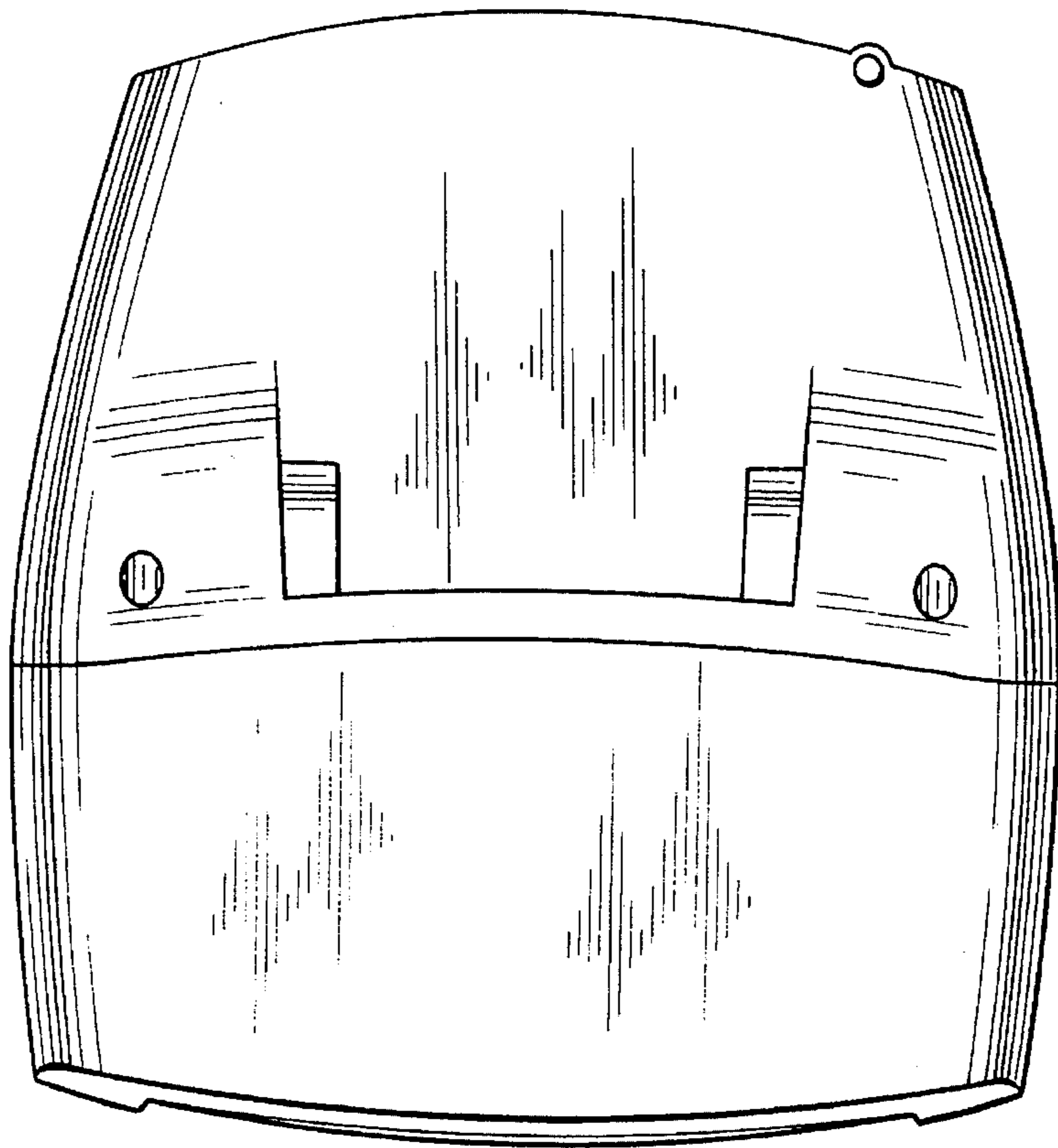


FIG. 4

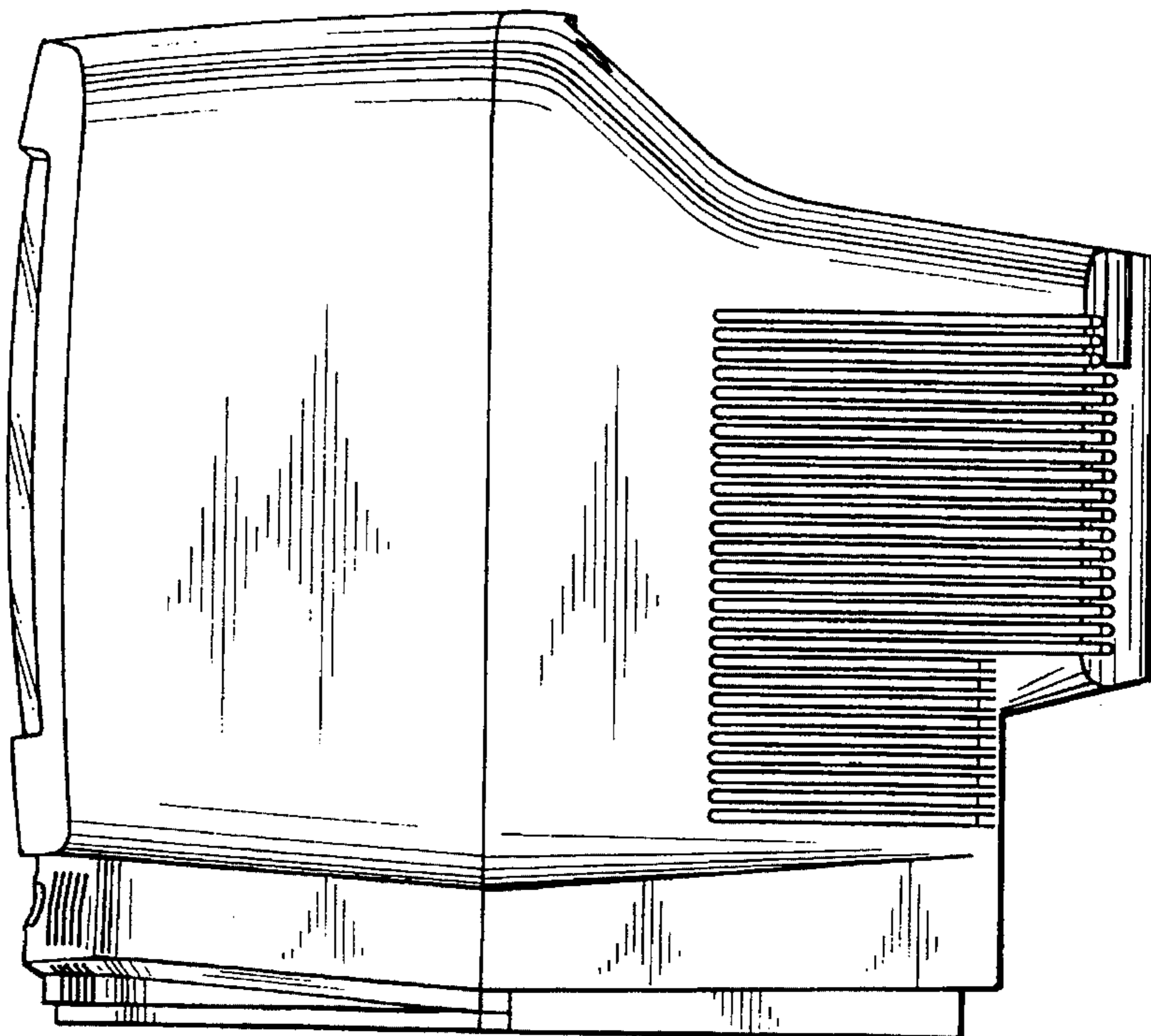


FIG. 5

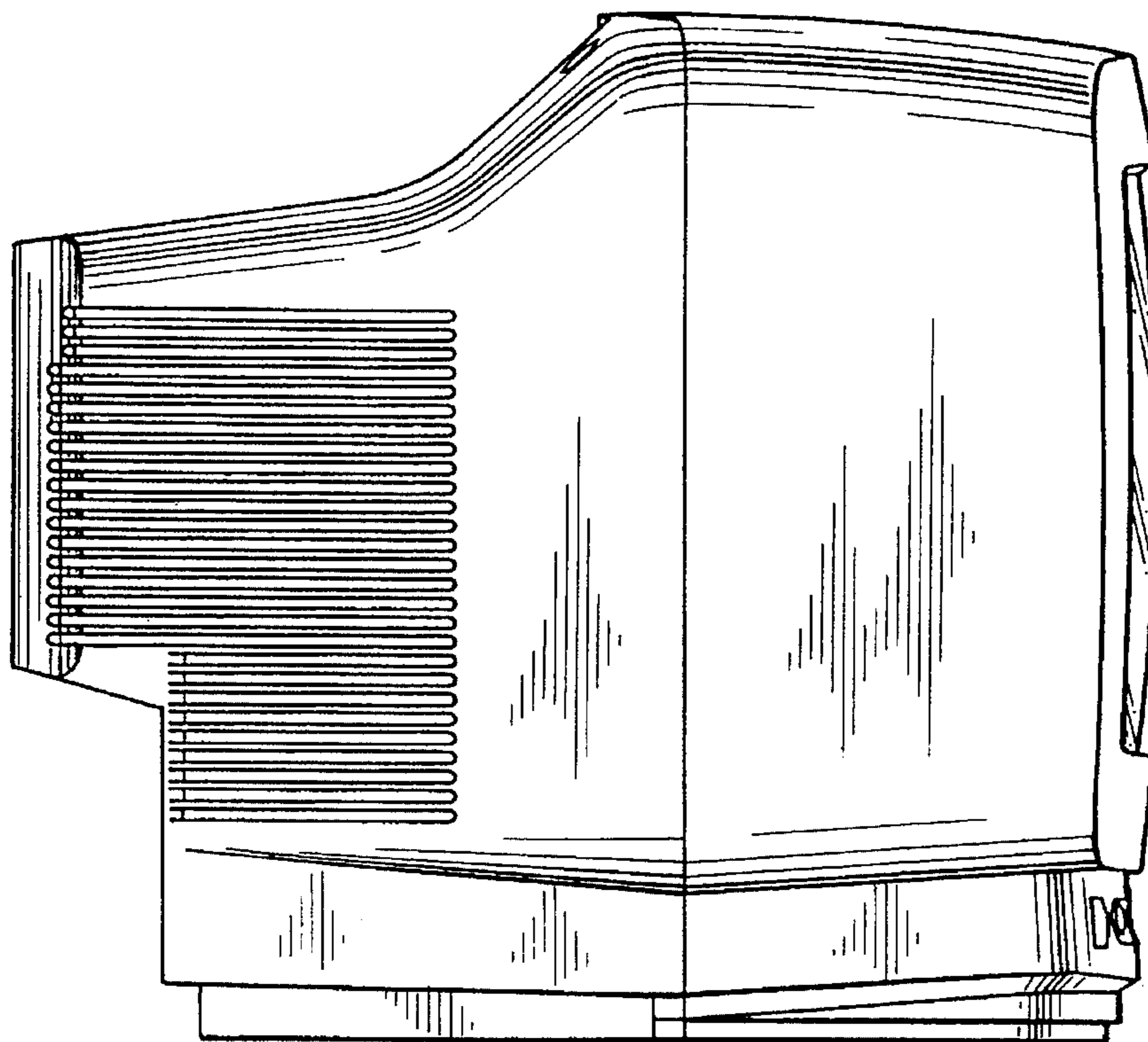
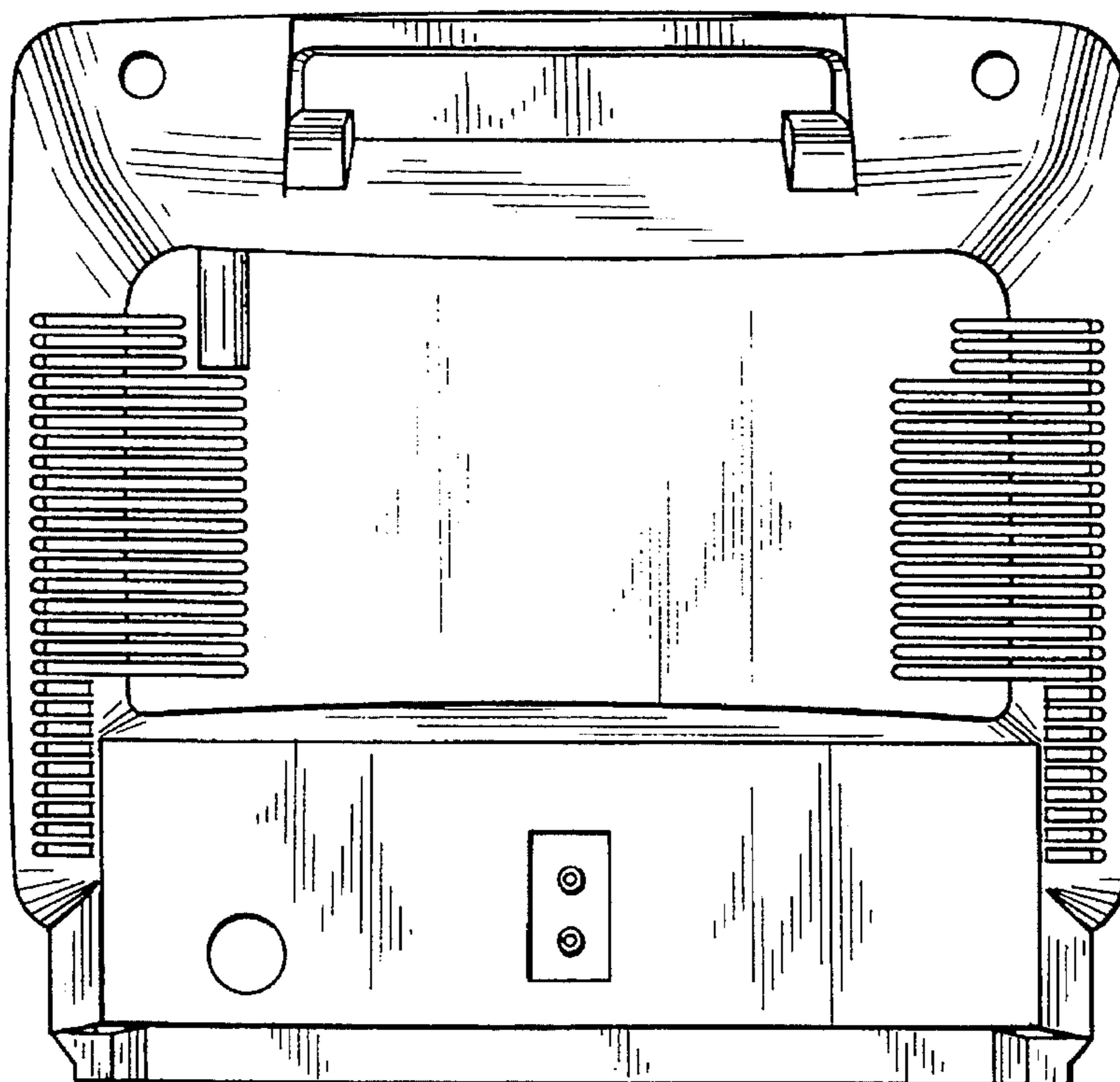


FIG. 6



*FIG. 7*

