



US00D377009S

United States Patent [19]

Crane, Jr. et al.

[11] Patent Number: **Des. 377,009**

[45] Date of Patent: ****Dec. 31, 1996**

[54] **COMPUTER CABINET WITH EXTENDING SPEAKERS**

[75] Inventors: **Stanford W. Crane, Jr.**, Boca Raton; **Bruce Smith**, Jupiter, both of Fla.; **Aaron Lown**, New York, N.Y.; **Jon P. Otis**, New York, N.Y.; **Richard J. Schneebeli, Jr.**, New York, N.Y.; **Stephen G. Burks**, Brooklyn, N.Y.

[73] Assignee: **The Panda Project**, Boca Raton, Fla.

[**] Term: **14 Years**

[21] Appl. No.: **46,826**

[22] Filed: **Nov. 16, 1995**

[52] U.S. Cl. **D14/106**; D14/129

[58] Field of Search D14/100, 101, D14/106, 113, 124-127, 115, 131, 204; D18/1, 7; 235/145 A, 145 R; 345/104, 156, 168, 173, 901-905, 87; 361/679-686; 364/708.1, 709.04, 709.12; D6/422, 449, 425, 429, 432, 436, 396, 509

[56] **References Cited**

U.S. PATENT DOCUMENTS

D. 316,714	5/1991	Matsumoto	D14/126
D. 324,044	2/1992	Katayama	D14/129
D. 338,003	8/1993	Nakayama	D14/129 X
D. 367,853	3/1996	Iino et al.	D14/107

Primary Examiner—Freda Nunn

Attorney, Agent, or Firm—Morgan, Lewis and Bockius LLP

[57] **CLAIM**

The ornamental design for a computer cabinet with extending speakers, shown and described.

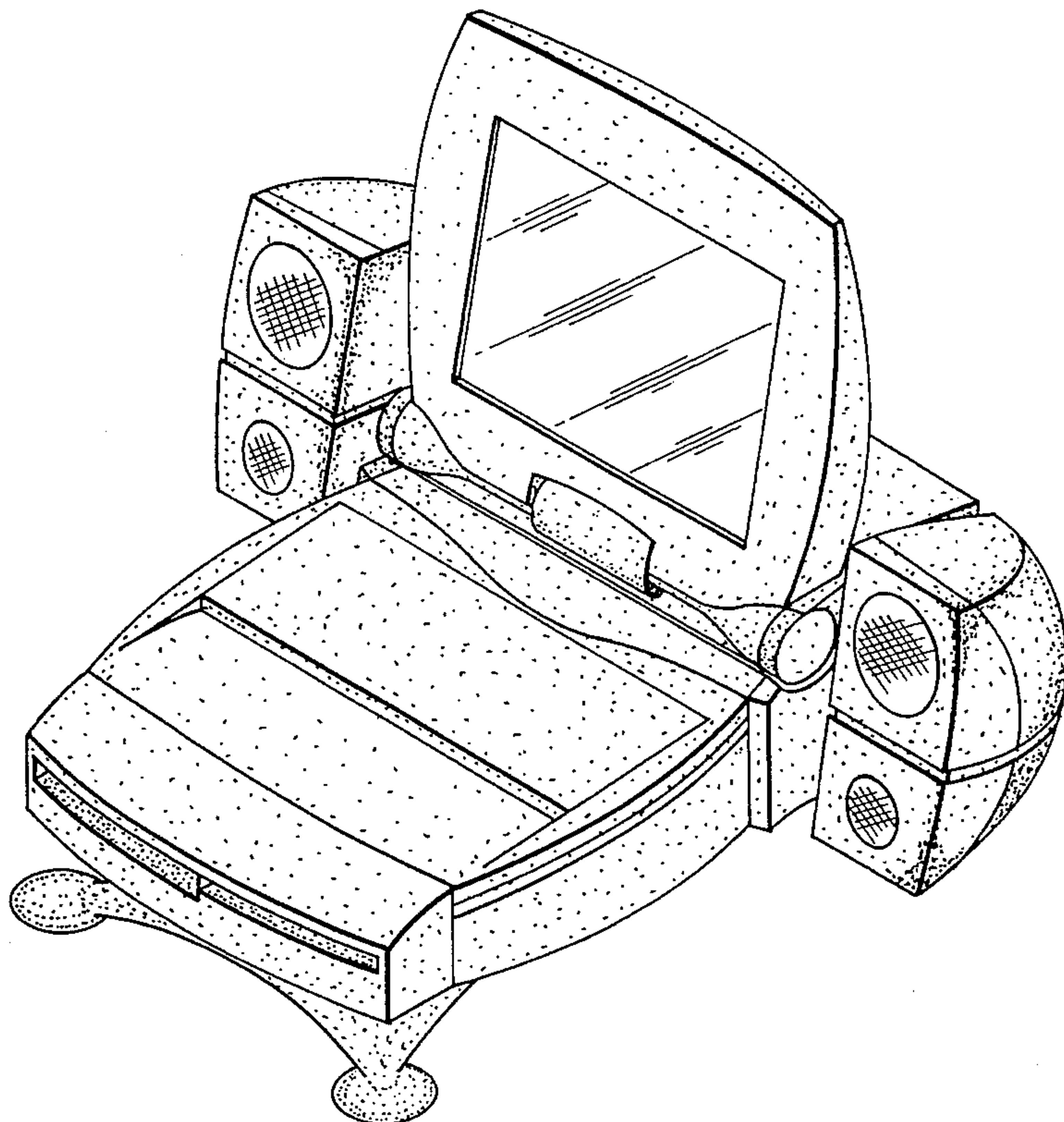
DESCRIPTION

FIG. 1 is a perspective view of the computer cabinet in the normal operating position with the display screen opened; FIG. 2 is a perspective view of the computer cabinet in the stored position with the display screen closed; FIG. 3 is a front view of the computer cabinet in the normal operating position with the display screen open; FIG. 4 is a rear view of the computer cabinet in the normal operating position with the display screen open; FIG. 5 is a left side view of the computer cabinet in the normal operating position with the display screen open; FIG. 6 is a front view of the computer cabinet in the normal operating position with the display closed; FIG. 7 is a rear view of the computer cabinet in the stored position with the display screen closed; FIG. 8 is a left side view of the computer cabinet in the stored position with the display screen closed; and, FIG. 9 is a top view of the computer cabinet in the stored position with the display screen closed.

The speaker screens are partially shown in the figures for ease of illustration only and they are understood to continue uniformly across each of the indicated surfaces.

The right side view of the computer cabinet is a mirror image of the left side view, and the bottom view is plain and unornamented.

1 Claim, 9 Drawing Sheets



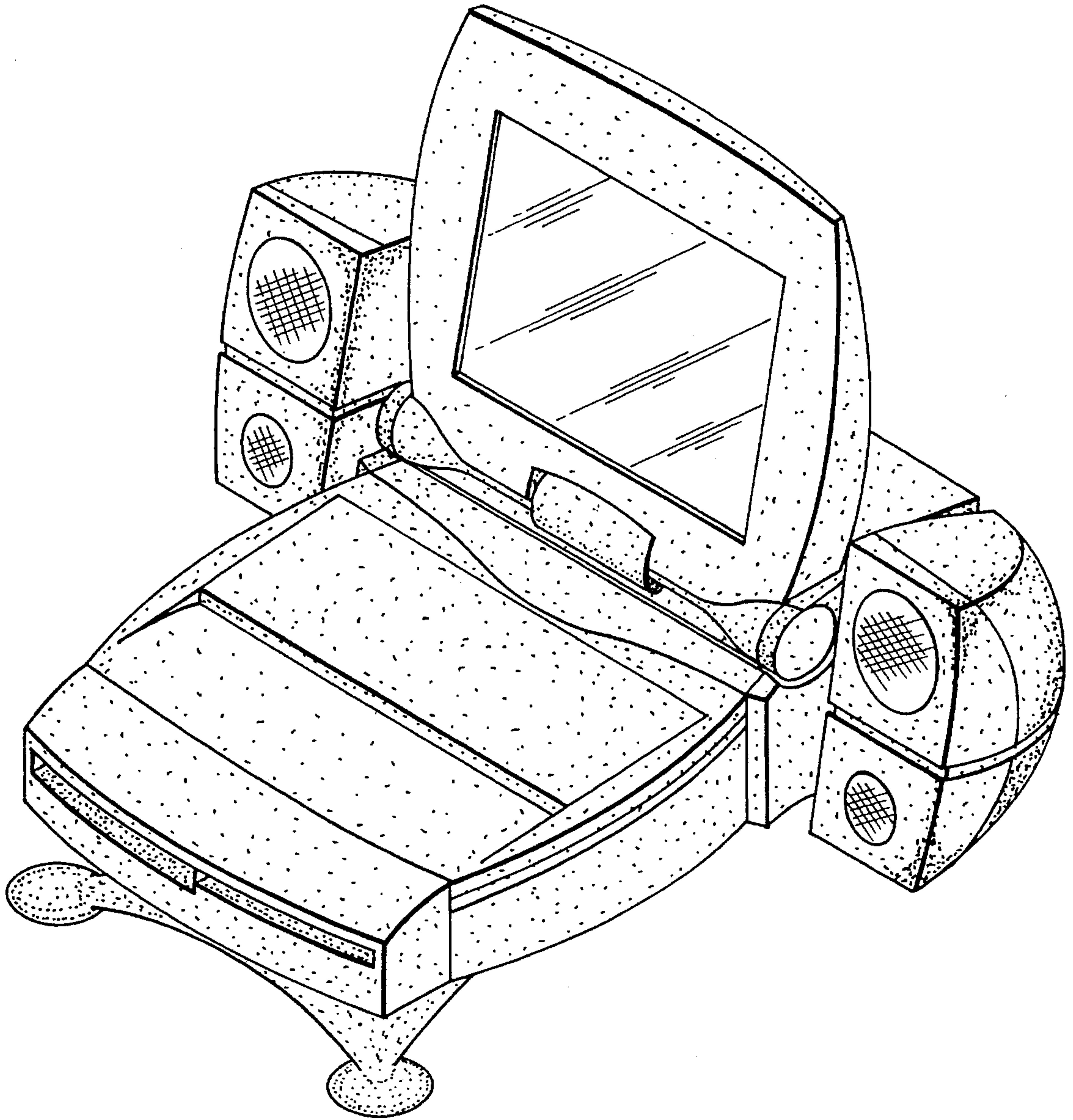


FIG. 1

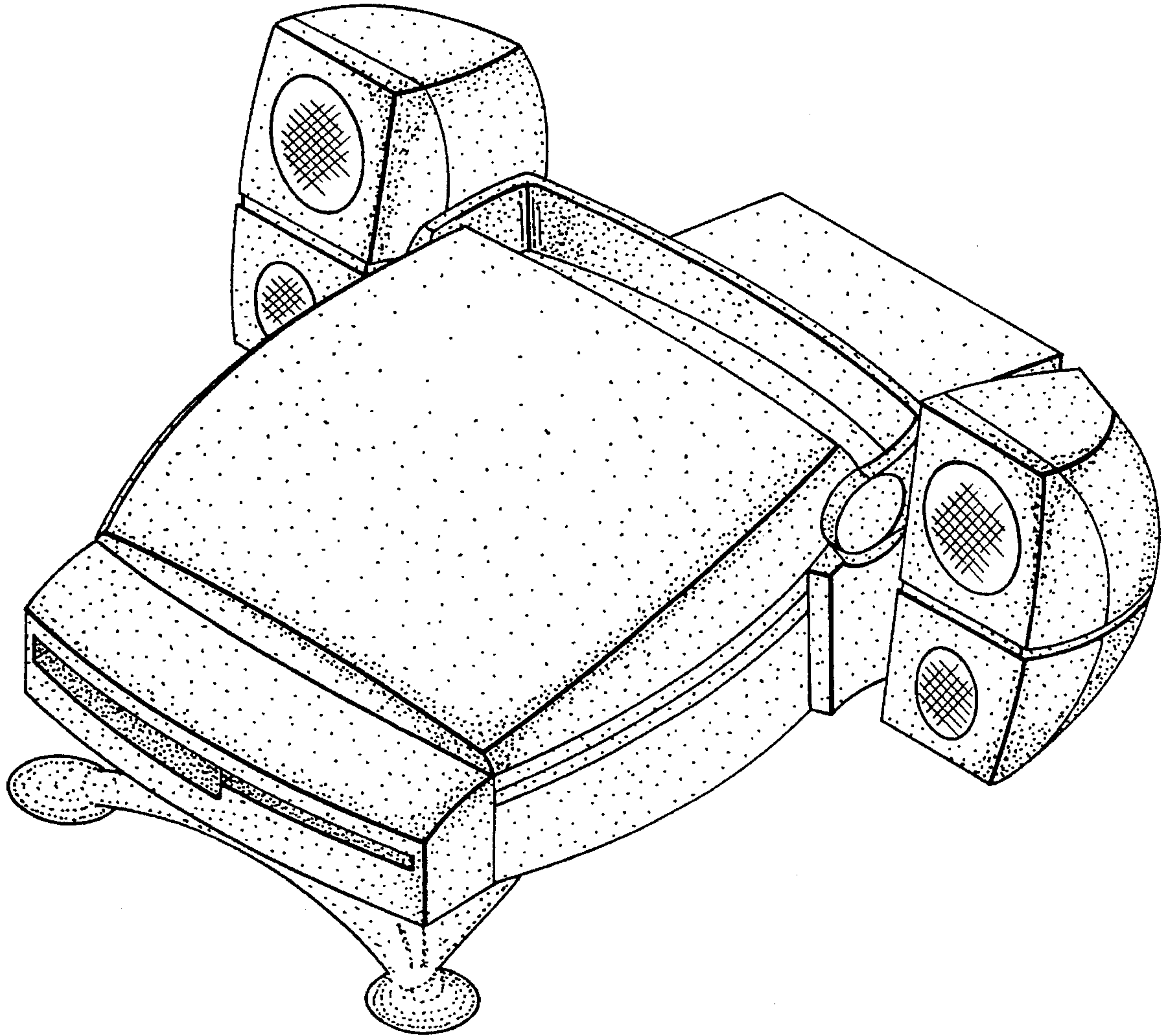


FIG. 2

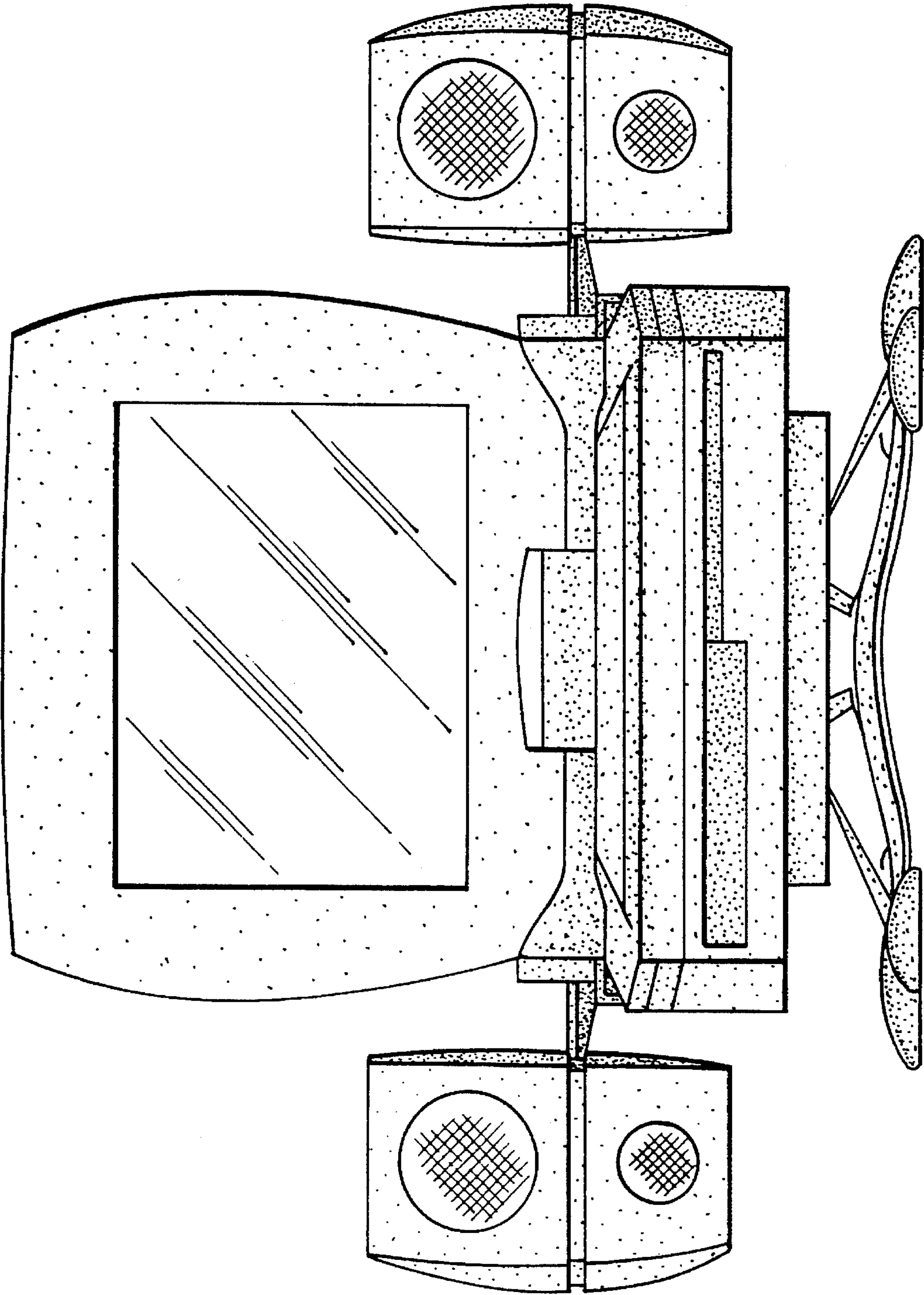


FIG. 3

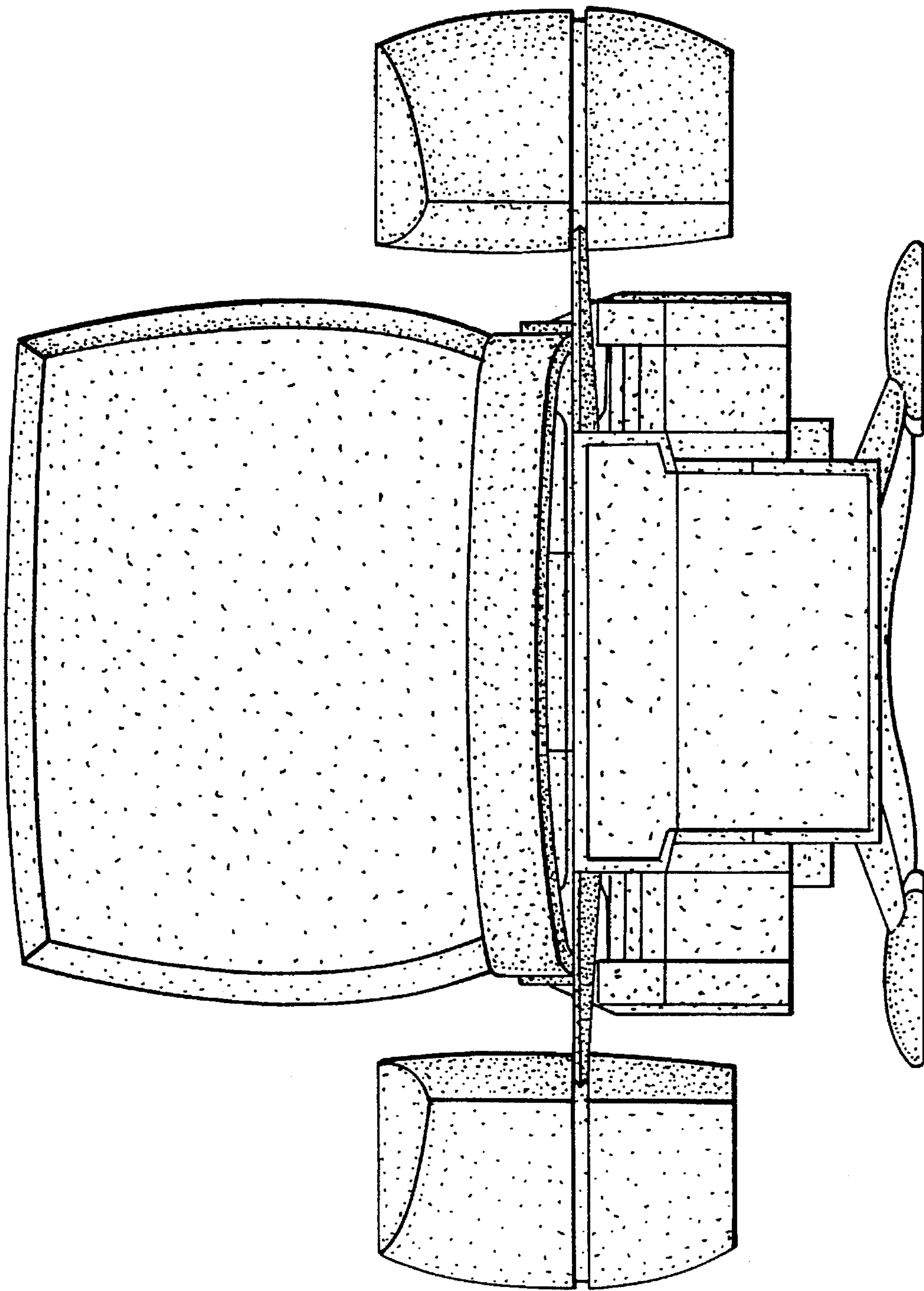


FIG. 4

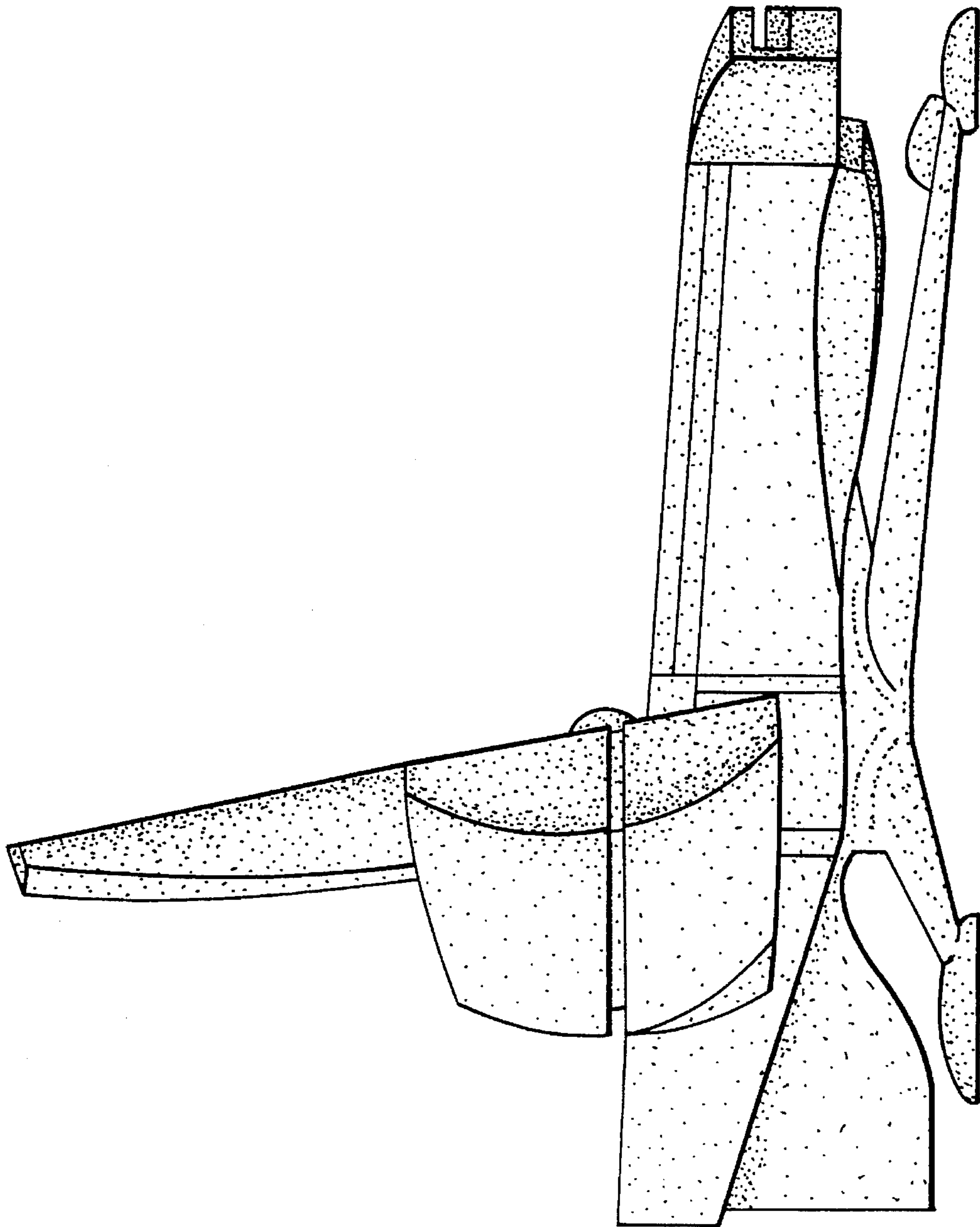


FIG. 5

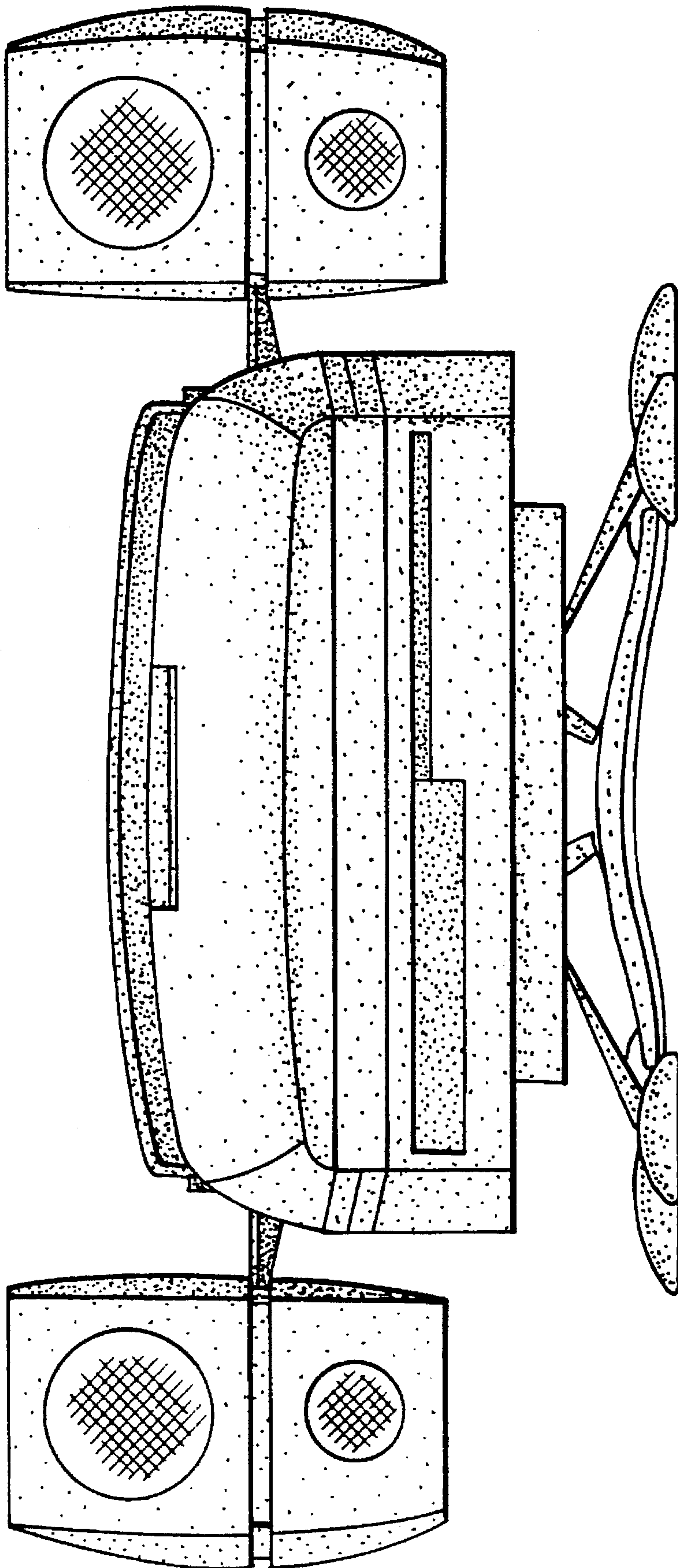


FIG. 6

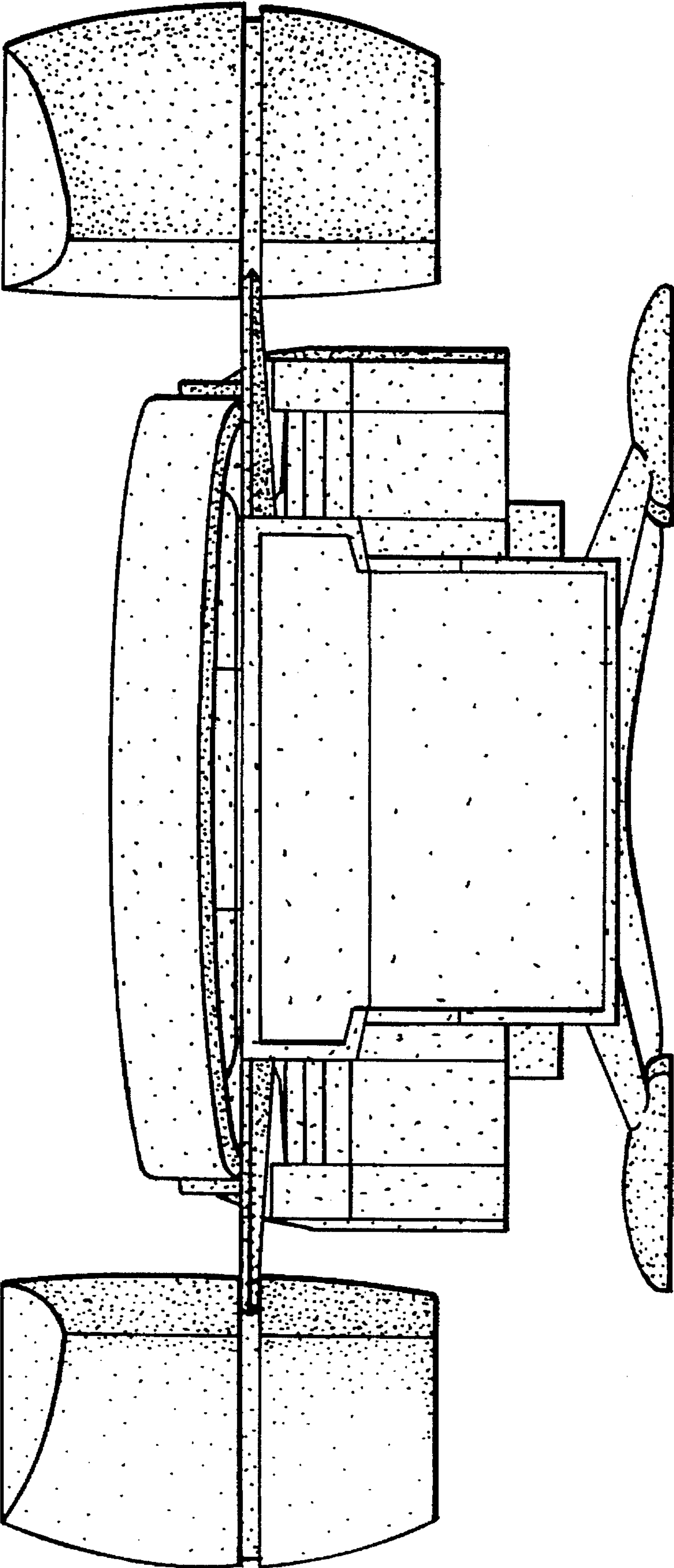


FIG. 7

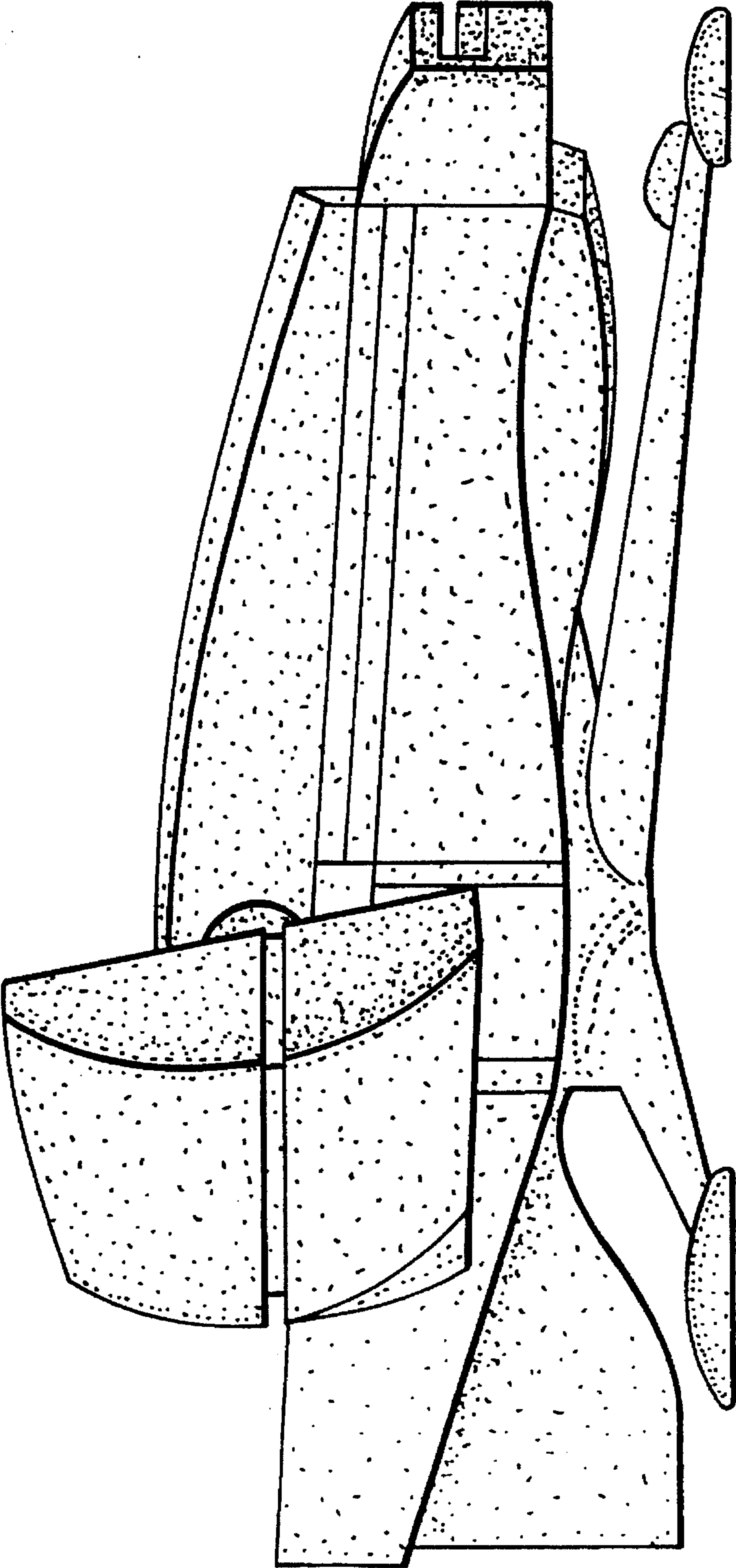


FIG. 8

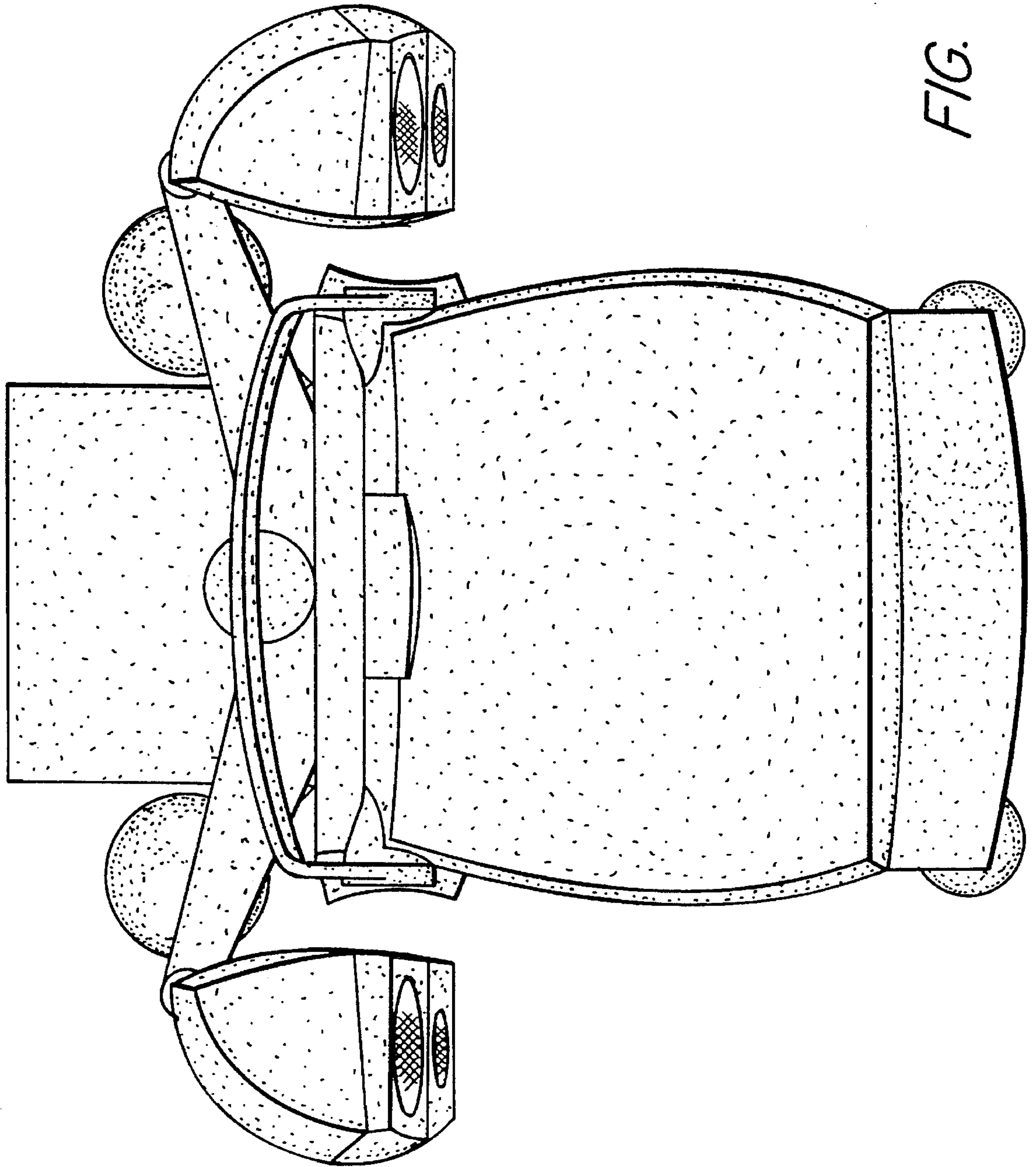


FIG. 9