



US00D377008S

# United States Patent [19]

Nicklos et al.

[11] Patent Number: **Des. 377,008**

[45] Date of Patent: **\*\*Dec. 31, 1996**

[54] **COMPUTER DATA STORAGE DEVICE**

[75] Inventors: **Carl F. Nicklos**, Ogden, Utah; **Nicholas Brawne**, Columbus, Ohio

[73] Assignee: **Iomega Corporation**, Roy, Utah

[\*\*] Term: **14 Years**

[21] Appl. No.: **48,746**

[22] Filed: **Aug. 25, 1995**

[52] U.S. Cl. .... **D14/100**; D14/106

[58] Field of Search ..... D14/100, 102, D14/106, 107; D13/162, 184, 199; D6/432, 436, 445, 448; 361/680-690

[56] **References Cited**

**U.S. PATENT DOCUMENTS**

- D. 311,740 10/1990 Wagner ..... D14/107
- D. 336,077 6/1993 Barry et al. .... D14/106

*Primary Examiner*—Freda Nunn  
*Attorney, Agent, or Firm*—Woodcock Washburn Kurtz Mackiewicz & Norris

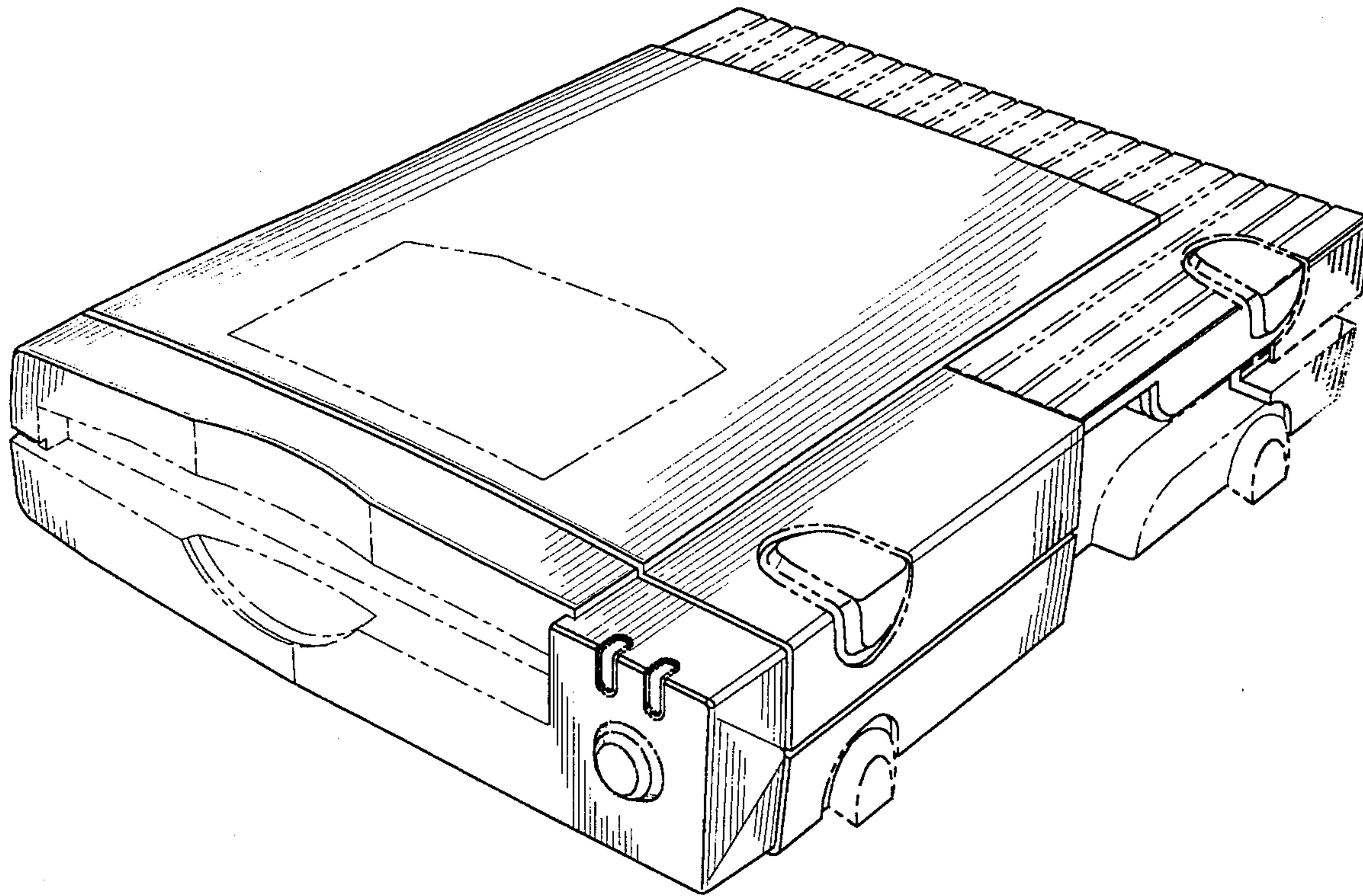
[57] **CLAIM**

The ornamental design for a “computer data storage device,” as shown and described.

**DESCRIPTION**

FIG. 1 is a perspective view of a computer data storage device showing our new design;  
 FIG. 2 is a front elevational view thereof;  
 FIG. 3 is a side elevational view thereof;  
 FIG. 4 is a top plan view thereof;  
 FIG. 5 is a bottom plan view thereof;  
 FIG. 6 is a side elevational view thereof opposite that shown in FIG. 3; and,  
 FIG. 7 is a rear elevational view thereof.  
 The broken lines are shown in the views for illustrative purposes only and form no part of the claimed design.

**1 Claim, 7 Drawing Sheets**



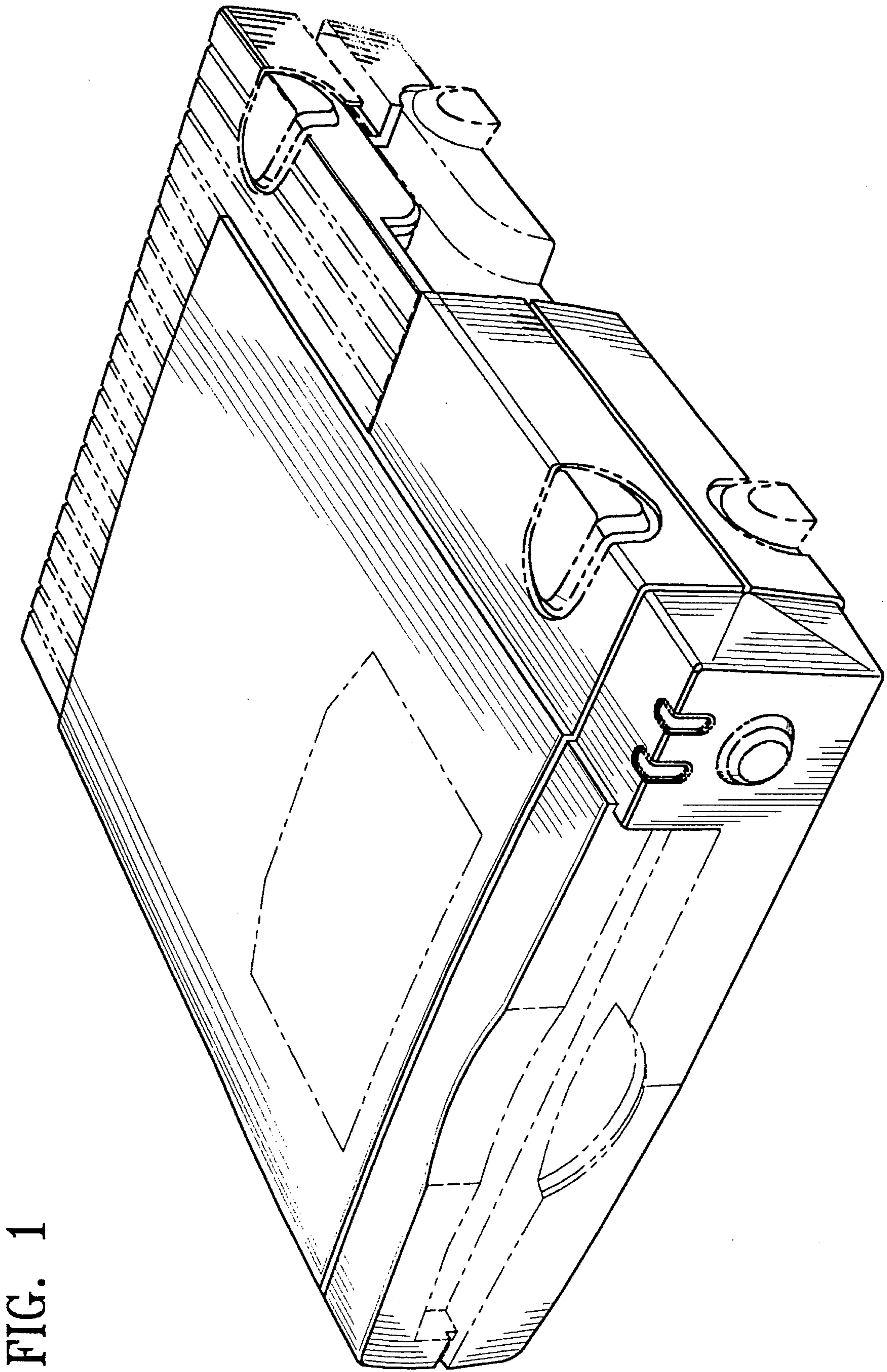


FIG. 1

FIG. 2

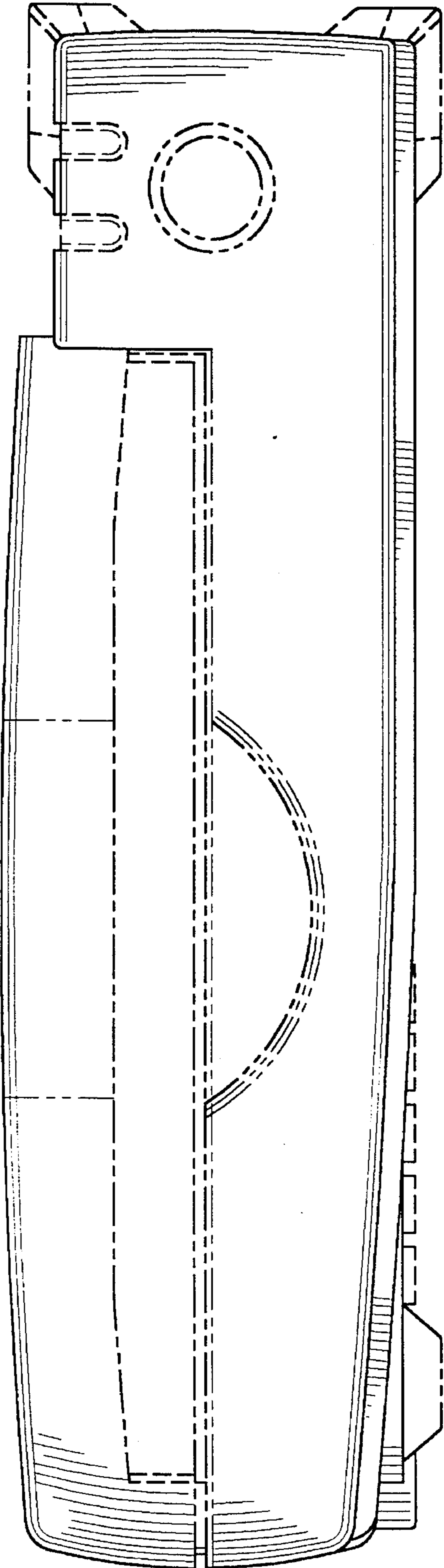
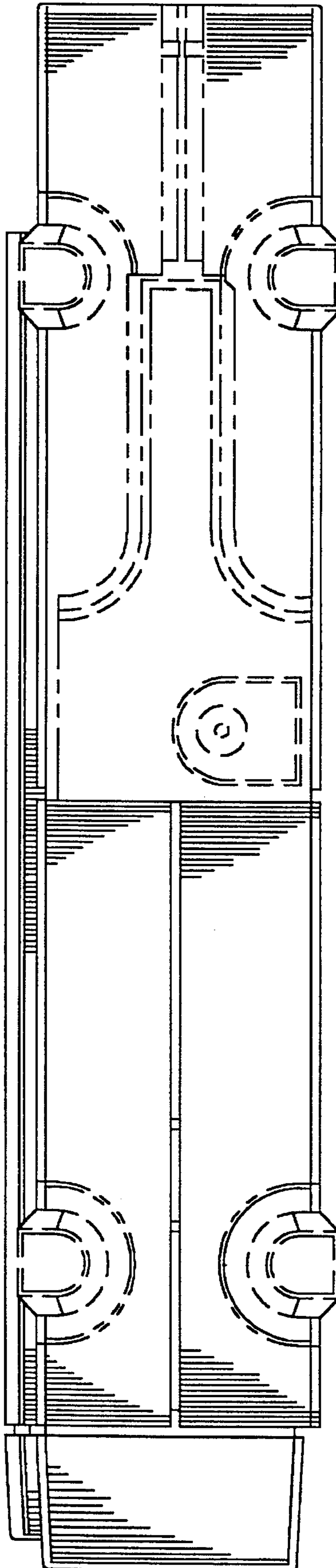




FIG. 3



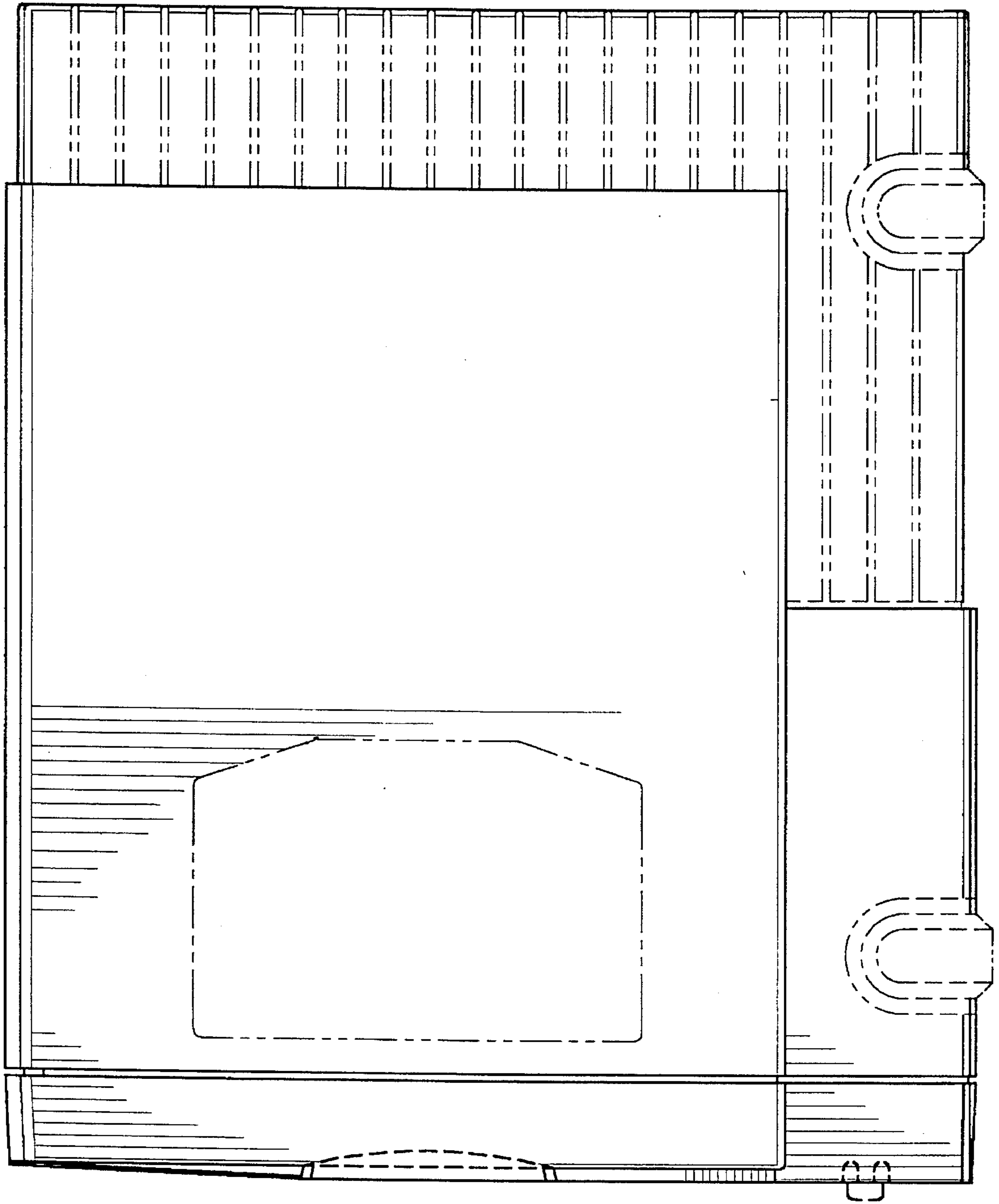


FIG. 4

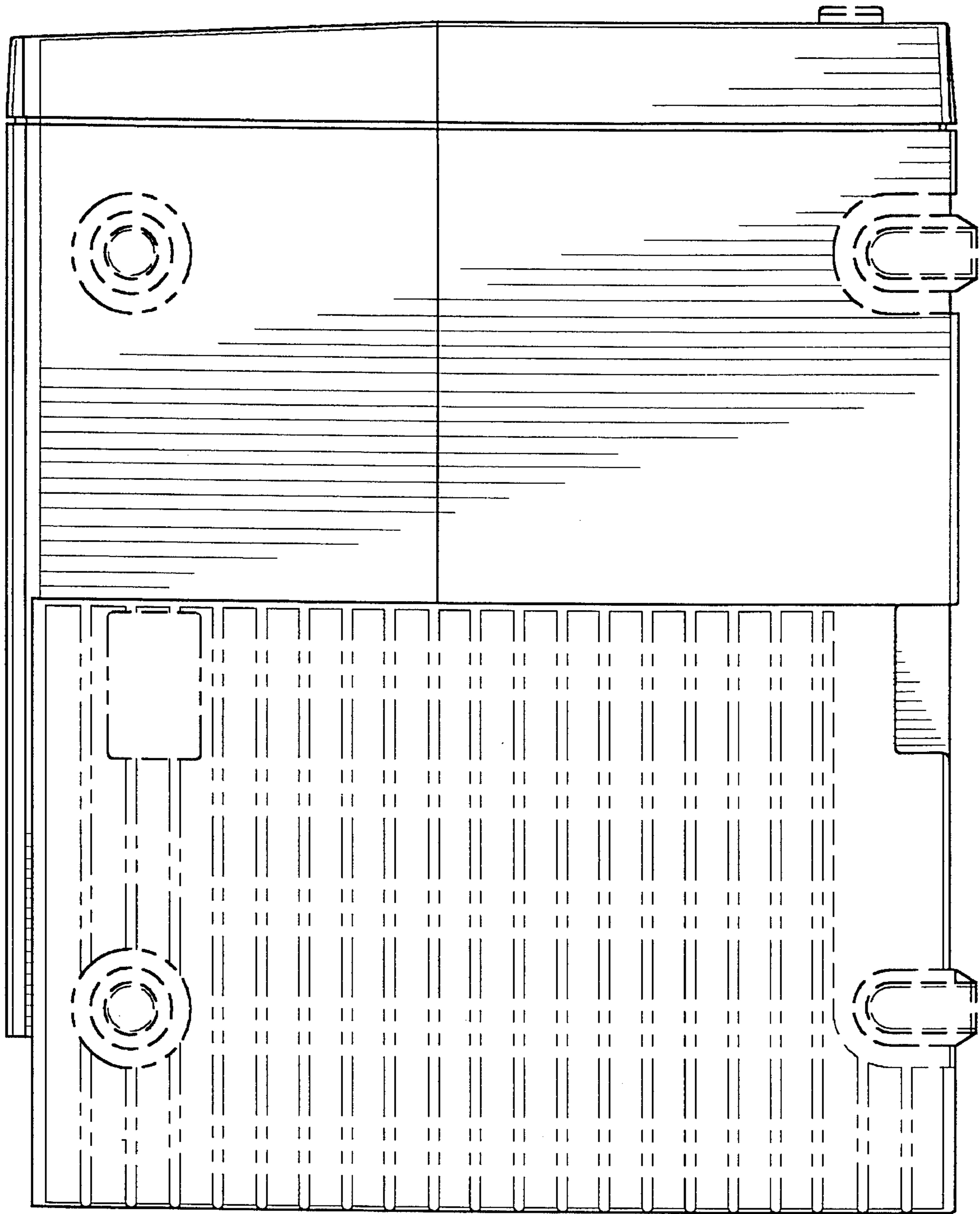


FIG. 5

FIG. 6

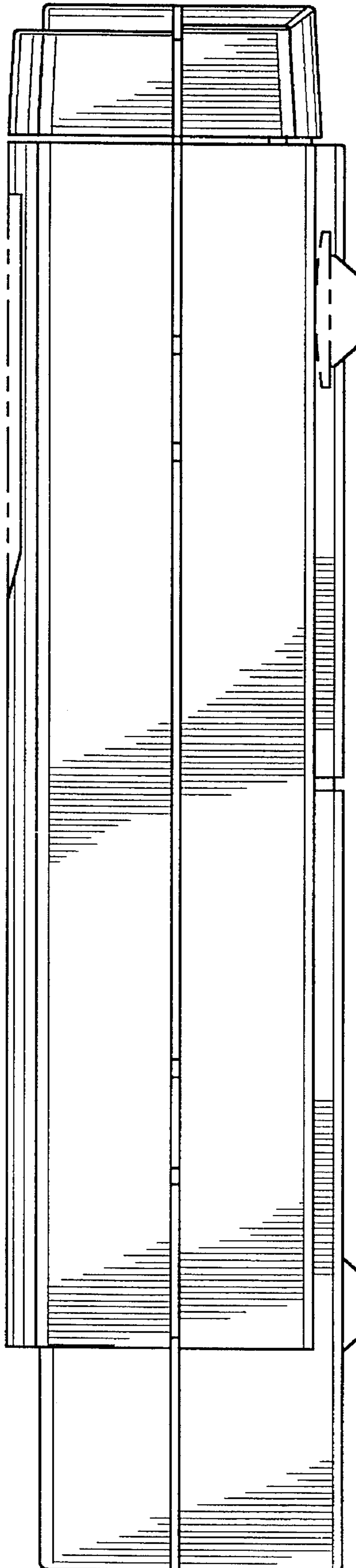


FIG. 7

