



US00D377005S

United States Patent [19] Lin

[11] Patent Number: **Des. 377,005**

[45] Date of Patent: ****Dec. 31, 1996**

[54] LAMP SOCKET

5,129,829 7/1992 Arnold et al. 439/56

[75] Inventor: **Ching-fang Lin**, Taipei Hsien, Taiwan

Primary Examiner—Holly Baynham

Attorney, Agent, or Firm—Morton J. Rosenberg; David I. Klein

[73] Assignee: **Golo Chang Company Ltd.**, Taipei Hsien, Taiwan

[57] CLAIM

[**] Term: **14 Years**

The ornamental design for a lamp socket, as shown and described.

[21] Appl. No.: **42,828**

DESCRIPTION

[22] Filed: **Aug. 18, 1995**

[52] U.S. Cl. **D13/134**

FIG. 1 is a front-right-top perspective view of a lamp socket, showing my new design;

[58] Field of Search D13/134; 439/356, 439/56-57, 419, 271, 574-575; 362/427, 226; D26/2

FIG. 2 is a front view thereof, the rear view being a mirror image;

FIG. 3 is a right side view thereof, the opposite side view being a mirror image;

FIG. 4 is a top view thereof; and,

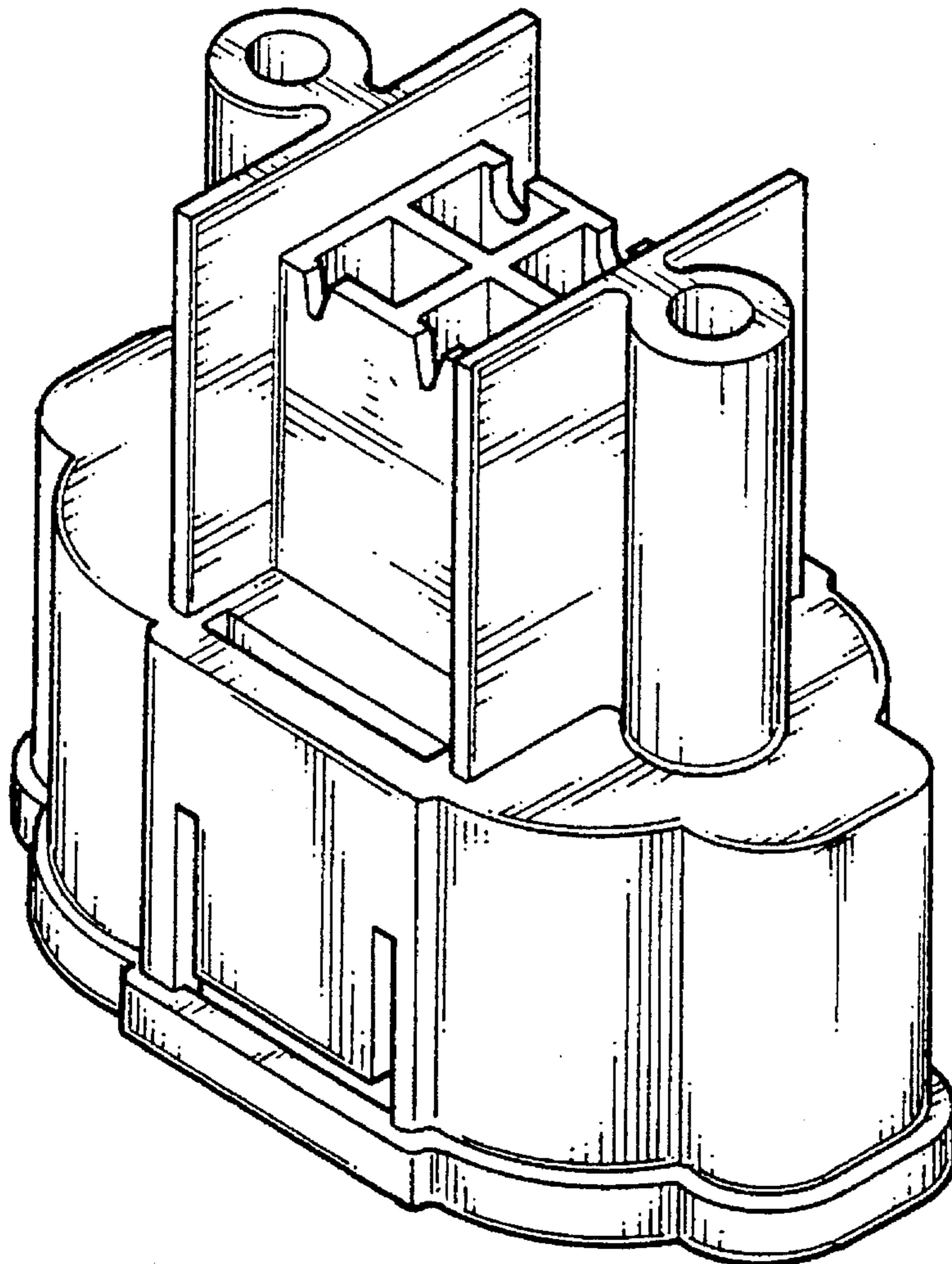
FIG. 5 is a bottom view thereof.

[56] References Cited

U.S. PATENT DOCUMENTS

D. 249,019 2/1988 Futatsugi et al. D13/134
3,555,341 1/1971 Curtis 439/57 X

1 Claim, 2 Drawing Sheets



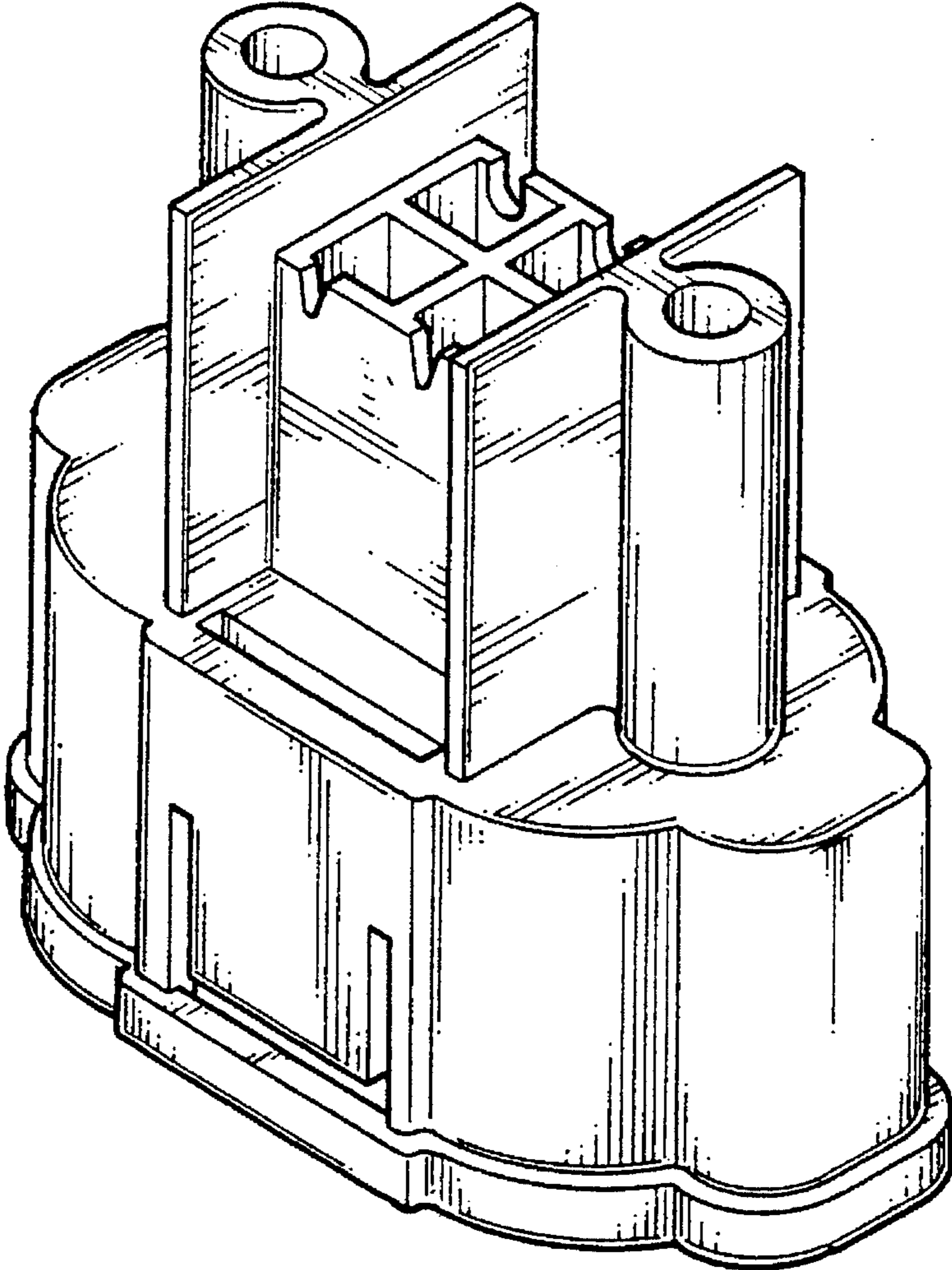


FIG. 1

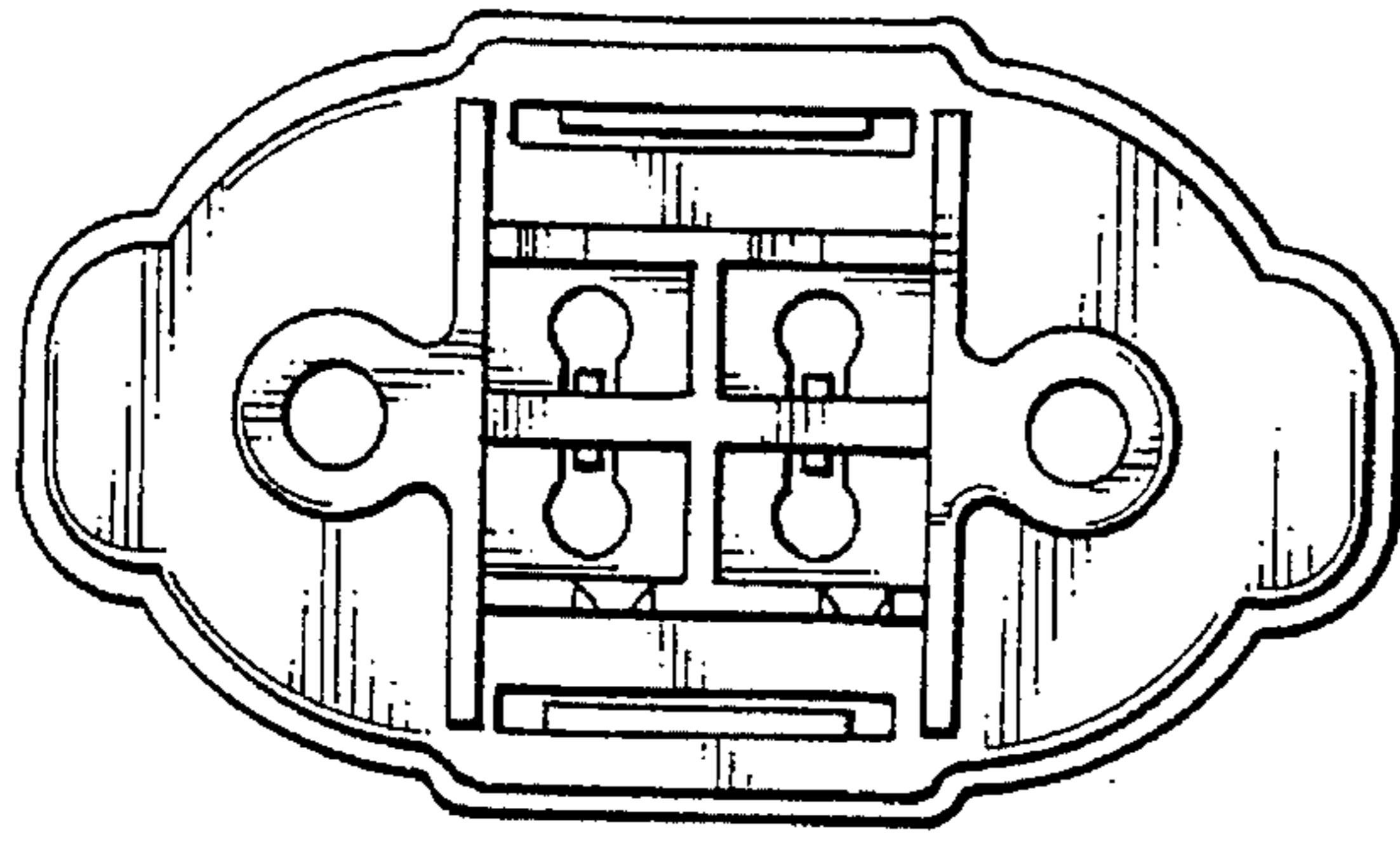


FIG. 4

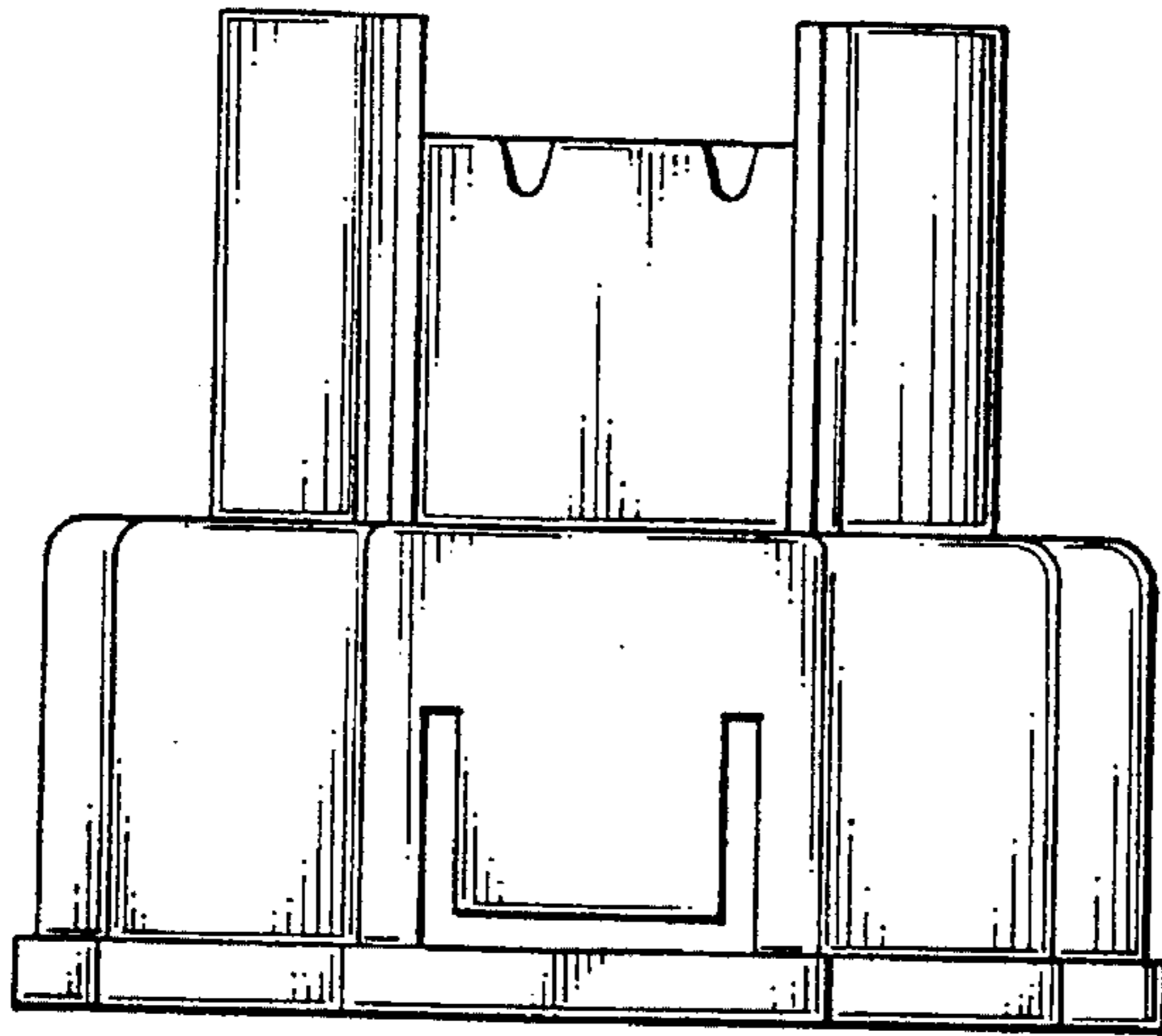


FIG. 2

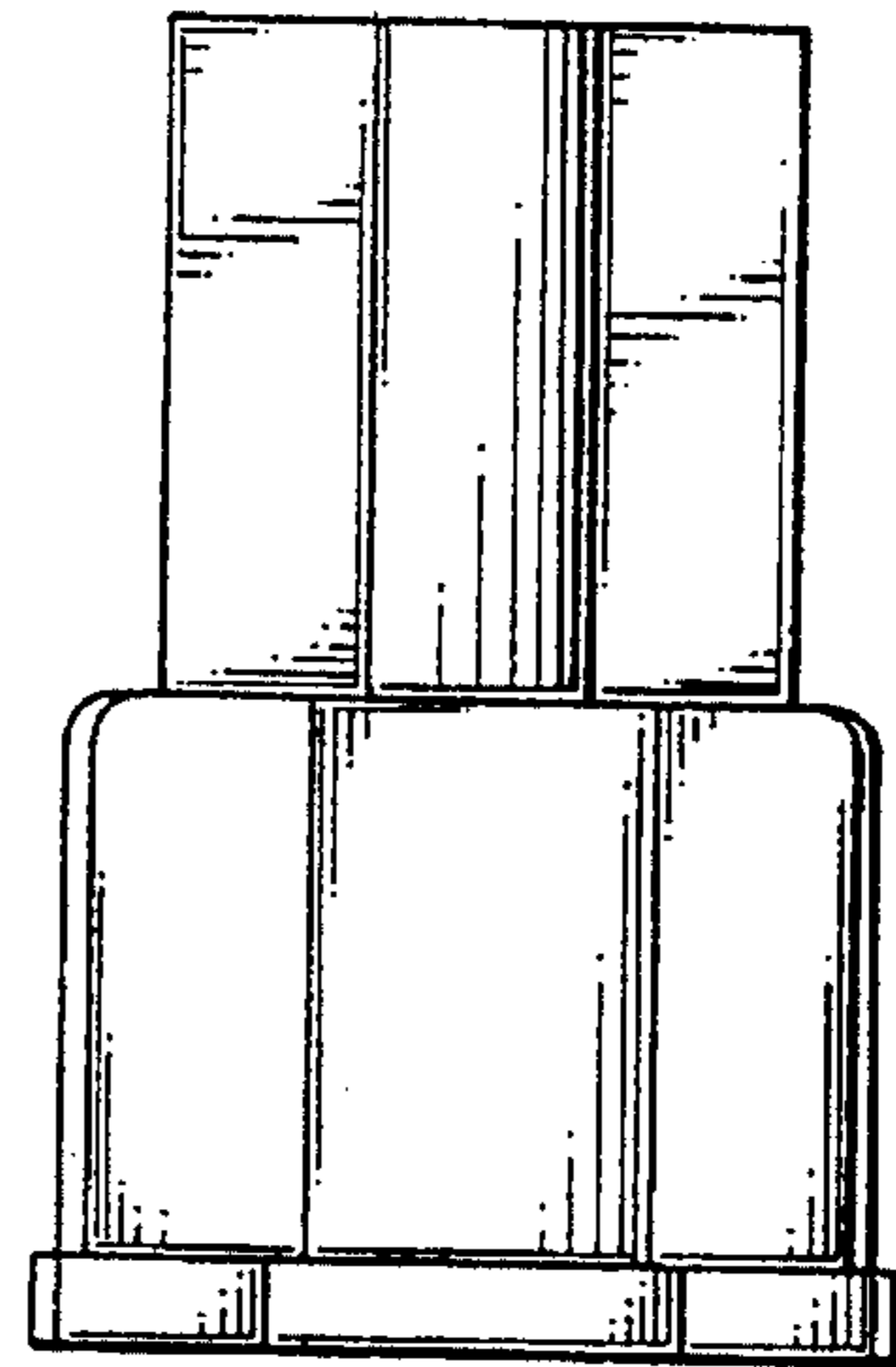


FIG. 3

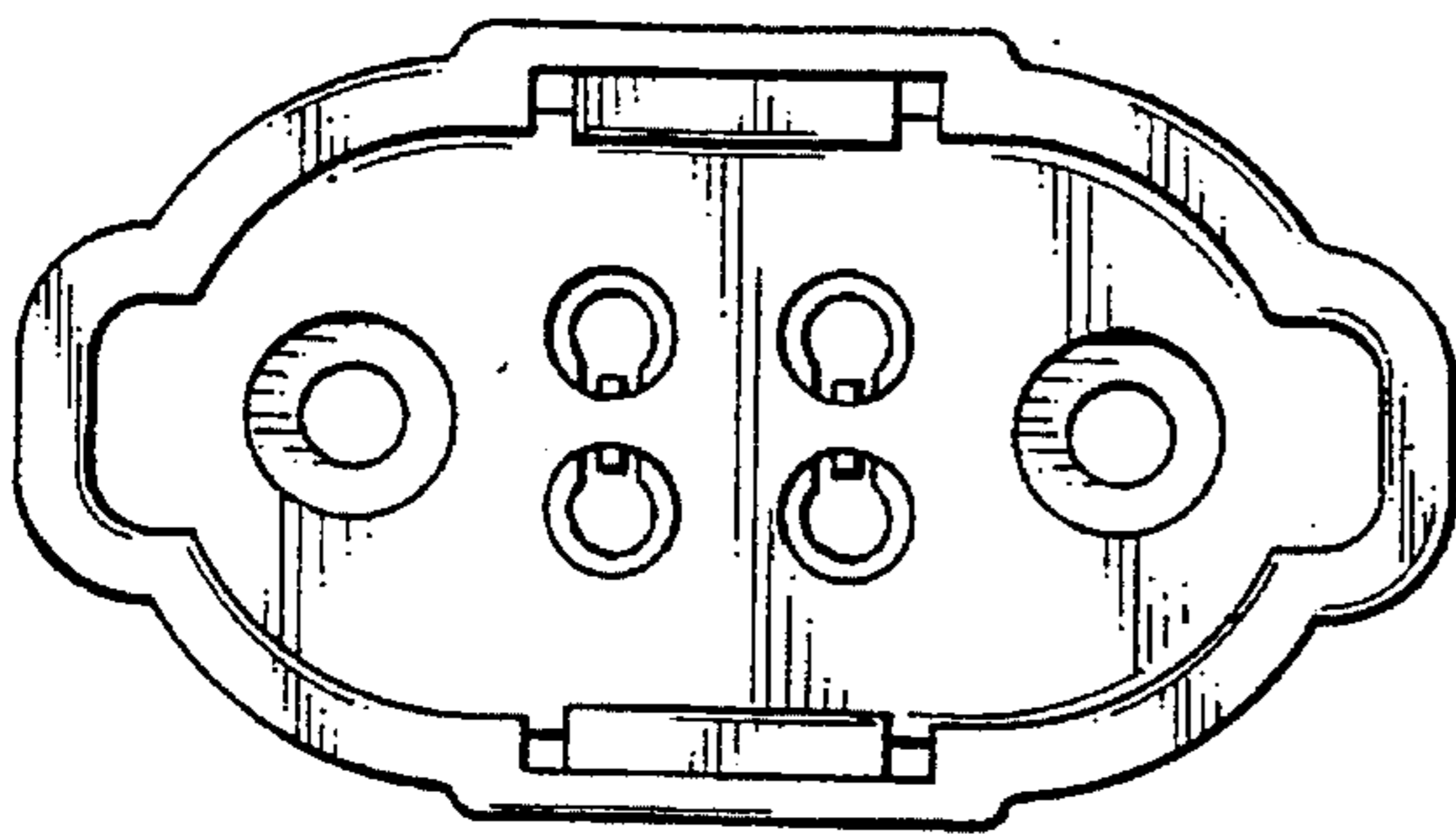


FIG. 5