



US00D377004S

United States Patent [19] Timms

[11] Patent Number: **Des. 377,004**

[45] Date of Patent: ****Dec. 31, 1996**

[54] **CONTAINER FOR ARTICLE STORAGE**

D. 321,159 10/1991 Schlachter D12/401
D. 362,838 10/1995 Price D12/424

[76] Inventor: **Fred W. Timms**, 3095 Tig Knight Rd., Loganville, Ga. 30249

Primary Examiner—Melody N. Brown
Attorney, Agent, or Firm—Hinkle & Associates, P.C.

[**] Term: **14 Years**

[57] **CLAIM**

[21] Appl. No.: **47,652**

The ornamental design for a container for article storage, as shown.

[22] Filed: **Dec. 8, 1995**

[52] U.S. Cl. **D12/423**

DESCRIPTION

[58] Field of Search D12/401, 415, D12/423, 424, 114, 110; 280/288.4, 304.5; 180/219; 296/24.1, 37.1, 37.6; 224/42.11, 42.42, 275, 309, 311, 327, 329

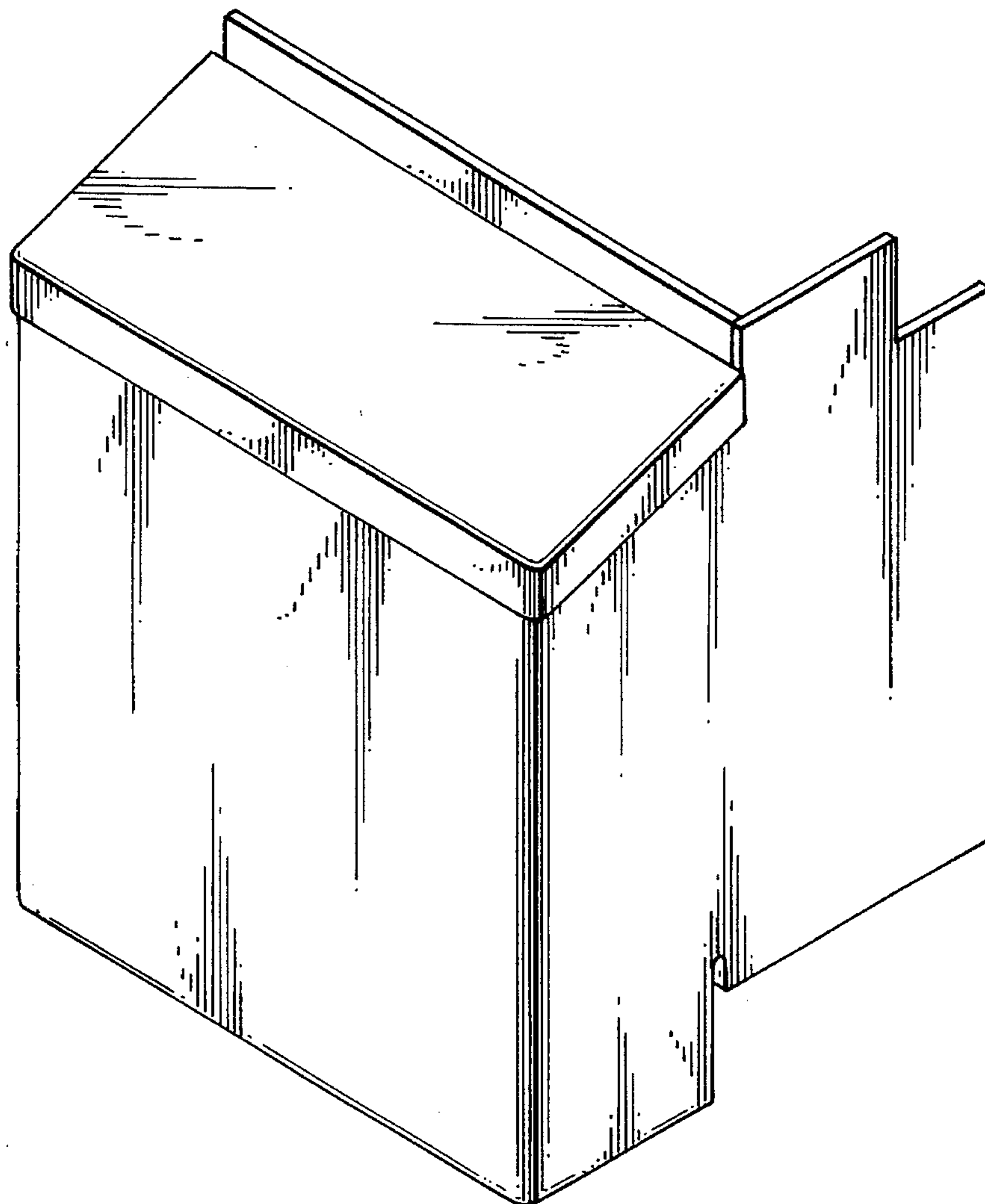
FIG. 1 is a perspective view of my new design for a container for article storage;
FIG. 2 is a rear perspective view thereof;
FIG. 3 is a top view thereof;
FIG. 4 is a front elevation view thereof;
FIG. 5 is a right side elevation view thereof;
FIG. 6 is a left side elevation view thereof;
FIG. 7 is a bottom view thereof; and,
FIG. 8 is a rear view thereof.

[56] **References Cited**

U.S. PATENT DOCUMENTS

D. 257,968 1/1981 Rice D12/424
D. 309,978 8/1990 Fluharty D12/424
D. 312,604 12/1990 Barnes et al. D12/424
D. 319,610 9/1991 Janke D12/401

1 Claim, 5 Drawing Sheets



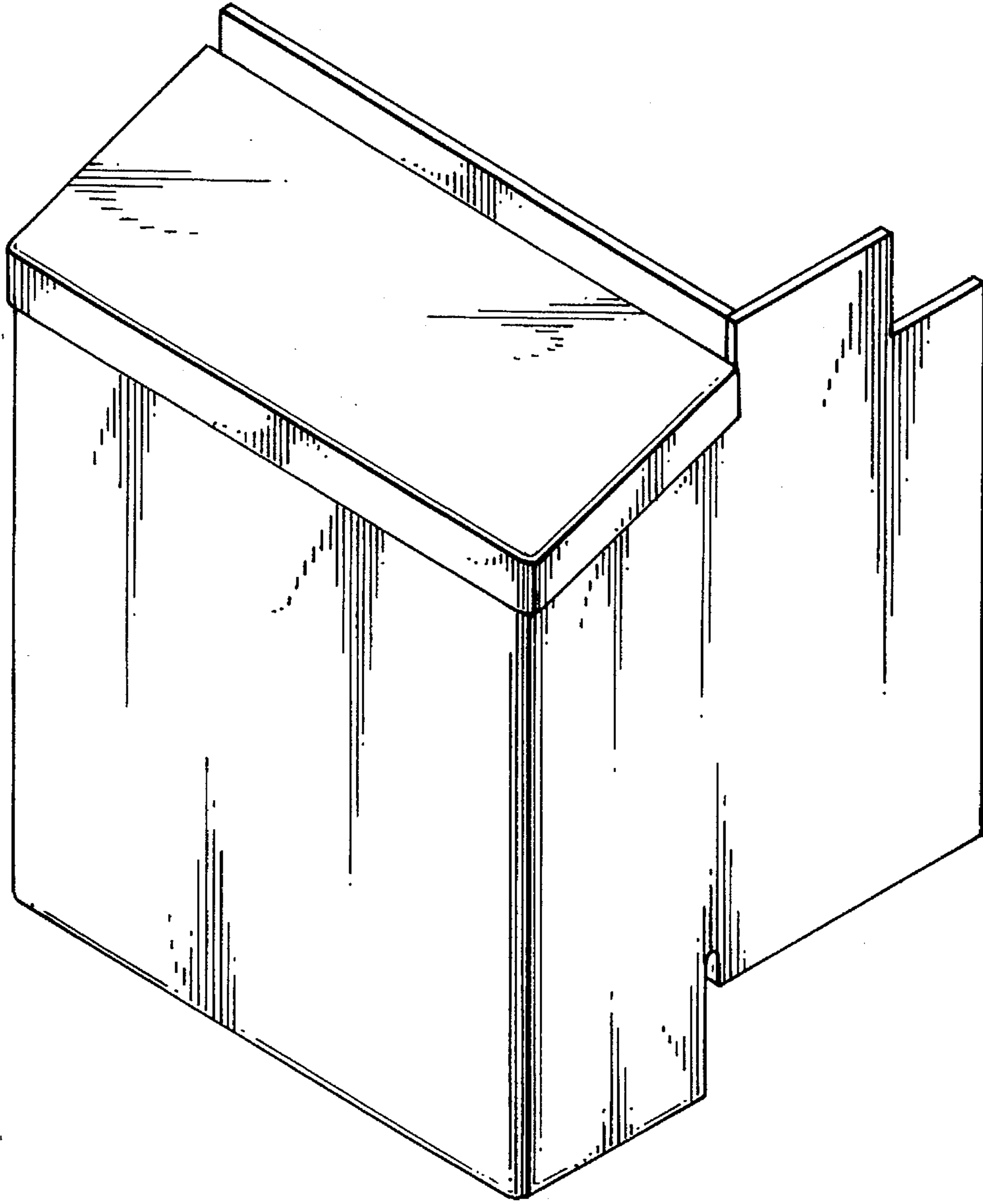


Fig. 1

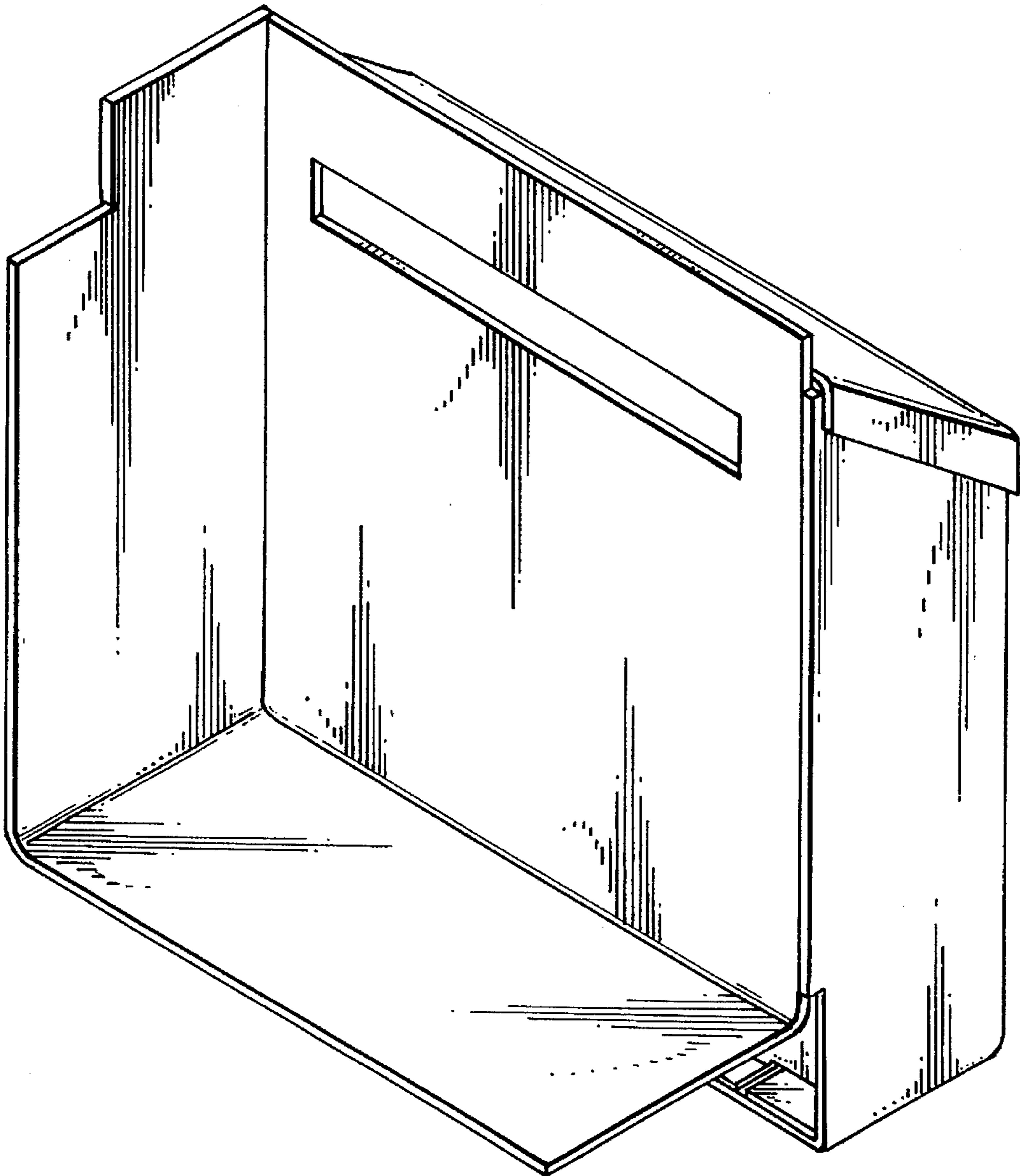


Fig. 2

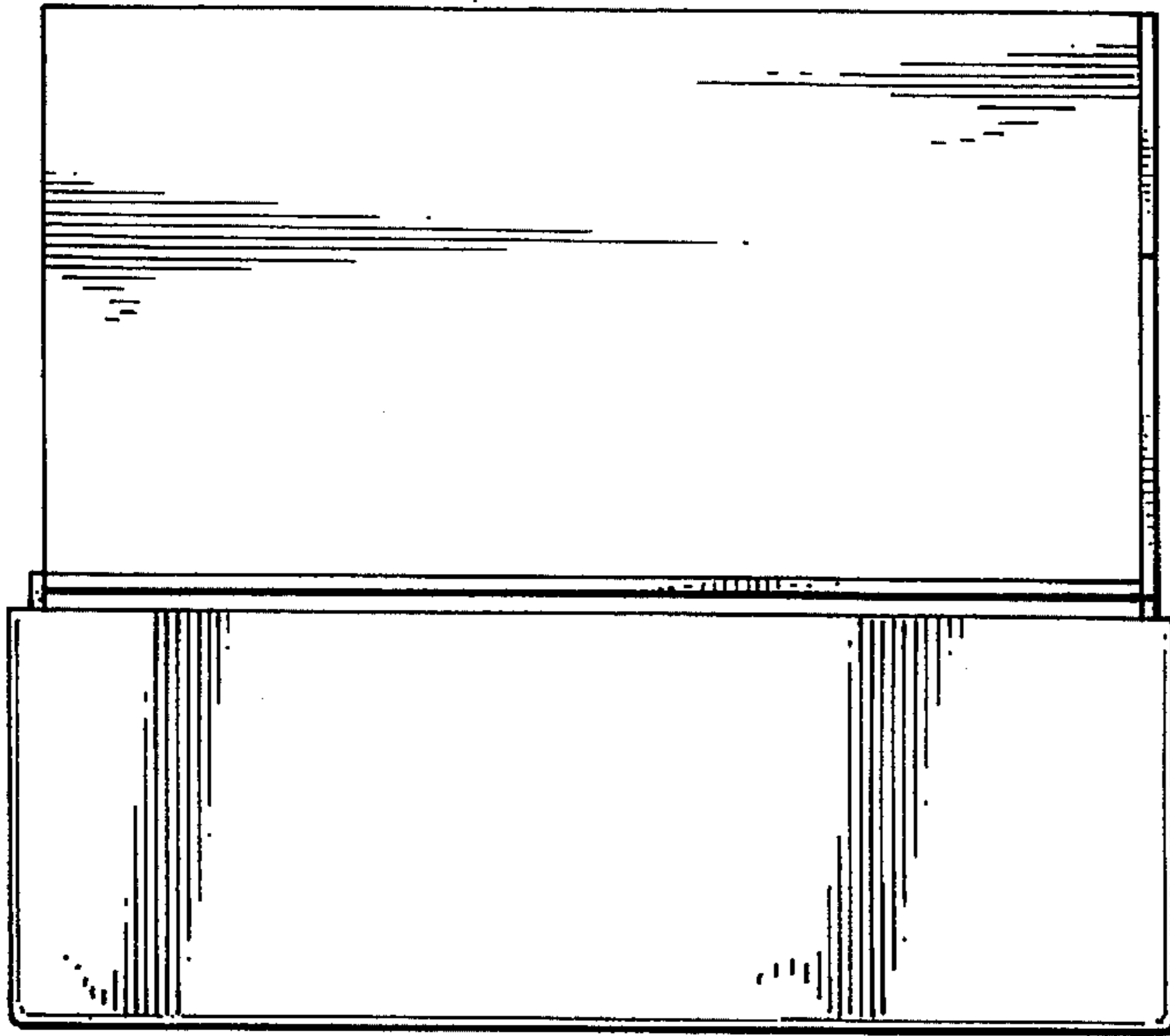


Fig. 3

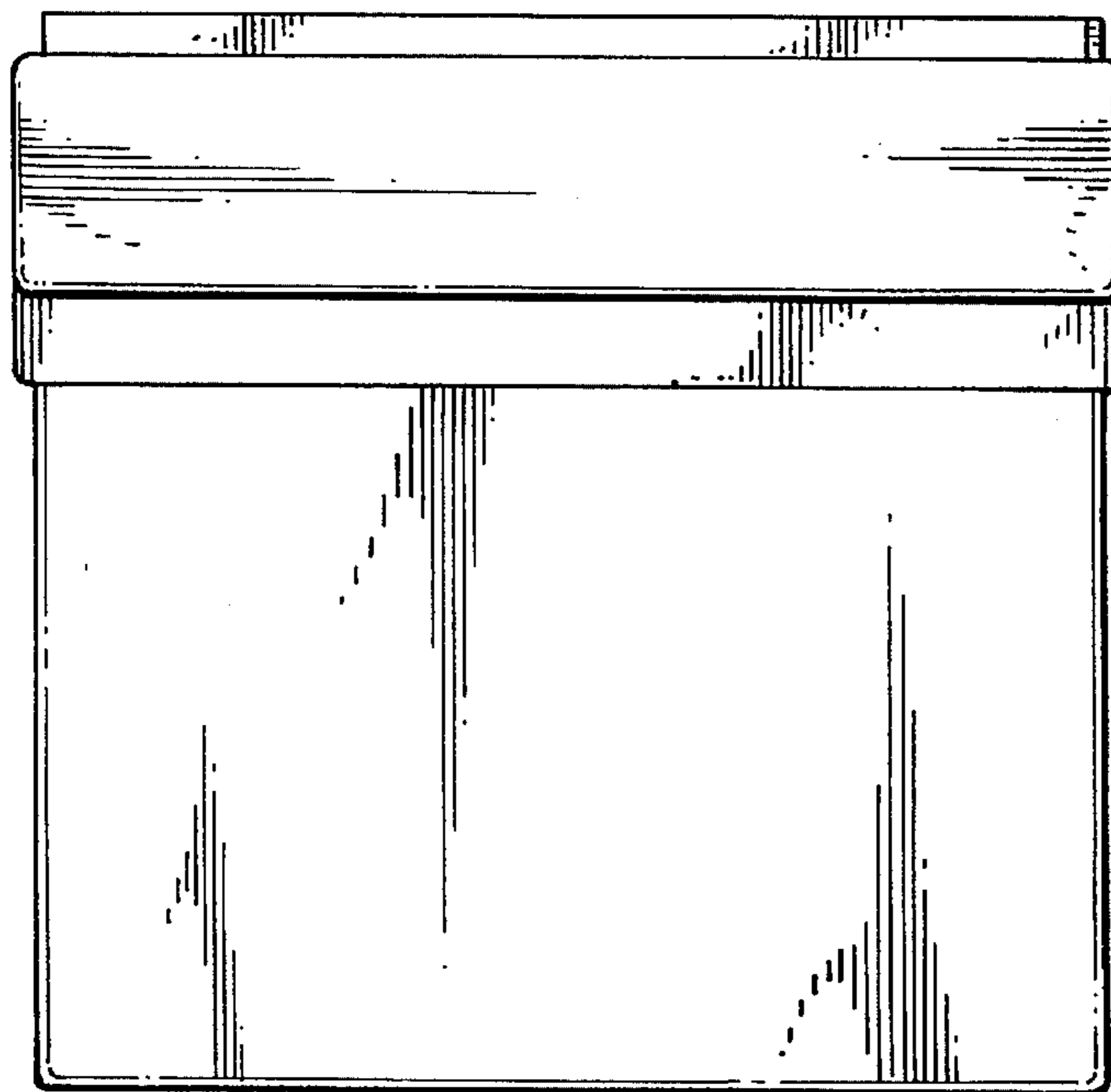


Fig. 4

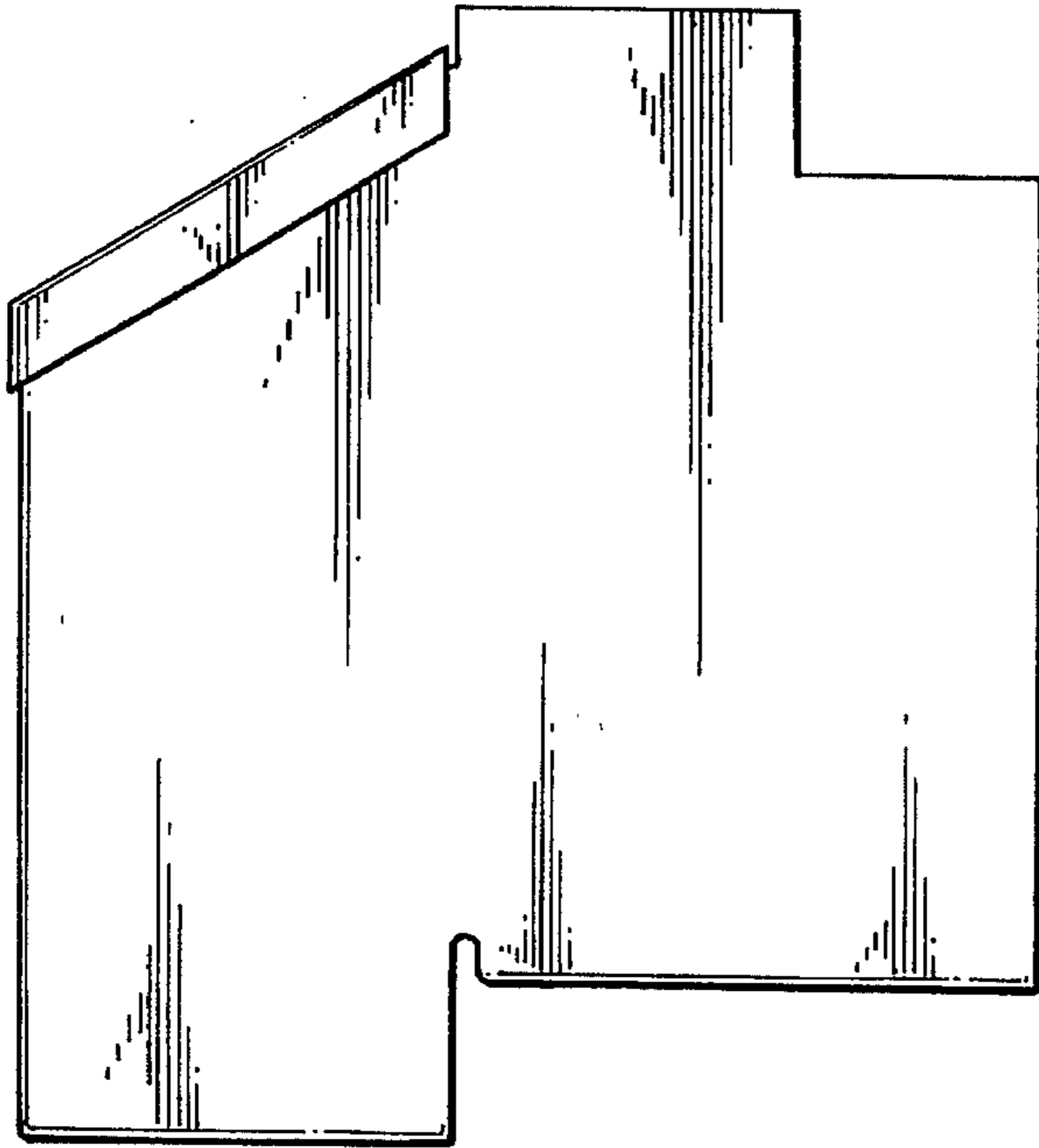


Fig. 5

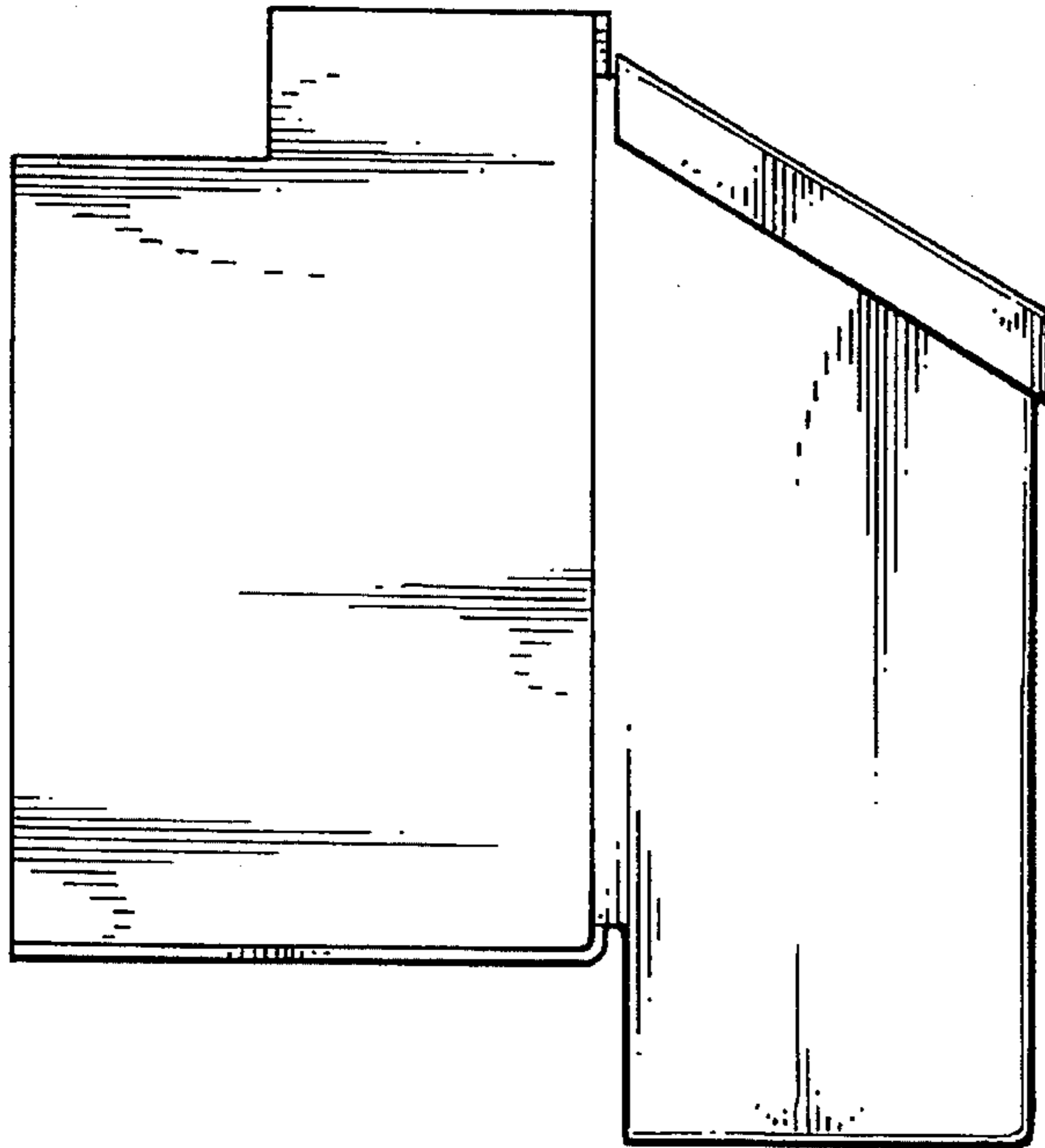


Fig. 6

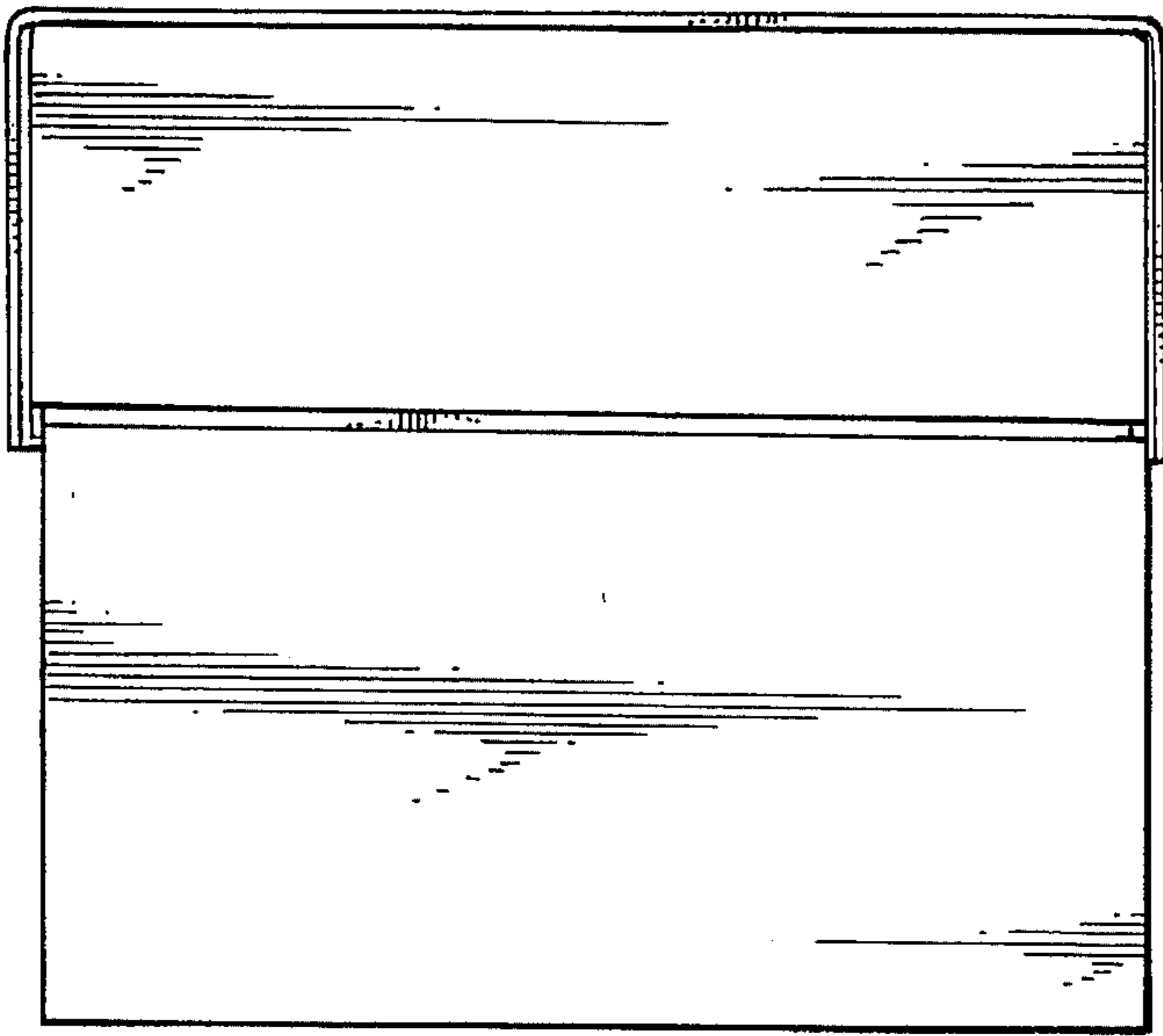


Fig. 7

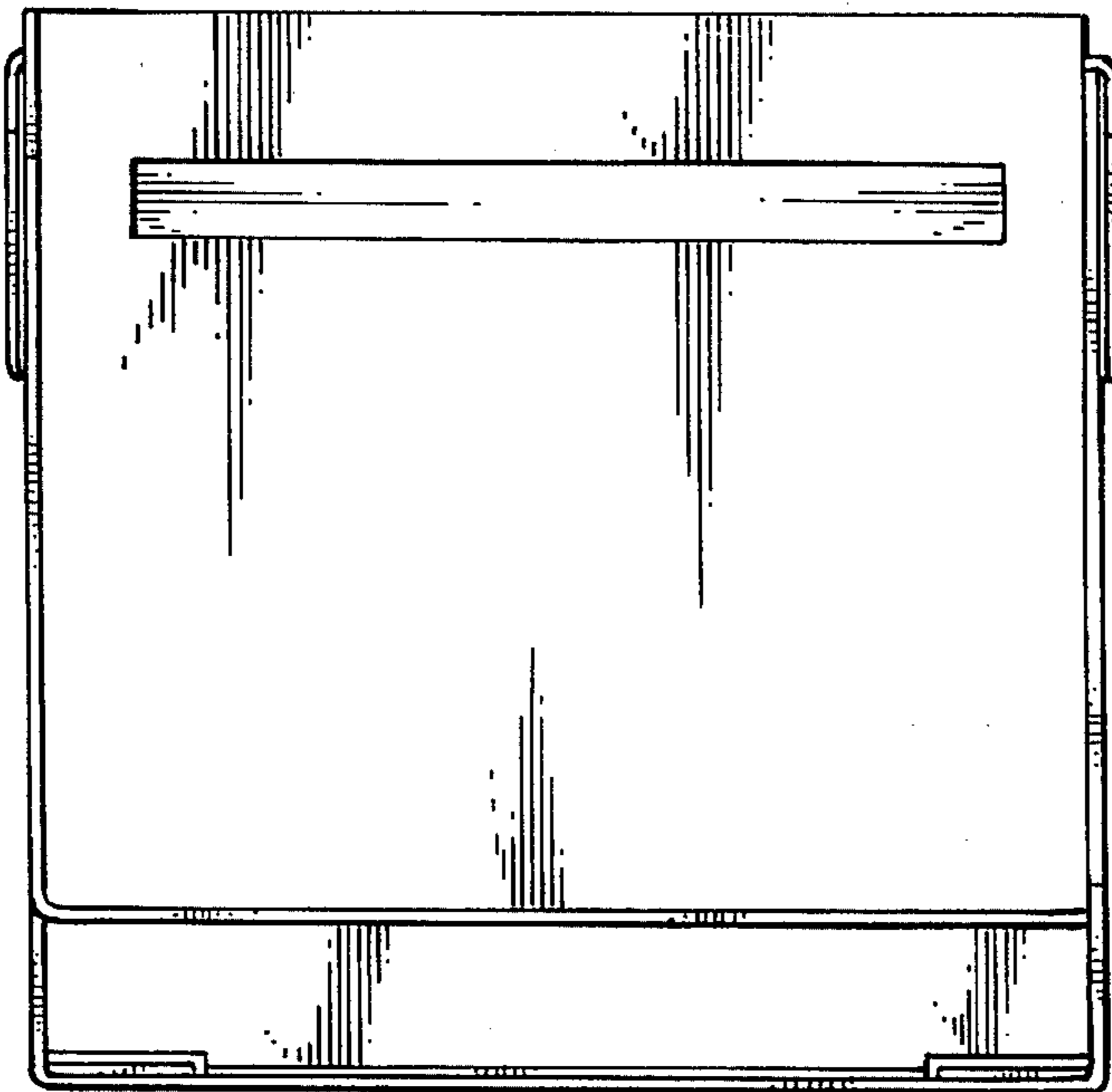


Fig. 8