



US00D377002S

# United States Patent [19]

[11] Patent Number: **Des. 377,002**

Tran

[45] Date of Patent: **\*\*Dec. 31, 1996**

## [54] COMBINED SPOILER AND VEHICLE SPARE TIRE COVER

[76] Inventor: **Nga V. Tran**, 18771 Pinto La., Santa Ana, Calif. 92705-2263

[\*\*] Term: **14 Years**

[21] Appl. No.: **39,226**

[22] Filed: **May 24, 1995**

[52] U.S. Cl. .... **D12/202; D12/181**

[58] Field of Search ..... **D12/202, 181; 224/42.12, 42.2, 42.21**

### [56] References Cited

#### U.S. PATENT DOCUMENTS

D. 305,322	1/1990	Campbell	.....	D12/202
D. 306,995	4/1990	Reed, Jr.	.....	D12/202
D. 328,052	7/1992	Stout, III	.....	D12/202
5,022,573	6/1991	Barkouskie	.....	224/42.21
5,228,608	7/1993	Stout, III	.....	D12/202 X

### OTHER PUBLICATIONS

J.C. Whitney & Co. Catalog No. 505 M, ©1989, p. 79, The Continental Tire cover.

*Primary Examiner*—James M. Gandy

*Assistant Examiner*—Stacia Sinuik

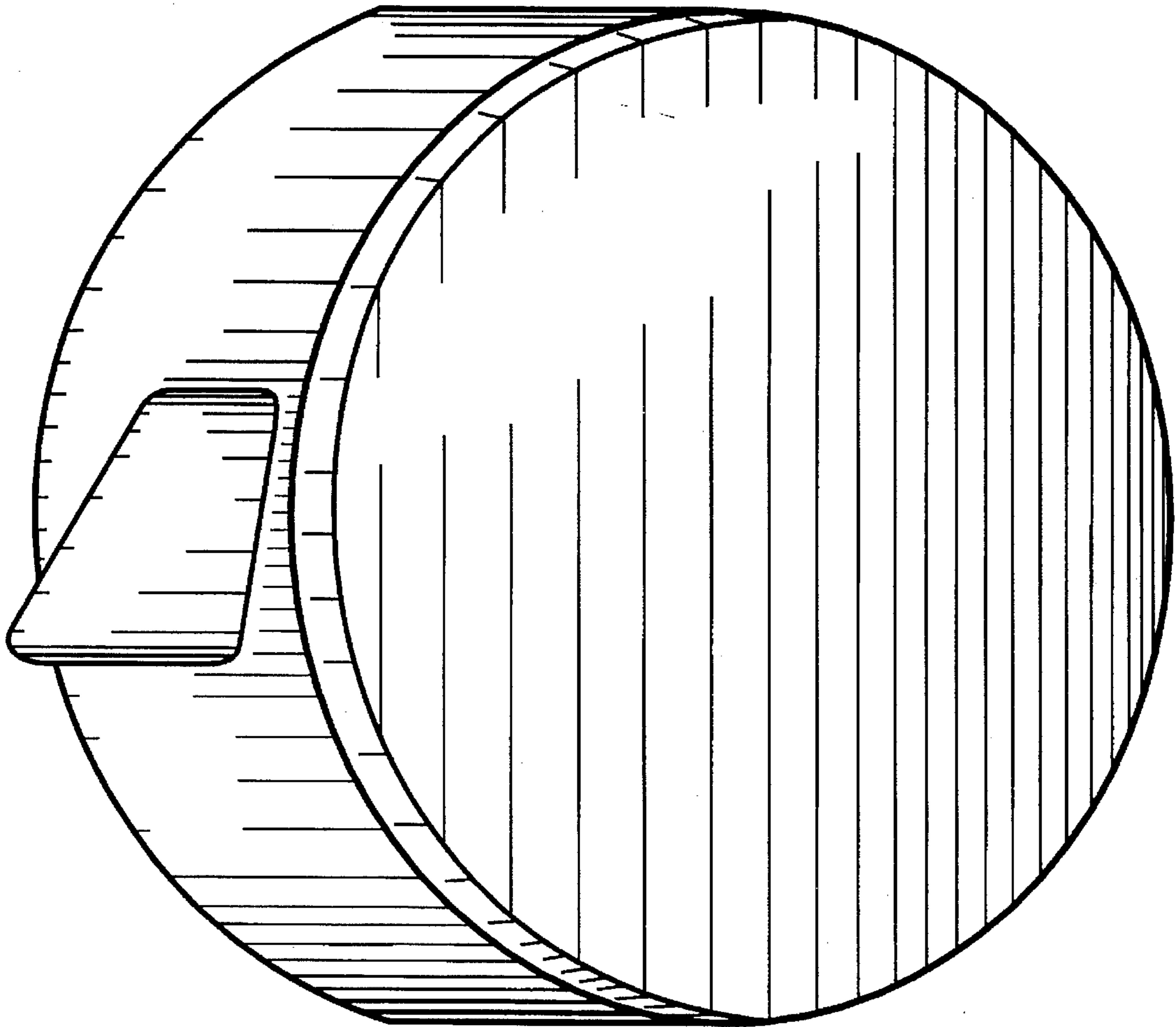
### [57] CLAIM

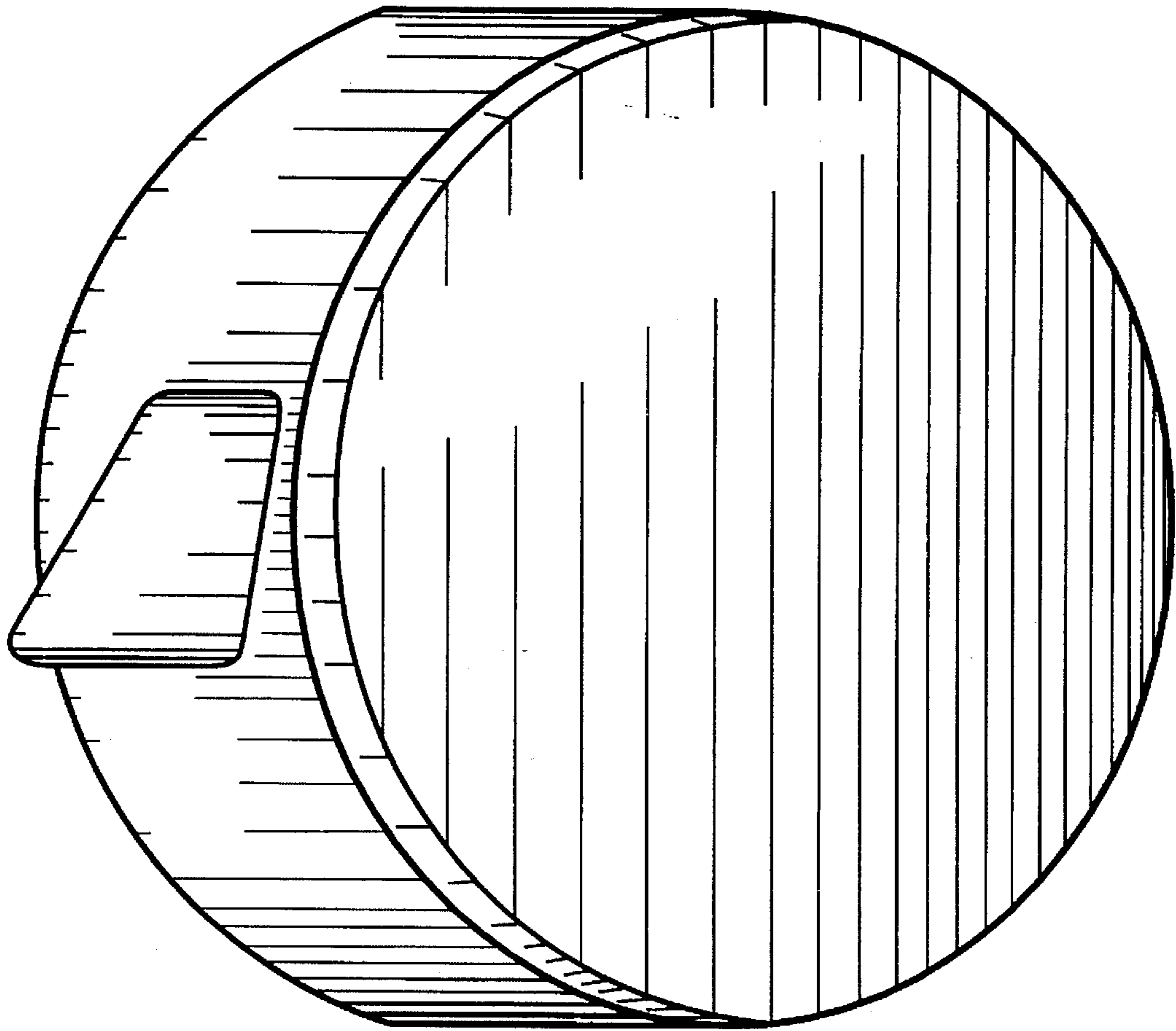
The ornamental design for a combined spoiler and vehicle spare tire cover, as shown and described.

### DESCRIPTION

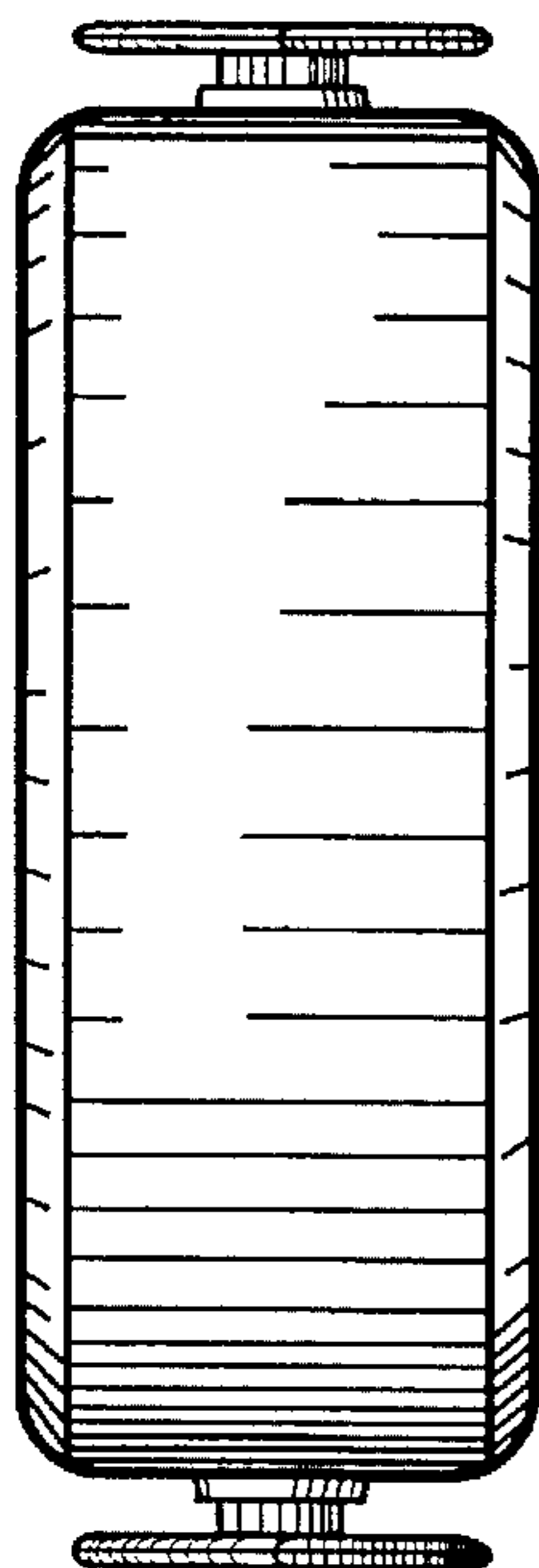
FIG. 1 is a perspective view of a combined spoiler and vehicle spare tire cover showing my new design;  
 FIG. 2 is a top plan view thereof, on a reduced scale;  
 FIG. 3 is a bottom plan view thereof, on a reduced scale;  
 FIG. 4 is a right side elevational view thereof, on a reduced scale the left side being mirror image of that shown;  
 FIG. 5 is a rear elevational view thereof, on a reduced scale; and  
 FIG. 6 is a front elevational view thereof, on a reduced scale.

**1 Claim, 3 Drawing Sheets**

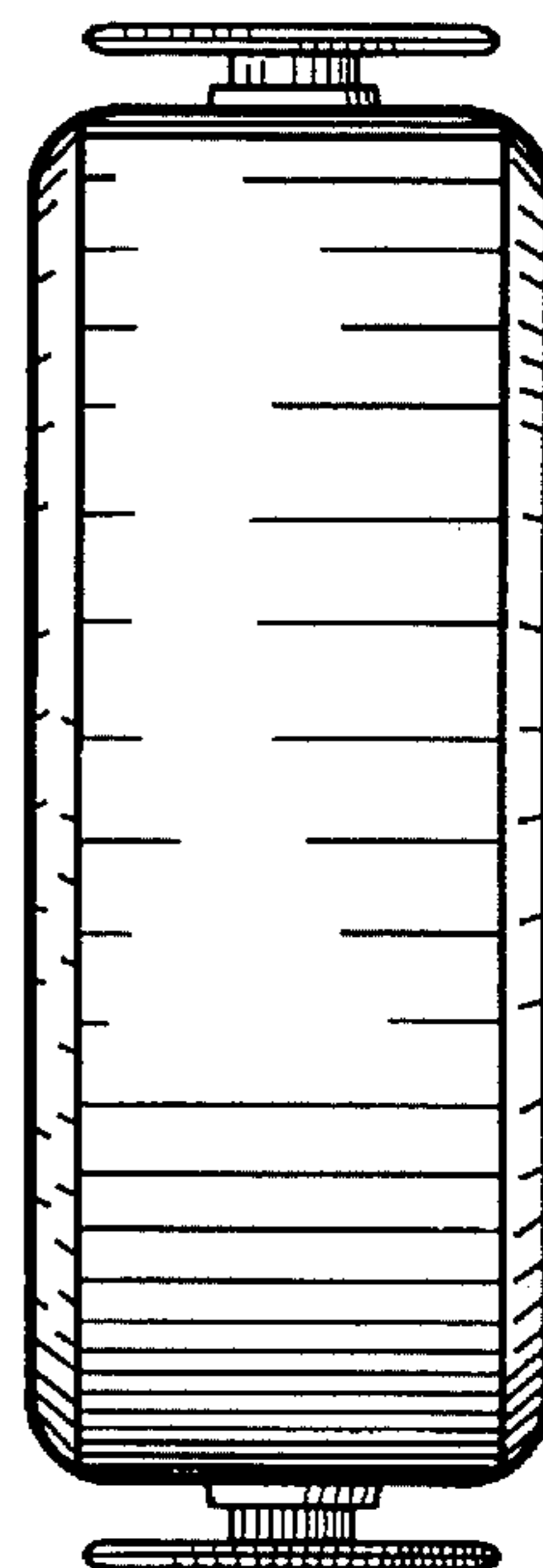




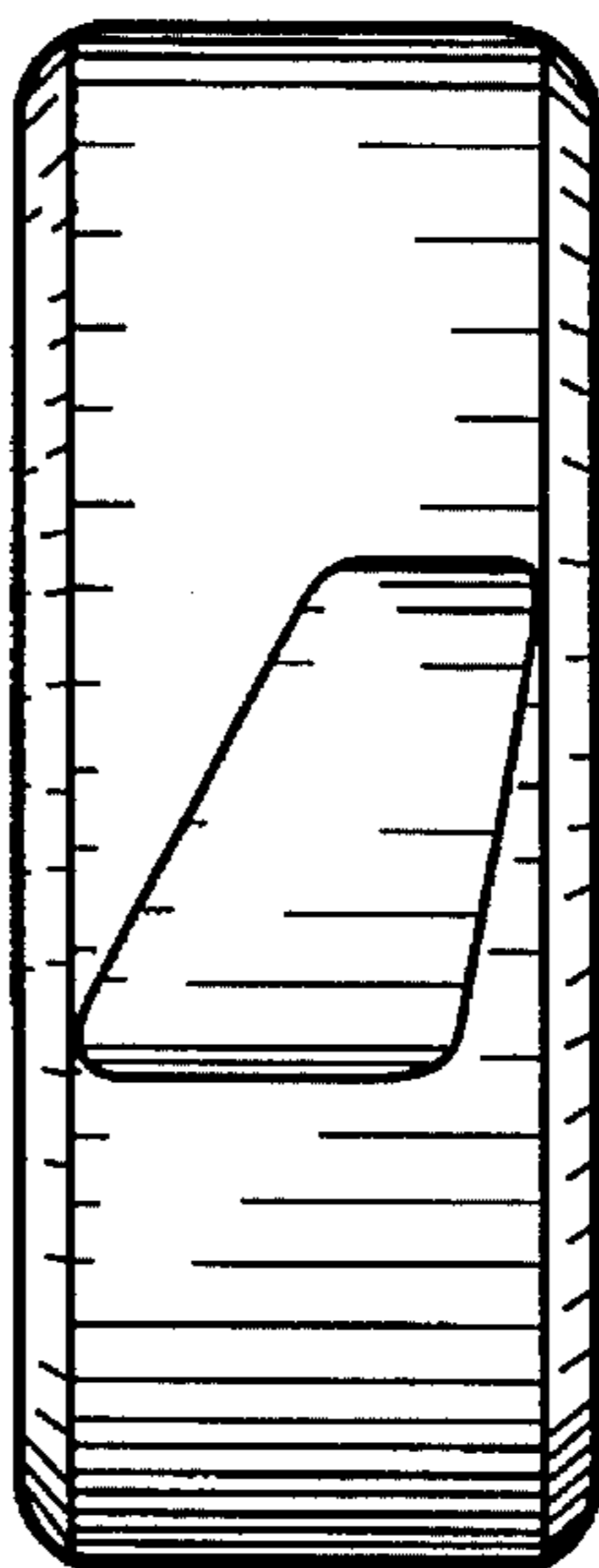
*Fig. 1*



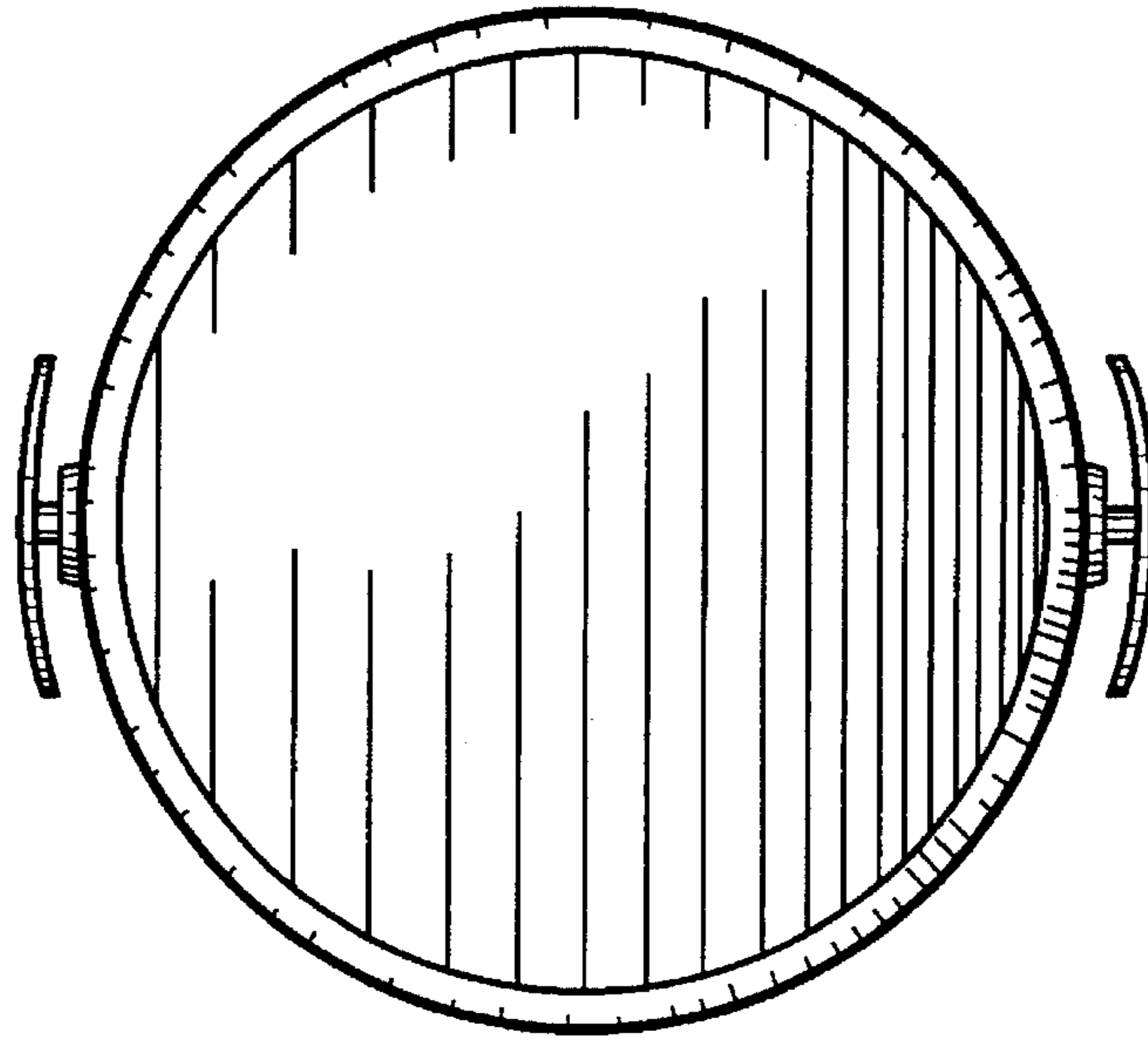
*Fig. 2*



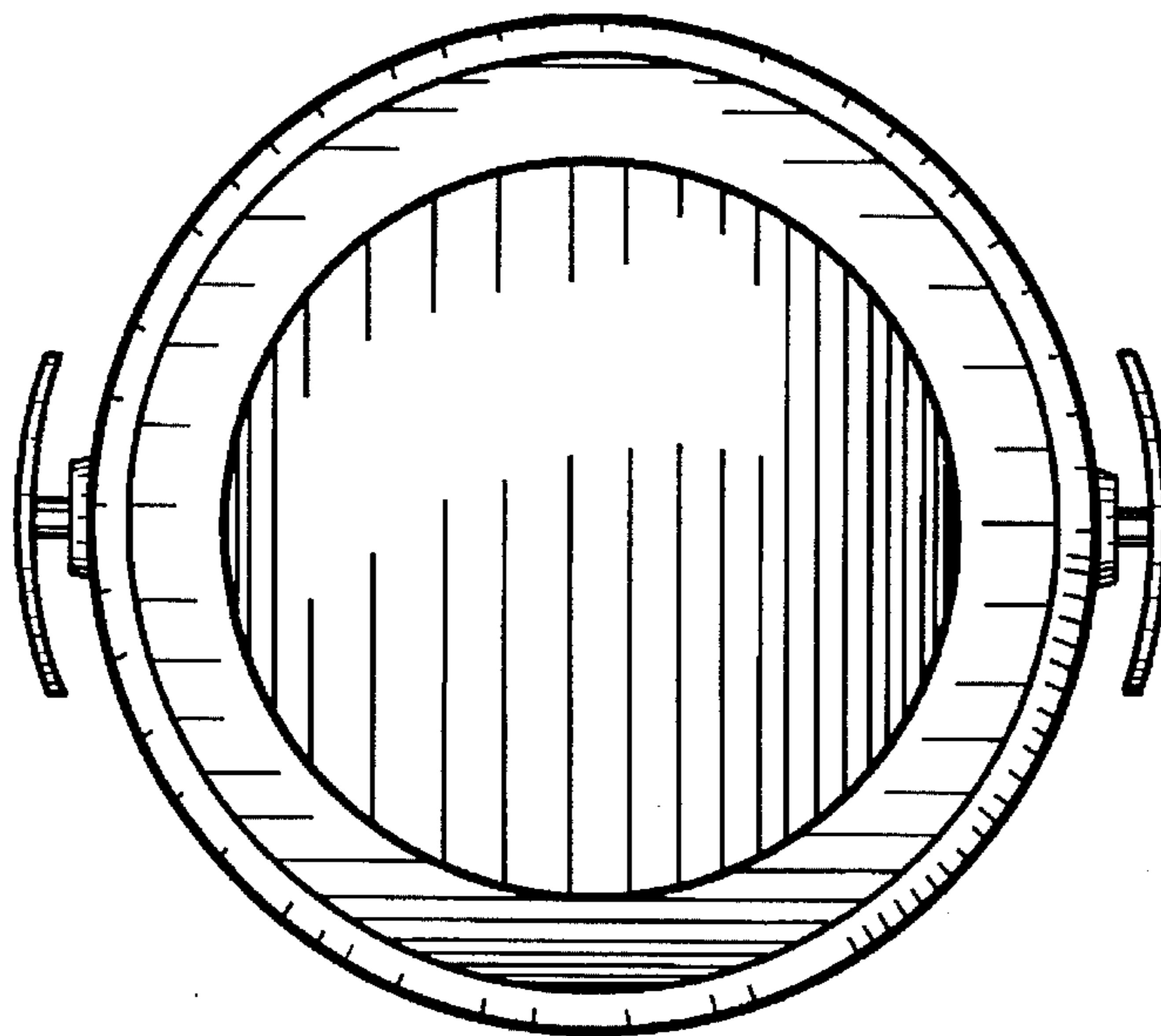
*Fig. 3*



*Fig. 4*



*Fig. 5*



*Fig. 6*