



US00D376997S

# United States Patent [19] Camfield

[11] Patent Number: **Des. 376,997**

[45] Date of Patent: **\*\*Dec. 31, 1996**

[54] **CHOPPER BICYCLE**

[75] Inventor: **David K. Camfield, Olney, Ill.**  
[73] Assignee: **Roadmaster Corporation, Olney, Ill.**  
[\*\*] Term: **14 Years**

[21] Appl. No.: **43,412**

[22] Filed: **Sep. 1, 1995**

[52] U.S. Cl. .... **D12/111**

[58] Field of Search ..... D12/111, 108.3,  
D12/110; 280/281.1, 288.1, 288.2, 288.3;  
180/219

[56] **References Cited**

**U.S. PATENT DOCUMENTS**

D. 149,968	6/1948	Oertle et al. ....	D12/110
D. 170,610	10/1953	Sebel .....	D12/111
D. 241,330	9/1976	Morioka et al. ....	D12/110
D. 267,245	12/1982	Iwasaki .....	D12/110
D. 273,100	3/1984	Ziegler .....	D12/111
D. 274,052	5/1984	Iwakura et al. ....	D12/110
D. 277,090	1/1985	Iwakura et al. ....	D12/110
D. 281,870	12/1985	Nakano .....	D12/110
D. 283,689	5/1986	Nakano et al. ....	D12/110
D. 294,338	2/1988	Yamada et al. ....	D12/111
D. 295,029	4/1988	Kizawa et al. ....	D12/110
D. 297,721	9/1988	Kaneko et al. ....	D12/110
D. 299,710	2/1989	Iwakura et al. ....	D12/110
D. 300,211	3/1989	Yamase et al. ....	D12/110
D. 301,437	6/1989	Bleustein et al. ....	D12/111
D. 305,748	1/1990	Kaneko et al. ....	D12/110
D. 310,053	8/1990	Kishi et al. ....	D12/110
D. 318,254	7/1991	Turowski .....	D12/111
D. 343,702	12/1993	Camfield .....	D12/111
D. 343,810	2/1994	Sanborn .....	D12/111
D. 344,046	2/1994	Kitagawa et al. ....	D12/110
D. 346,138	4/1994	Camfield et al. ....	D12/111
D. 350,087	8/1994	Sanborn .....	D12/111
D. 368,242	3/1996	Camfield et al. ....	D12/111
5,109,943	5/1992	Crenshaw et al. ....	280/219

**OTHER PUBLICATIONS**

U.S. Trademark Registration No. 74/467,938. 1949.  
U.S. Trademark Registration No. 74/467,939. 1982.  
U.S. Trademark Registration No. 74/467,941. 1964.  
AMF Junior Catalog, 1976 Juvenile Wheel Goods, p. 10.  
AMF Roadmaster Catalog, Bicycles for 1976, models L9230 and L9236.  
AMF Junior Catalog, 1977 Juvenile Wheel Goods, models G992 and G986.  
AMF Junior Catalog, 1978 Juvenile Wheel Goods, pp. 10 and 12.  
AMF Catalog, Junior Wheel Goods for 1979, p. 9.  
Brochure, Roadmaster "Junior Riding Products 1983", 2 pages.  
Brochure entitled "Roadmaster Introduces the Harley-Davidson ® of Bicycles", 6 pages, 1994 by Roadmaster Corporation.  
Brochure, "Popular Club Plan® Holiday Wishes", 1994, 2 pages.  
Article from *USA Today* newspaper entitled "Toys For Little Angels Or Kids Born To Be Wild", one page, Feb. 11, 1994.

*Primary Examiner*—Melody N. Brown  
*Attorney, Agent, or Firm*—Steven P. Shurtz; Brinks Hofer Gilson & Lione

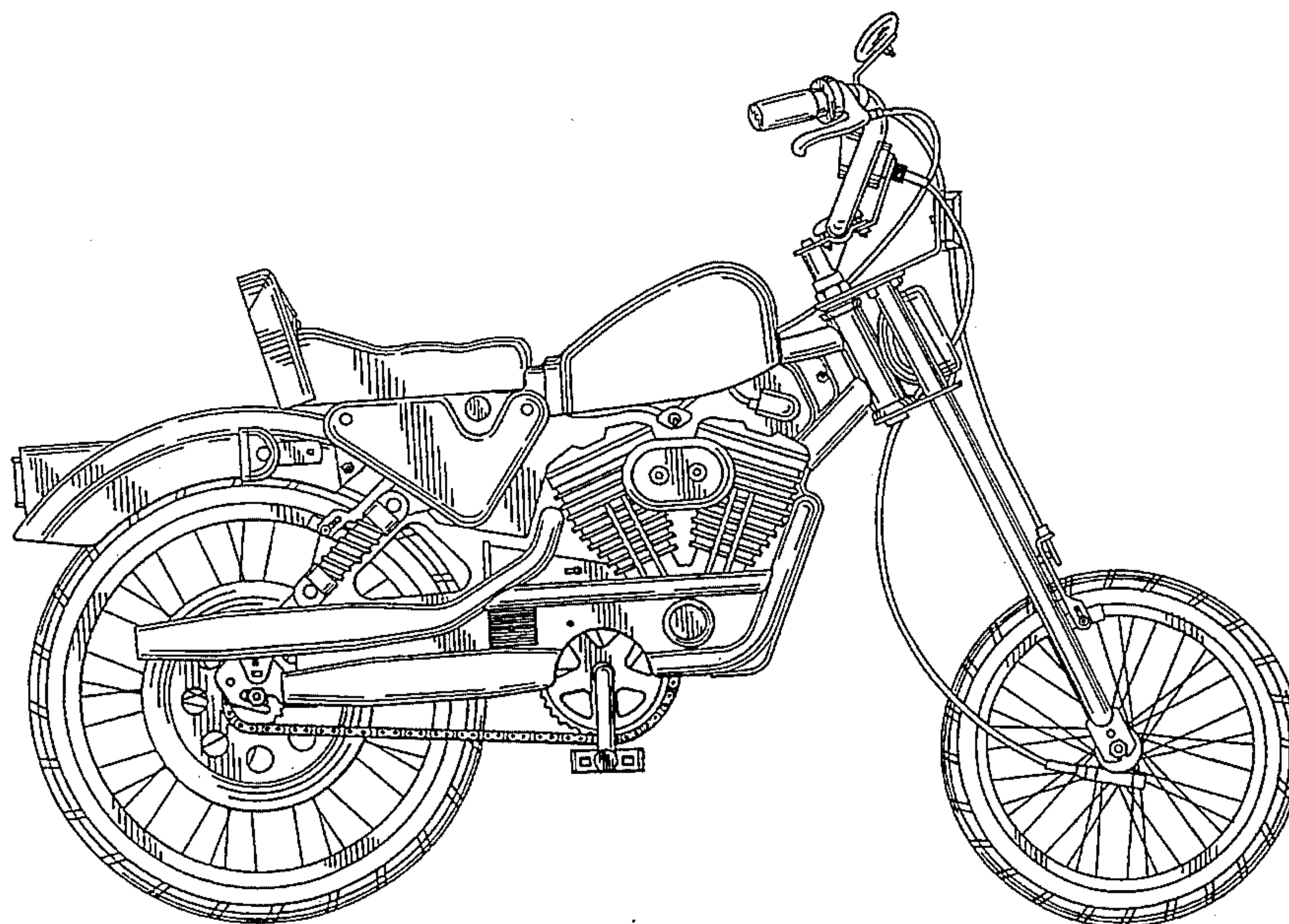
[57] **CLAIM**

The ornamental design for a chopper bicycle, as shown.

**DESCRIPTION**

FIG. 1 is a right, front perspective view of a chopper bicycle showing the new design;  
FIG. 2 is a right side elevational view thereof;  
FIG. 3 is a left side elevational view thereof;  
FIG. 4 is a top plan view thereof;  
FIG. 5 is a bottom plan view thereof;  
FIG. 6 is a front elevational view thereof; and,  
FIG. 7 is a rear elevational view thereof.

**1 Claim, 6 Drawing Sheets**





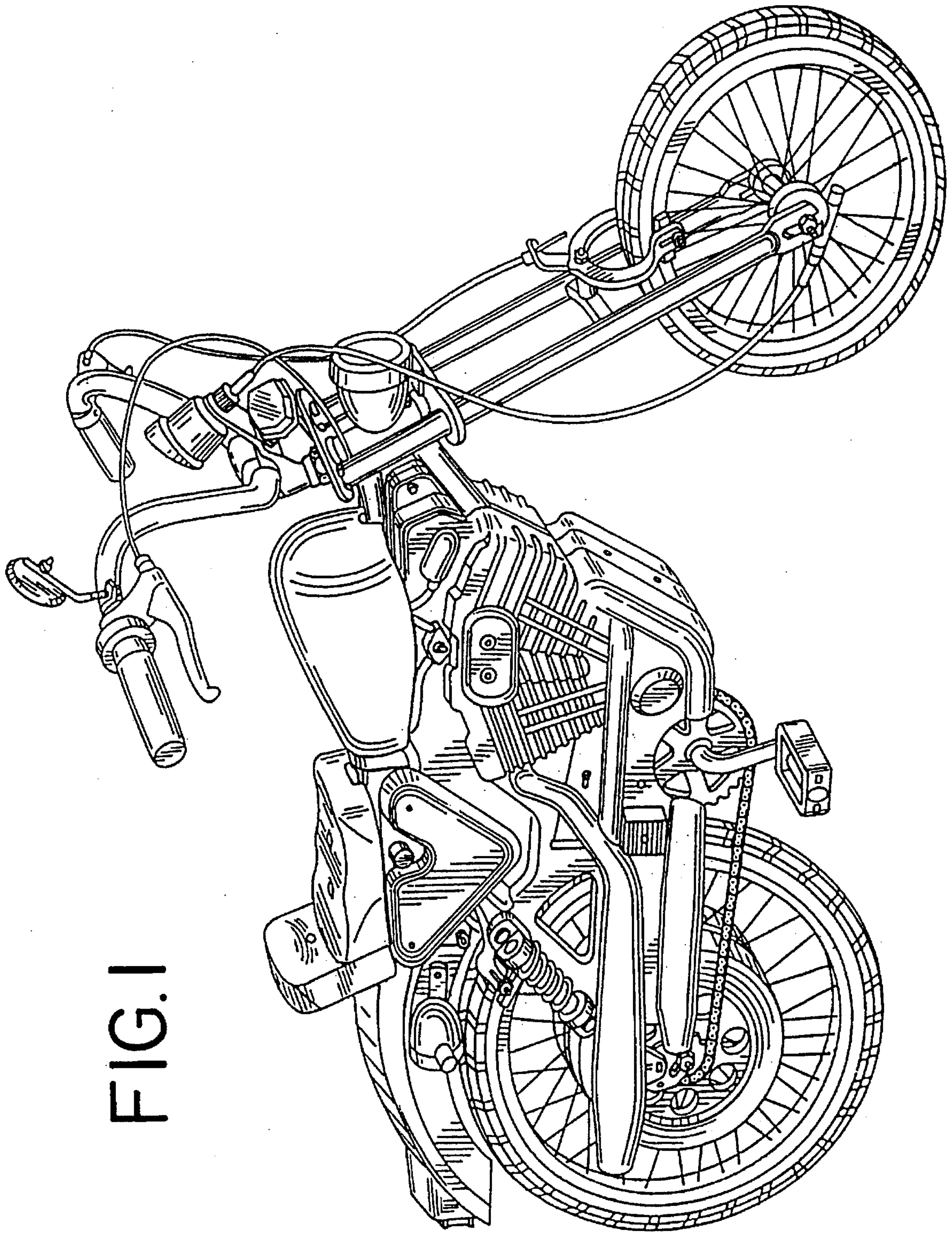


FIG. 1

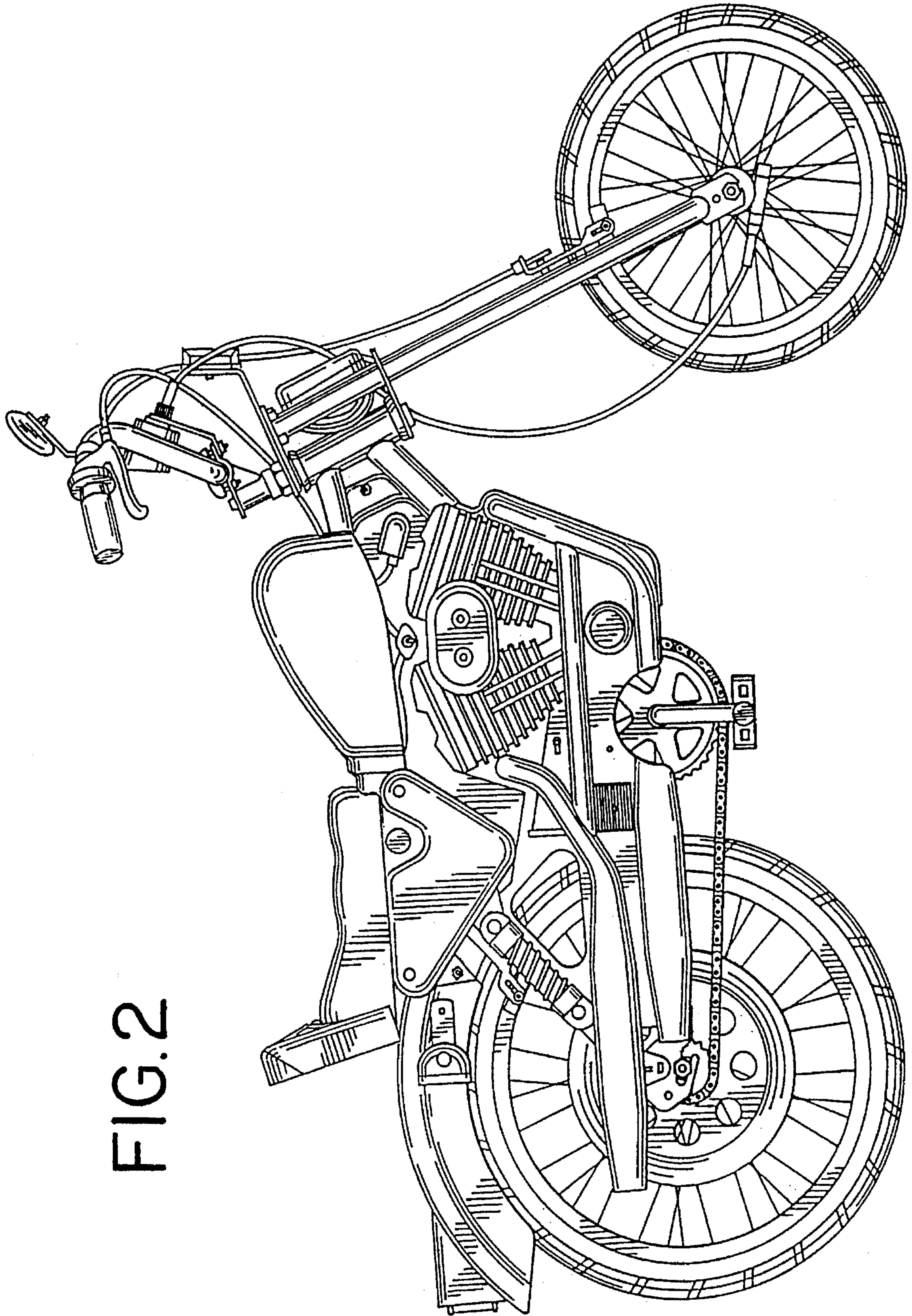


FIG. 2



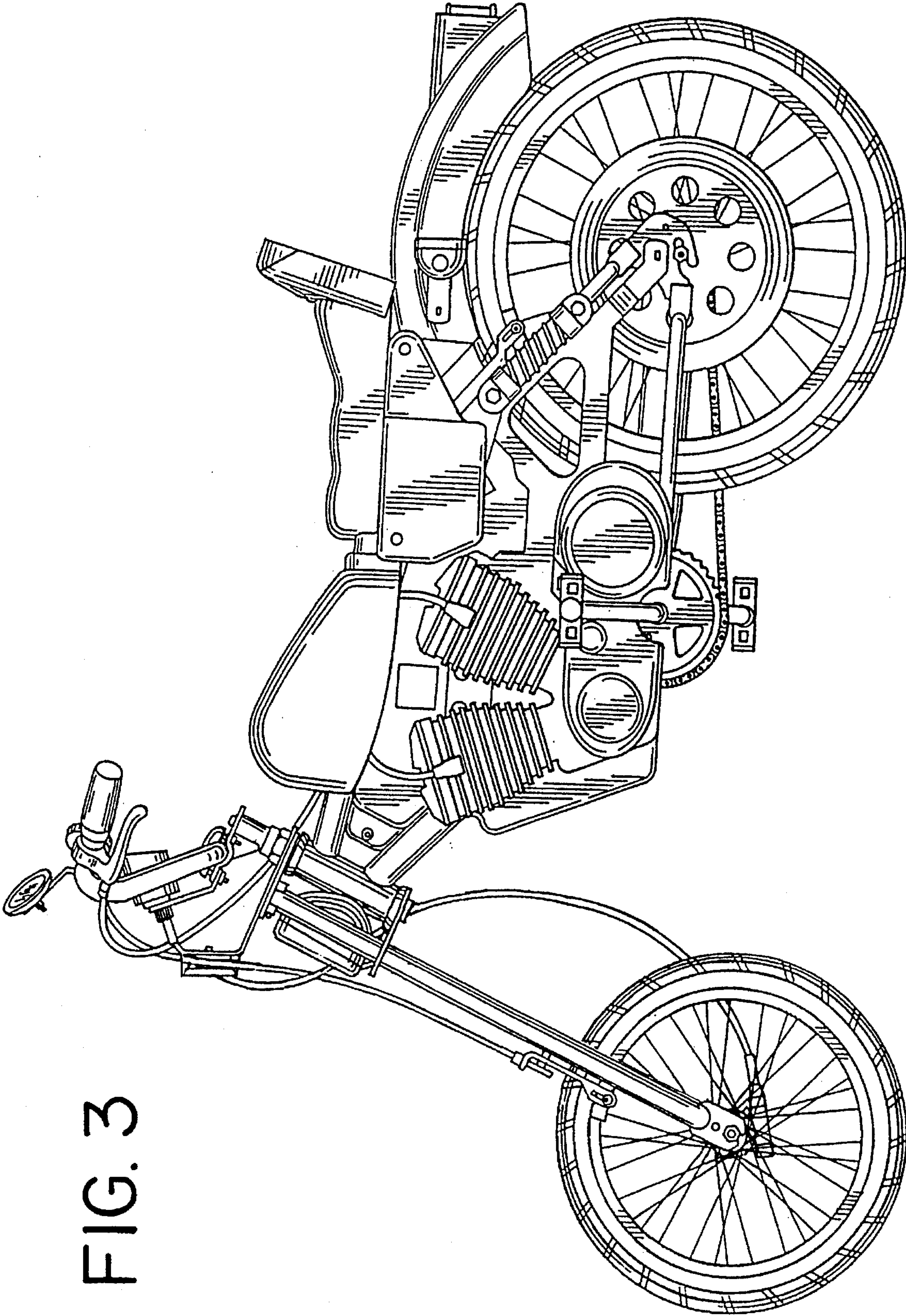


FIG. 3

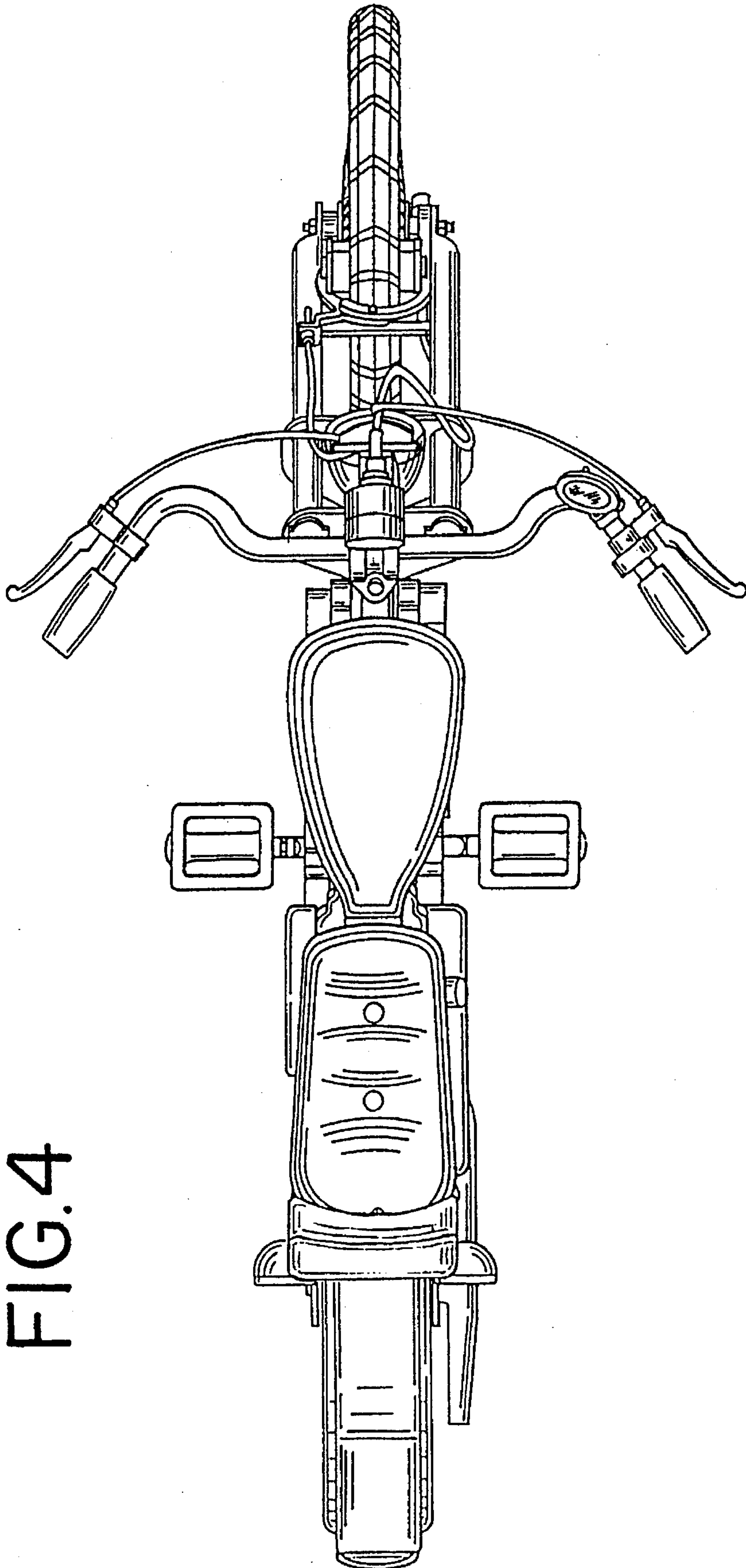


FIG.4

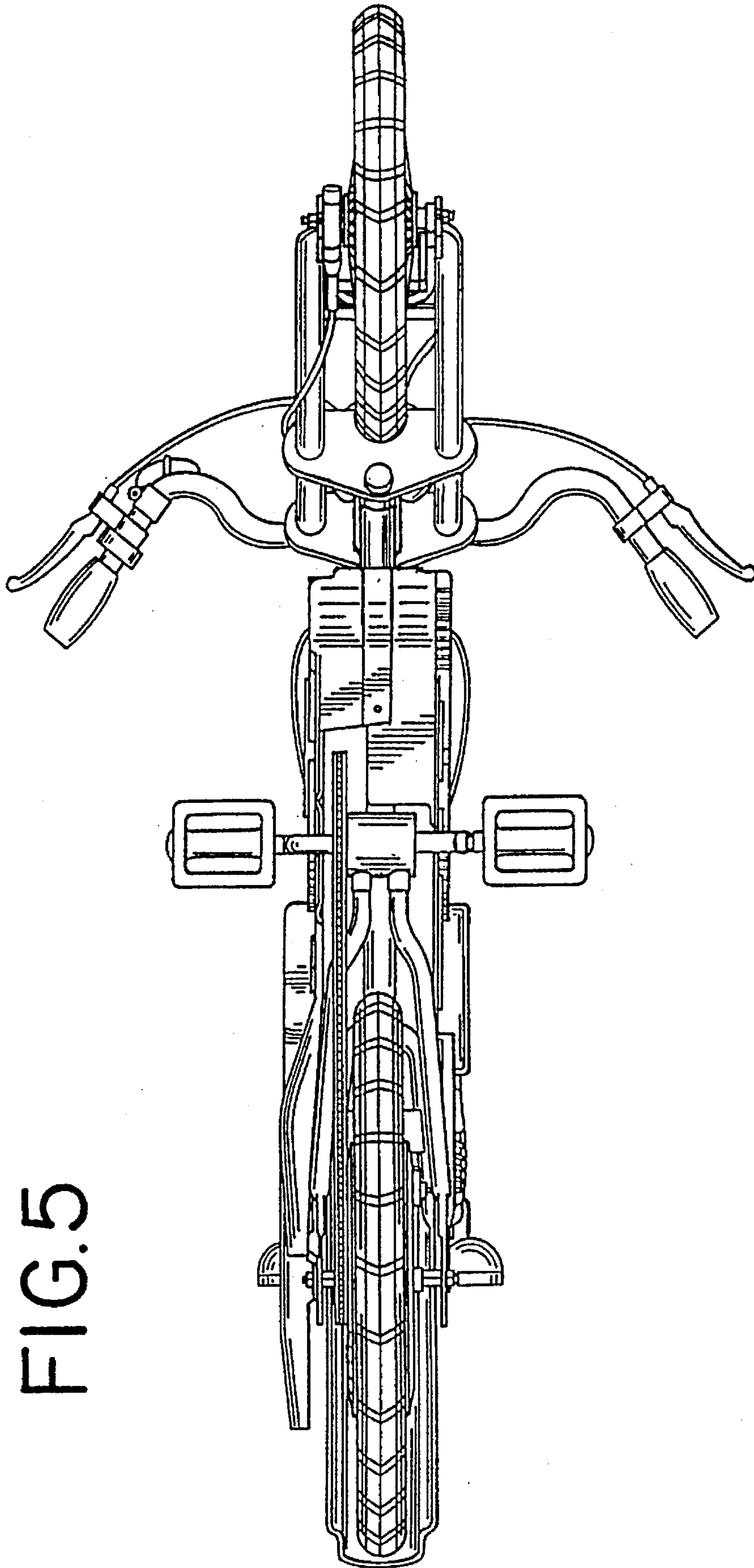


FIG. 5



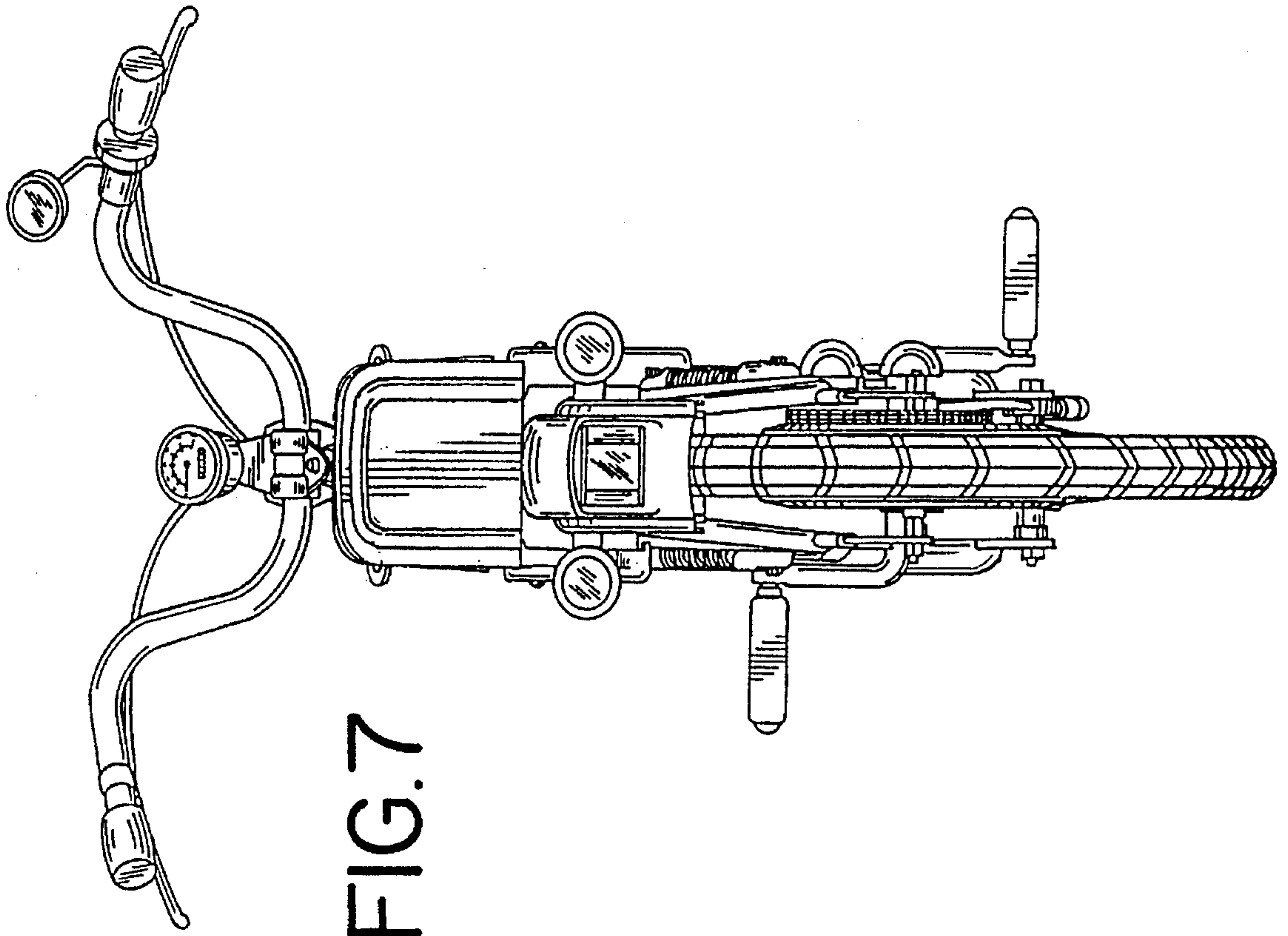


FIG. 7

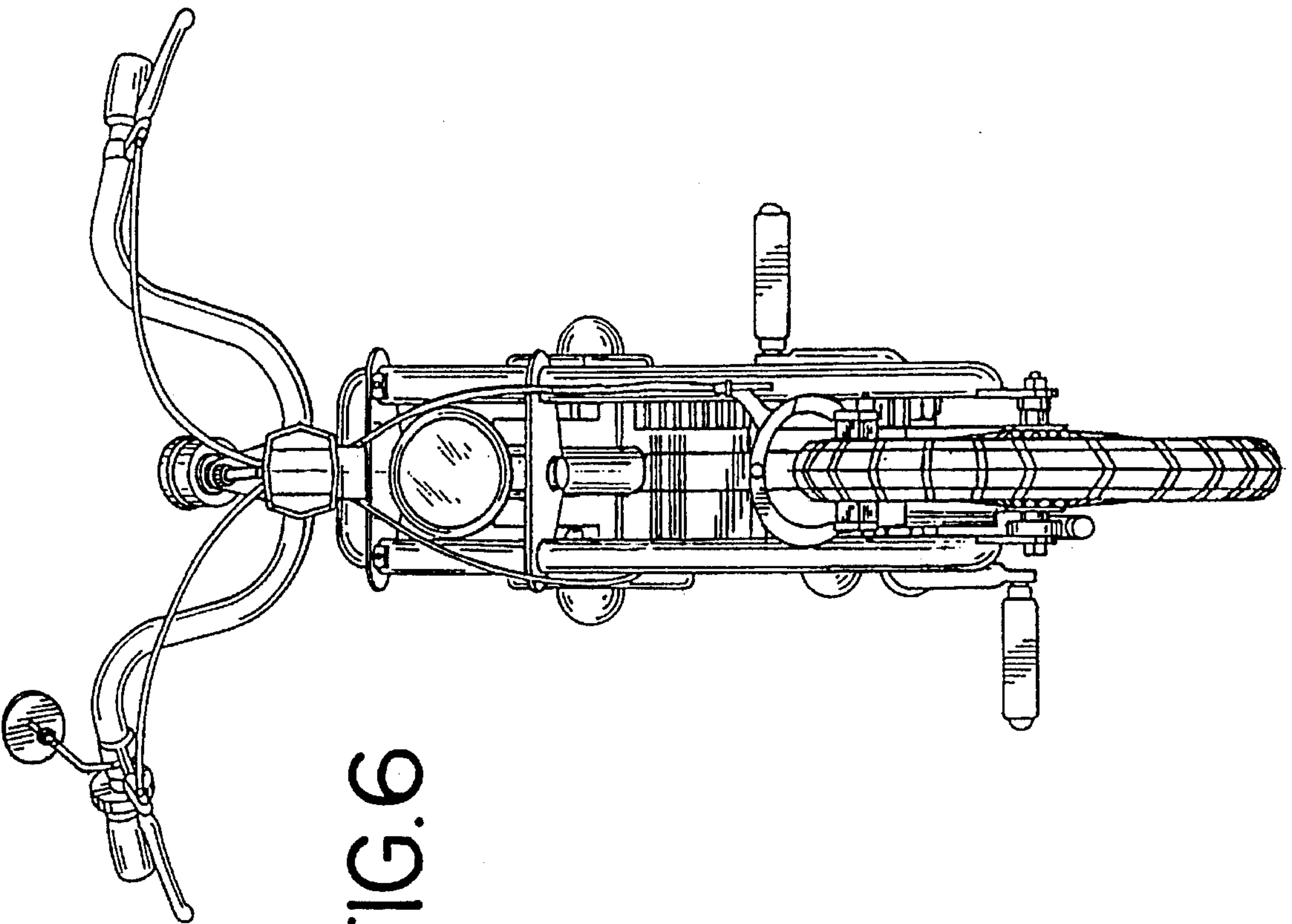


FIG. 6