



US00D376995S

United States Patent [19]

Veach et al.

[11] Patent Number: **Des. 376,995**

[45] Date of Patent: ****Dec. 31, 1996**

[54] **STIRRUP BUCKLE**

[76] Inventors: **Ben G. Veach**, P.O. Box 322, Greencastle, Ind. 46135; **Robert L. Shields**, P.O. Box 623, Newburgh, Ind. 47629

[**] Term: **14 Years**

[21] Appl. No.: **41,487**

[22] Filed: **Jul. 17, 1995**

1,487,577	3/1924	Kerngood .	
1,542,246	4/1924	Hogassian .	
1,654,805	1/1928	Hamrie .	
2,253,749	12/1940	Beazley .	
3,209,423	1/1964	Cattin .	
3,570,077	3/1971	Hawie .	
3,608,158	9/1971	Bengtsson .	
4,001,920	1/1977	Johnson	24/193
4,118,833	10/1978	Knox et al.	24/68 CD
4,233,712	11/1980	Horst et al. .	
4,464,811	8/1984	Holmes	24/196
4,631,984	12/1986	Fildan .	
4,987,653	1/1991	Lin	24/68 E

Related U.S. Application Data

[63] Continuation-in-part of Ser. No. 126,871, Sep. 27, 1993, Pat. No. 5,452,498.

[52] U.S. Cl. **D11/216**; D30/142

[58] Field of Search D11/200, 216, D11/218, 220, 231-238; 54/47-61; D8/383; 24/200, 193, 196, 197, 523, 625, 180, 181, 187, 68 CD, 68 E, 69 D, 69 ST, 132 R, 133, 134 L; D30/142, 143

[56] References Cited

U.S. PATENT DOCUMENTS

72,266	12/1867	Clock .	
D. 103,176	2/1937	Knoll	D11/216
D. 181,436	11/1957	Musser	D11/216
322,789	7/1885	Chapman .	
D. 342,351	12/1993	Felkin	D30/142
405,925	6/1889	Stubbs .	
740,951	10/1903	Uhlrig .	
855,637	5/1904	Humphrey .	
1,055,045	3/1913	Hunter .	
1,365,551	1/1921	Settles .	
1,479,686	1/1924	Wilkins	54/54

OTHER PUBLICATIONS

Advertisement by Blevins Mfg. Co. Inc, Wheatland, Wyoming, in *Western Horseman Magazine*, p. 96, Feb. 1994.

Primary Examiner—Ralf Seifert
Attorney, Agent, or Firm—Middleton & Reutlinger; David W. Carrithers

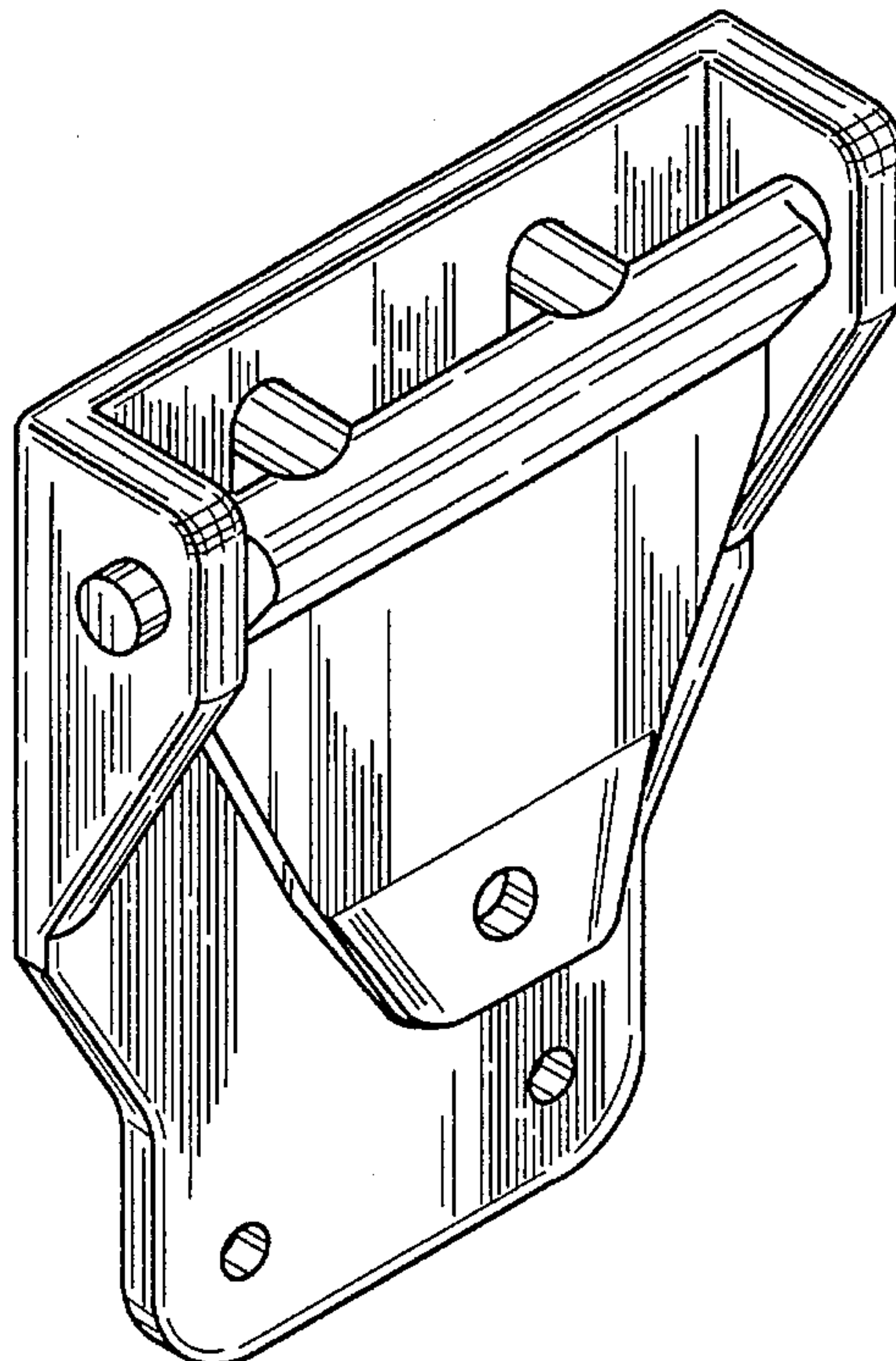
[57] CLAIM

The ornamental design for a stirrup buckle, as shown and described.

DESCRIPTION

FIG. 1 is a perspective view of a stirrup buckle made in accordance with my design;
FIG. 2 is a rear elevational view thereof;
FIG. 3 is an elevational left side view the right side view being a mirror image thereof;
FIG. 4 is a top plan view thereof;
FIG. 5 is an elevational front view thereof; and,
FIG. 6 is a bottom plan view thereof.

1 Claim, 1 Drawing Sheet



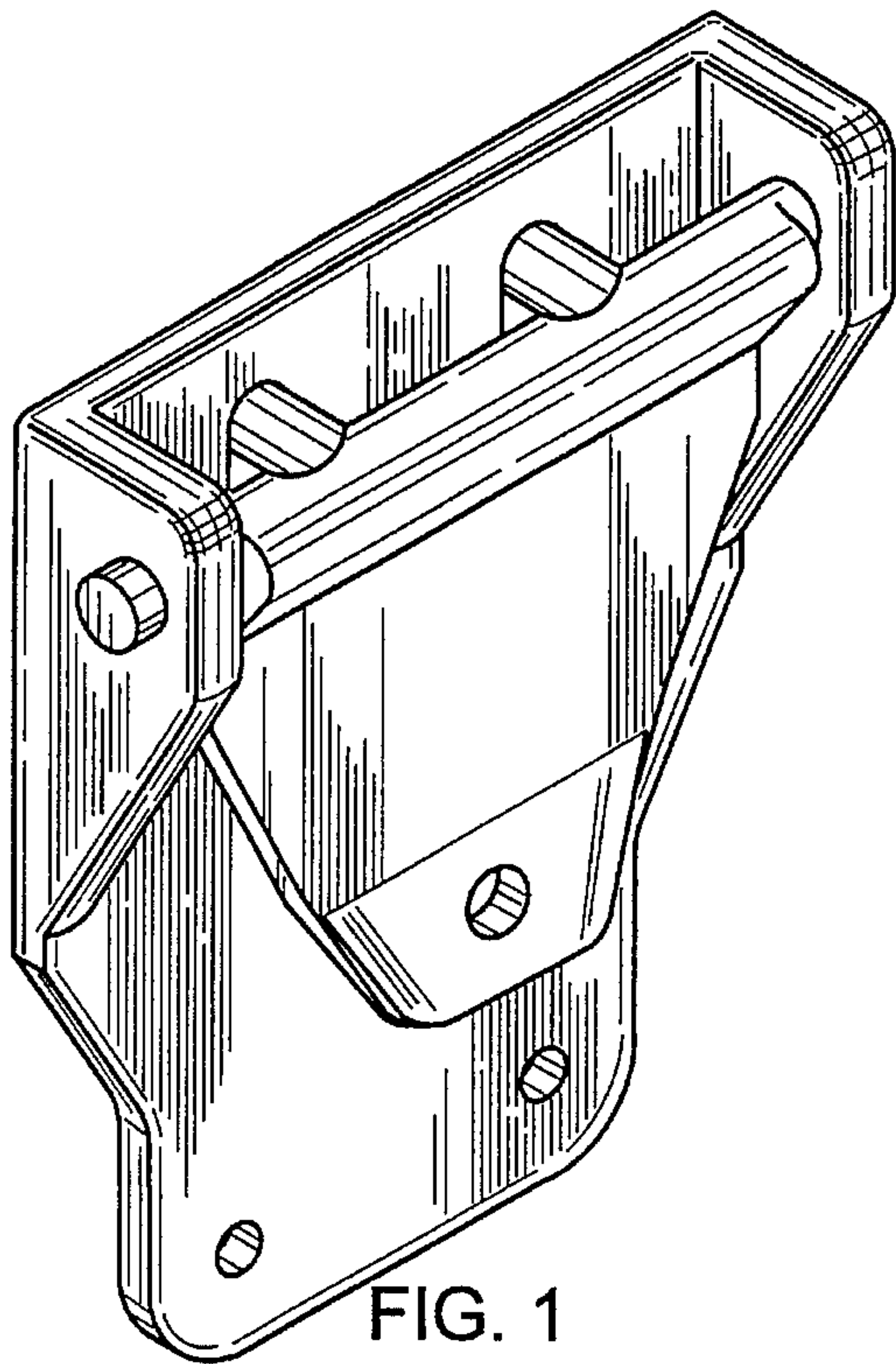


FIG. 1



FIG. 3

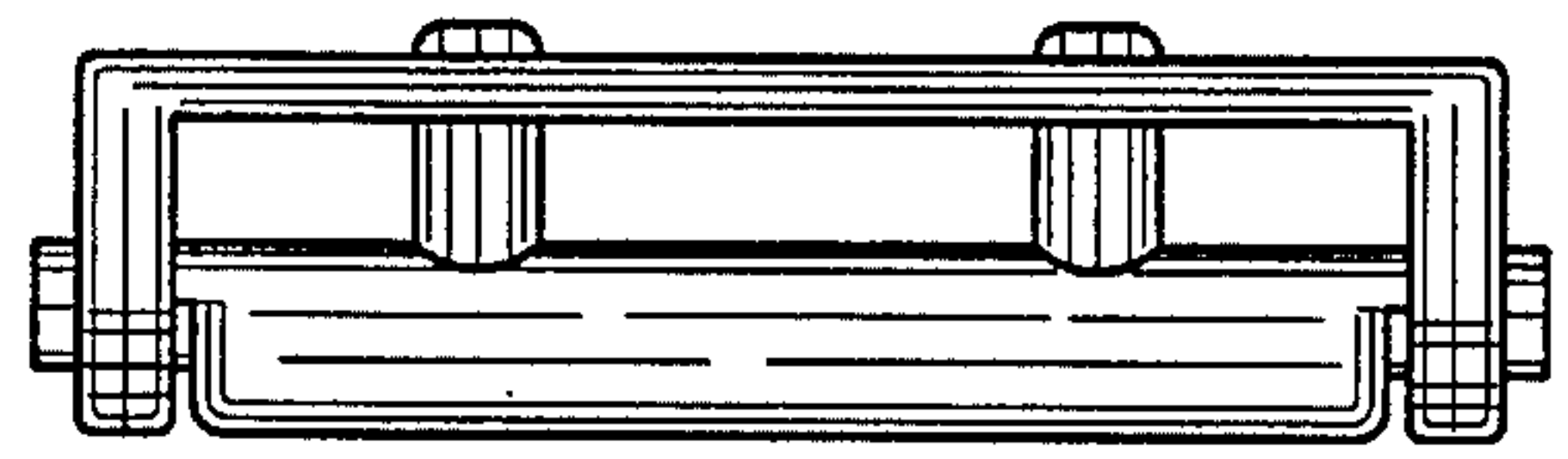


FIG. 4

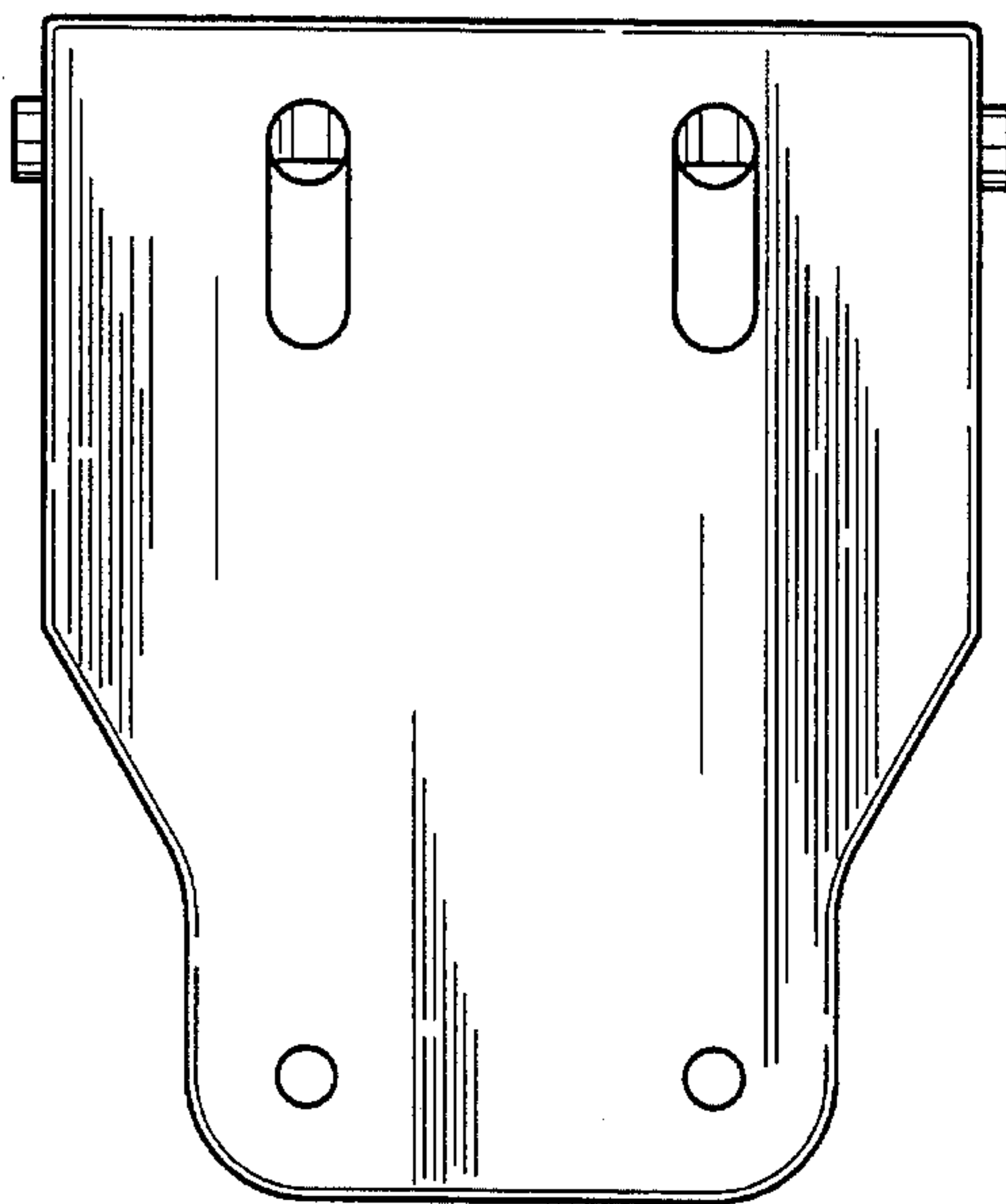


FIG. 2

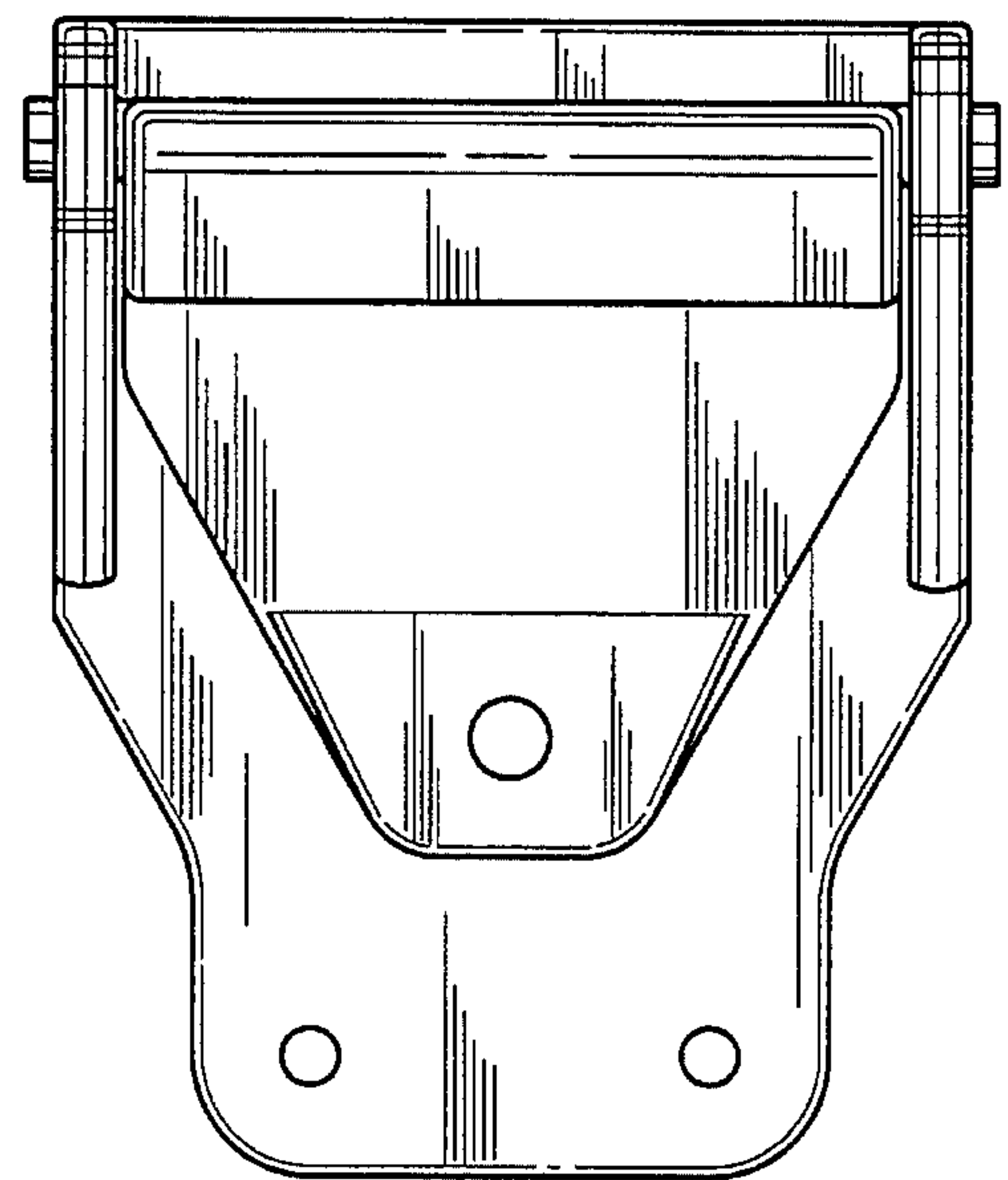


FIG. 5

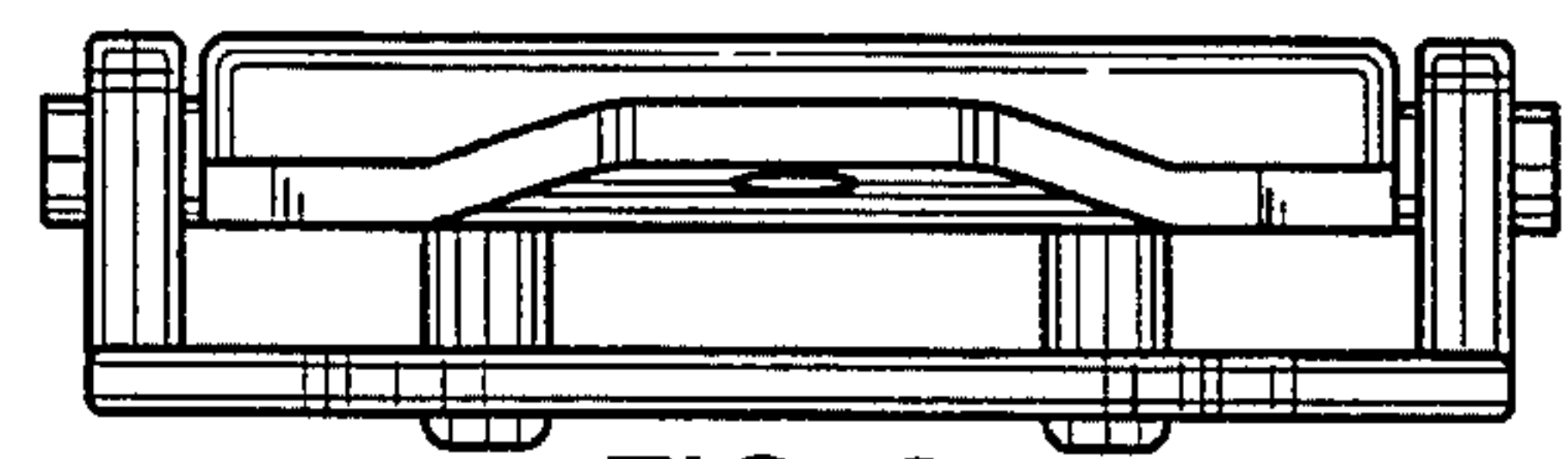


FIG. 6