



US00D376993S

United States Patent [19] Epiceno, III

[11] Patent Number: **Des. 376,993**

[45] Date of Patent: ****Dec. 31, 1996**

[54] SMOKE GENERATING AUTOMOBILE ALARM UNIT

[76] Inventor: **Joe Epiceno, III**, 333 Kirby St., Los Angeles, Calif. 90042

[**] Term: **14 Years**

[21] Appl. No.: **49,093**

[22] Filed: **Jan. 16, 1996**

[52] U.S. Cl. **D10/106**

[58] Field of Search D10/104, 106,
D10/116, 121; 340/425.5, 426, 428, 438,
571, 572, 573, 628, 629, 630

[56] References Cited

U.S. PATENT DOCUMENTS

D. 316,378	4/1991	Liantonio	D10/106
D. 345,711	4/1994	Issa	D10/106
D. 347,595	6/1994	Flaherty	D10/106
D. 347,596	6/1994	Jackson	D10/106
D. 353,114	12/1994	Tsung-Fu	D10/106

Primary Examiner—Marcus A. Jackson

Attorney, Agent, or Firm—Harold H. Dutton, Jr.; W. Charles L. Jamison; Diane F. Liebman

[57] CLAIM

The ornamental design for a smoke generating automobile alarm unit, as shown and described.

DESCRIPTION

FIG. 1 is a plan view of a smoke generating automobile

alarm showing my new design, with the wires broken away to indicate indeterminate length;

FIG. 2 is a rear view of a vaporizer portion thereof;

FIG. 3 is a top view thereof;

FIG. 4 is a bottom view thereof;

FIG. 5 is a left side view thereof;

FIG. 6 is a right side view thereof;

FIG. 7 is a rear view of the pump portion thereof;

FIG. 8 is a top view thereof;

FIG. 9 is a bottom view thereof;

FIG. 10 is a left side view thereof;

FIG. 11 is a right side view thereof;

FIG. 12 is a left side view of the glycol canister; The right side is a mirror image of the left side;

FIG. 13 is a front view thereof;

FIG. 14 is a rear view thereof;

FIG. 15 is a top view thereof;

FIG. 16 is a bottom view thereof;

FIG. 17 is a rear view of the alarm portion thereof;

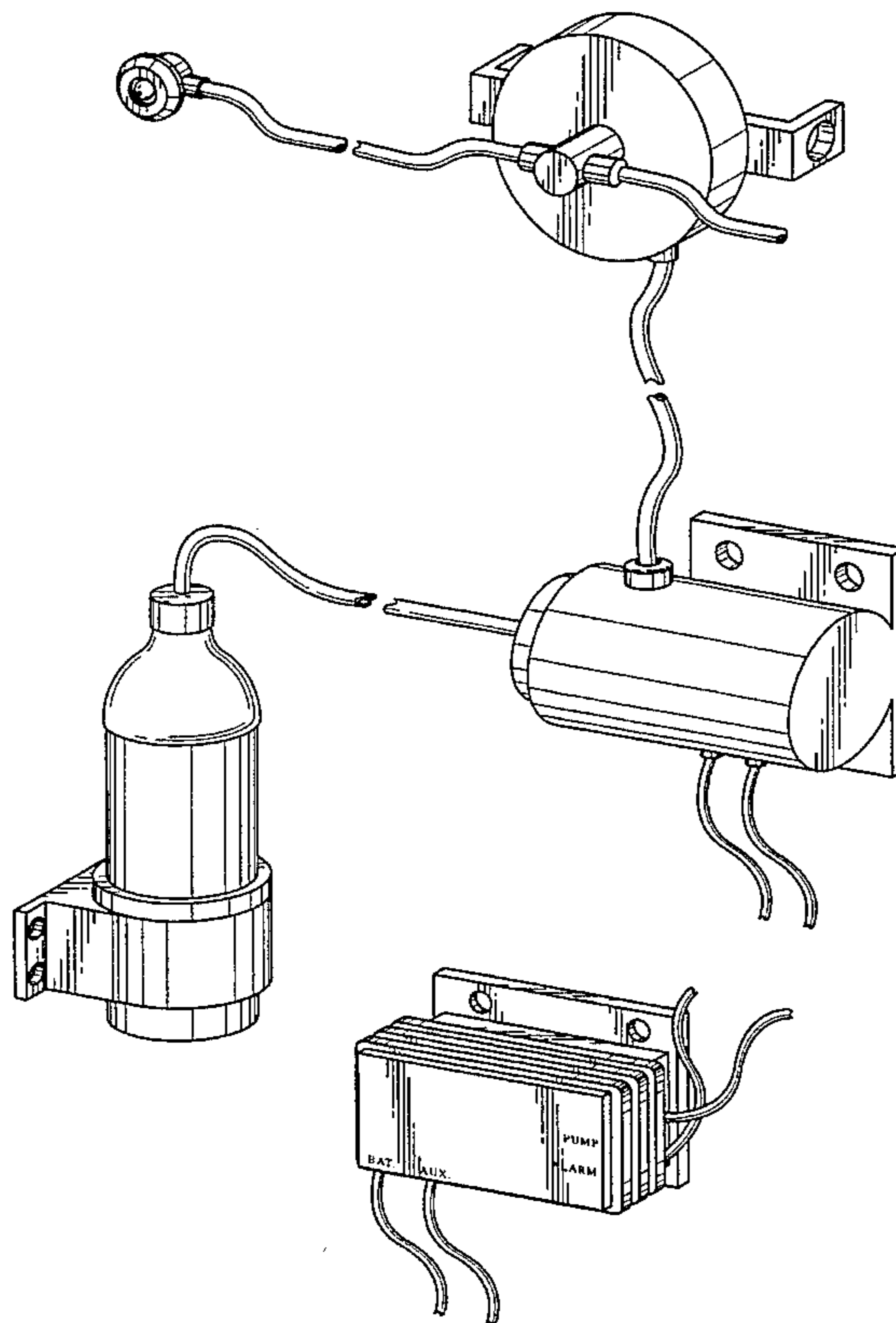
FIG. 18 is a left side view thereof;

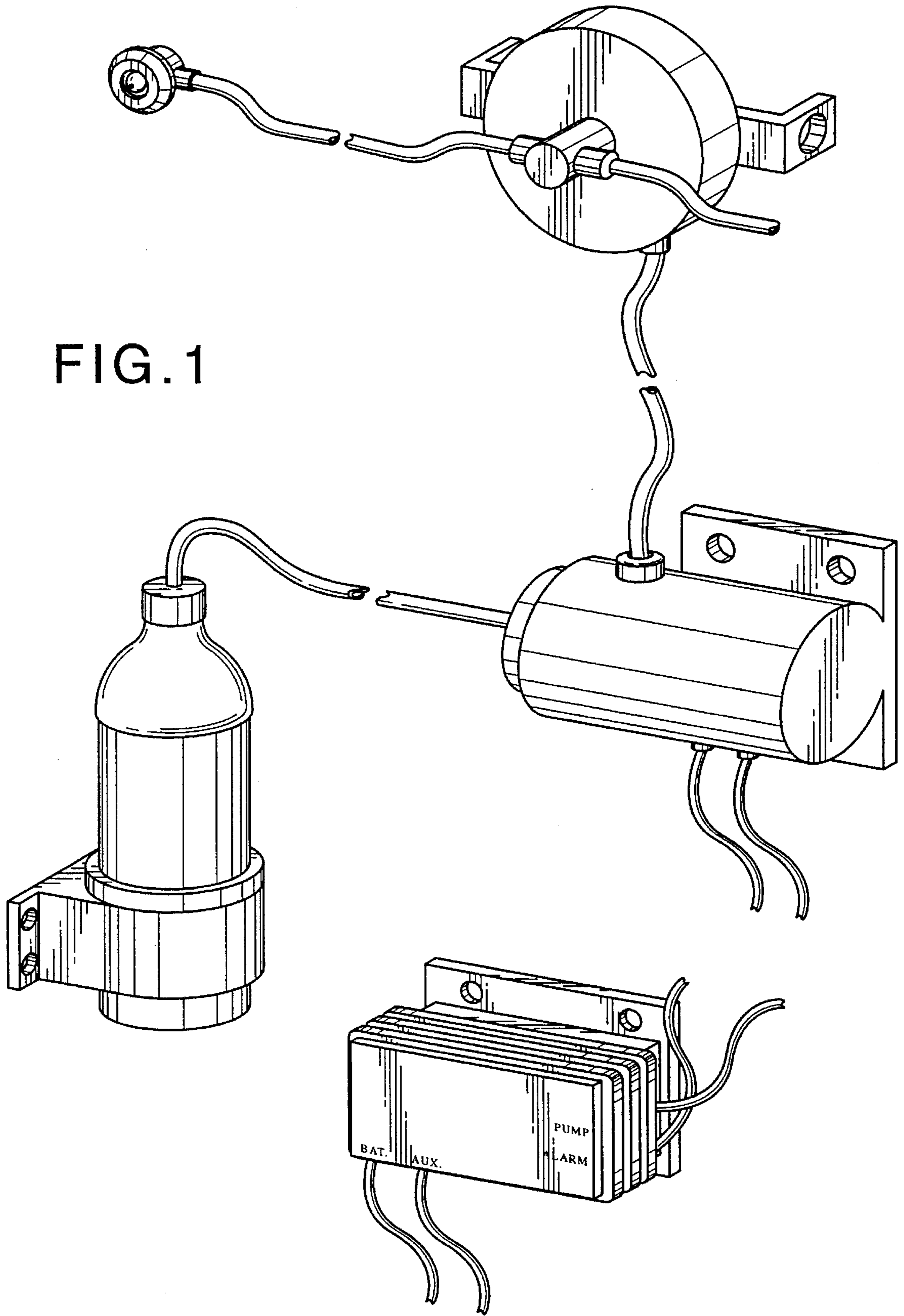
FIG. 19 is a right side view thereof;

FIG. 20 is a top view thereof; and,

FIG. 21 is a bottom view thereof.

1 Claim, 9 Drawing Sheets





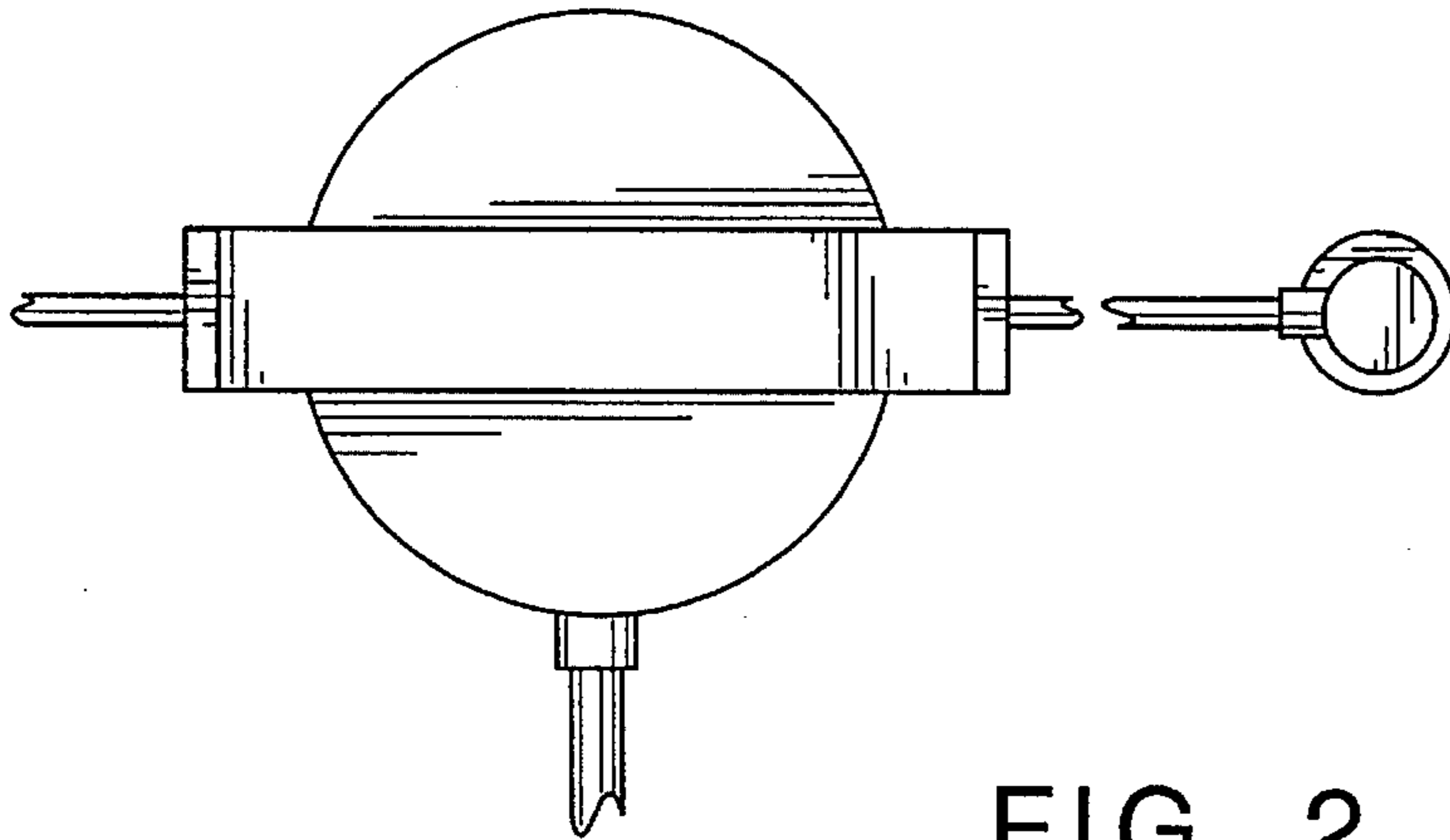


FIG. 2

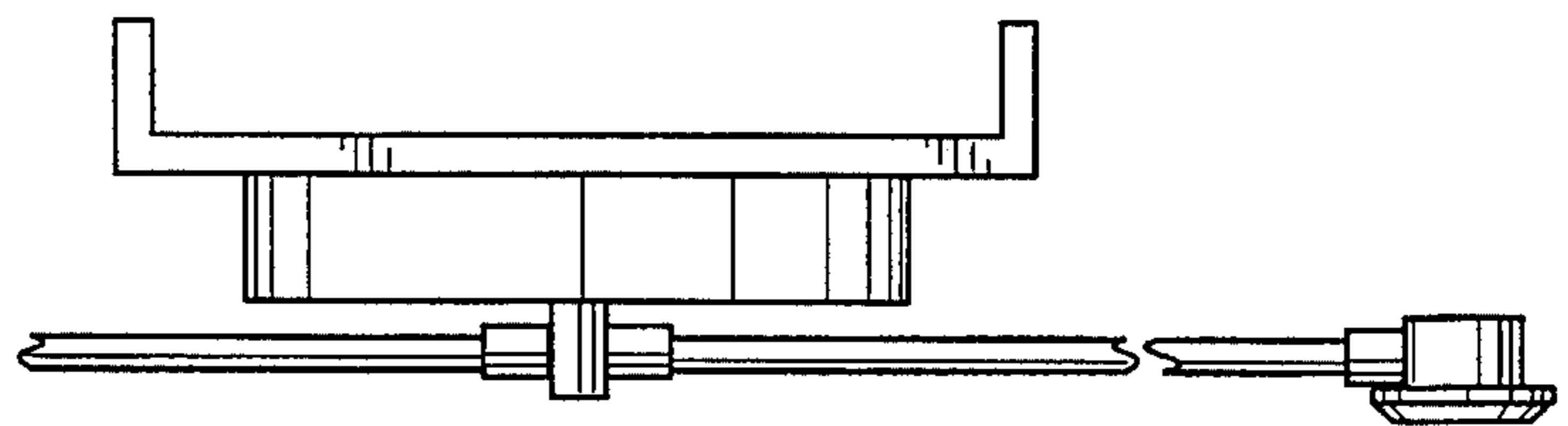
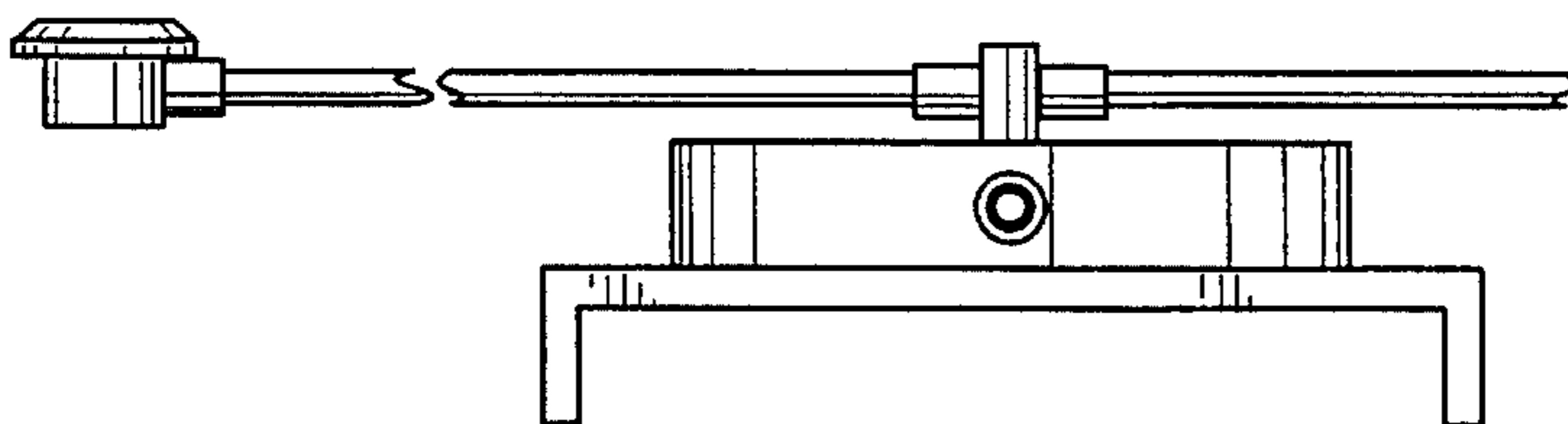


FIG. 3

FIG. 4



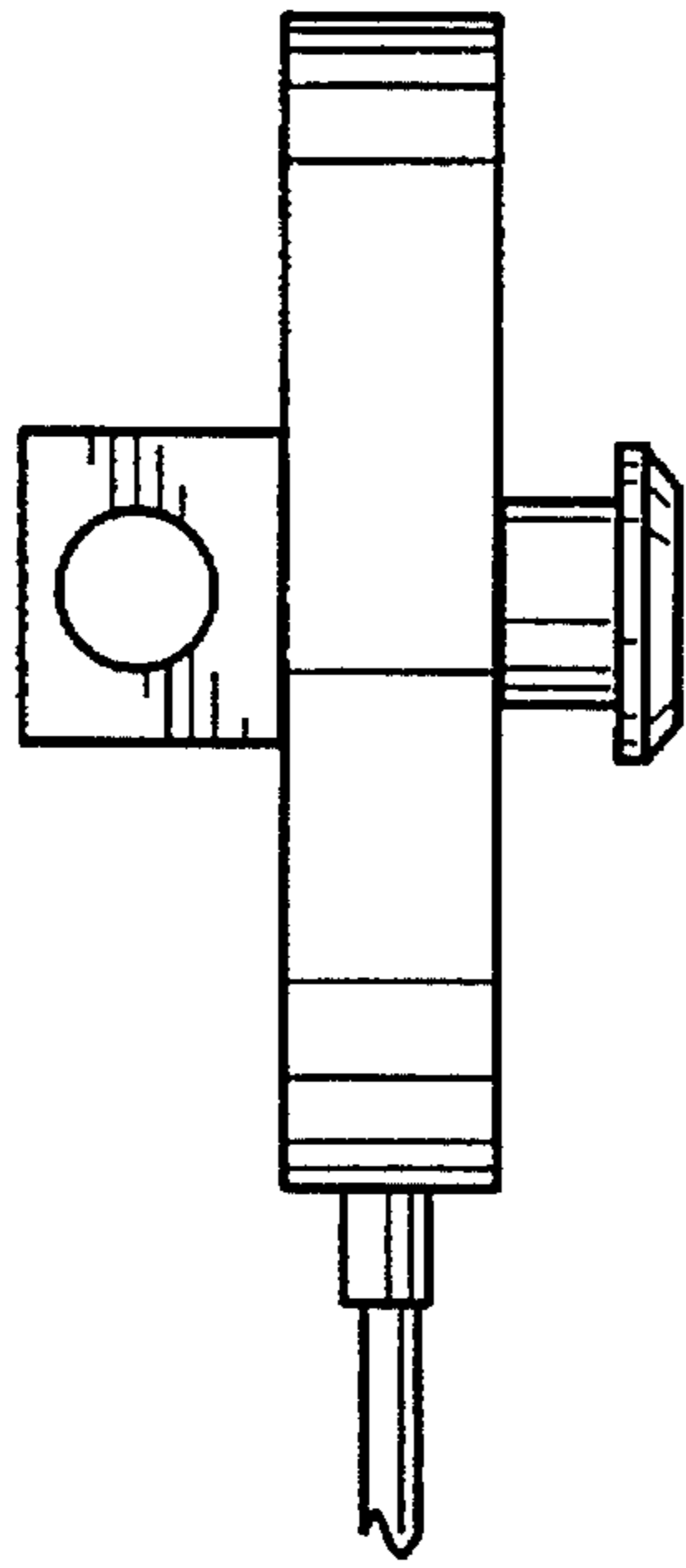
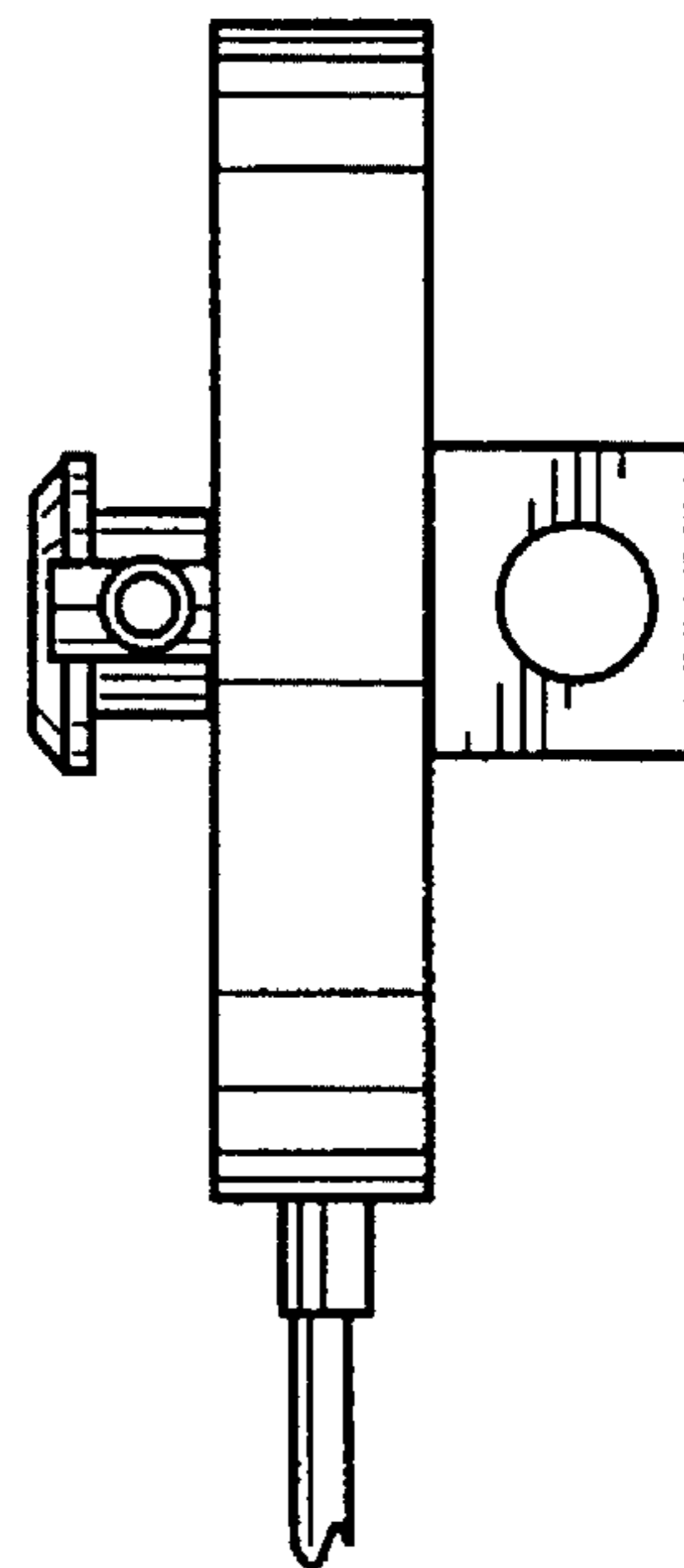


FIG. 5

FIG. 6



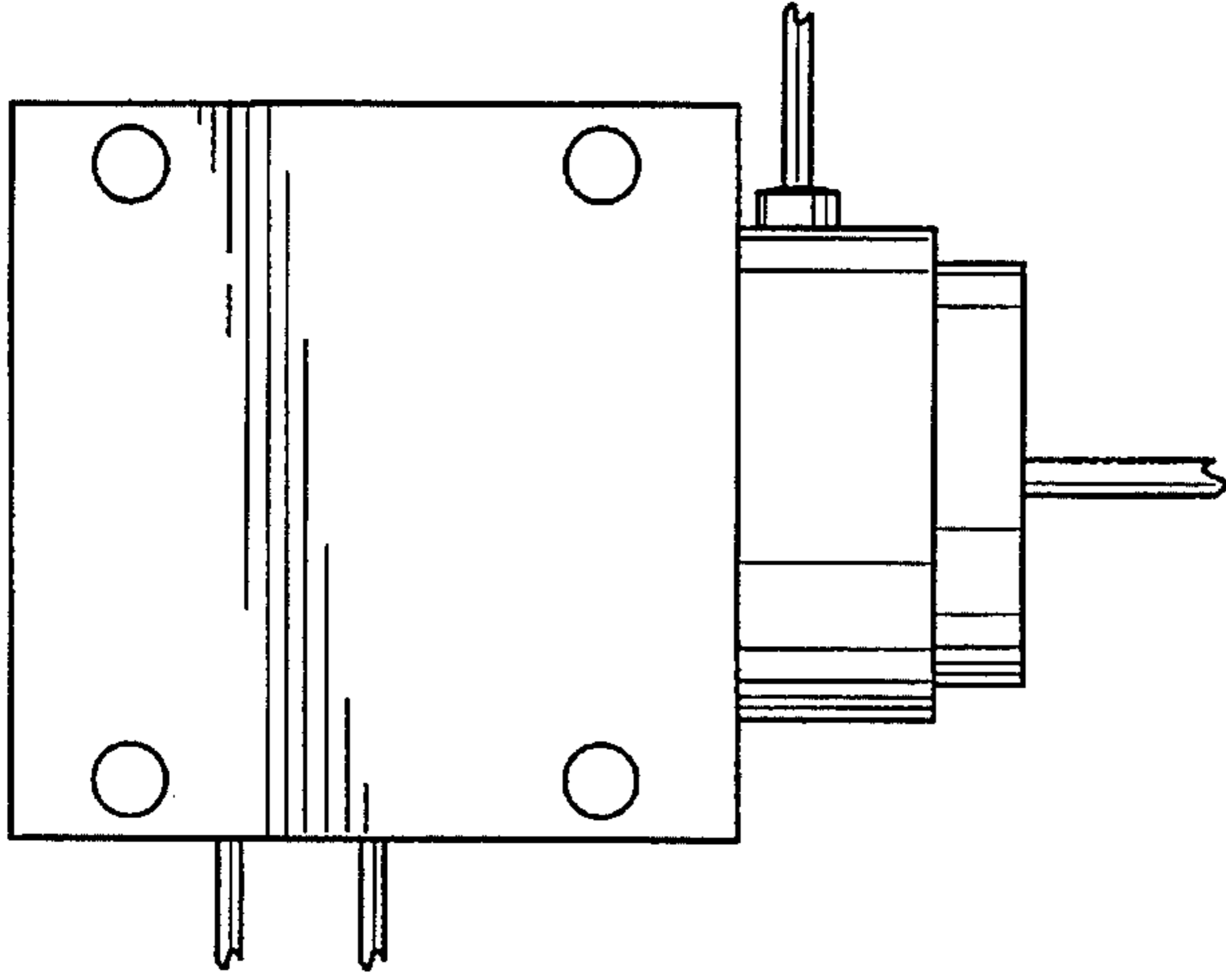


FIG. 7

FIG. 8

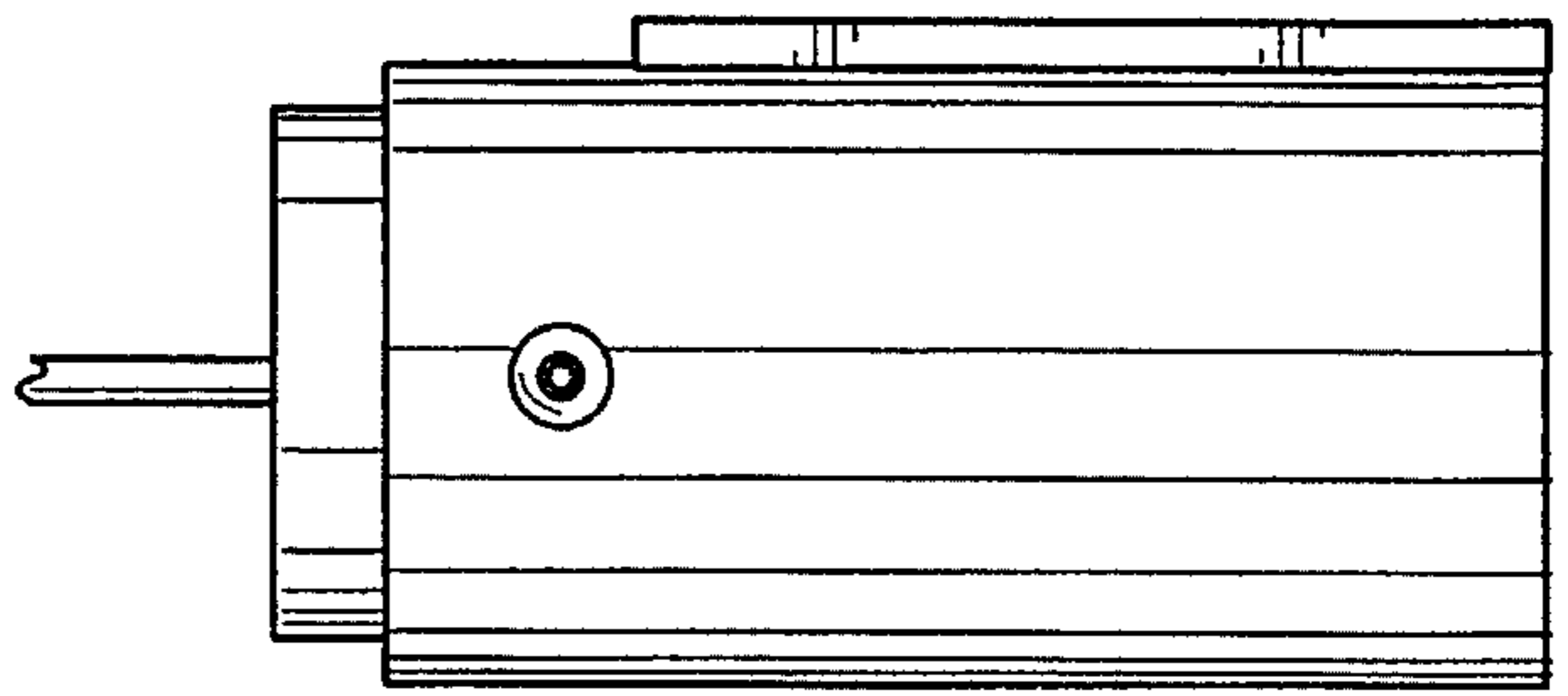
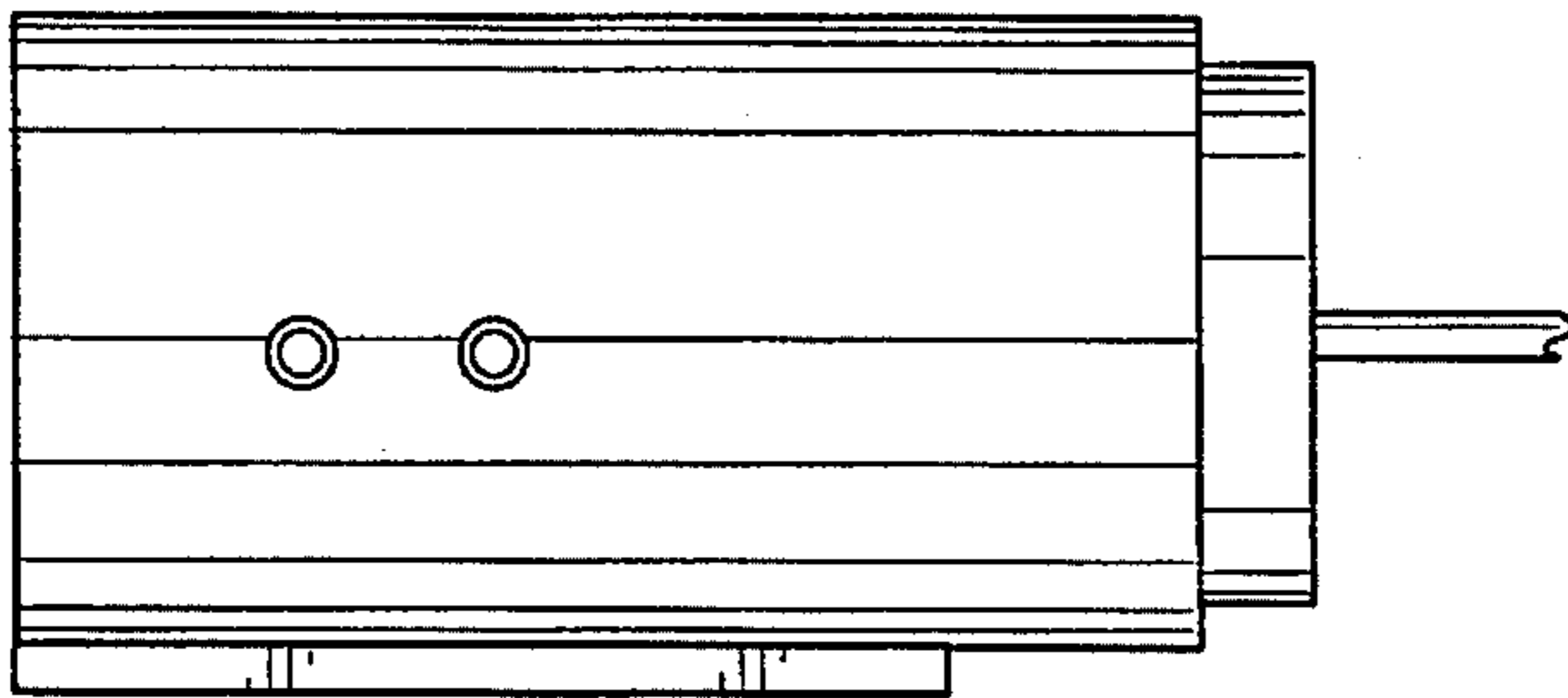


FIG. 9



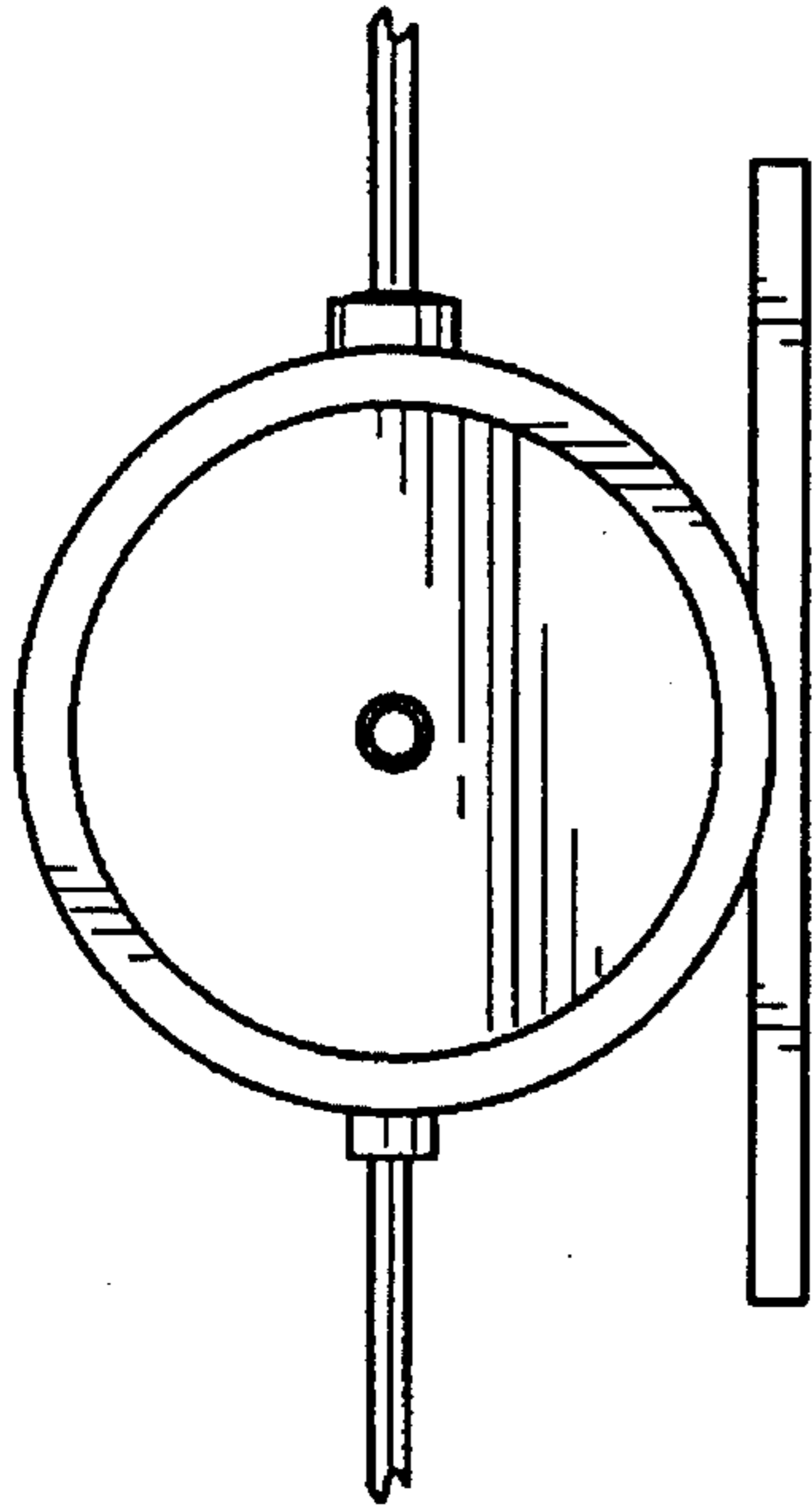


FIG. 10

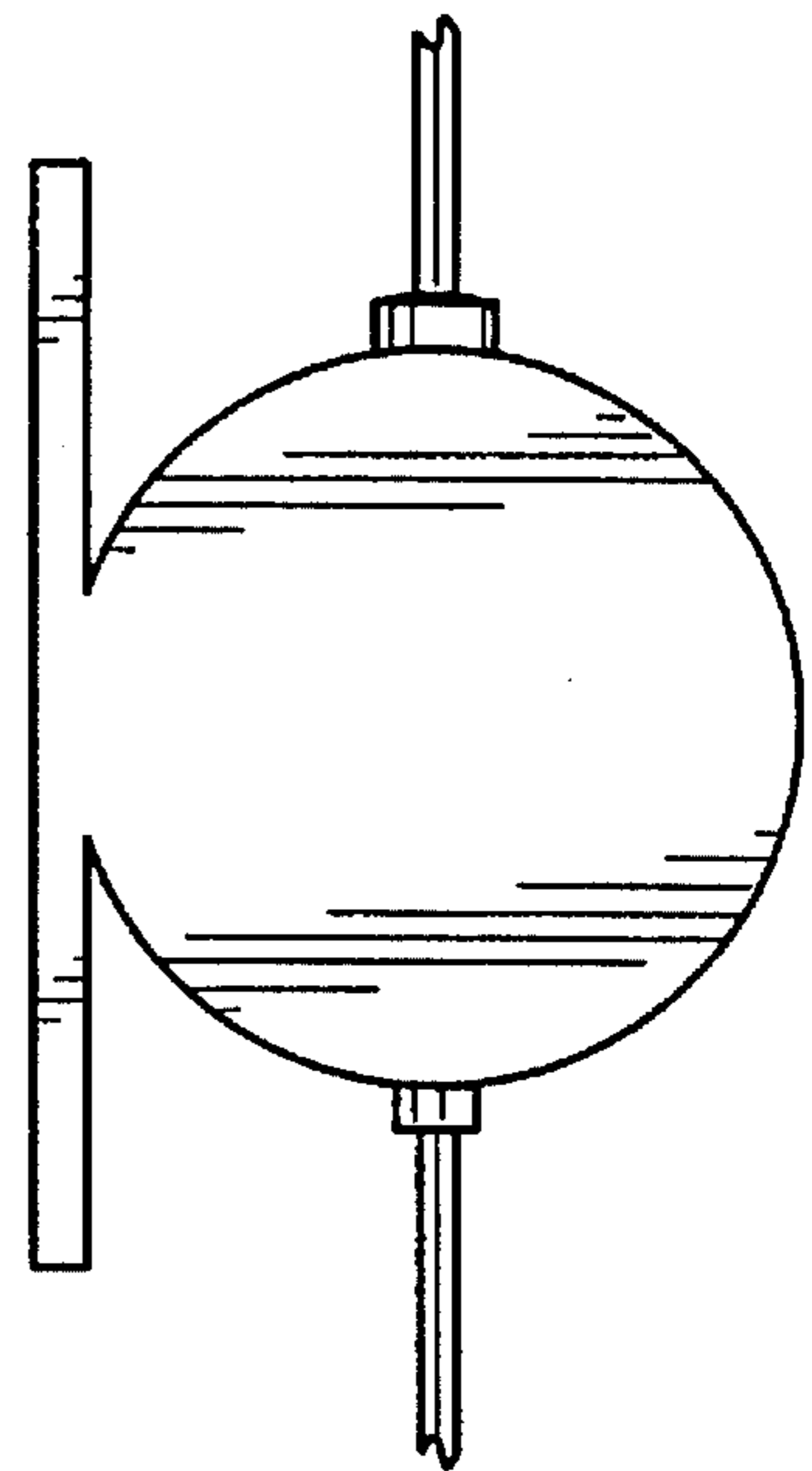


FIG. 11

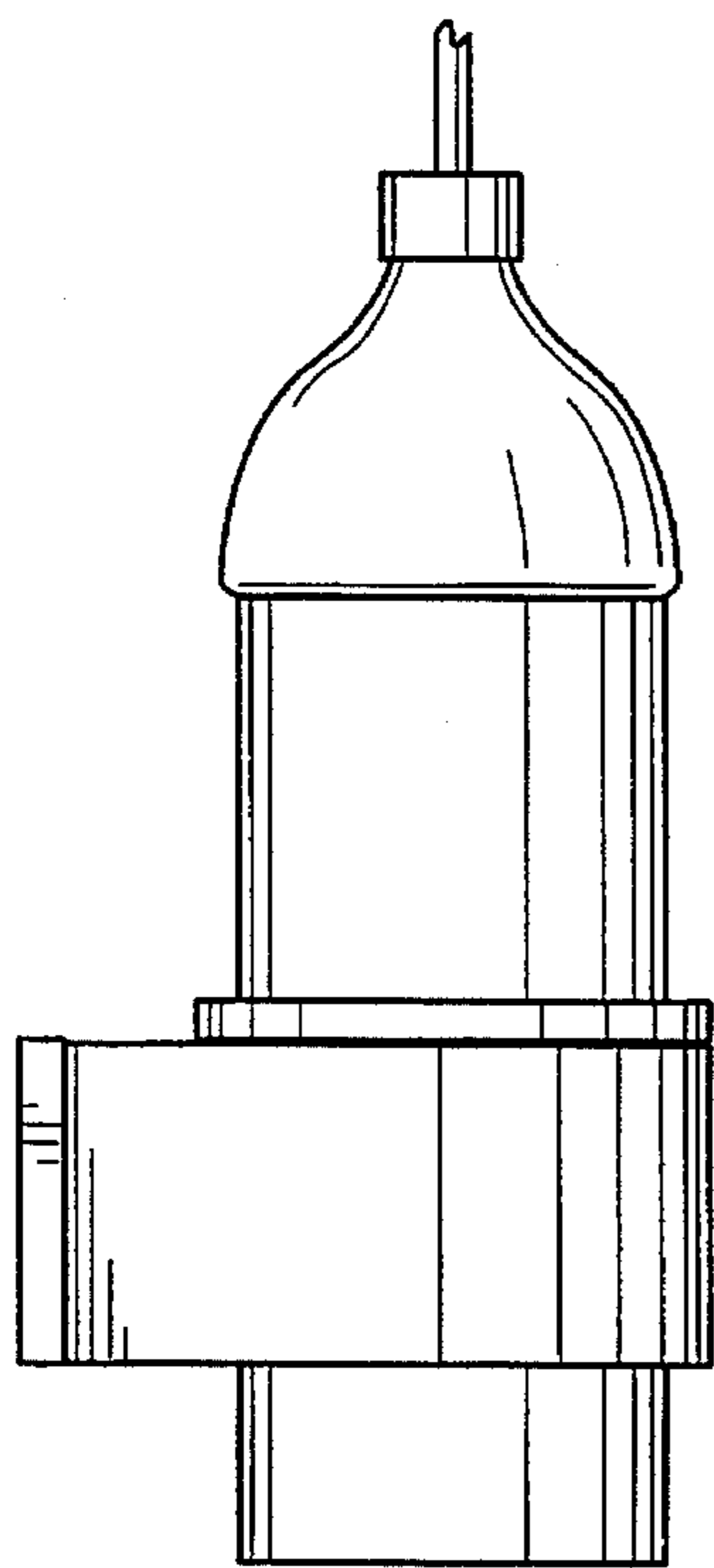


FIG. 12

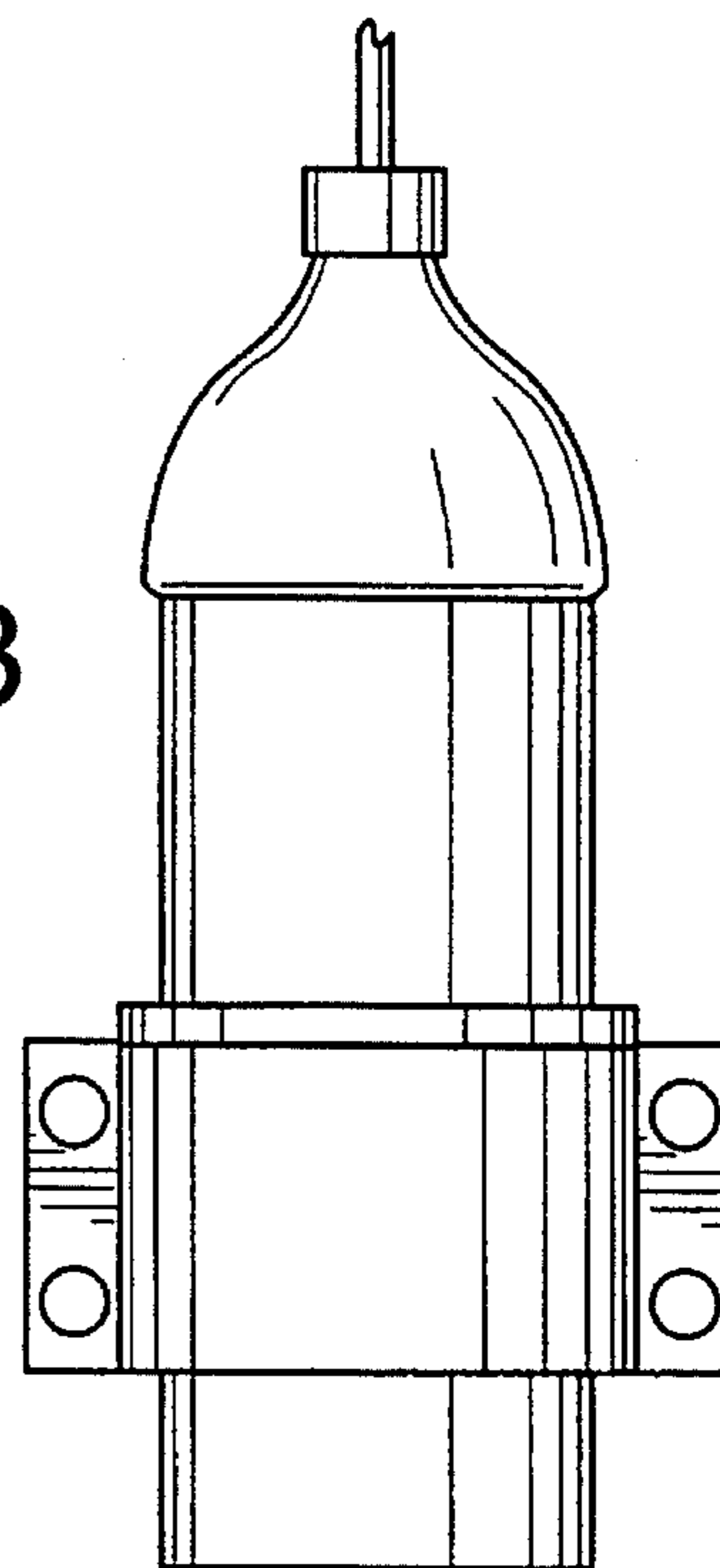


FIG. 13

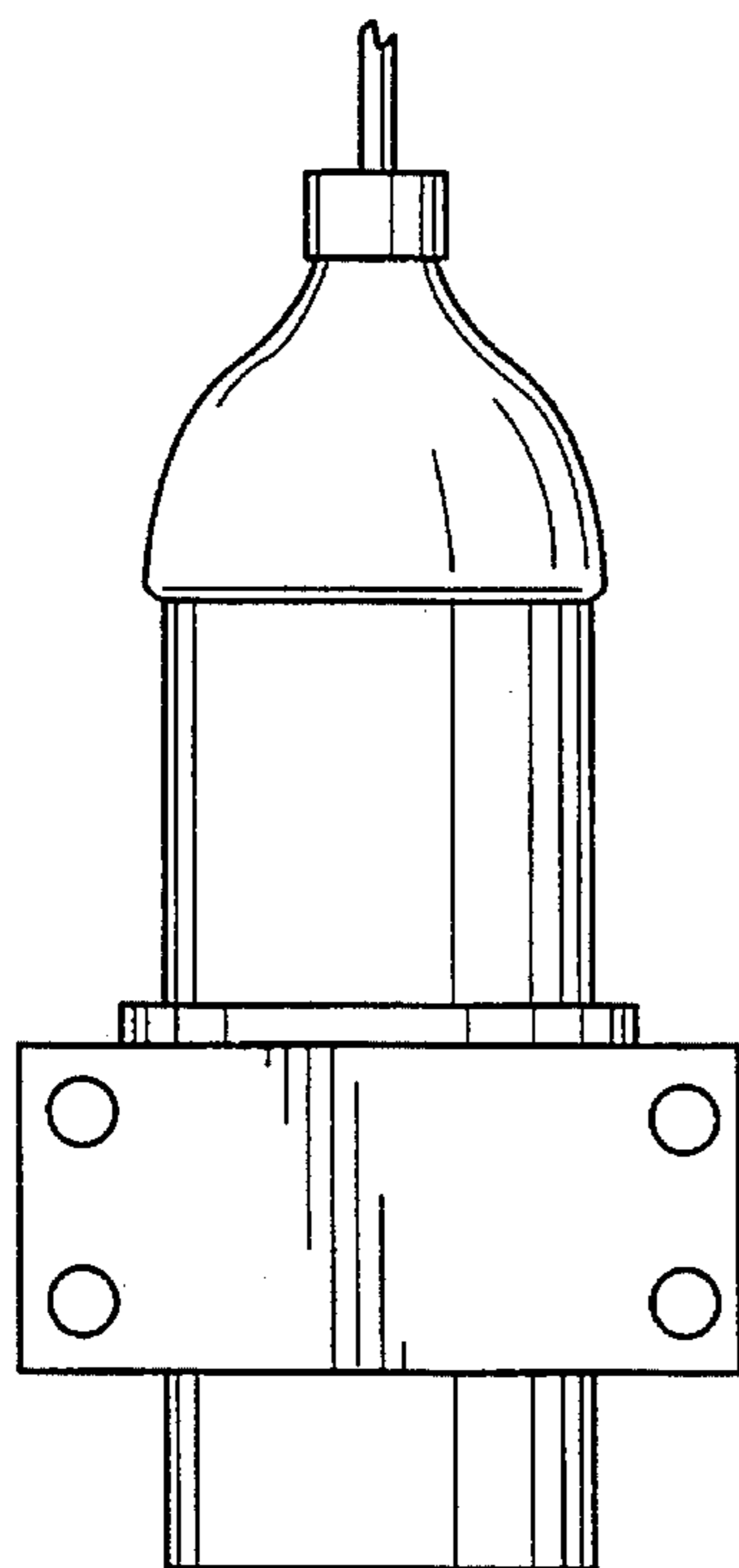


FIG. 14

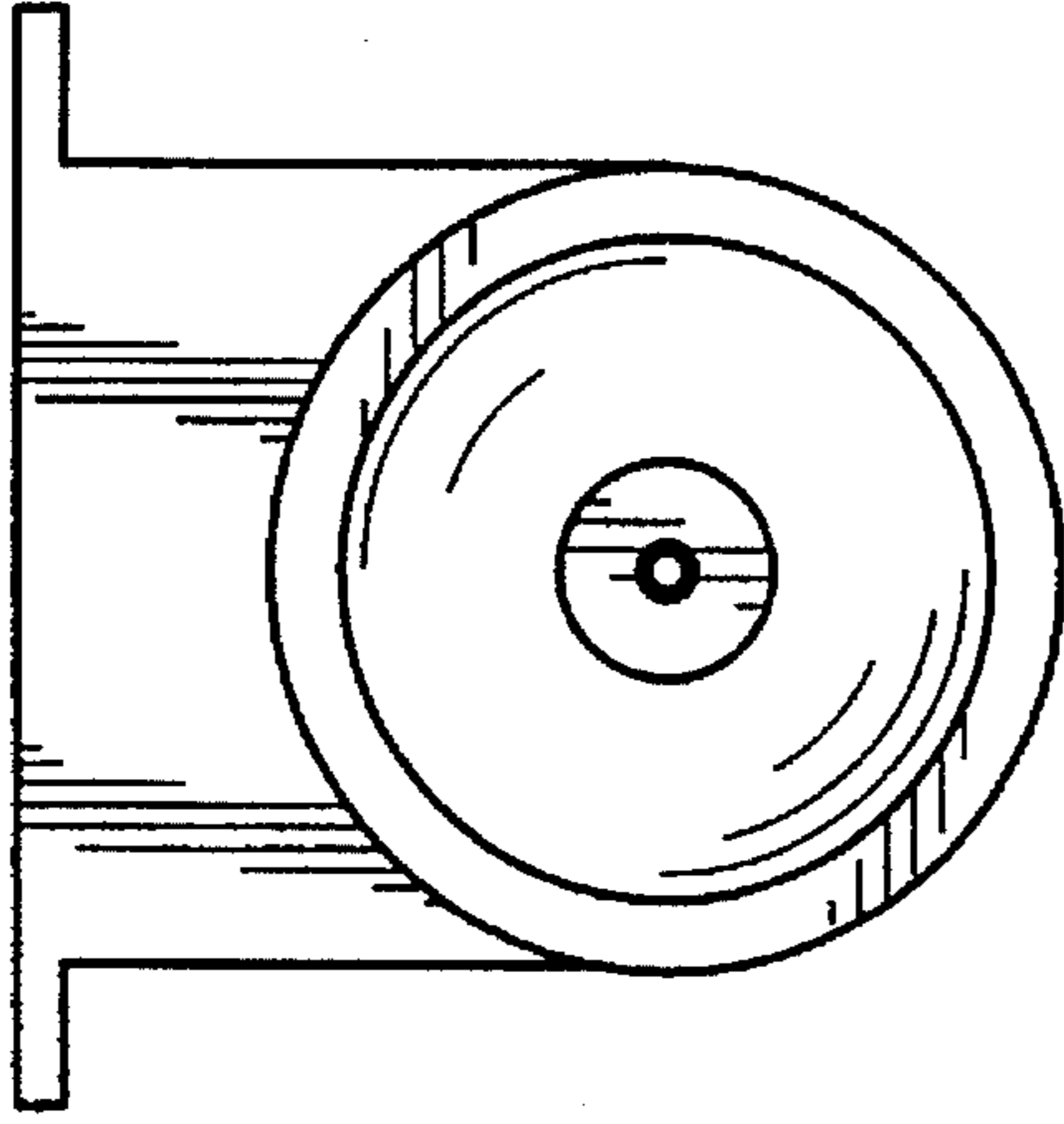


FIG. 15

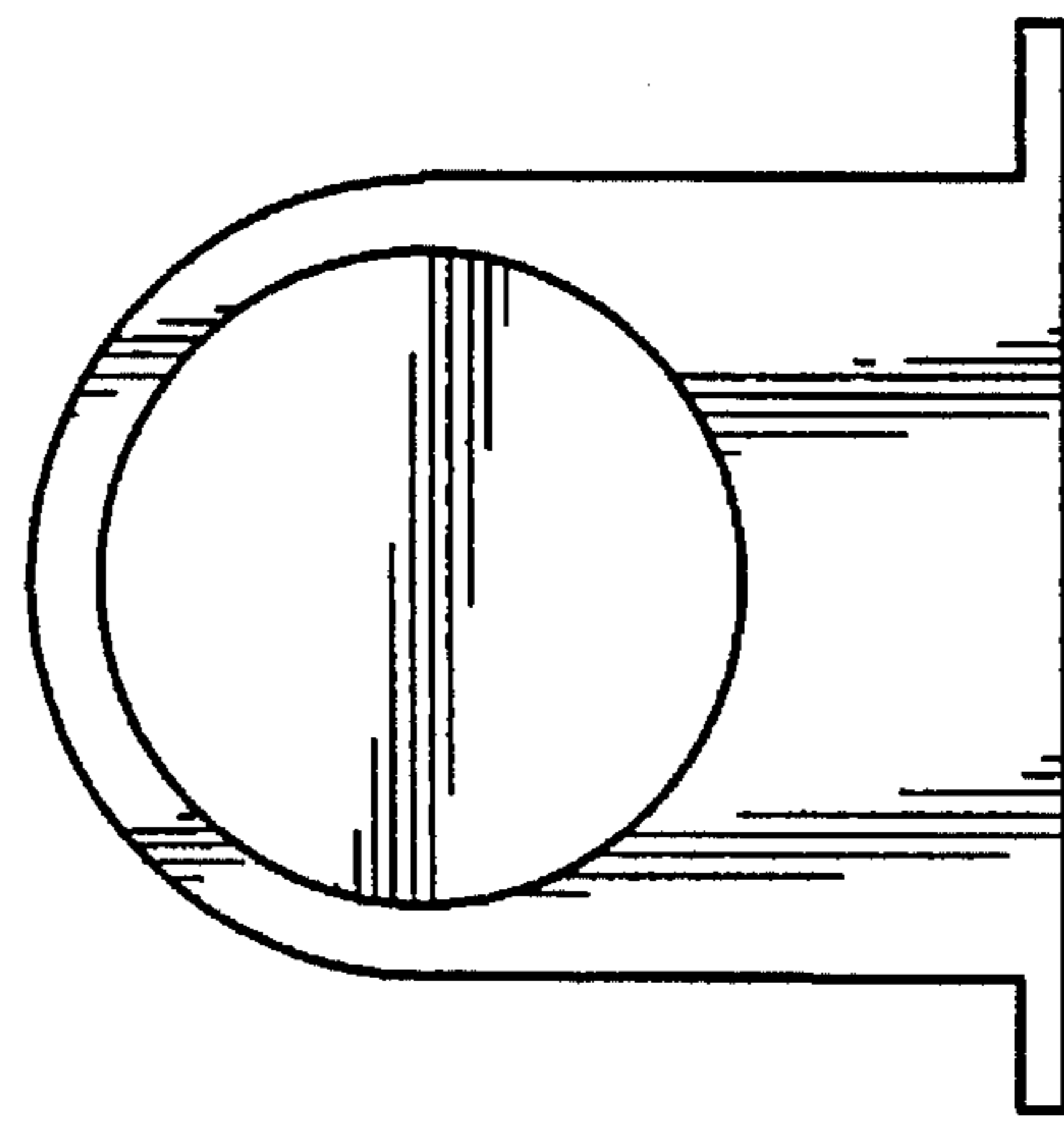


FIG. 16

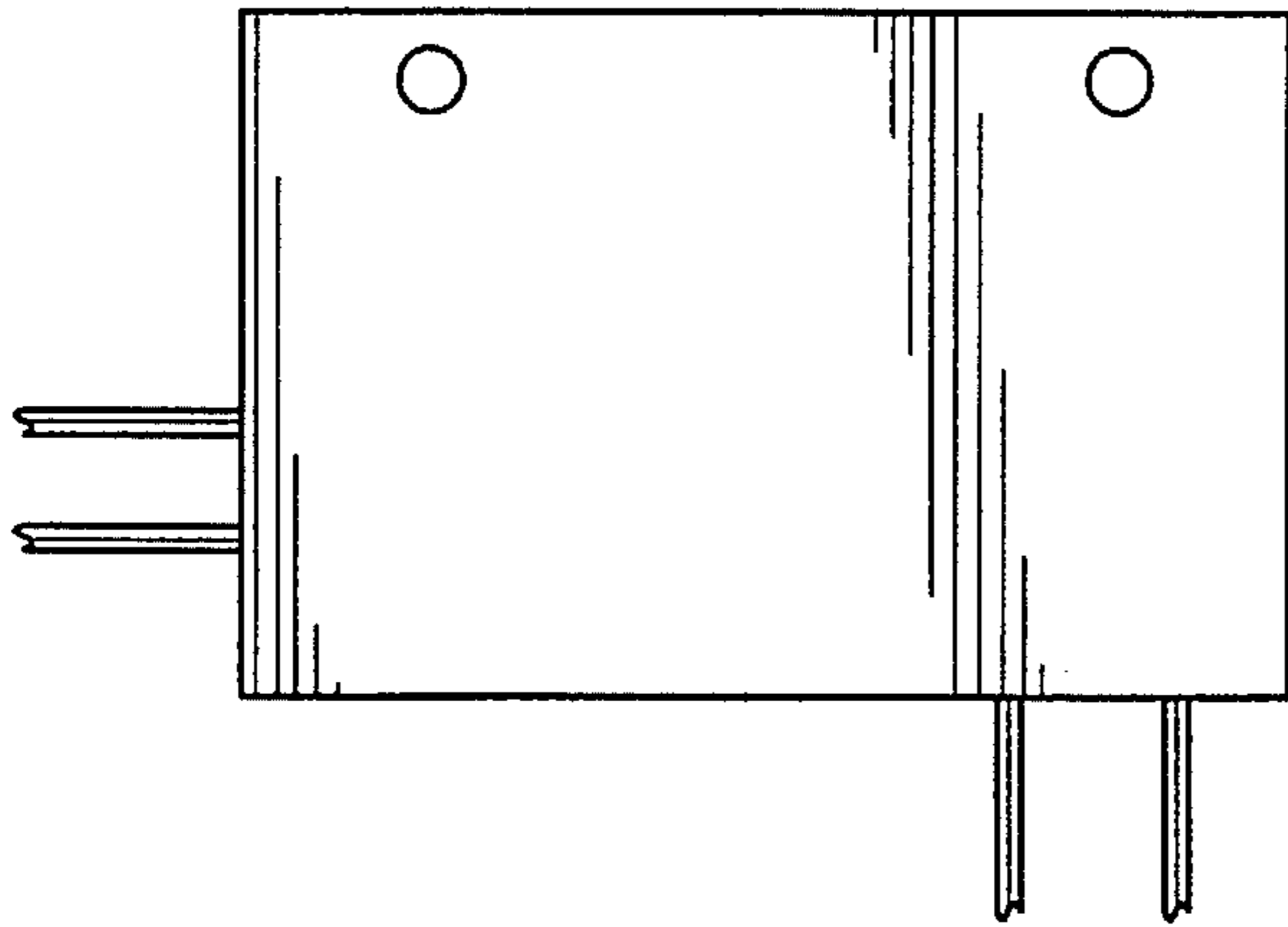


FIG. 17

FIG. 18

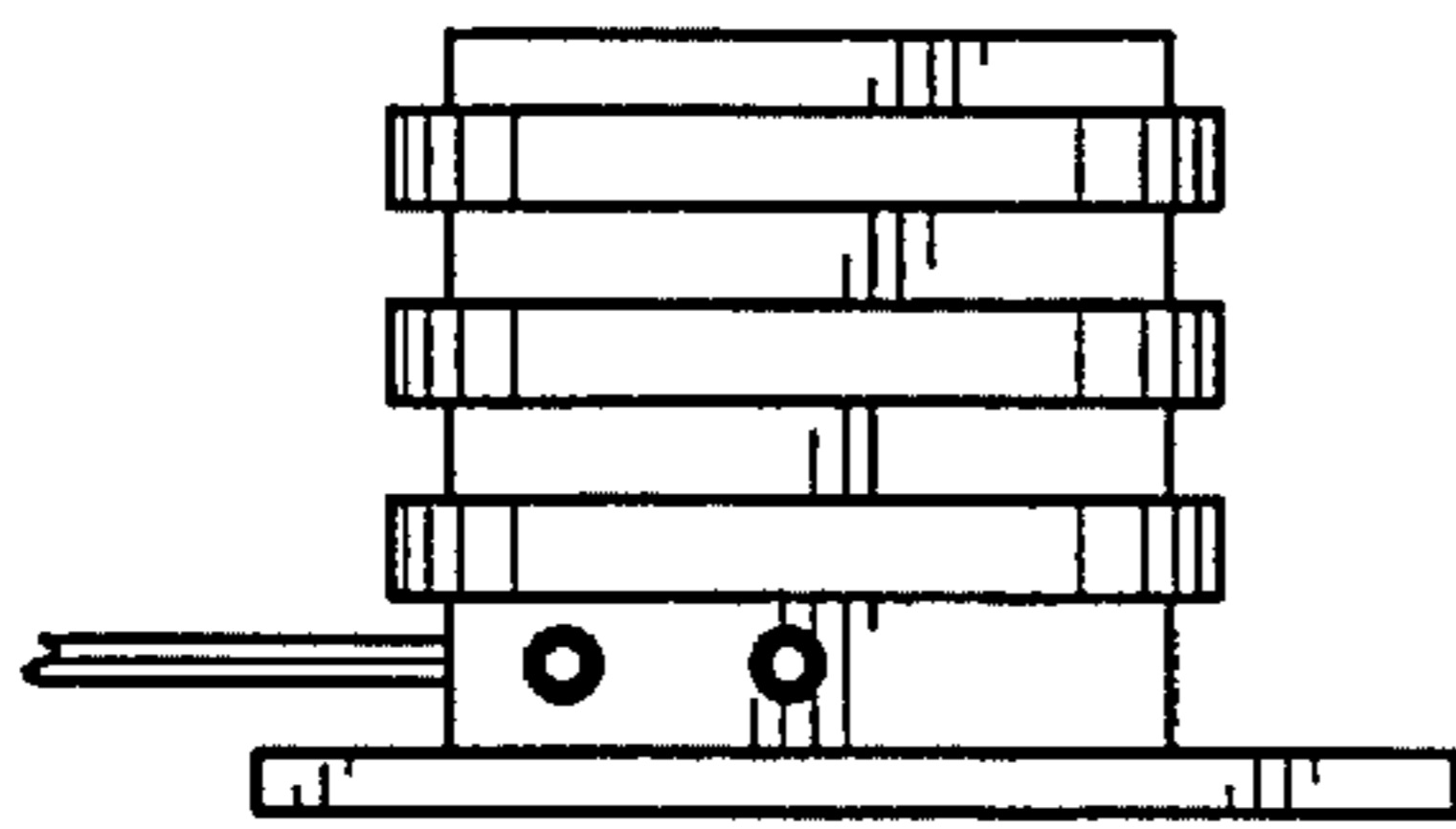
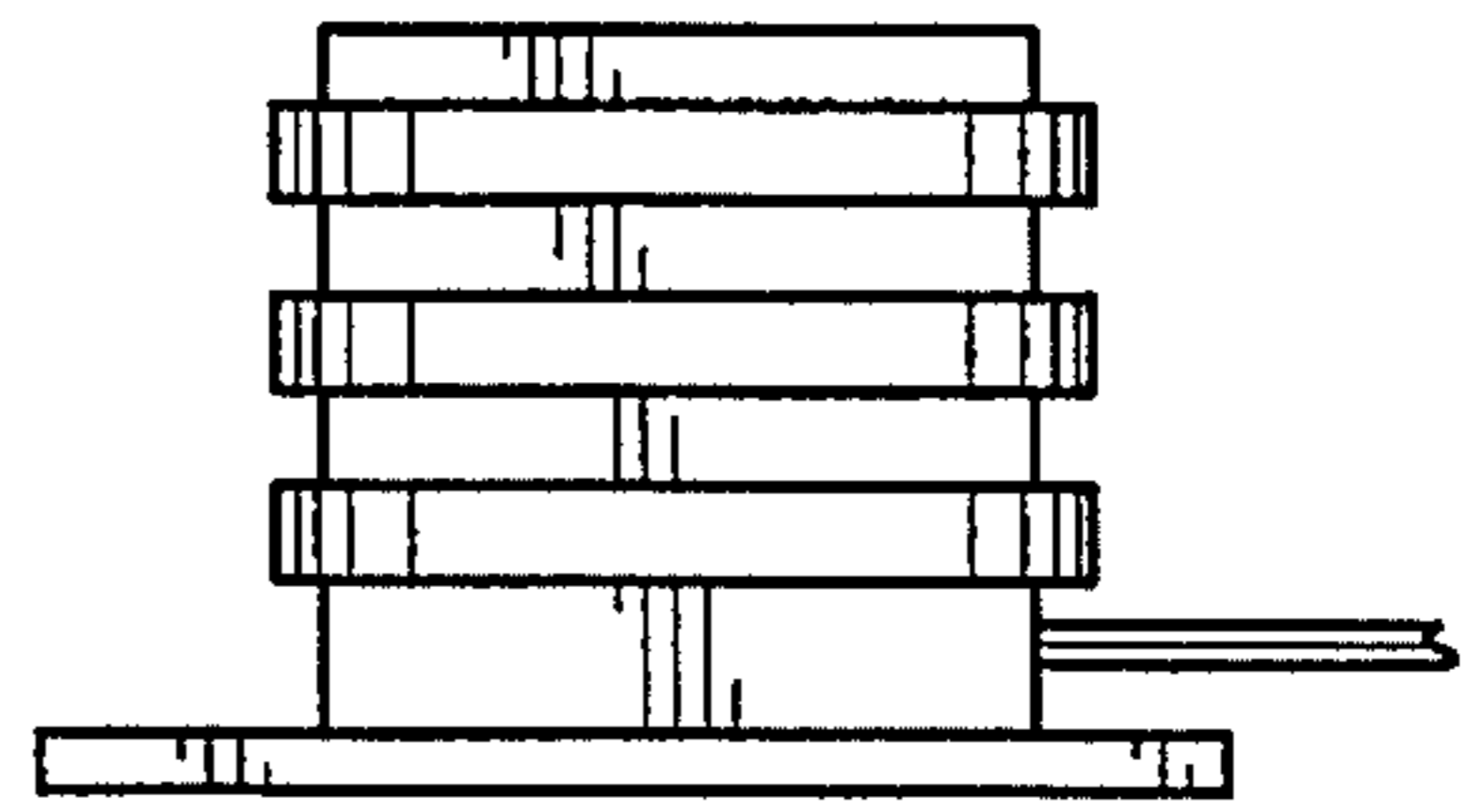


FIG. 19

FIG. 20

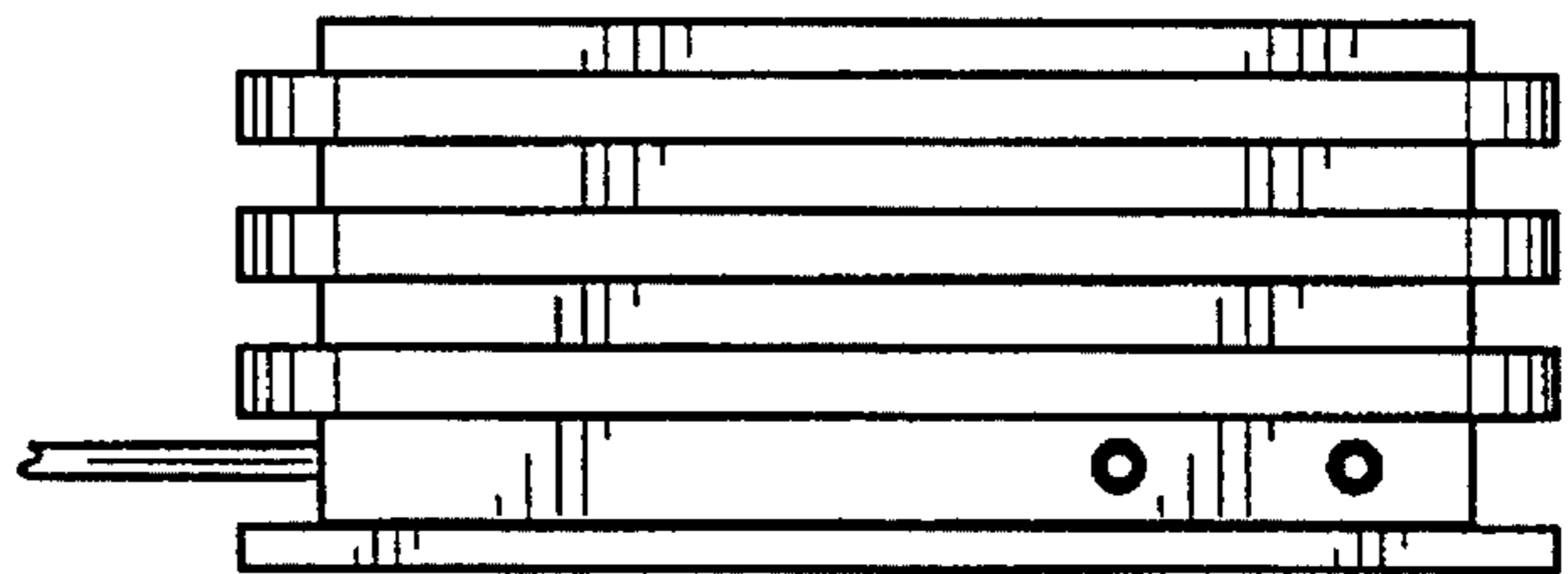
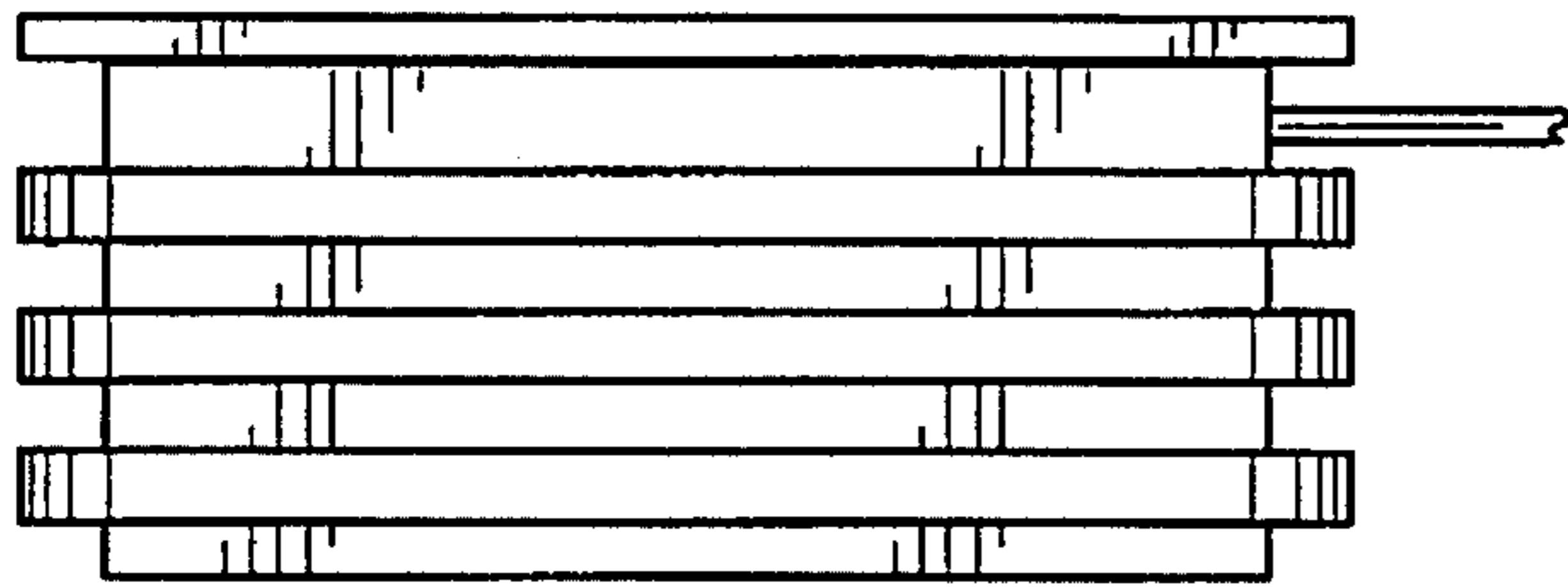


FIG. 21