



US00D376988S

United States Patent [19]

Bruno

[11] **Patent Number: Des. 376,988**

[45] **Date of Patent: **Dec. 31, 1996**

[54] **COMBINATION CUTTING GAUGE AND GUIDE**

[76] Inventor: **Anthony T. Bruno**, 69 Hawthorne Ave., Neptune City, N.J. 07753

[**] Term: **14 Years**

[21] Appl. No.: **51,709**

[22] Filed: **Mar. 15, 1996**

[52] U.S. Cl. **D10/65; D10/62**

[58] **Field of Search** D10/62, 65; D24/140; 33/340, 201, 202, 418, 422, 437, 464-467, 483, DIG. 20; 83/522.25

[56] **References Cited**

U.S. PATENT DOCUMENTS

201,371	3/1878	Walter	33/340
206,315	7/1878	Griffin	33/418 X
4,128,030	12/1978	Kundikoff	D10/65 X
4,574,492	3/1986	Miller	33/464 X

Primary Examiner—Antoine Duval Davis
Attorney, Agent, or Firm—Patrick J. Pinto

[57] **CLAIM**

The ornamental design for a combination cutting gauge and guide, as shown and described.

DESCRIPTION

FIG. 1 is a top, front, left side perspective of a combination cutting gauge and guide, showing my new design; a cutting gauge arm is depicted in a gauging position in dashed outline;

FIG. 2 is a bottom, rear, right side perspective view thereof; and,

FIG. 3 is a top perspective in the same direction as FIG. 1 and illustrating my new design being used with an article to be gauged and cut.

The dashed outline depicted in FIG. 3 representing the article to be cut, a tape measure, and a clamp are not part of my claimed design.

1 Claim, 1 Drawing Sheet

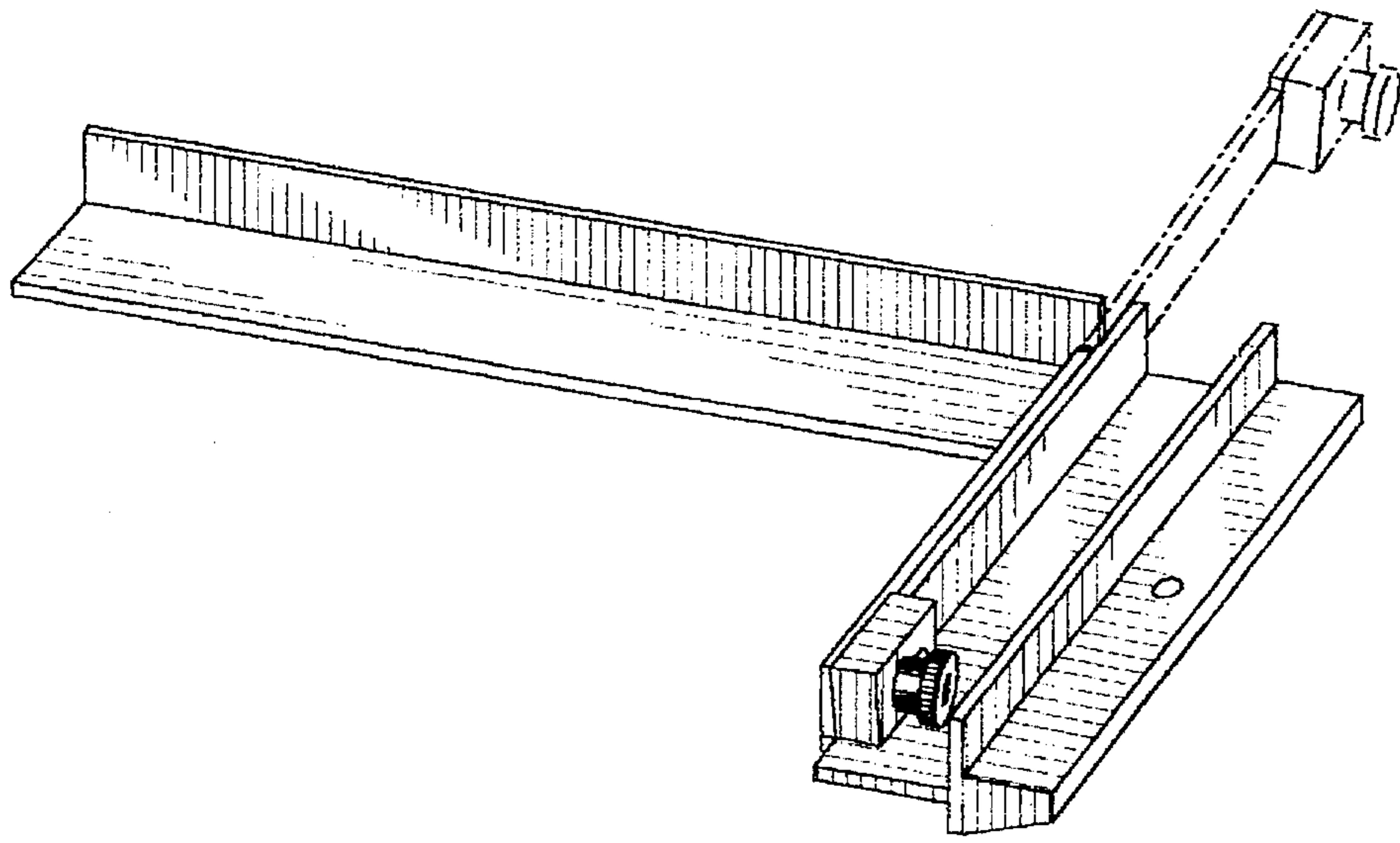


FIG. 1

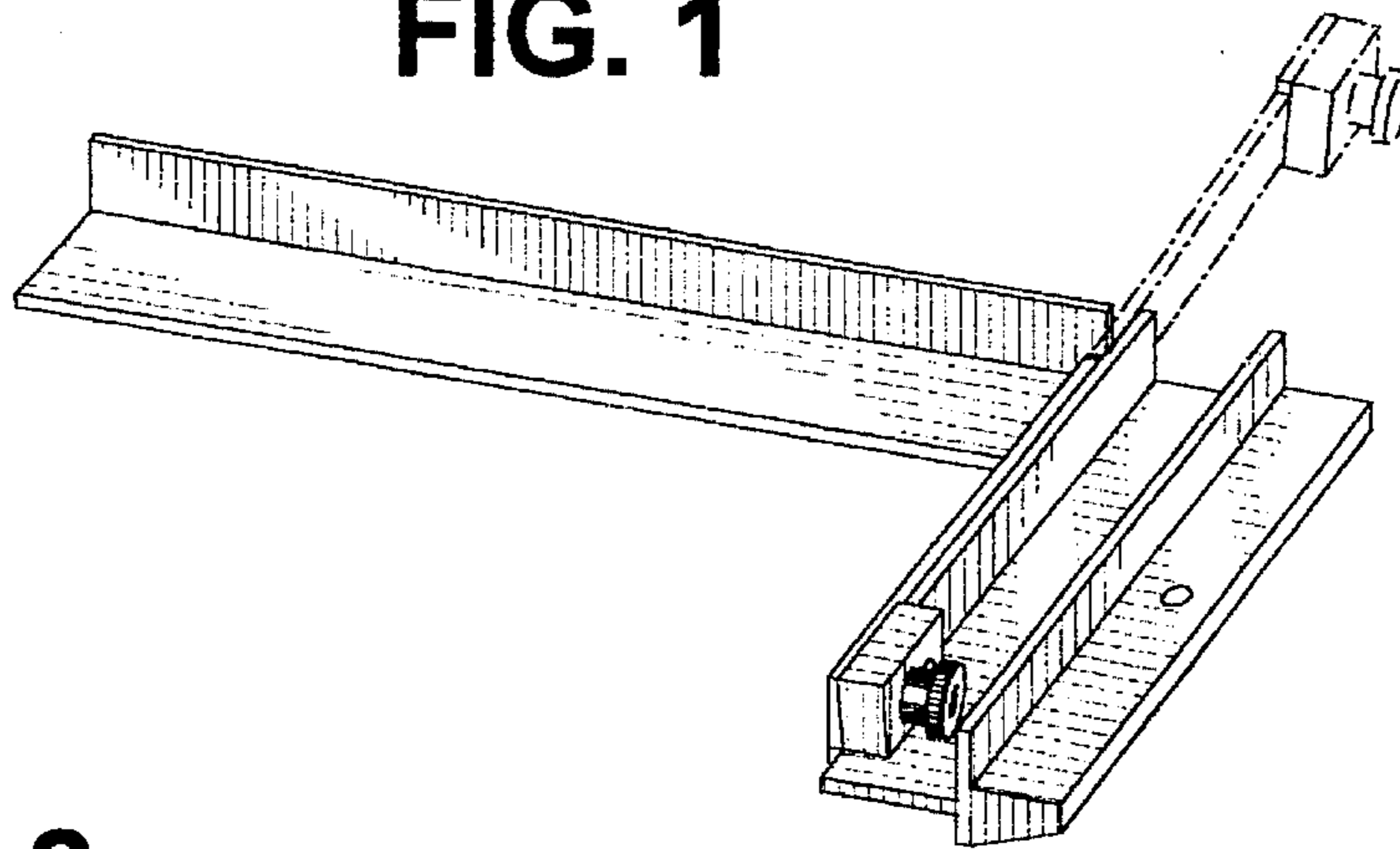


FIG. 2

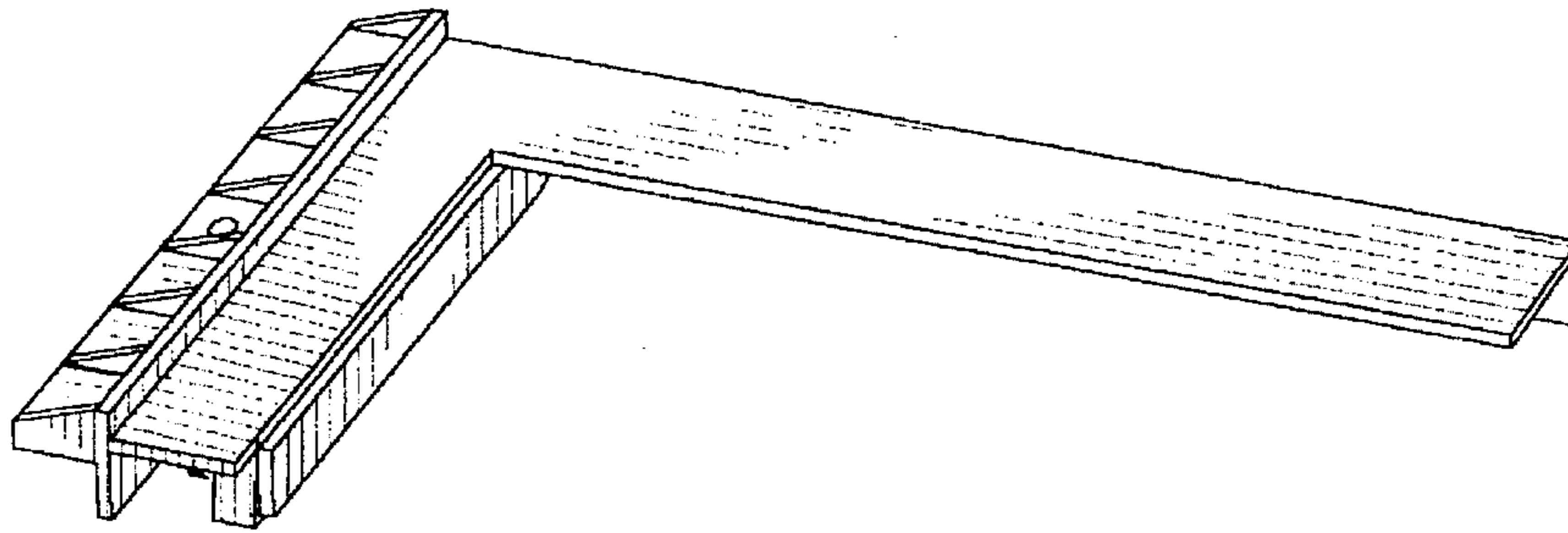


FIG. 3

