



US00D376984S

United States Patent [19] Moore

[11] Patent Number: **Des. 376,984**

[45] Date of Patent: ****Dec. 31, 1996**

[54] **WALL CLOCK**

[75] Inventor: **Shan-Ker Moore**, Taichung Hsien, Taiwan

[73] Assignee: **Centre Clock Industry Co., Ltd.**, Taichung Hsien, Taiwan

[**] Term: **14 Years**

[21] Appl. No.: **48,073**

[22] Filed: **Dec. 19, 1995**

[52] U.S. Cl. **D10/24; D10/26**

[58] Field of Search **D10/1-40, 122-132; 368/276-277, 285, 316-317**

[56] **References Cited**

U.S. PATENT DOCUMENTS

D. 97,342 10/1935 Van Bloem D10/26 X
D. 344,900 3/1994 Tamura D10/24 X

OTHER PUBLICATIONS

Home Furnishings Daily—Mar. 30, 1987; p. 112—clock at top-left.

Primary Examiner—Nelson C. Holtje
Attorney, Agent, or Firm—Browdy and Neimark

[57] **CLAIM**

The ornamental design for “wall clock”, as shown and described.

DESCRIPTION

FIG. 1 is a perspective view of wall clock showing my new design;

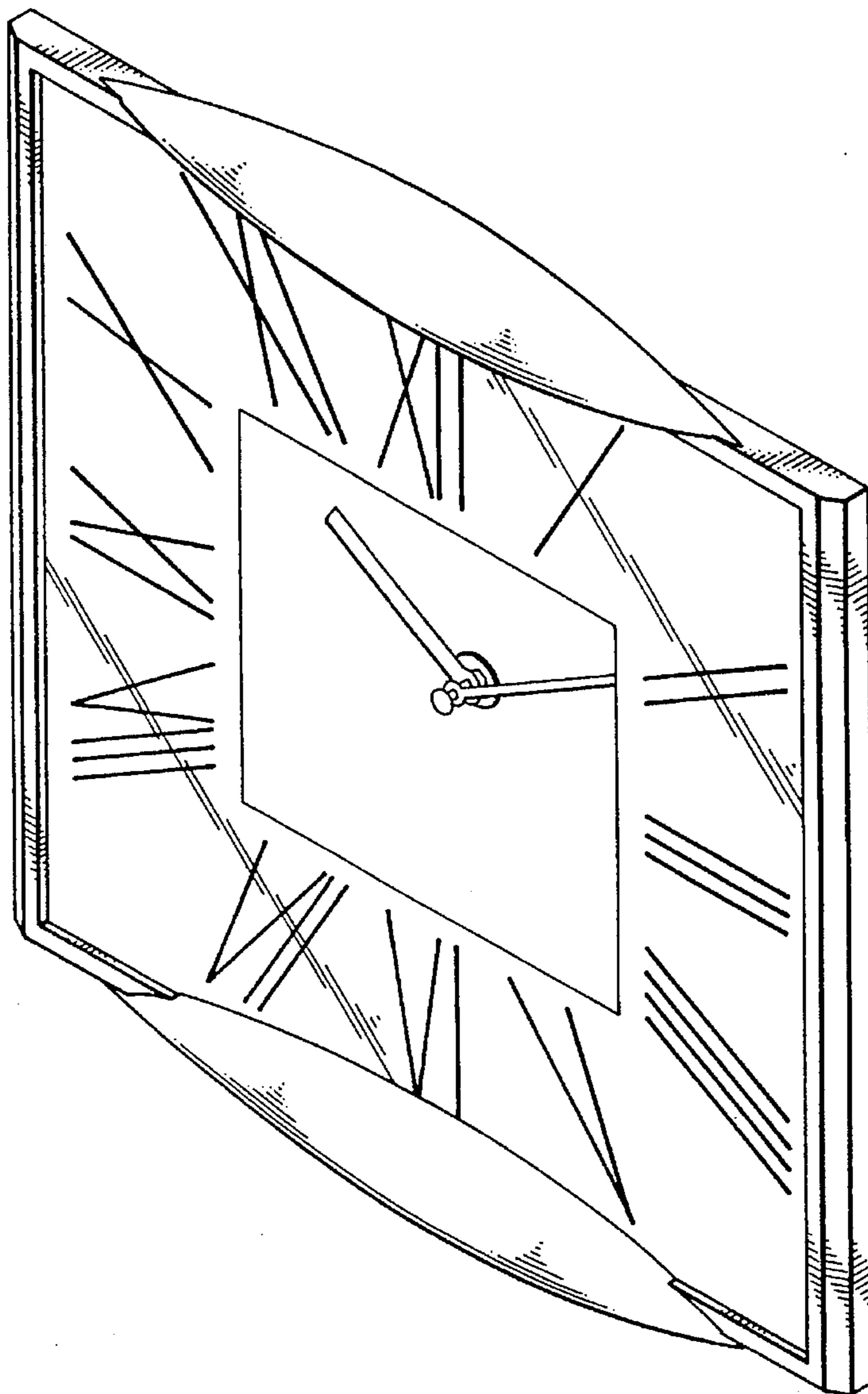
FIG. 2 is a front view thereof;

FIG. 3 is a rear view thereof;

FIG. 4 is a left side view thereof, the right side is identical; and,

FIG. 5 is a top view thereof, the bottom view is identical.

1 Claim, 3 Drawing Sheets



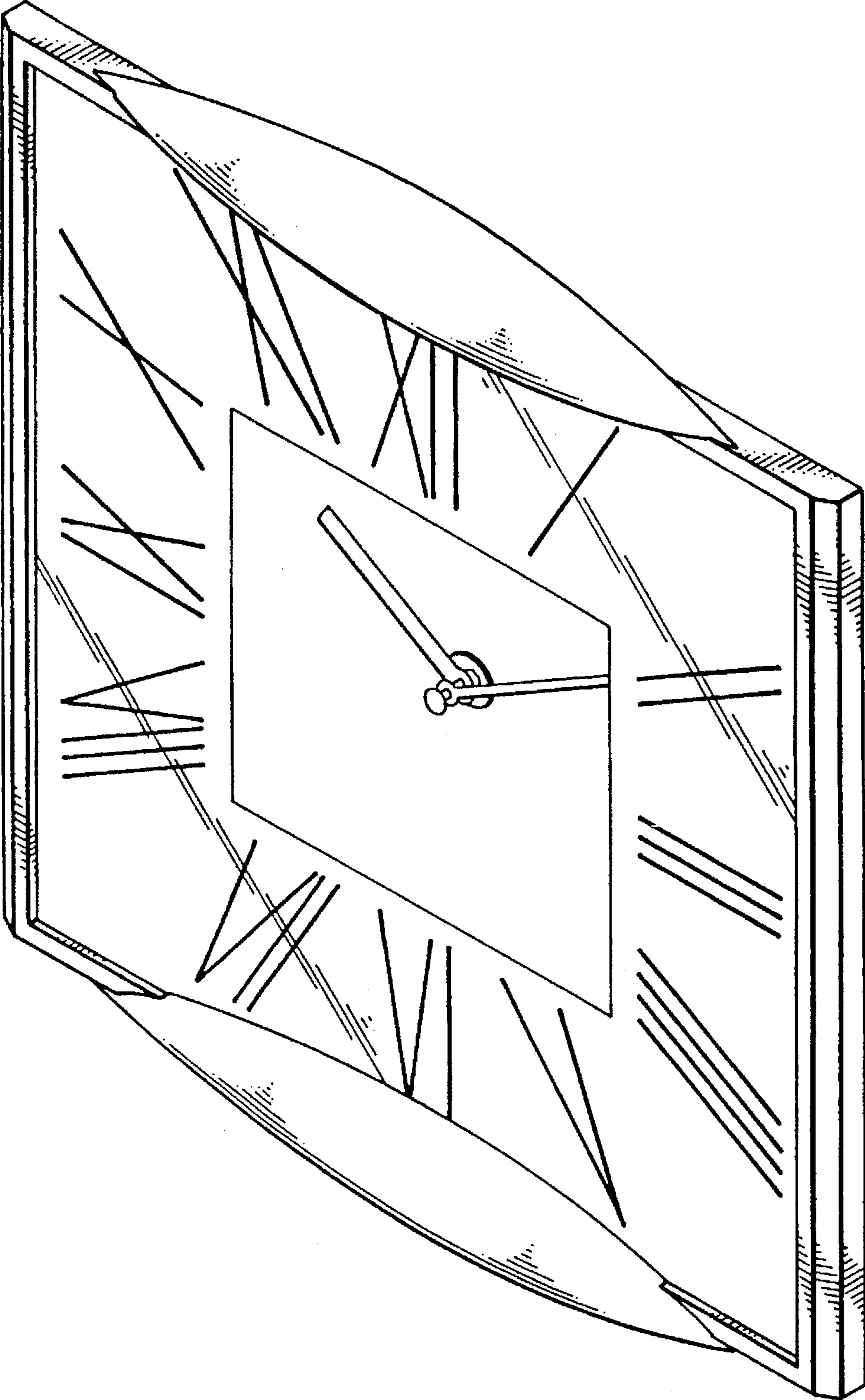


FIG. 1

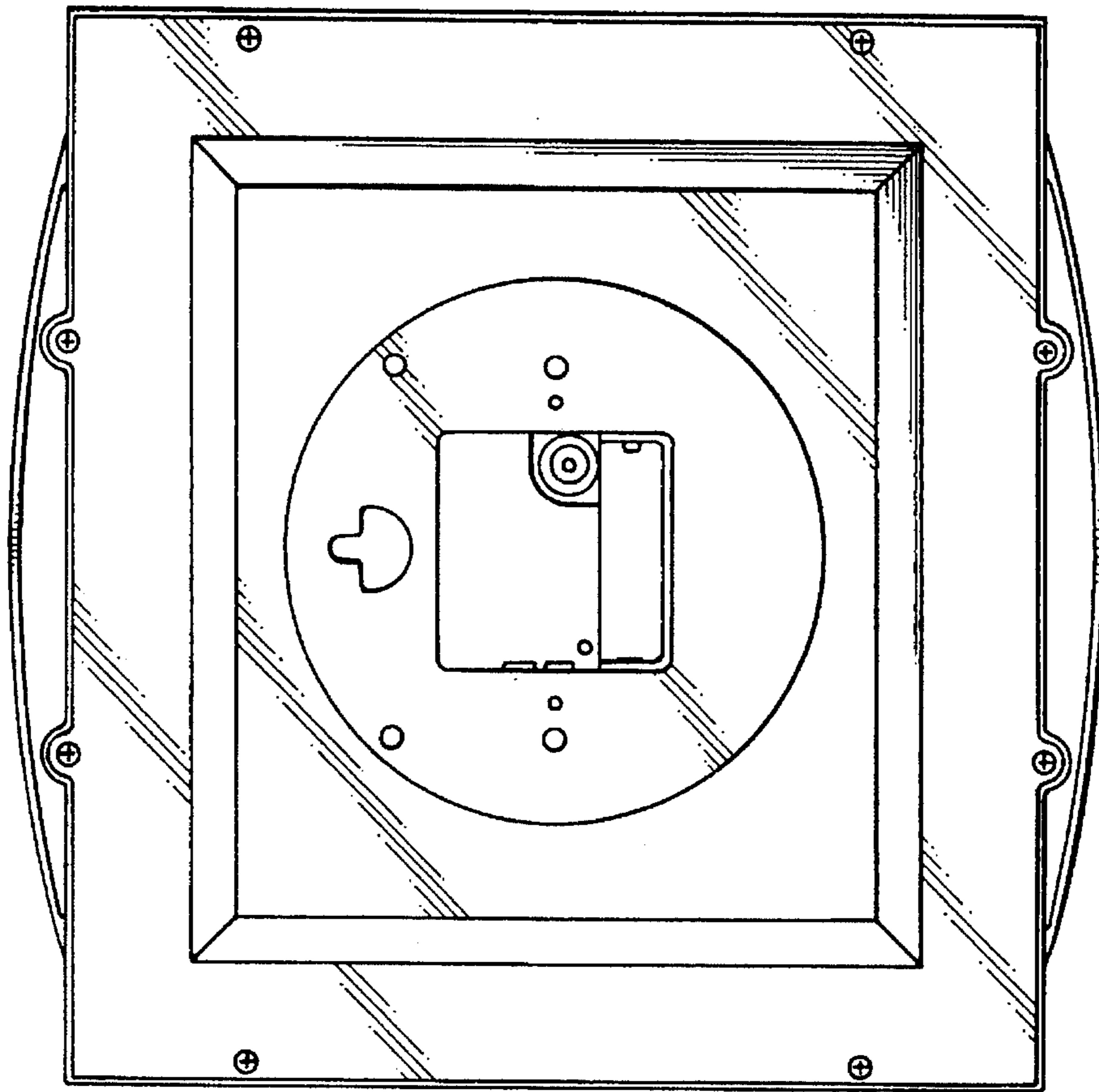


FIG. 3

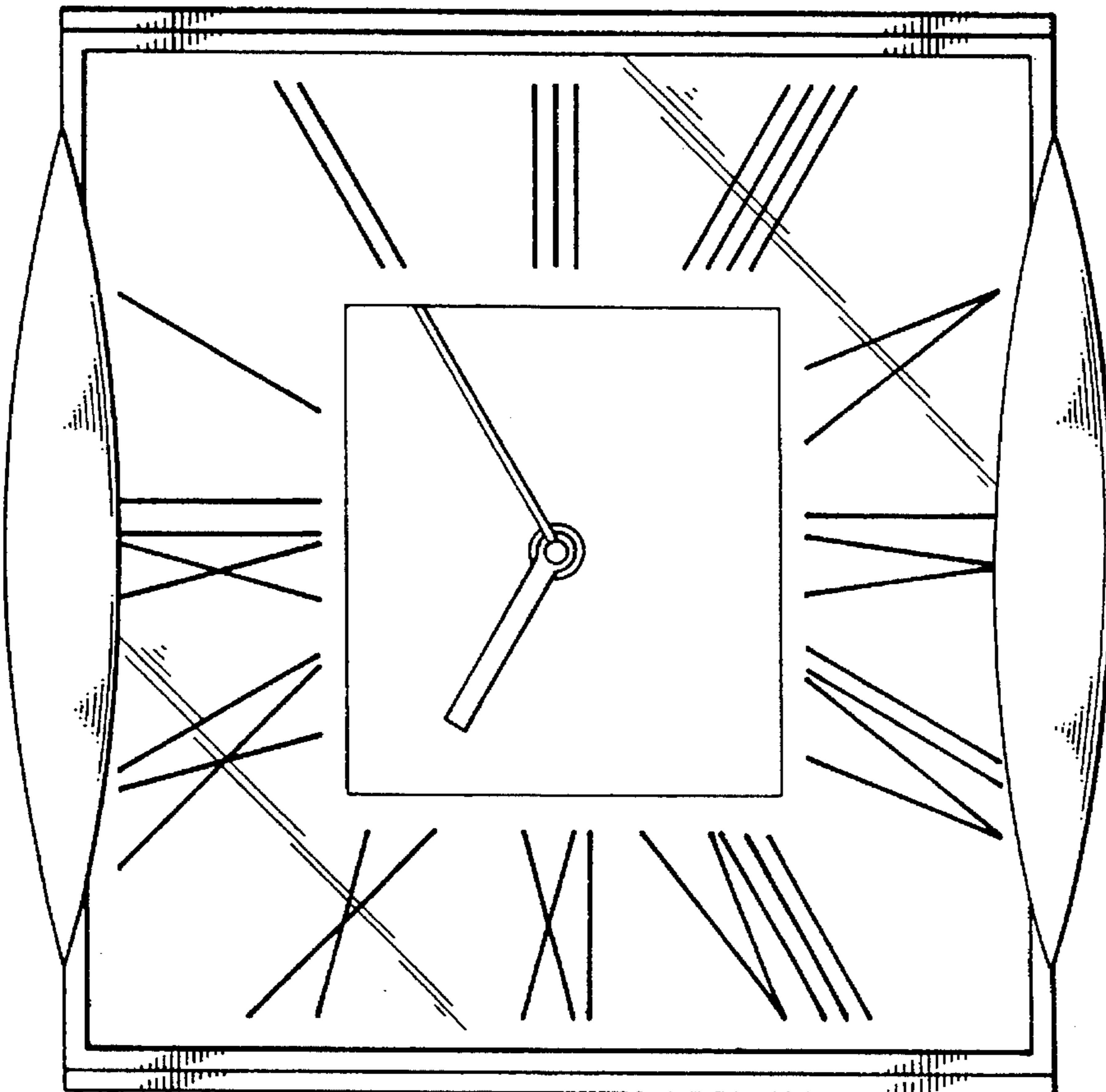


FIG. 2

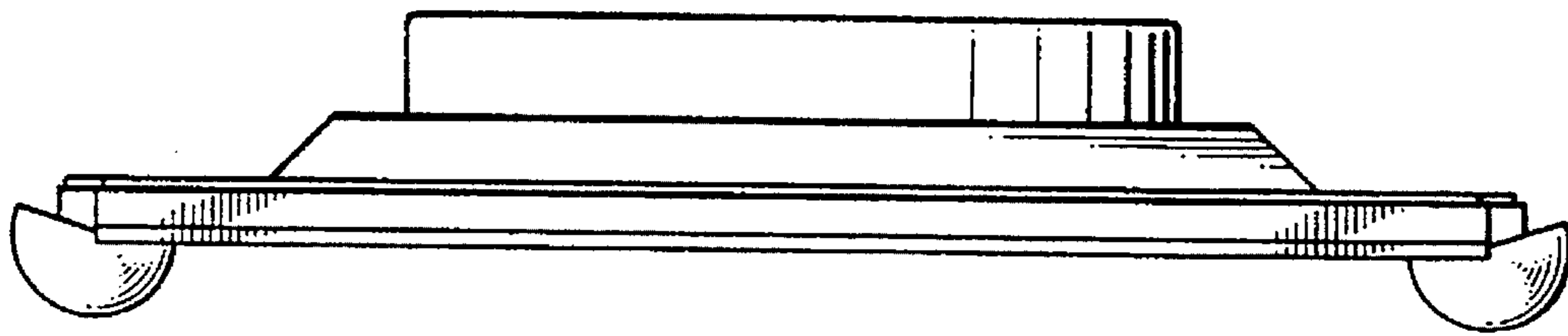


FIG. 4

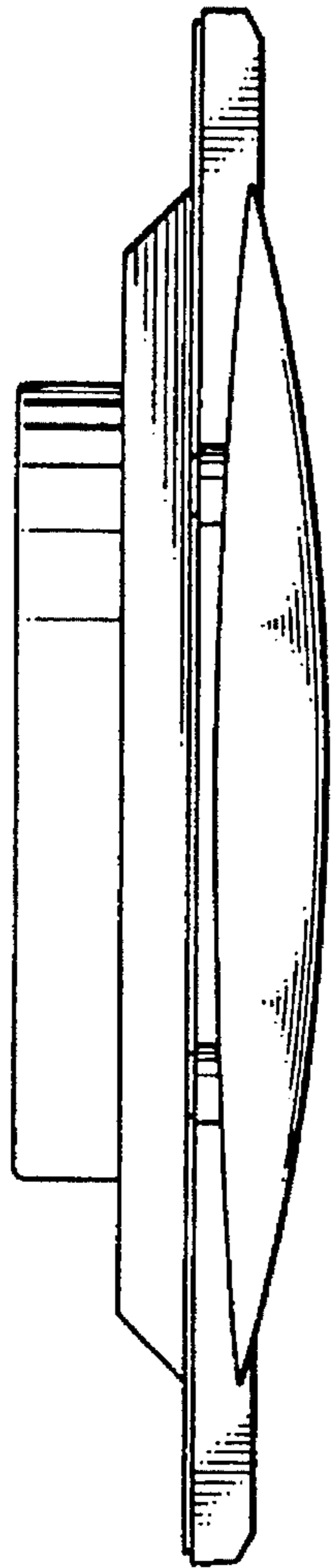


FIG. 5