



US00D376982S

United States Patent [19]

Otto

[11] Patent Number: **Des. 376,982**

[45] Date of Patent: ****Dec. 31, 1996**

[54] CAMERA SLATE CLOCK

[76] Inventor: **Michael Otto**, 33241 Chamizo Calle,
Aqua Dulce, Calif. 91350

[**] Term: **14 Years**

[21] Appl. No.: **47,470**

[22] Filed: **Dec. 5, 1995**

[52] U.S. Cl. **D10/6; D20/10; D10/15;**
D10/40

[58] Field of Search **D10/2, 6, 15; D20/10;**
368/10

[56] **References Cited**

U.S. PATENT DOCUMENTS

D. 265,486 7/1982 Lundell D20/10
2,102,905 12/1937 MaGee 116/67 R

Primary Examiner—Nelson C. Holtje
Attorney, Agent, or Firm—James E. Brunton

[57] **CLAIM**

The ornamental design for "camera slate clock", as shown.

DESCRIPTION

FIG. 1 is a generally perspective view of a camera slate clock embodying my new design;
FIG. 2 is a front view thereof;
FIG. 3 is a right-hand side view thereof;
FIG. 4 is left-hand side view thereof;
FIG. 5 is a top view thereof;
FIG. 6 is a bottom view thereof;
FIG. 7 is a rear view thereof; and,
FIG. 8 is a side-elevational view showing the camera slate clock resting on a planar surface.

1 Claim, 3 Drawing Sheets

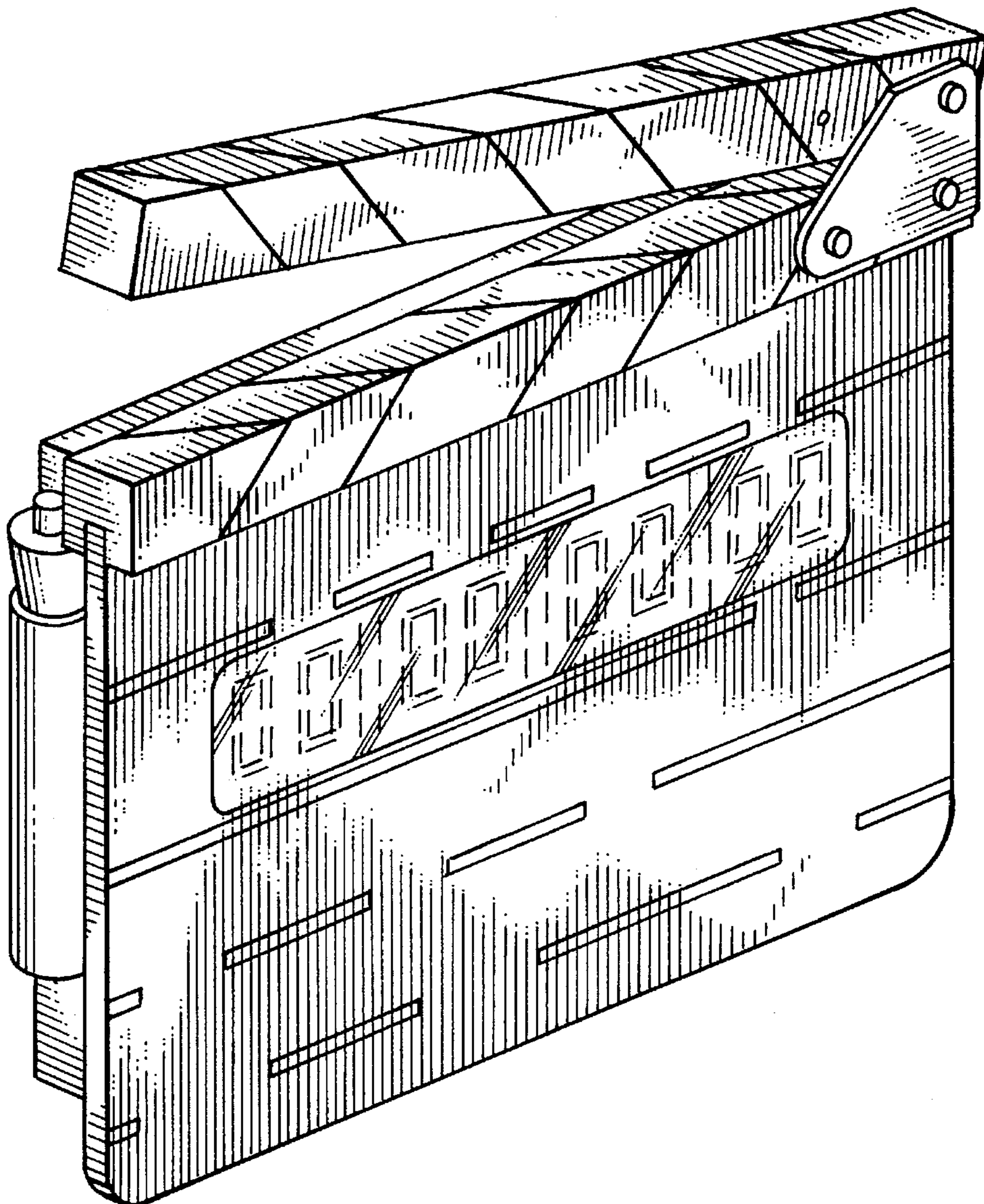


FIG. 1

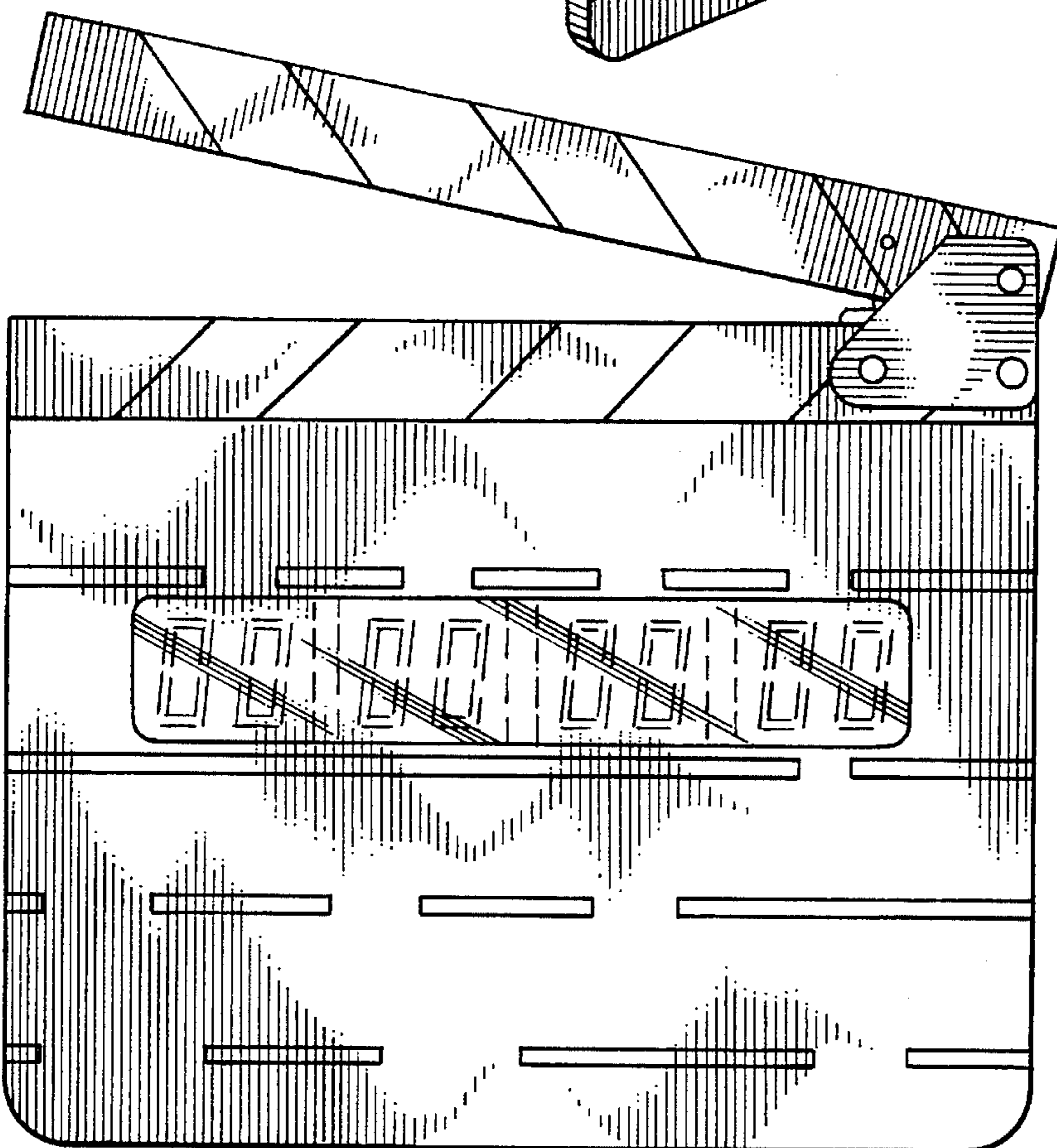
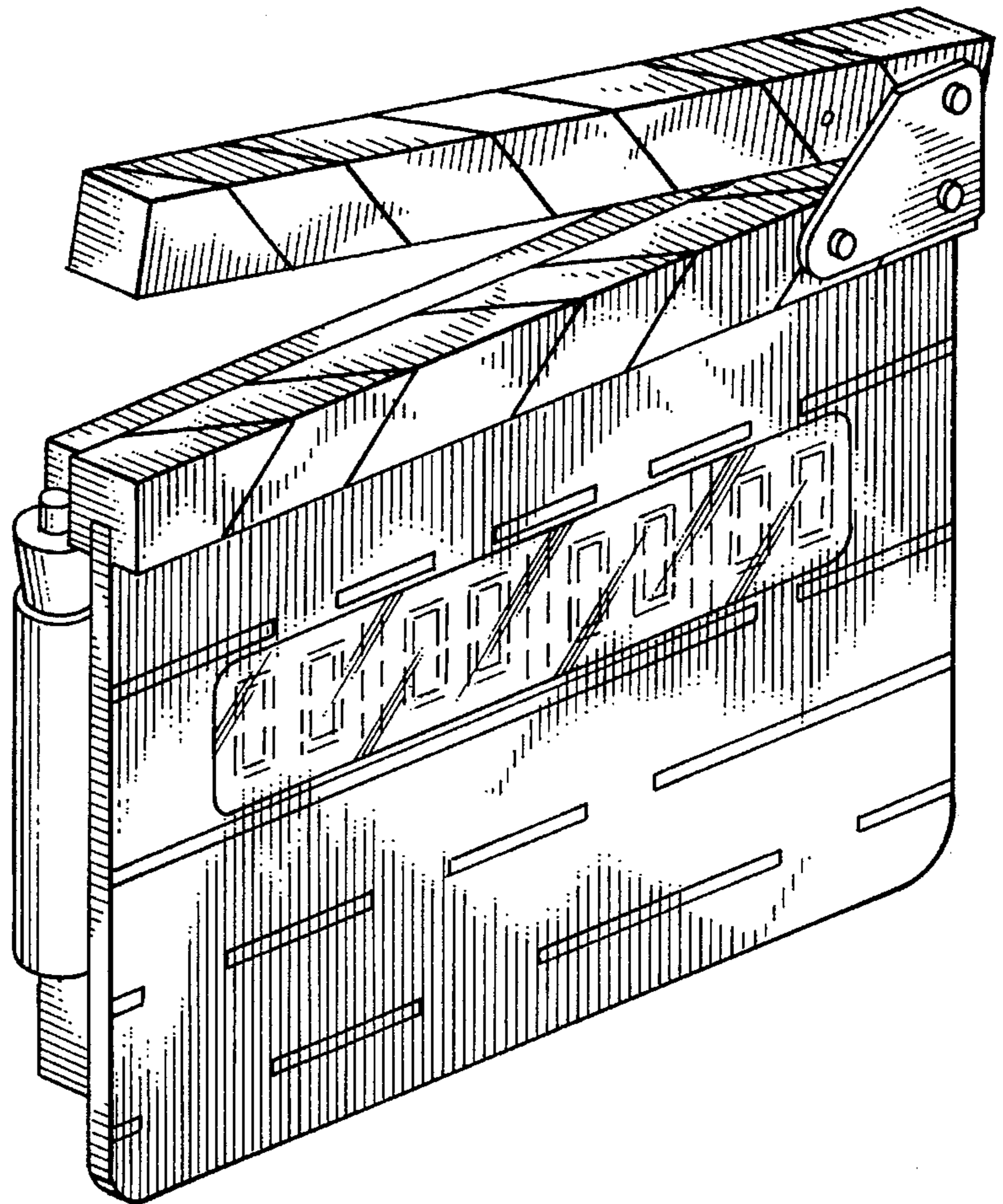


FIG. 2

FIG. 3

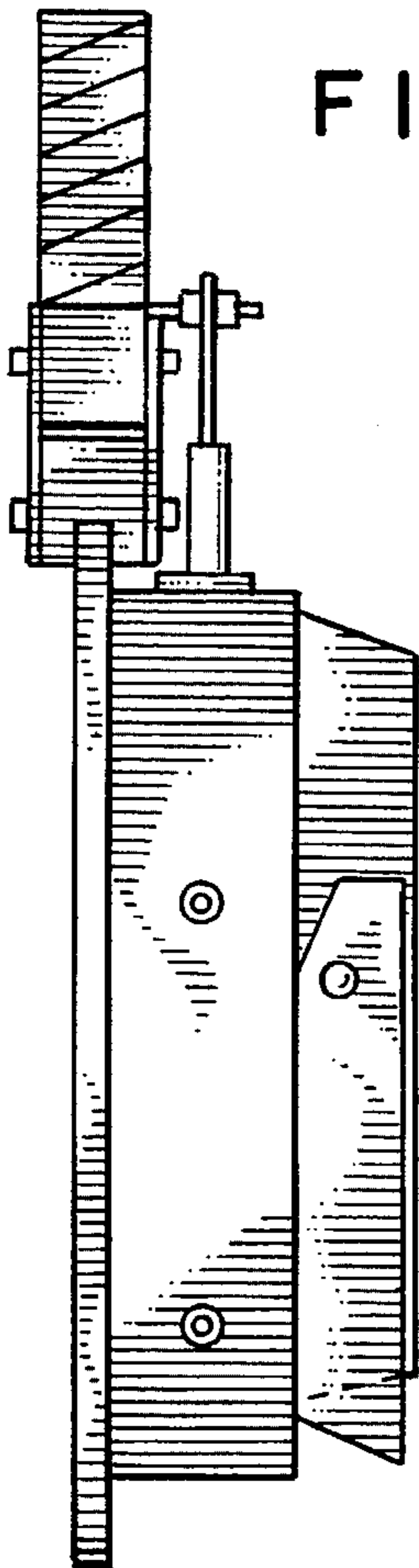


FIG. 4

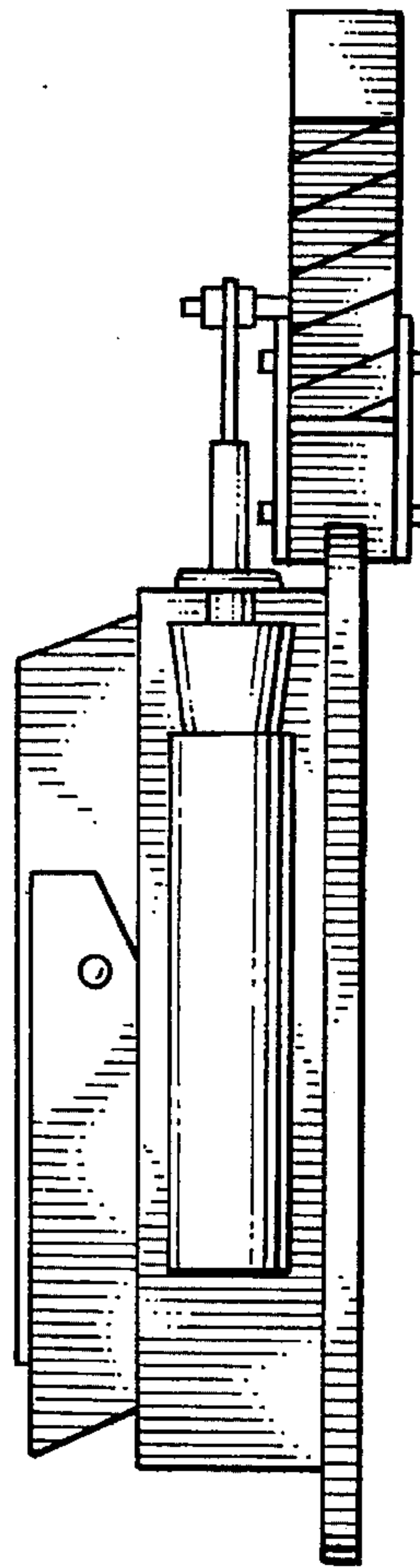


FIG. 5

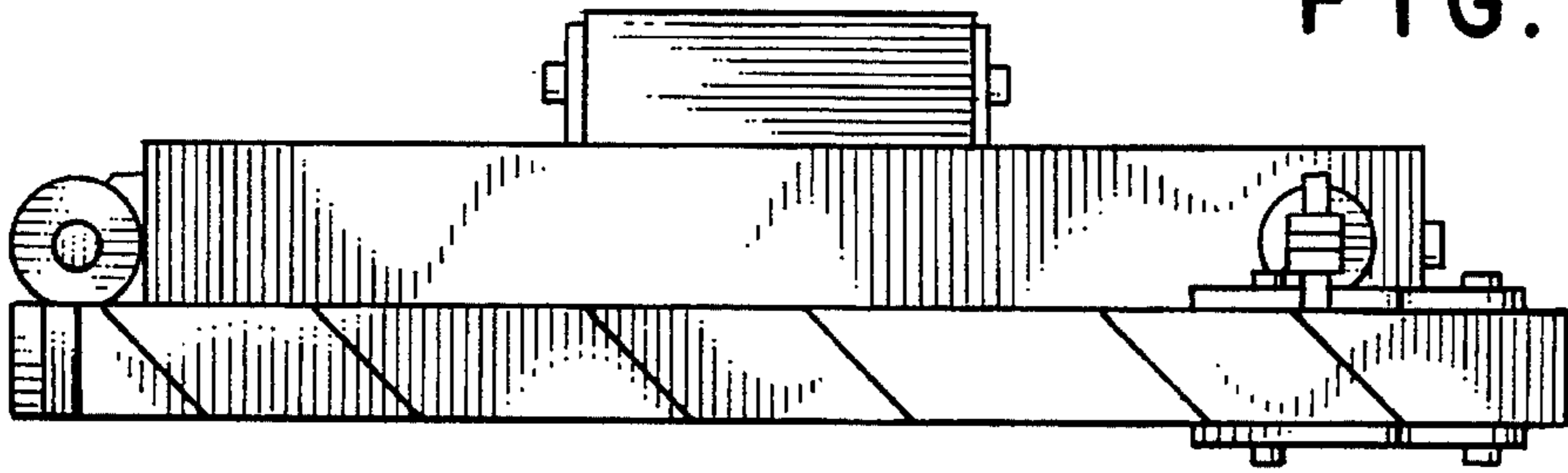
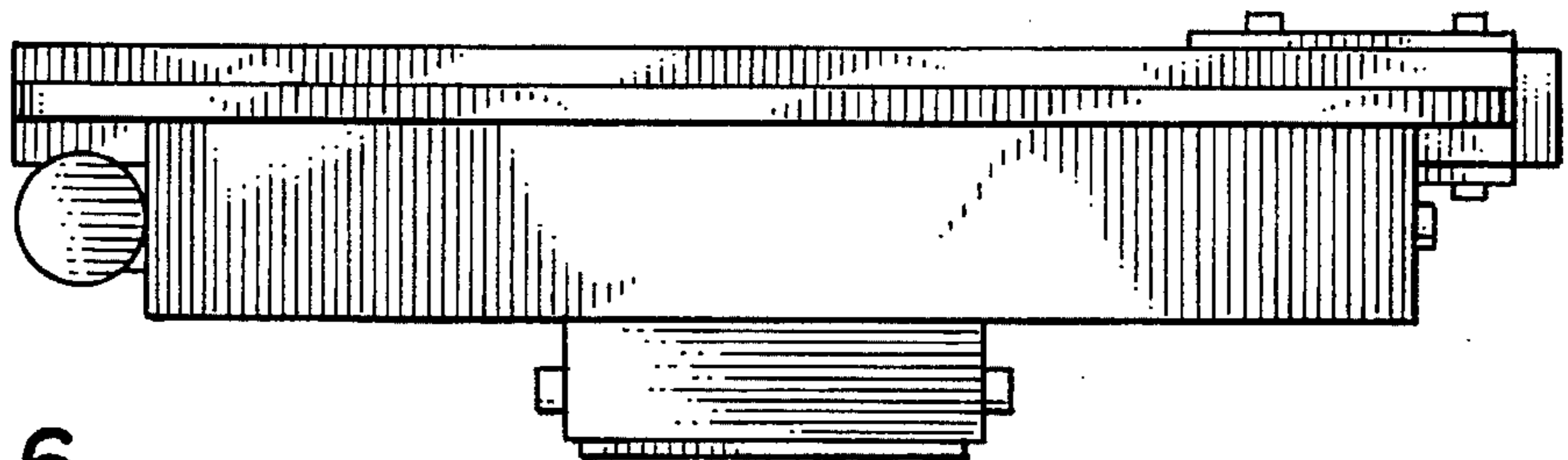


FIG. 6



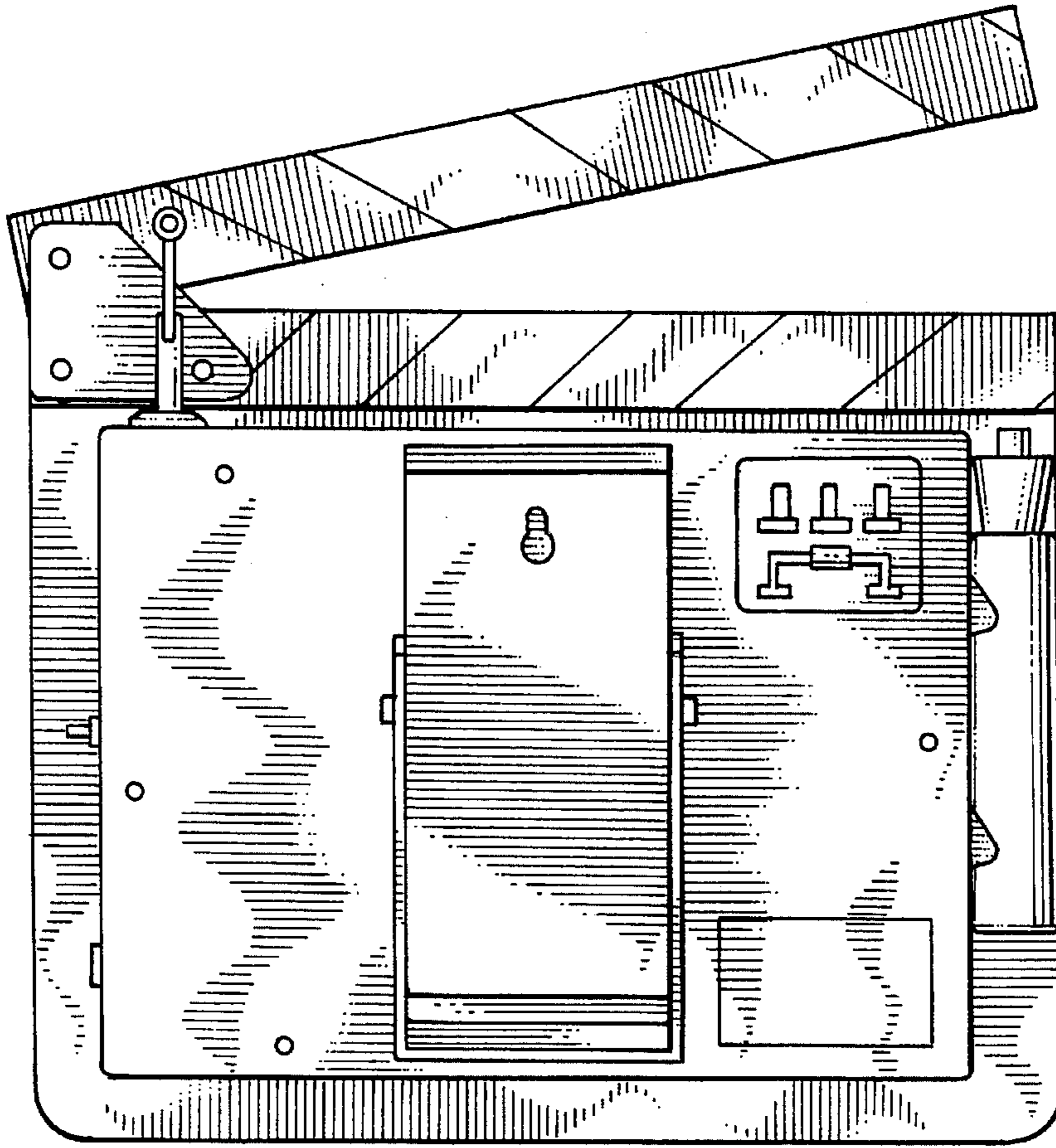


FIG. 7

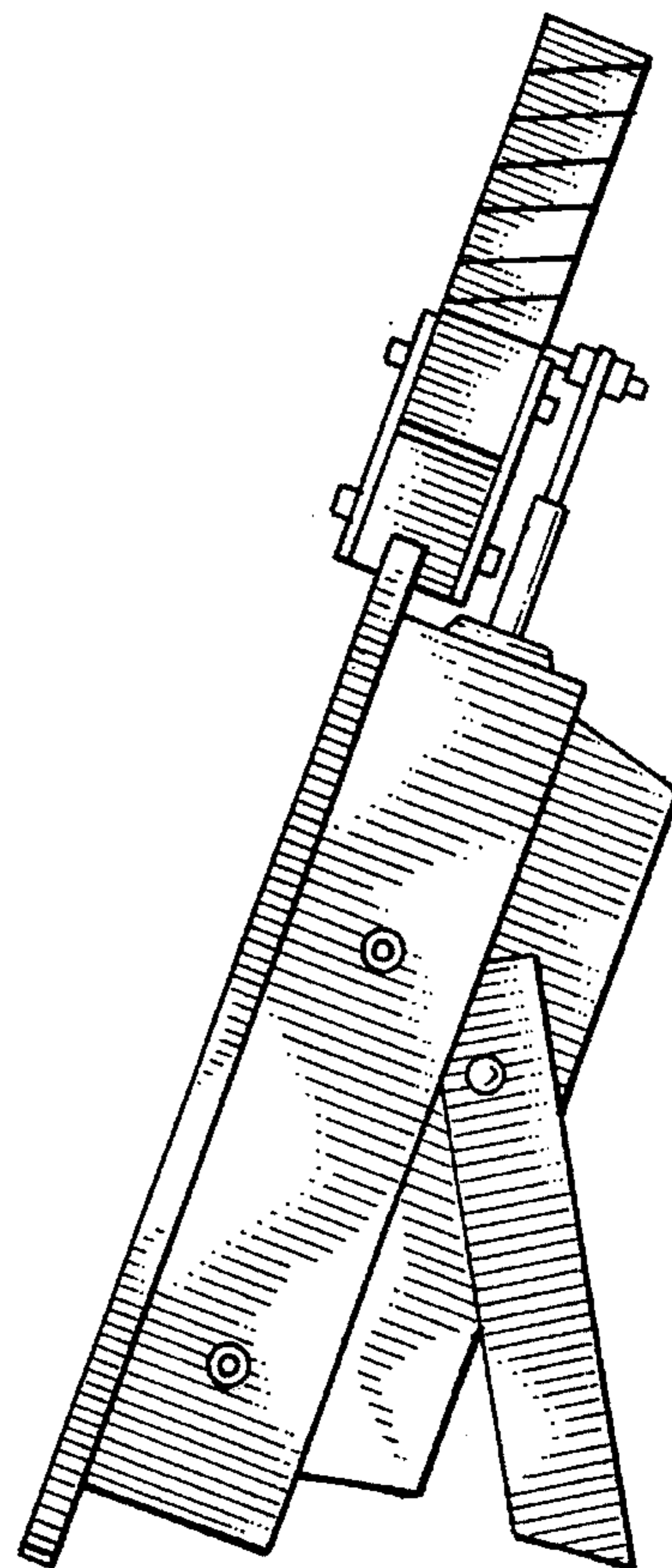


FIG. 8