



US00D376977S

United States Patent [19]
Milliken

[11] **Patent Number: Des. 376,977**
[45] **Date of Patent: **Dec. 31, 1996**

[54] **SAFETY CONTAINMENT HOUSING FOR THE STORAGE OF HAZARDOUS WASTE MATERIAL**

[75] Inventor: **John O. Milliken**, Gates Mills, Ohio

[73] Assignee: **Enpac Corporation**, Chardon, Ohio

[**] Term: **14 Years**

[21] Appl. No.: **39,816**

[22] Filed: **Jun. 5, 1995**

[52] U.S. Cl. **D9/431**

[58] **Field of Search** D9/420, 423-425,
D9/430, 432; 206/524.5; 220/4.21, 4.24,
671, 675

[56] **References Cited**

U.S. PATENT DOCUMENTS

D. 260,237	8/1981	Fuzere	D9/341
D. 343,576	1/1994	Krupa	D9/425 X
660,107	10/1900	Harris	220/671
663,921	12/1900	McMullen	220/4.21 X
3,261,505	7/1966	Swenck	220/4.21 X

FOREIGN PATENT DOCUMENTS

667774	11/1988	Switzerland	220/4.24
922200	3/1963	United Kingdom	220/4.24

Primary Examiner—Sandra L. Morris
Assistant Examiner—Nanda Bondade
Attorney, Agent, or Firm—Pearne, Gordon, McCoy & Granger

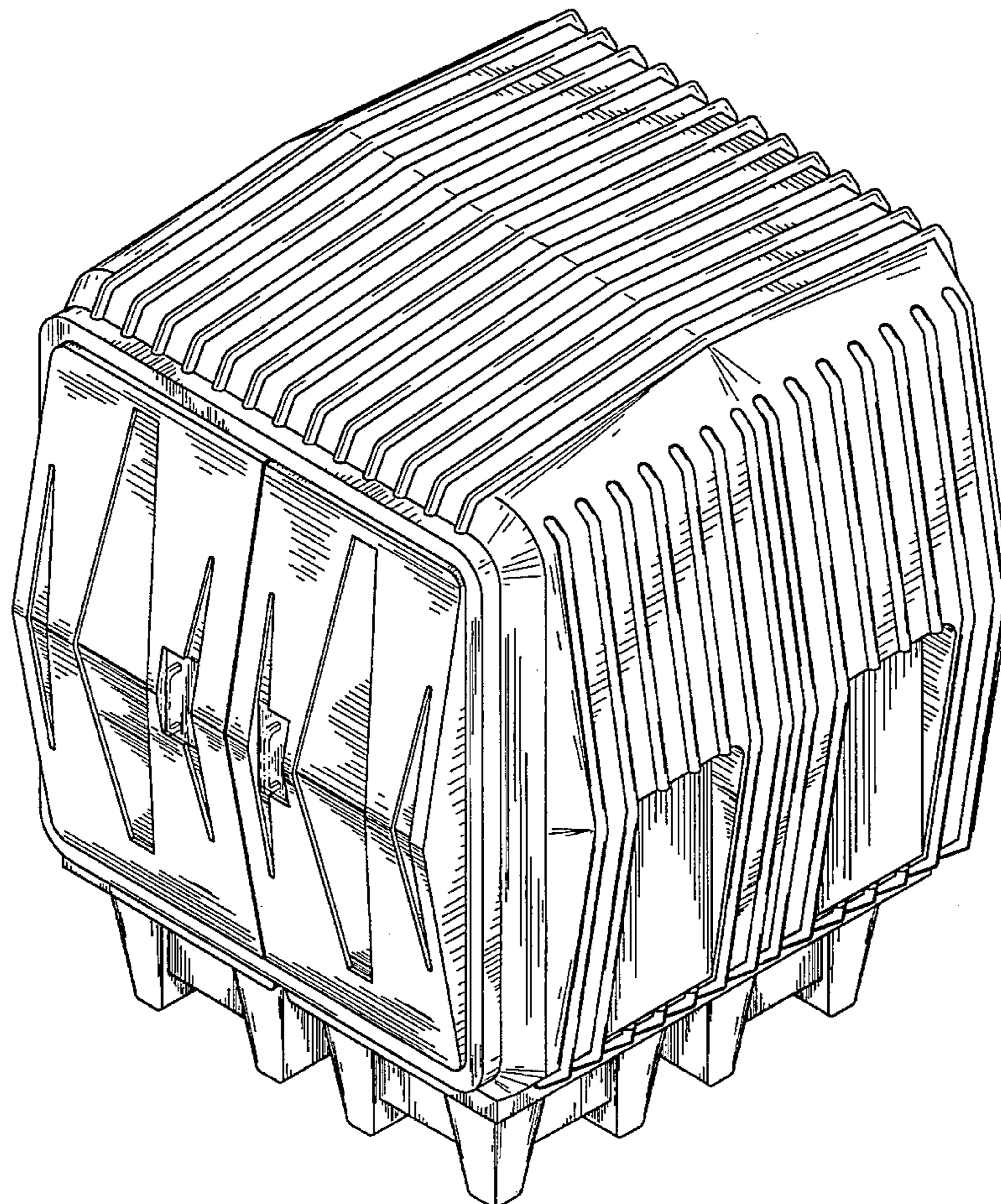
[57] **CLAIM**

The ornamental design for a “safety containment housing for the storage of hazardous waste material”, as shown and described.

DESCRIPTION

FIG. 1 is a perspective view of a “safety containment housing for the storage of hazardous waste material”, showing my new design;
FIG. 2 is a front elevational view thereof;
FIG. 3 is a right side elevational view thereof, the left side being a mirror image;
FIG. 4 is a rear elevational view thereof;
FIG. 5 is a top view thereof;
FIG. 6 is a bottom view thereof;
FIG. 7 is a cross-sectional view taken in the direction of the arrows of FIG. 2; and,
FIG. 8 is a cross-sectional view taken in the direction of the arrows in FIG. 3.
The broken line showing of the handles is for illustrative purposes only and forms no part of the claimed design.

1 Claim, 5 Drawing Sheets



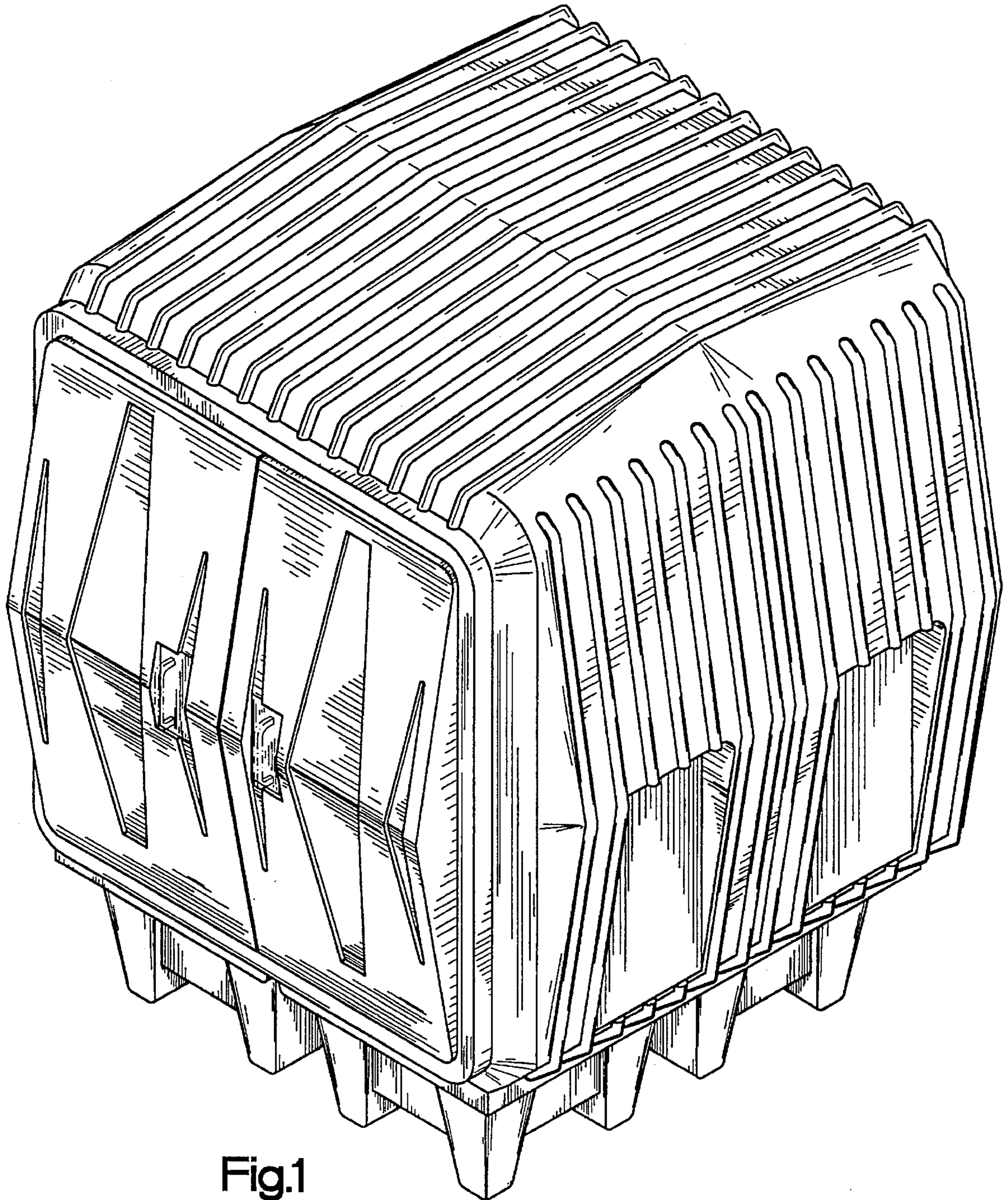


Fig.1

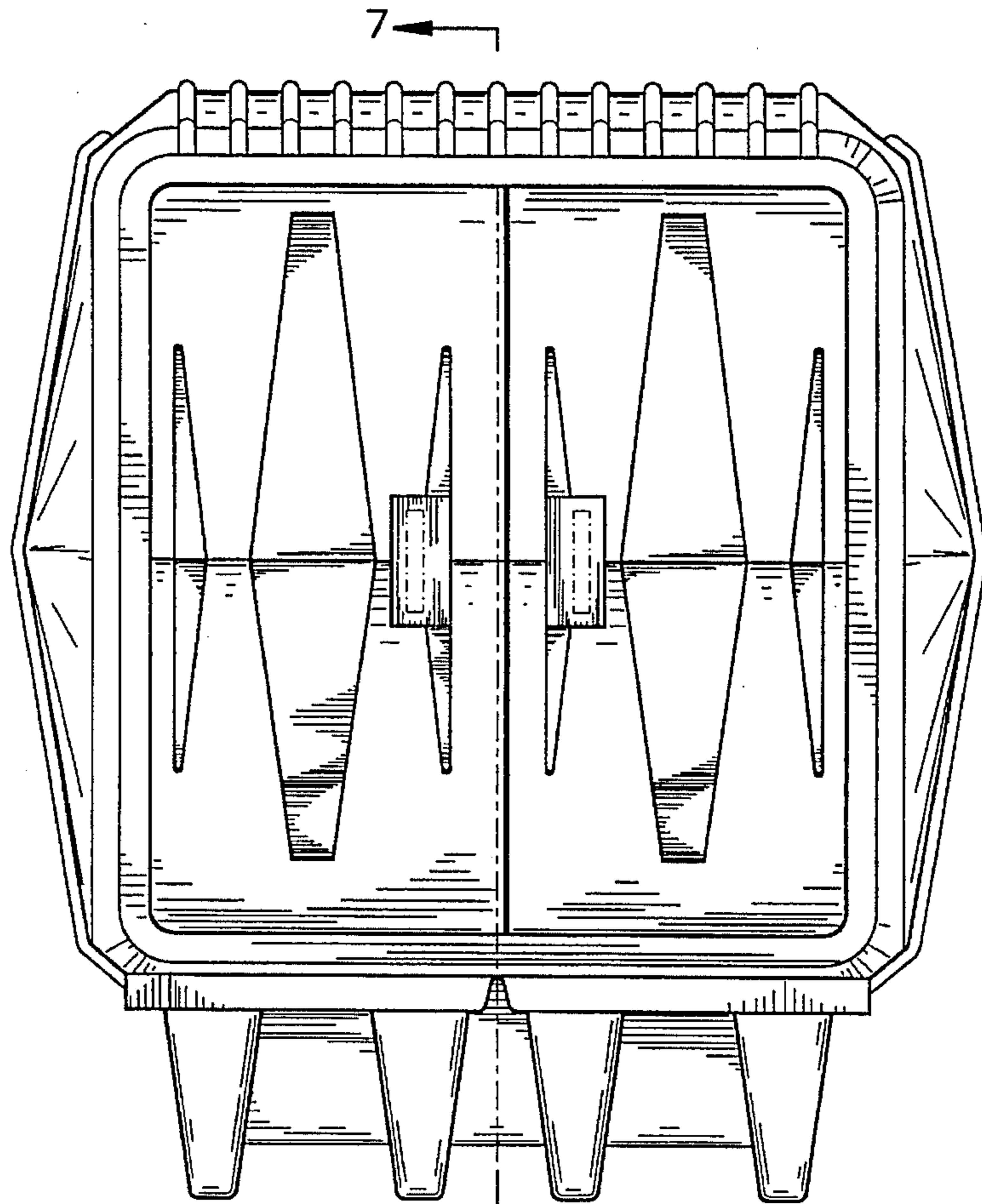


Fig.2

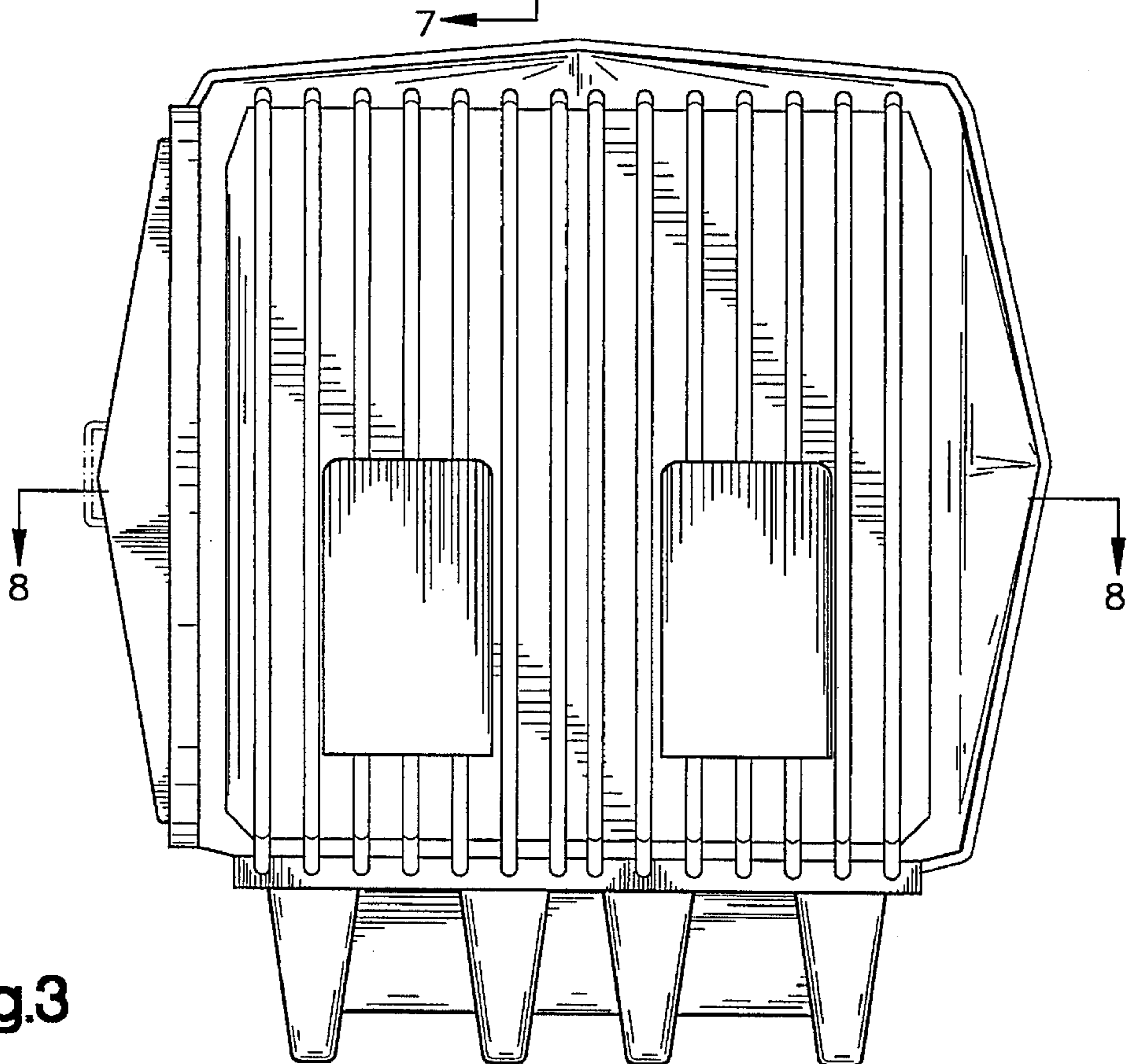


Fig.3

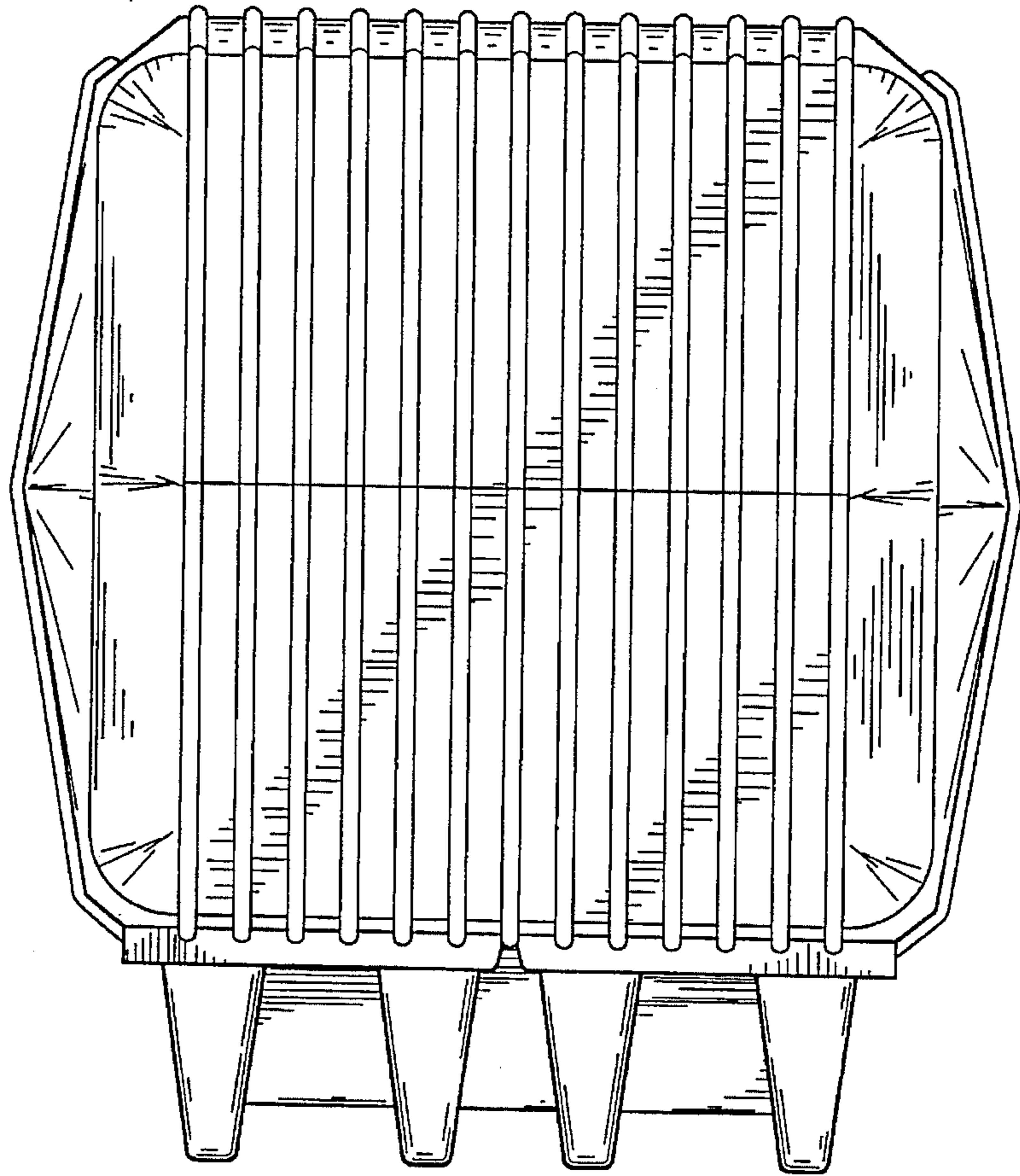


Fig.4

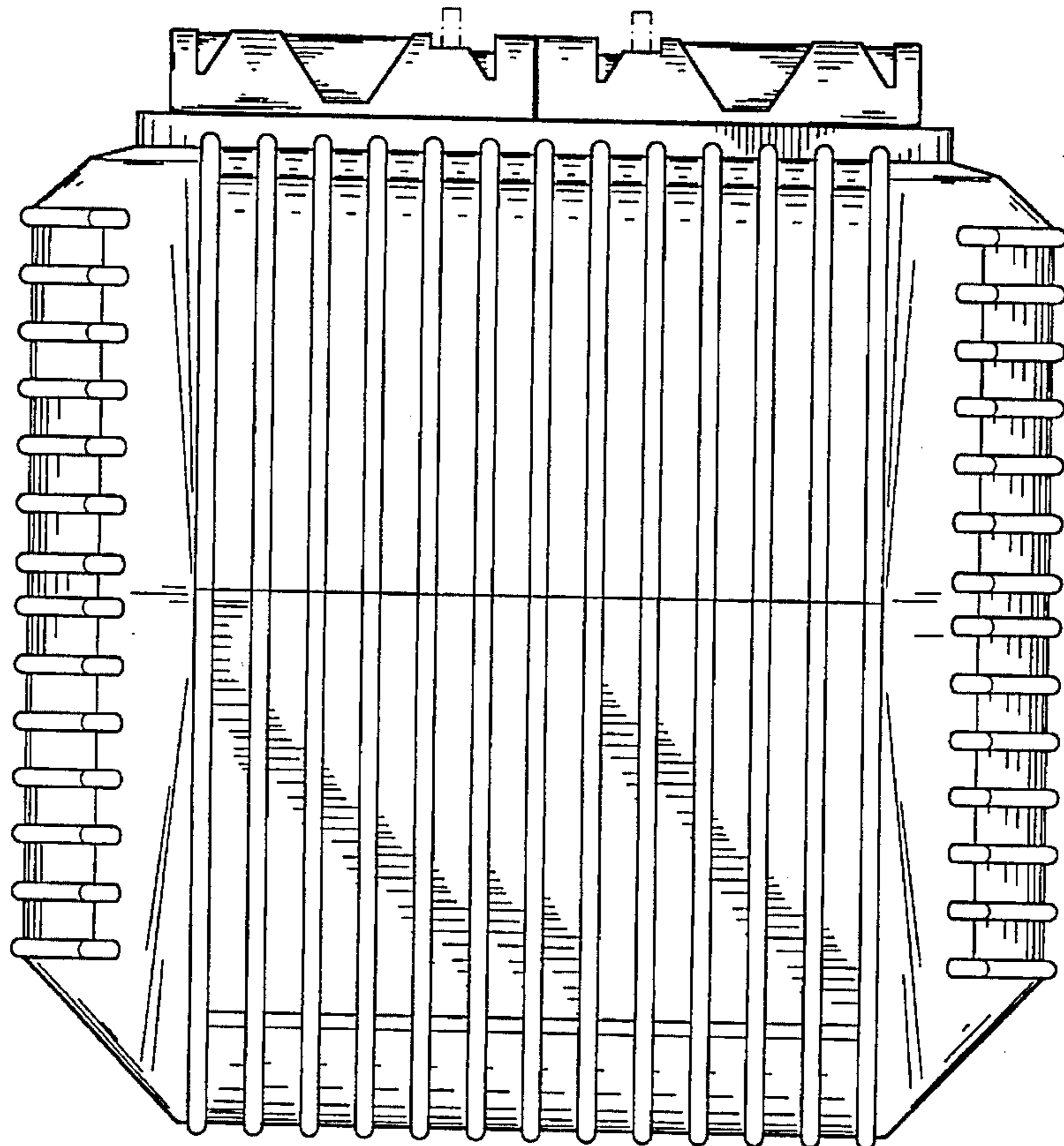


Fig.5

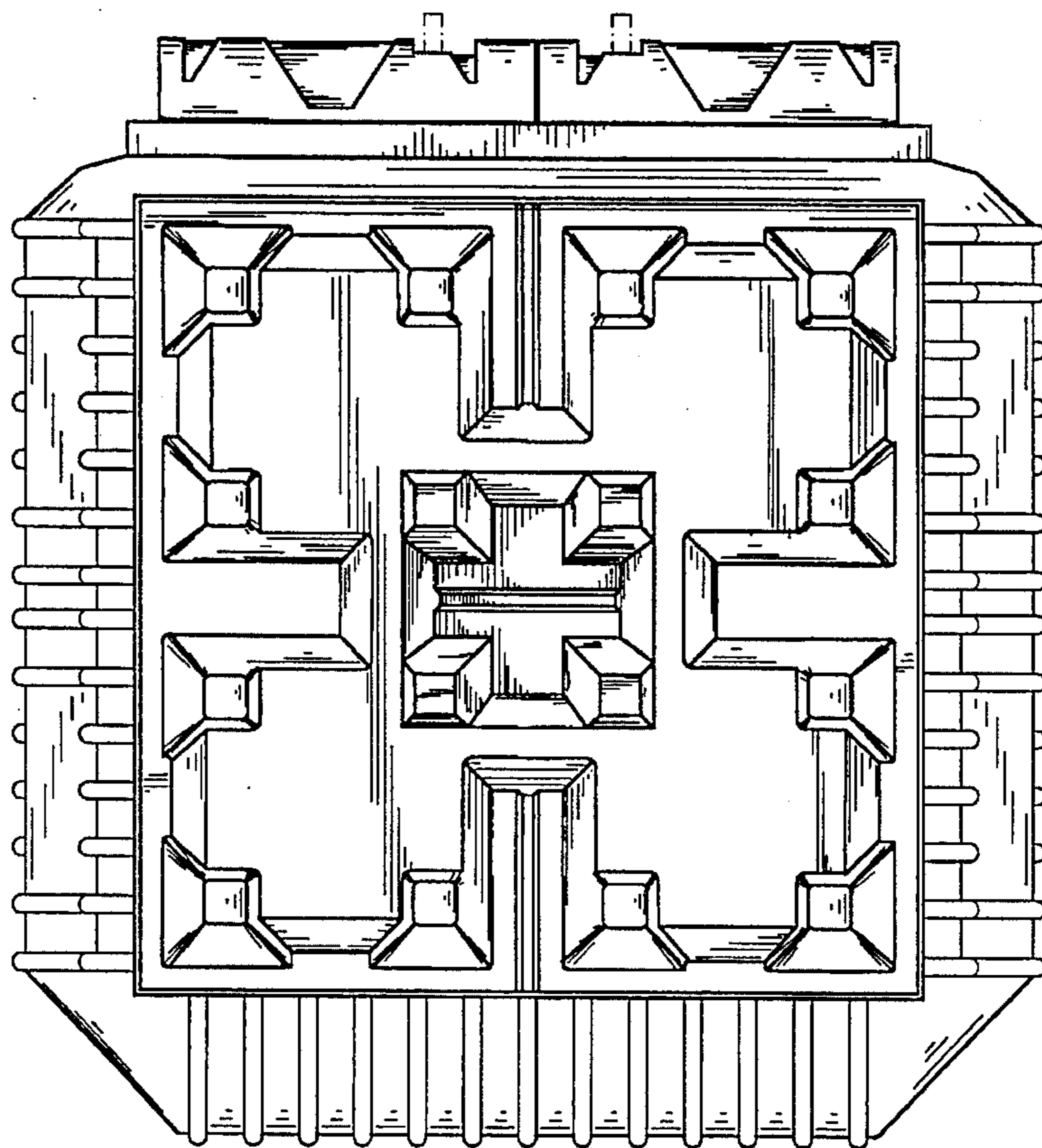


Fig.6

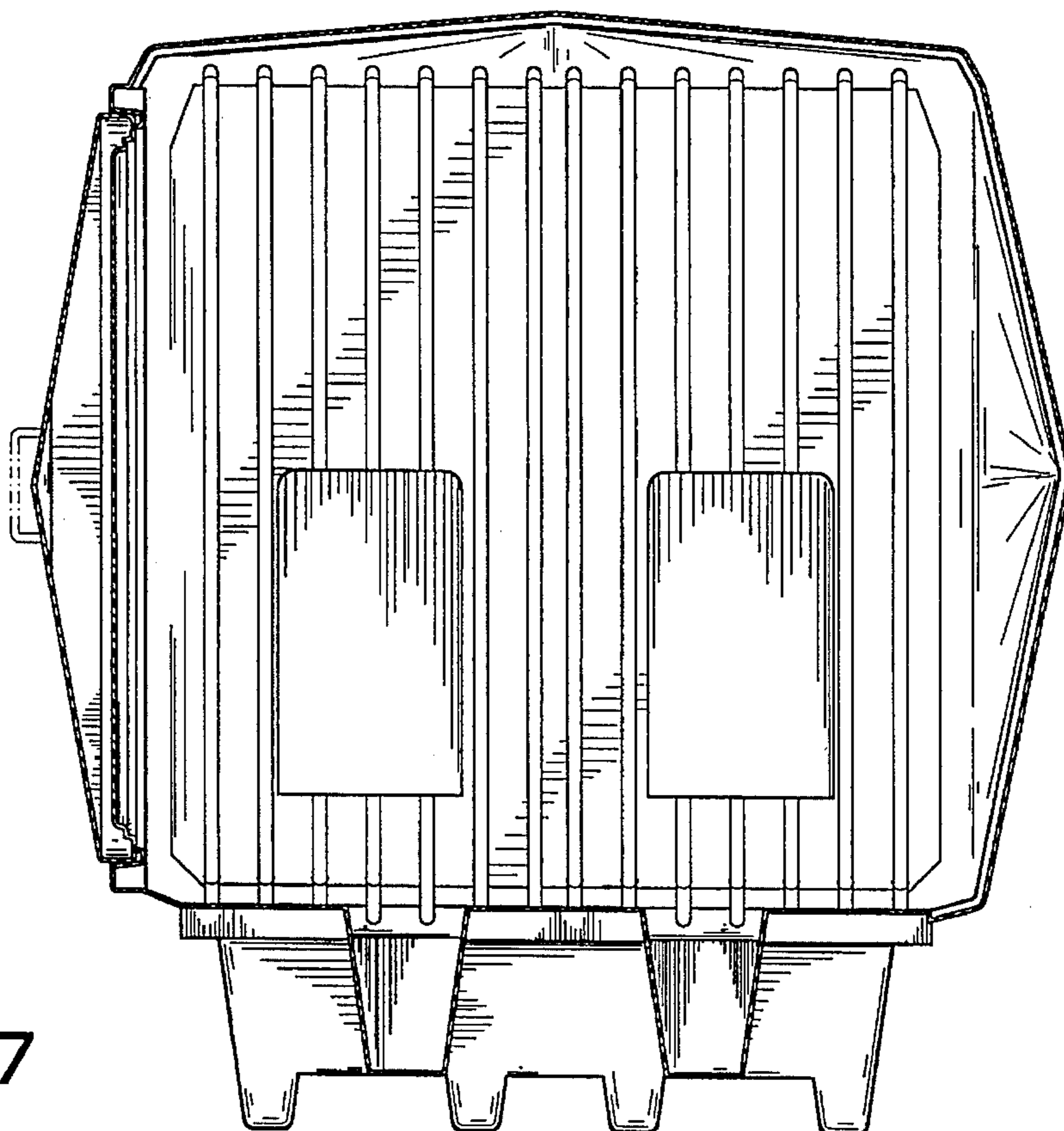


Fig.7

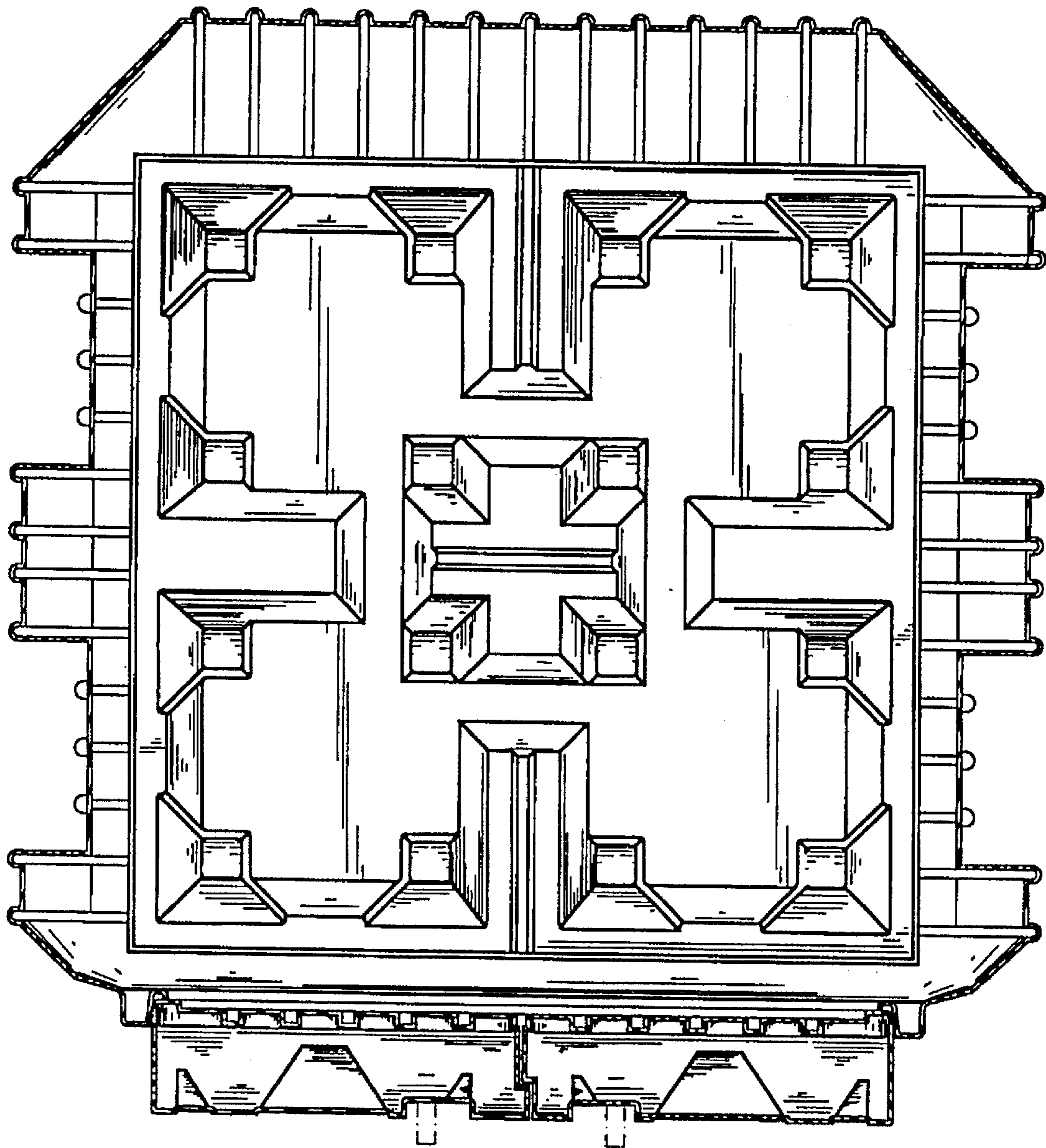


Fig.8