



US00D376974S

United States Patent [19]
Chen

[11] **Patent Number: Des. 376,974**

[45] **Date of Patent: **Dec. 31, 1996**

[54] **TUBE CLAMP**

5,079,802 1/1992 Blase et al. 24/16 PBX

[76] **Inventor: Waterson Chen, No. 477, Kuo-Kuang Rd., Nan Dist., Taichung City, Taiwan**

*Primary Examiner—Paula A. Mortimer
Attorney, Agent, or Firm—Kenyon & Kenyon*

[**] **Term: 14 Years**

[57] **CLAIM**

The ornamental design for tube clamp, as shown and described.

[21] **Appl. No.: 47,082**

[22] **Filed: Nov. 21, 1995**

[52] **U.S. Cl. D8/396; D24/128; 24/274 WB**

[58] **Field of Search D8/396, 382, 395; 24/24, 20 LS, 16 PB, 274 WB, 278, 284; 248/74.1, 74.4, 230.6; D24/127, 128, 133; 128/DIG. 26**

DESCRIPTION

FIG. 1 is a perspective view of tube clamp showing my new design;

FIG. 2 is a front elevational view thereof;

FIG. 3 is a rear elevational view thereof;

FIG. 4 is a left side elevational view thereof;

FIG. 5 is a right side elevational view thereof;

FIG. 6 is a top plan view thereof;

FIG. 7 is a bottom plan view thereof; and,

FIG. 8 is a perspective view thereof when in use.

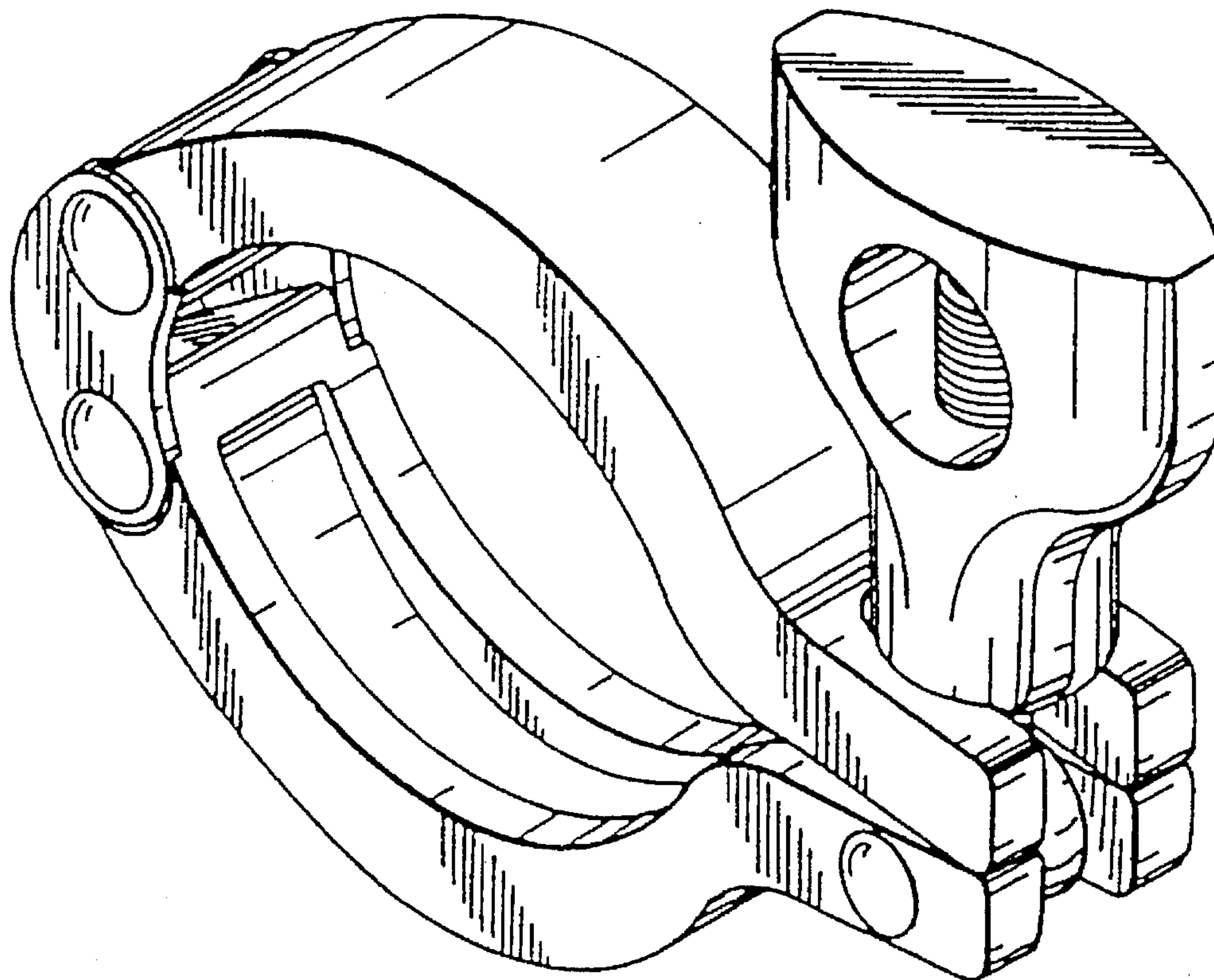
The broken line showing of the tube in FIG. 8 is for illustrative purposes only and forms no part of the claimed design.

[56] **References Cited**

U.S. PATENT DOCUMENTS

D. 269,156	5/1983	Slinkard	D24/128 X
D. 275,075	8/1984	Magner	D8/382
4,479,288	10/1984	Jones	24/278 X
4,881,301	11/1989	Sweeney et al.	24/16 PBX
4,881,760	11/1989	Ruckles et al.	24/16 PBX
5,007,604	4/1991	Richards	248/74.1 X

1 Claim, 4 Drawing Sheets



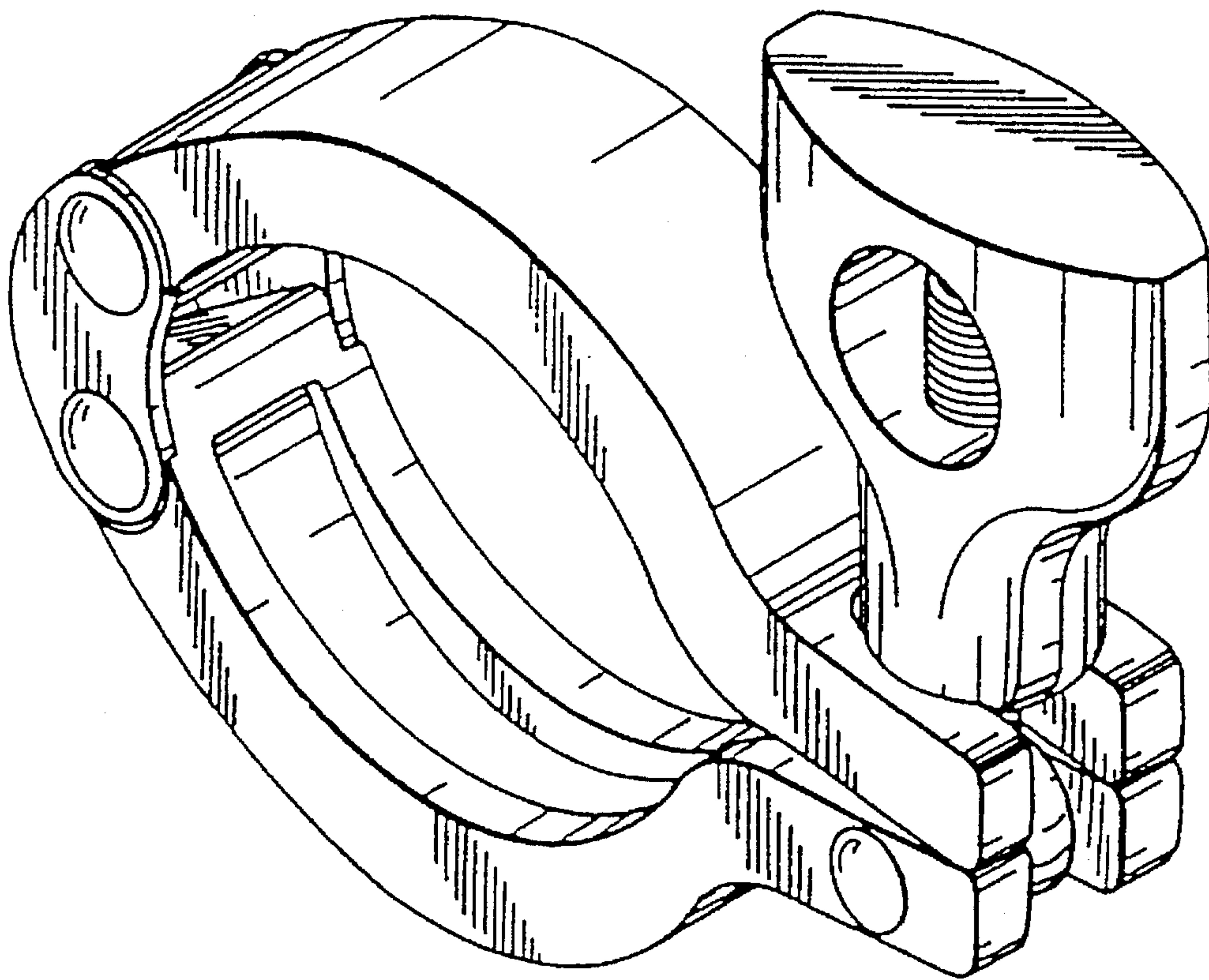


FIG. 1

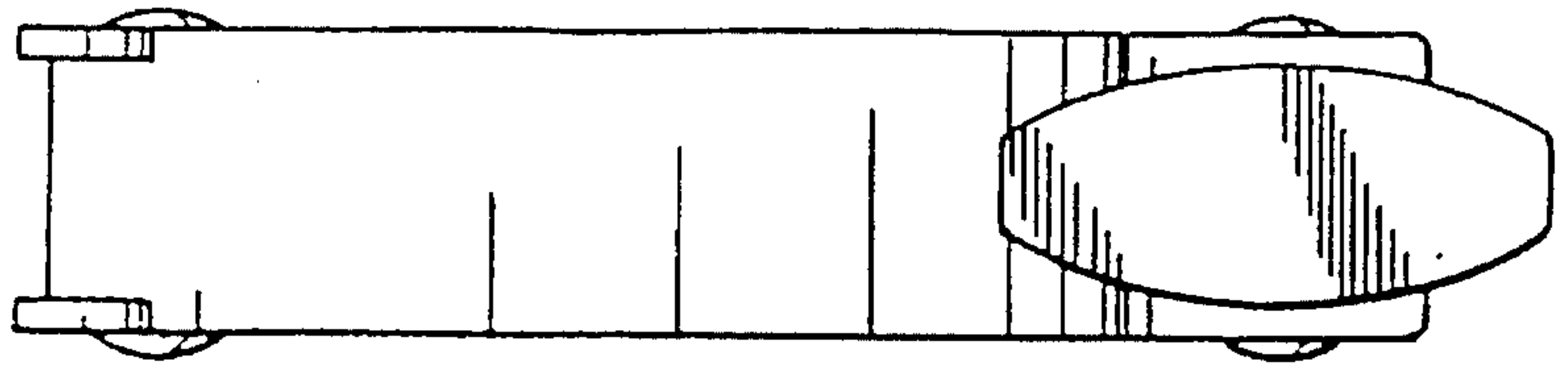


FIG. 6

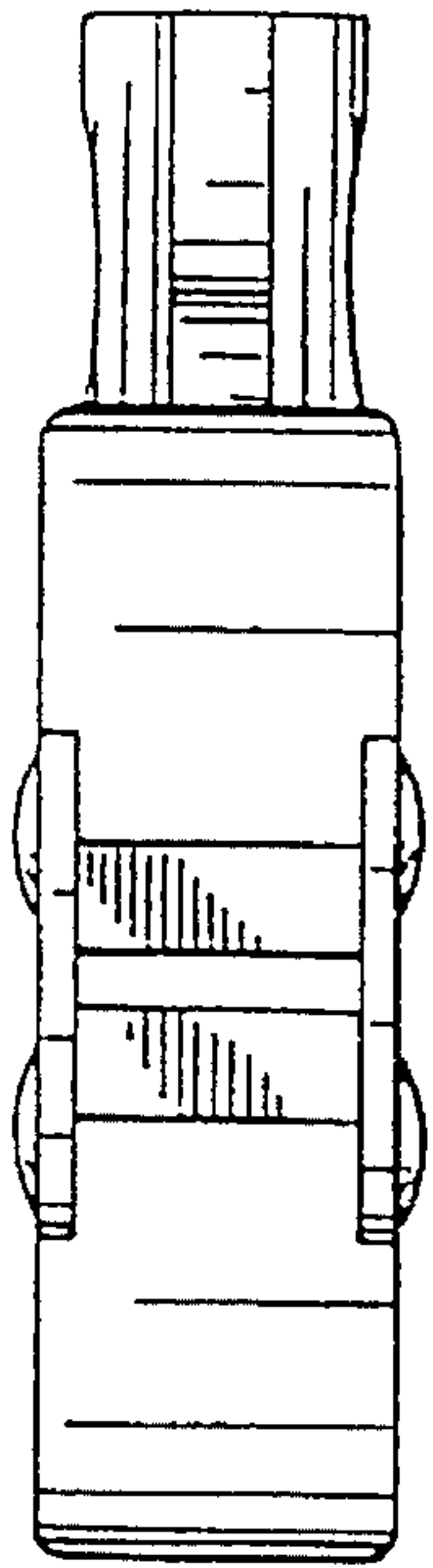


FIG. 4

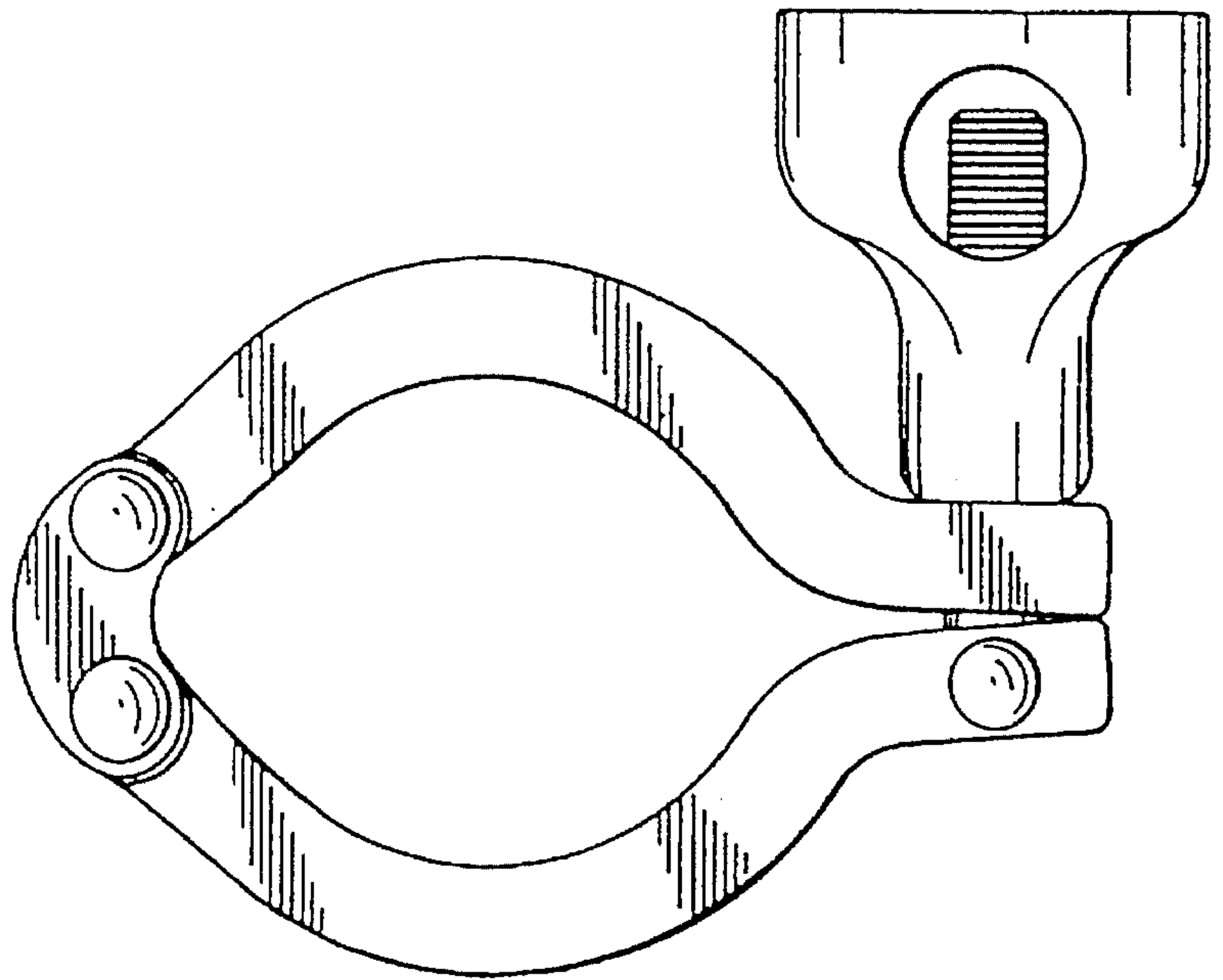


FIG. 2



FIG. 7

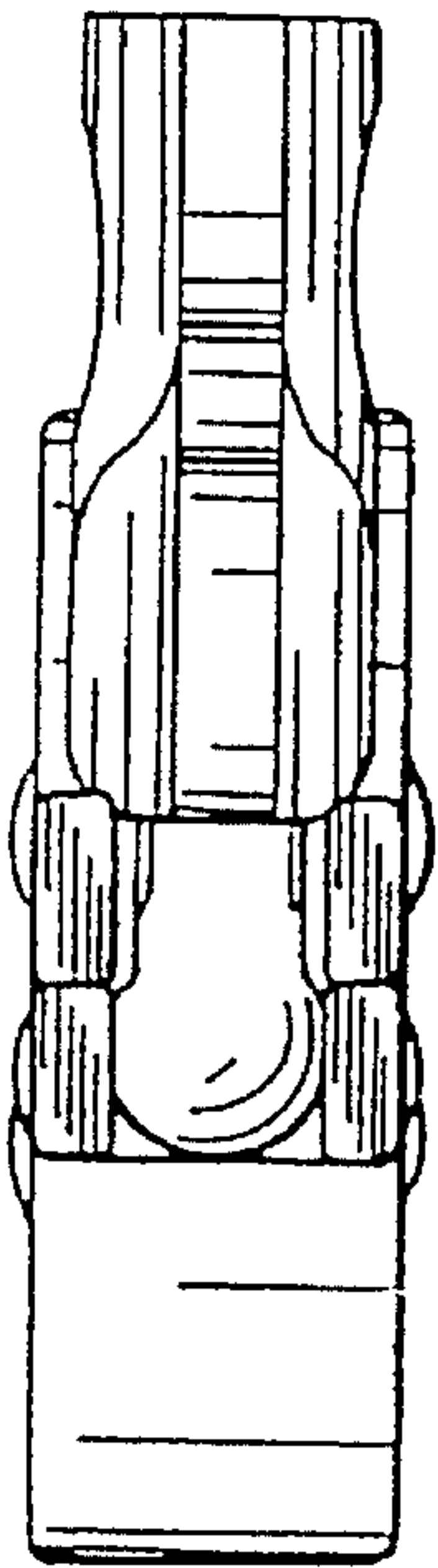


FIG. 5

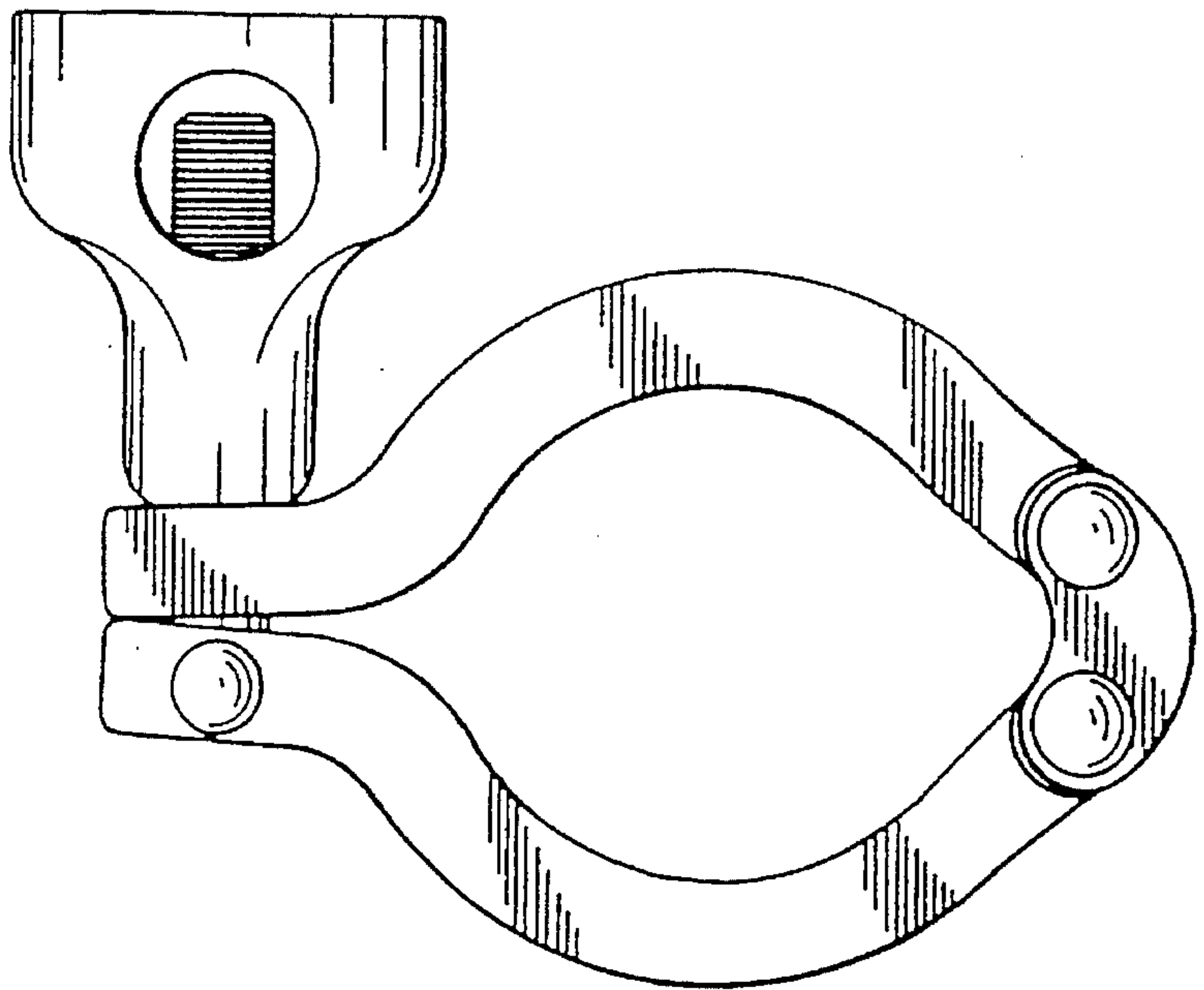


FIG. 3

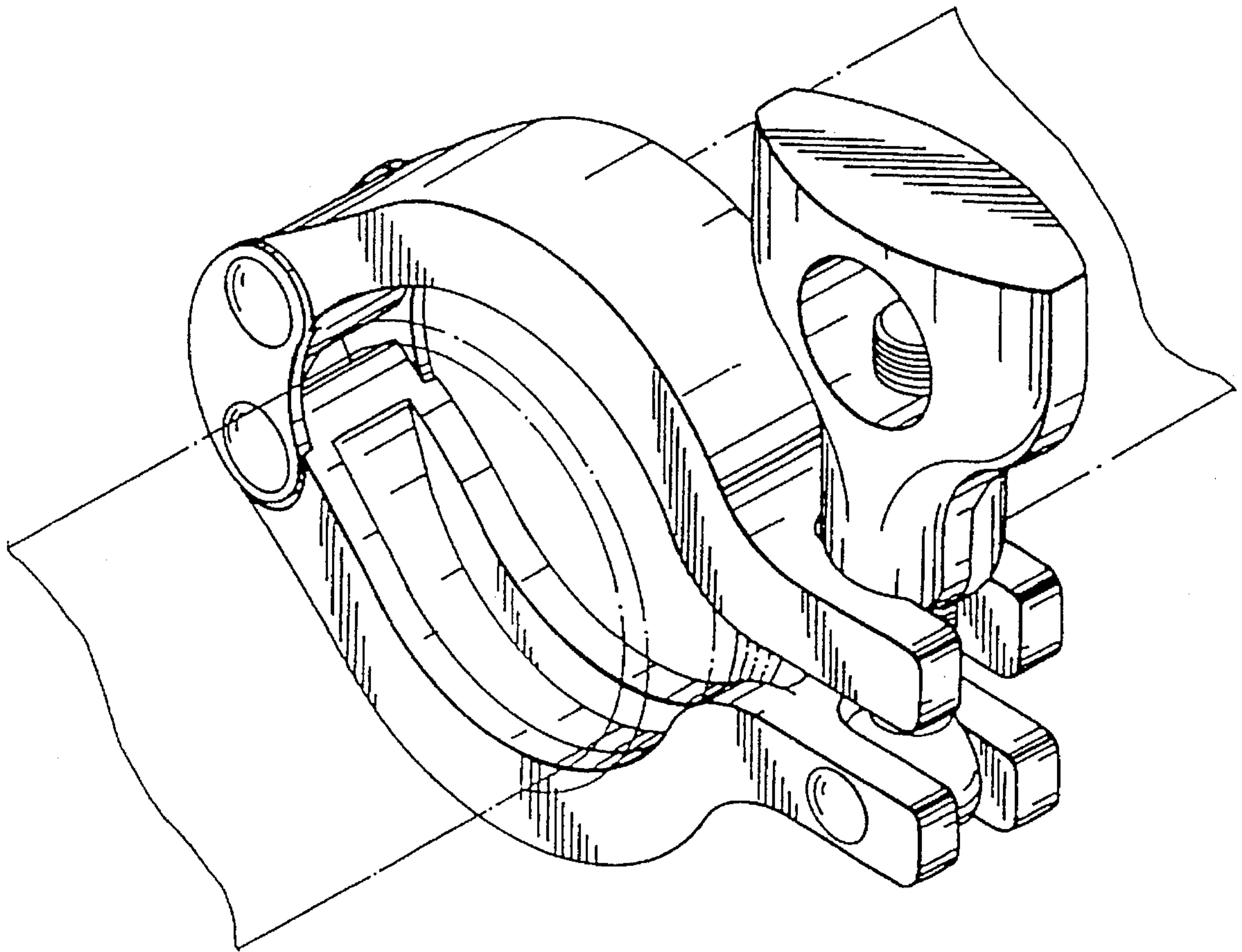


FIG. 8