



US00D376971S

United States Patent [19] Schutz

[11] Patent Number: **Des. 376,971**

[45] Date of Patent: ****Dec. 31, 1996**

[54] NO-PIN HINGE

[76] Inventor: **Joseph J. Schutz**, 61 Colchester Commons, Colchester, Conn. 06415

[**] Term: **14 Years**

[21] Appl. No.: **48,533**

[22] Filed: **Jan. 3, 1996**

[52] U.S. Cl. **D8/327**

[58] Field of Search D8/323, 327, 328;
16/221, 254, 260, 261, 265, 355, 386, 387,
362

FOREIGN PATENT DOCUMENTS

48761 4/1977 Japan 16/386

OTHER PUBLICATIONS

"Luggage & Leather Goods" Sep. 1960, p. 30: lower right, second hinge from right: No 1472.

Primary Examiner—Ted Shooman

Assistant Examiner—C. Tuttle

Attorney, Agent, or Firm—Richard C. Litman

[57] CLAIM

The ornamental design for a no-pin hinge, as shown and described.

[56] References Cited

U.S. PATENT DOCUMENTS

D. 32,253	2/1900	Anderson	D8/327
44,076	9/1864	Colburn	16/377
139,290	5/1873	Bradley	16/355
D. 272,040	1/1984	Scanlan	D8/327
D. 304,802	11/1989	Yi	D8/328
943,997	12/1909	Riordan	16/377
1,092,136	4/1914	Burchess	16/377
1,248,407	11/1917	Ryan	16/355
3,911,528	10/1975	Rojic, Sr.	16/335
3,994,045	11/1976	Roy	16/355
4,050,117	9/1977	Roy	16/355
4,307,486	12/1981	Matsumoto	16/261
4,850,082	7/1989	Yi	16/341
5,001,810	3/1991	Baer	16/302
5,075,927	12/1991	Porta	16/273
5,329,667	7/1994	Erskine	16/269

DESCRIPTION

FIG. 1 is a perspective view of a no-pin hinge showing my new design;

FIG. 2 is a perspective view with the components separated for clarity and completeness of disclosure;

FIG. 3 is a front elevational view of the assembled hinge;

FIG. 4 is a rear elevational view thereof;

FIG. 5 is a left side elevational view with the right side view being a mirror image;

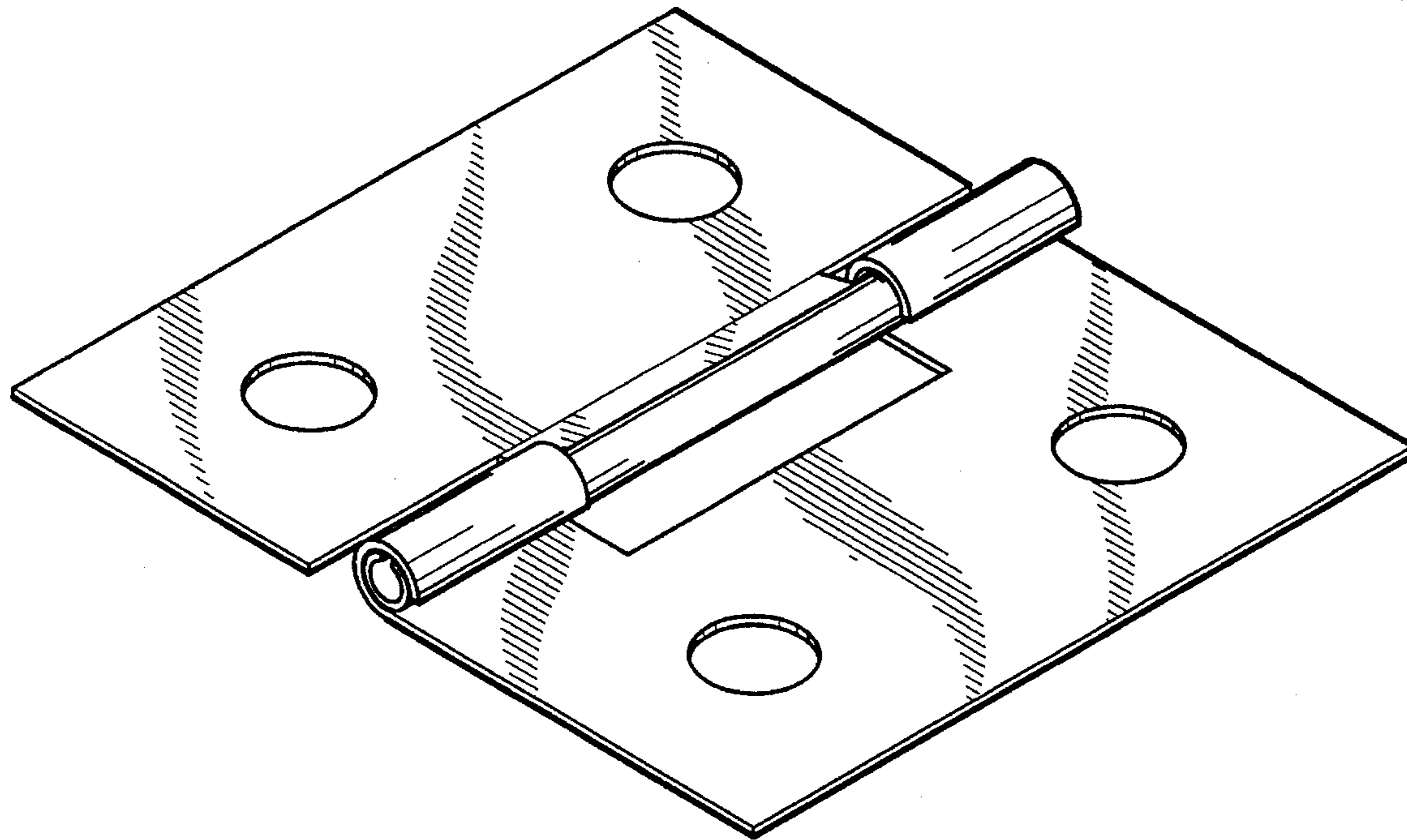
FIG. 6 is a top plan view thereof;

FIG. 7 is a bottom plan view thereof; and,

FIG. 8 is an environmental perspective view thereof.

The broken line showing of the additional hinge structure which forms a piano hinge is for illustrative purposes only, and forms no part of the claimed design.

1 Claim, 4 Drawing Sheets



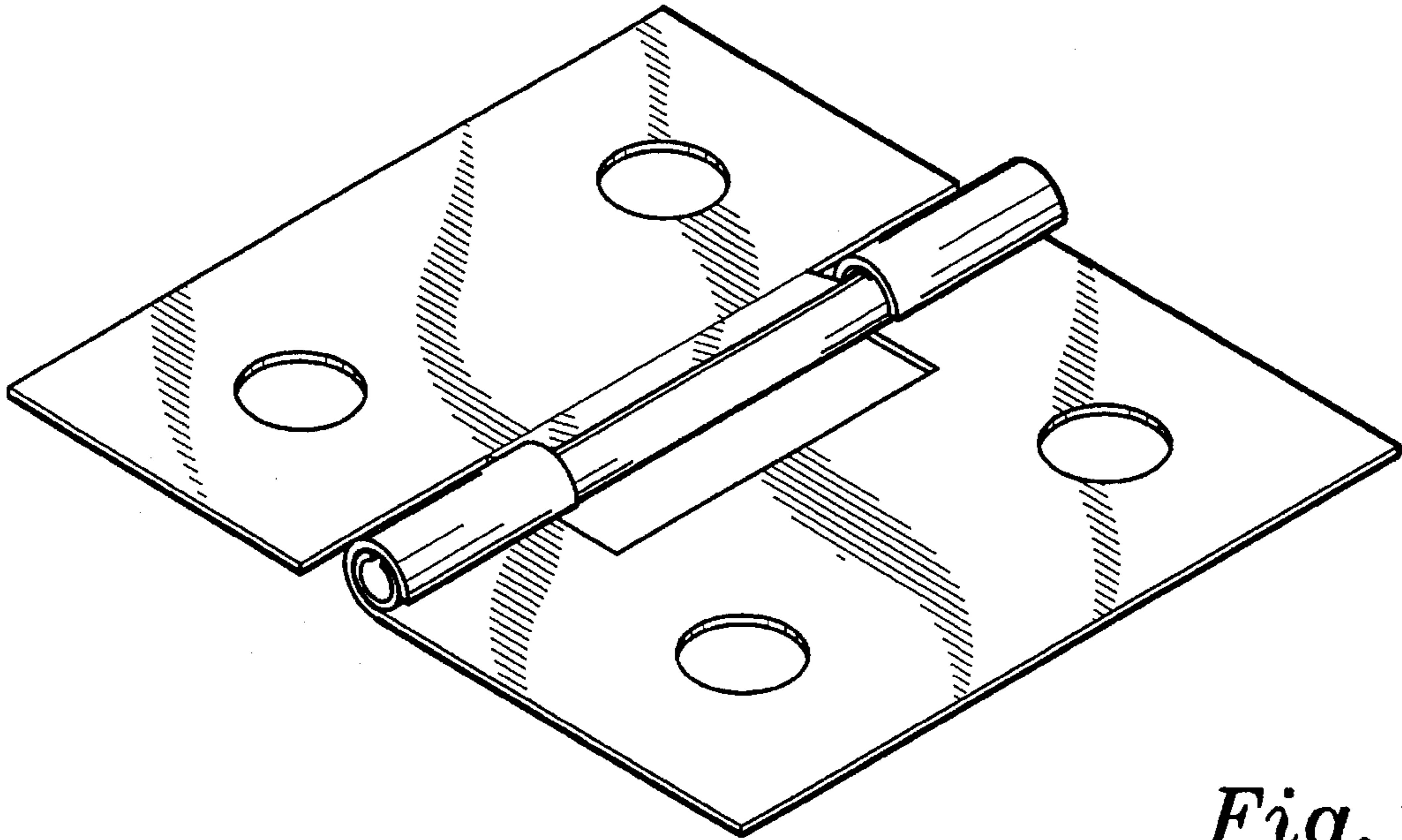


Fig. 1

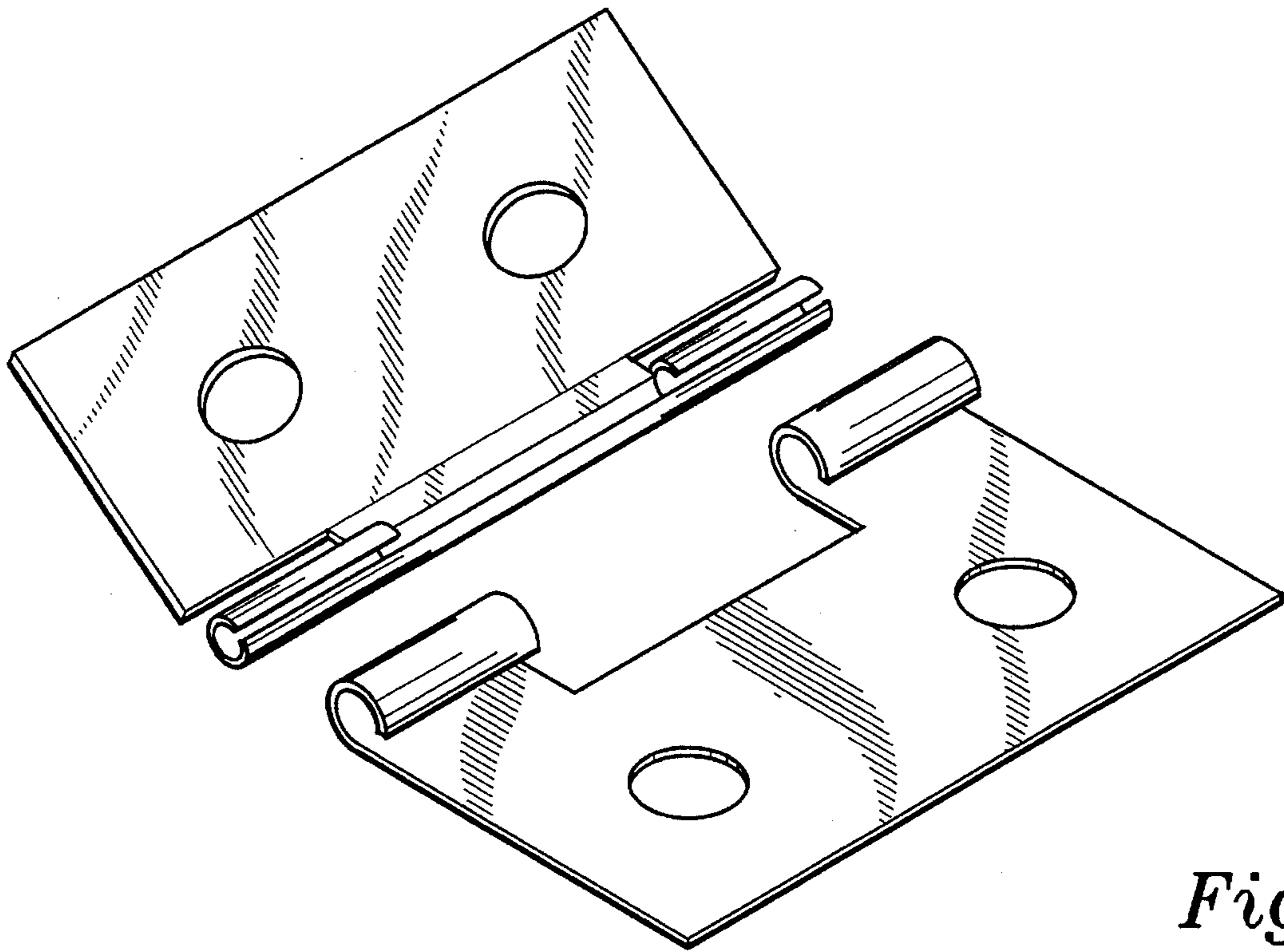


Fig. 2

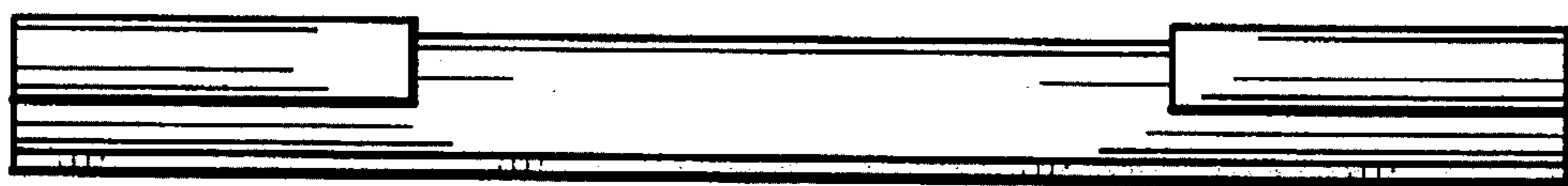


Fig. 3

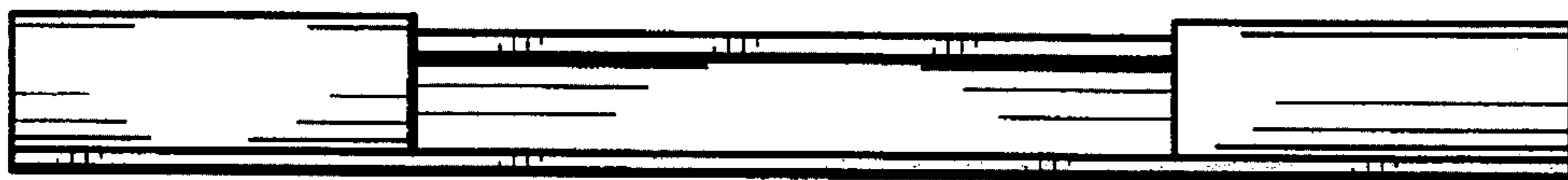


Fig. 4



Fig. 5

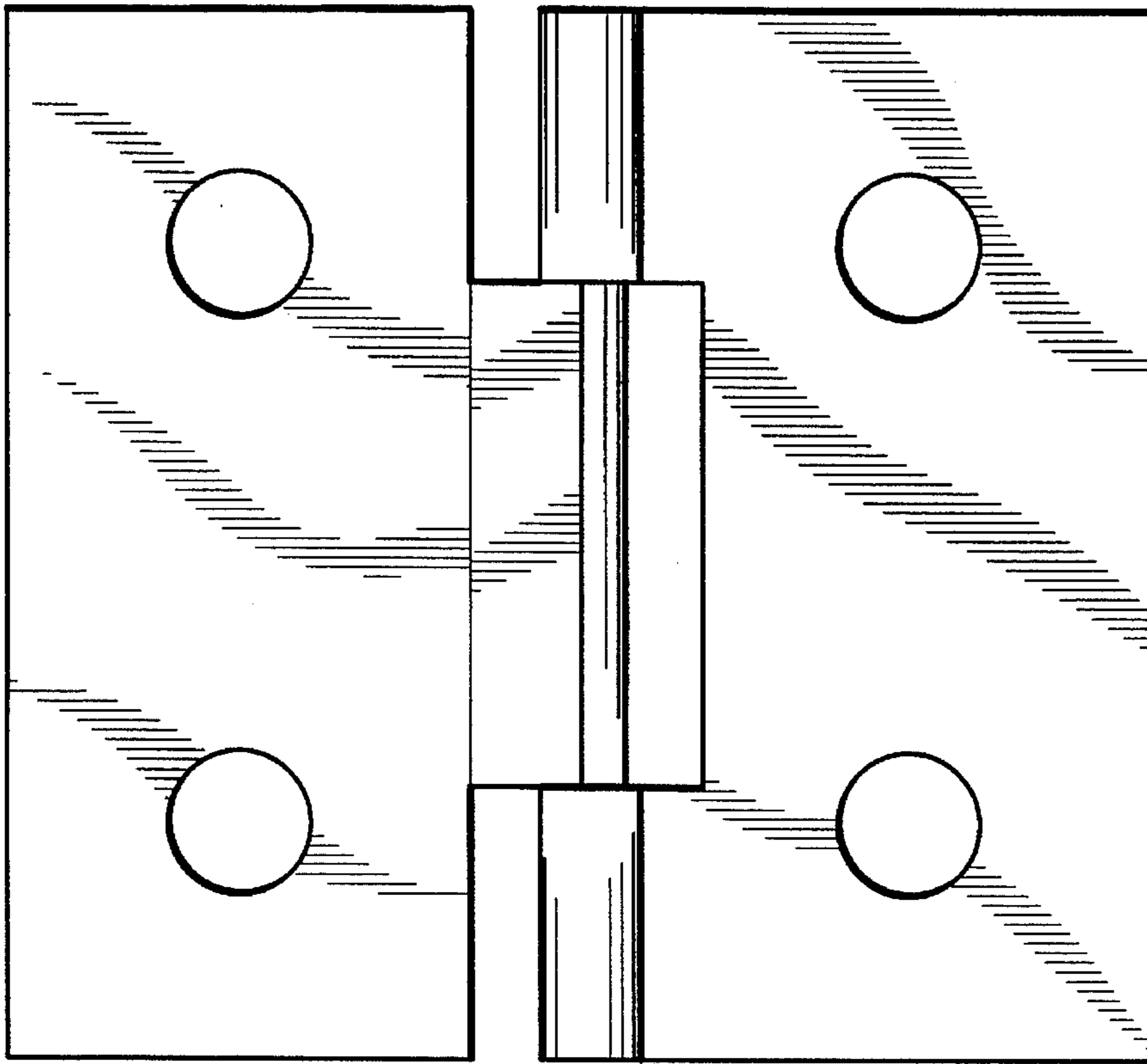


Fig. 6

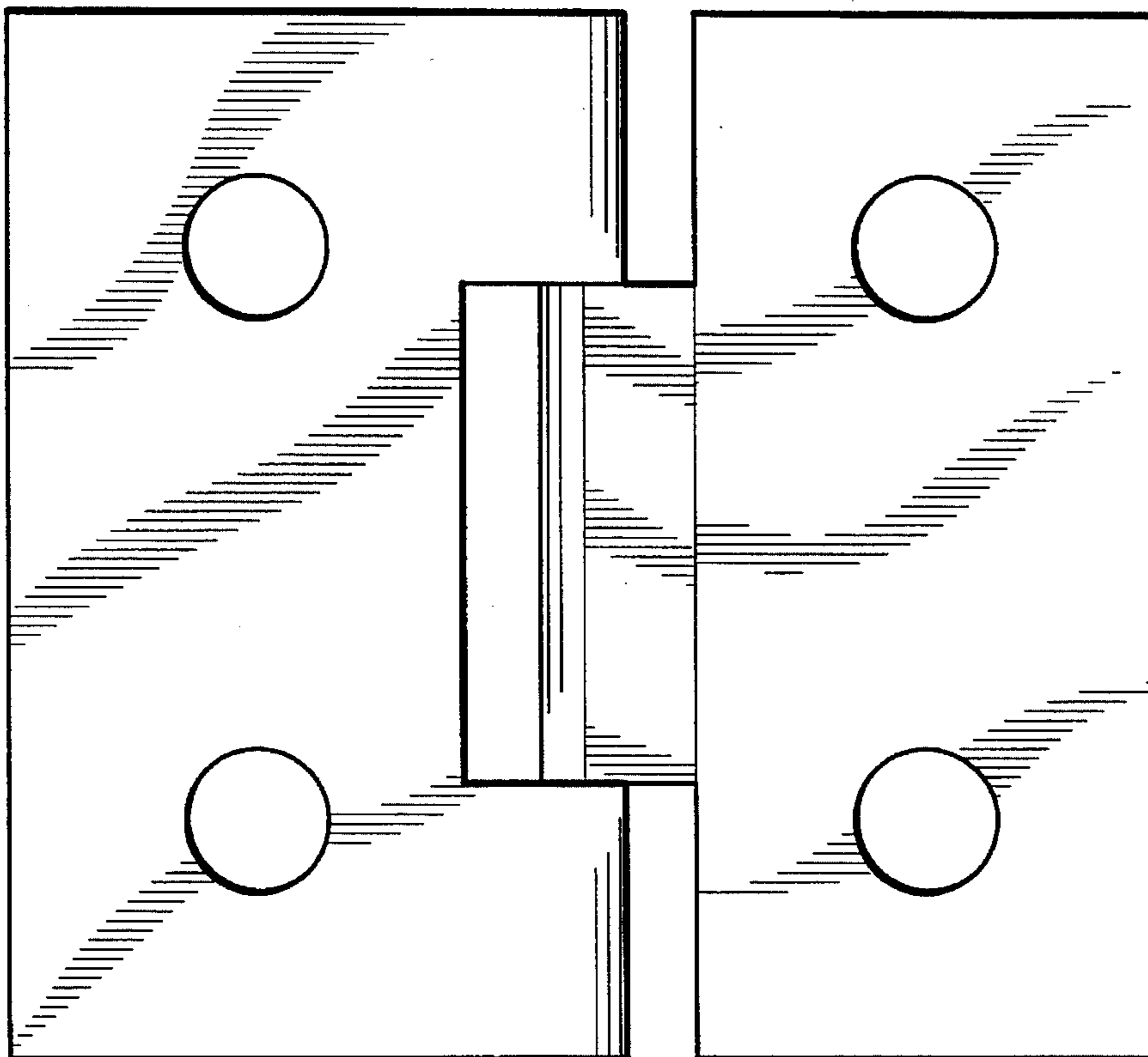


Fig. 7

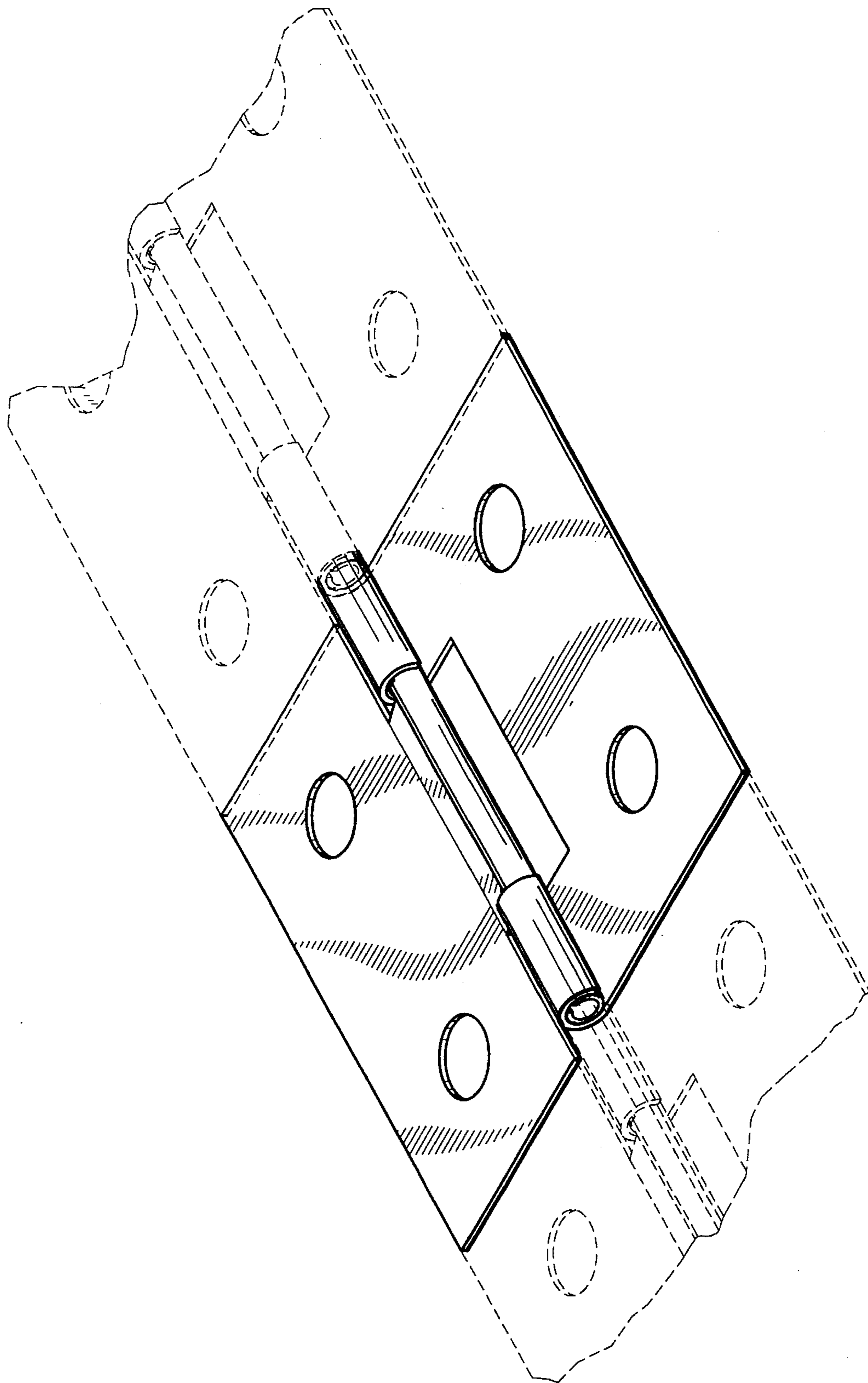


Fig. 8