



US00D376970S

United States Patent [19]

Drake

[11] Patent Number: **Des. 376,970**

[45] Date of Patent: ****Dec. 31, 1996**

[54] **CLAMPING GUN**

4,874,155 10/1989 Goul D8/73
5,161,787 11/1992 Hobday 269/166

[76] Inventor: **Johannes Drake**, Am Richterbusch 18,
33106 Paderborn, Germany

FOREIGN PATENT DOCUMENTS

[**] Term: **14 Years**

2689803A1 10/1993 France 206/372

[21] Appl. No.: **29,928**

Primary Examiner—B. J. Bullock
Assistant Examiner—Robert M. Spear
Attorney, Agent, or Firm—Herbert L. Lerner; Laurence A. Greenberg

[22] Filed: **Oct. 19, 1994**

[30] Foreign Application Priority Data

[57] CLAIM

Apr. 21, 1994 [DE] Germany M9403408.7

[52] U.S. Cl. **D8/72; D8/73**

The ornamental design for a clamping gun, as shown and described.

[58] Field of Search D8/14.1, 68, 72,
D8/73; 72/311, 313; 81/126, 152, 487;
206/372; 269/6, 166, 214

DESCRIPTION

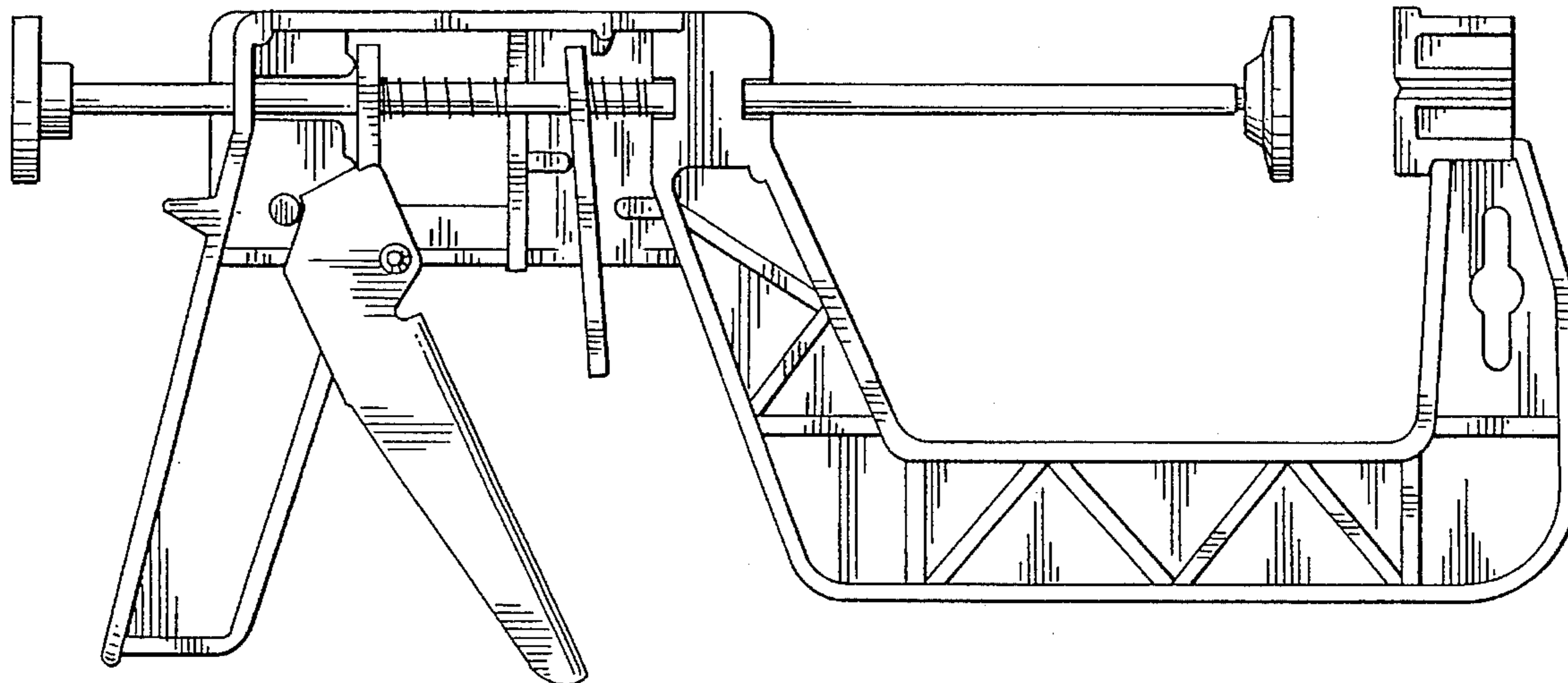
[56] References Cited

U.S. PATENT DOCUMENTS

D. 246,221 11/1977 Cox D8/14.1
D. 272,272 1/1984 Green et al. D8/68
D. 297,402 8/1988 Williams D8/73
D. 334,524 4/1993 Pinkney D8/73
4,220,322 9/1980 Hobday 269/214

FIG. 1 is a right-side elevational view of my novel clamping gun design;
FIG. 2 is a left-side elevational view thereof;
FIG. 3 is a top-plan view thereof;
FIG. 4 is a bottom-plan view thereof;
FIG. 5 is a rear-elevational view thereof; and,
FIG. 6 is a front-elevational view thereof.

1 Claim, 4 Drawing Sheets



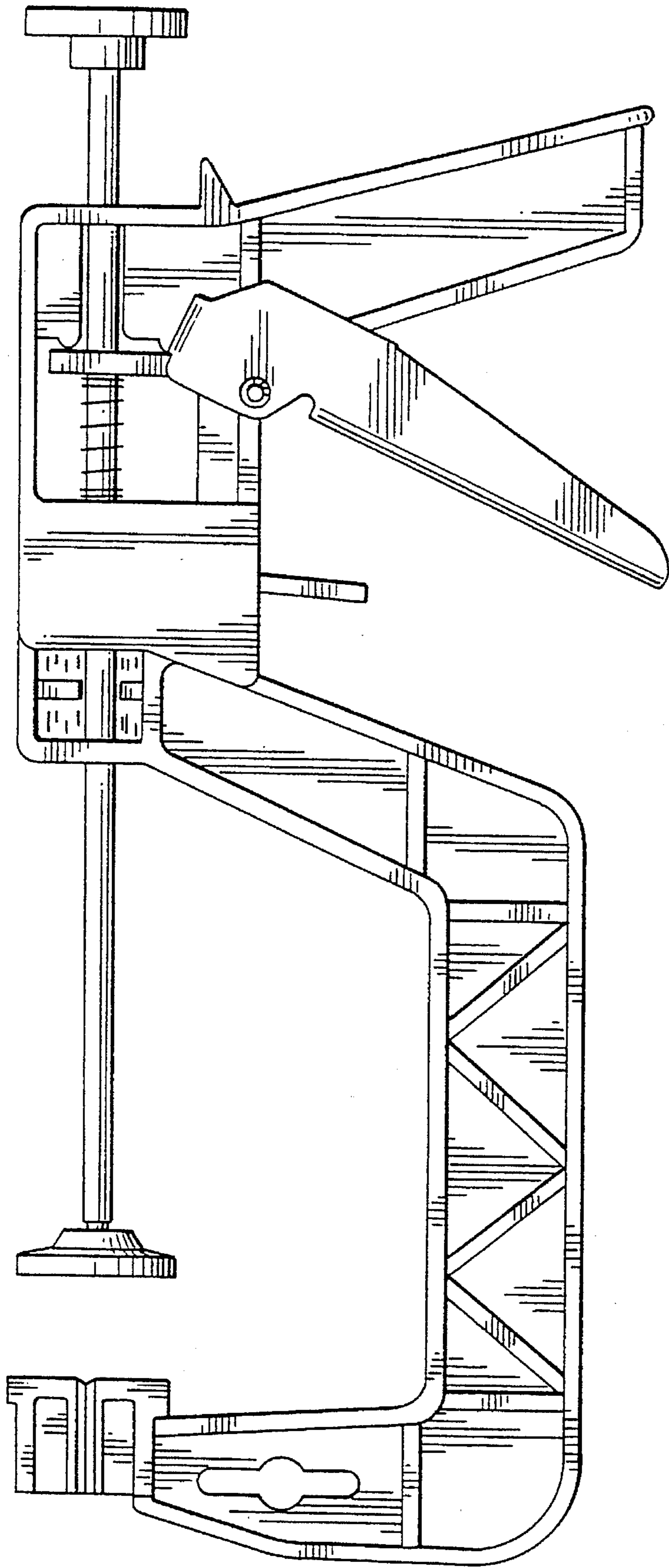


Fig. 1

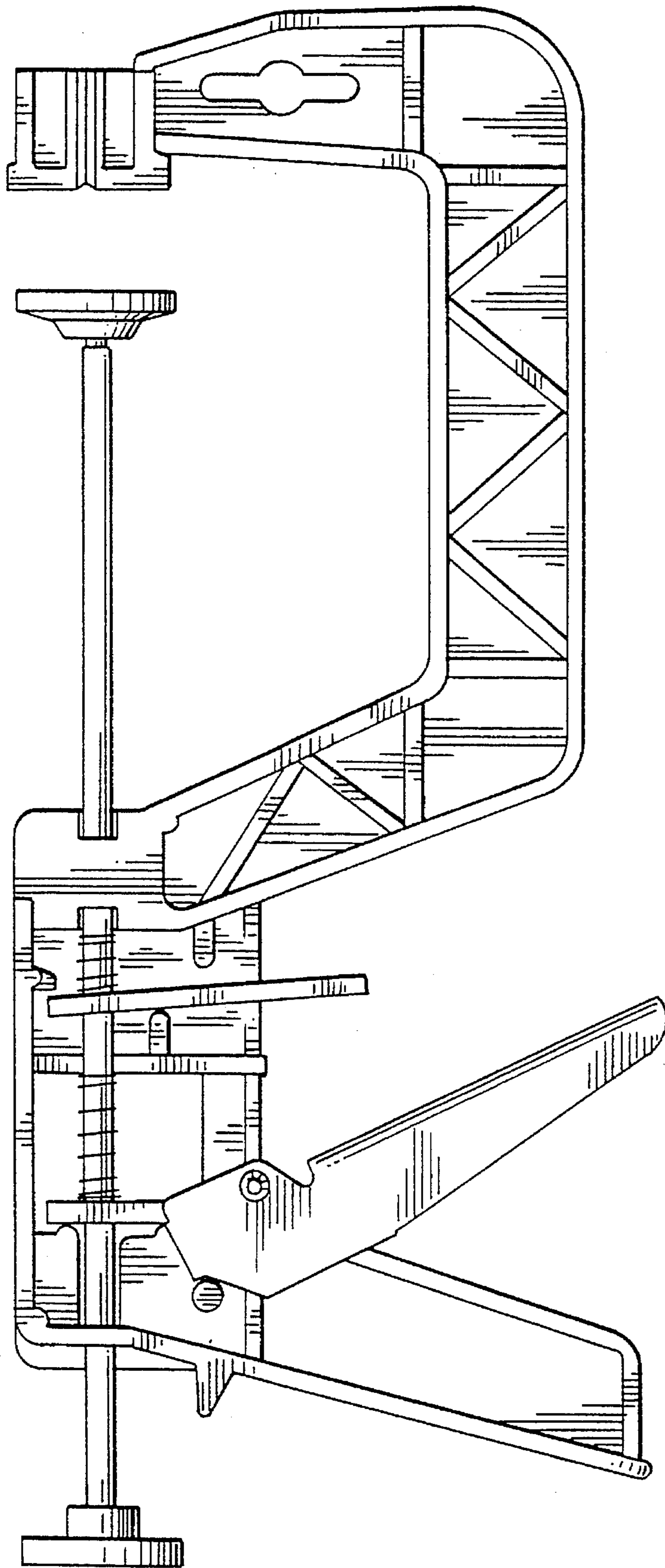


Fig. 2

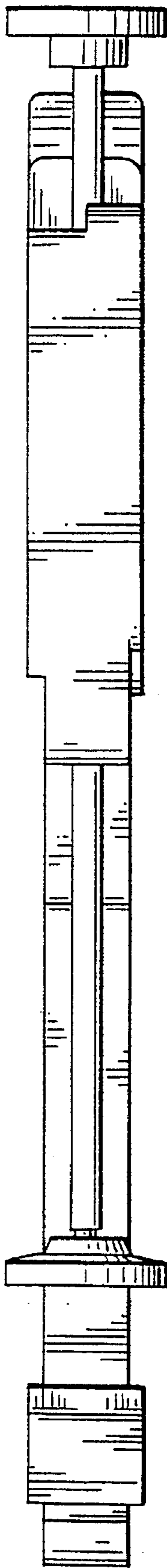


Fig. 3

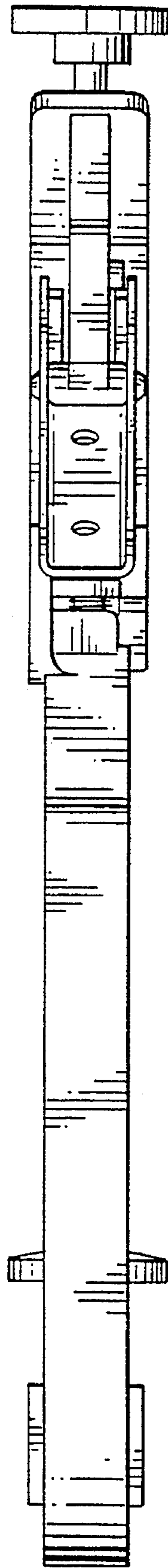


Fig. 4

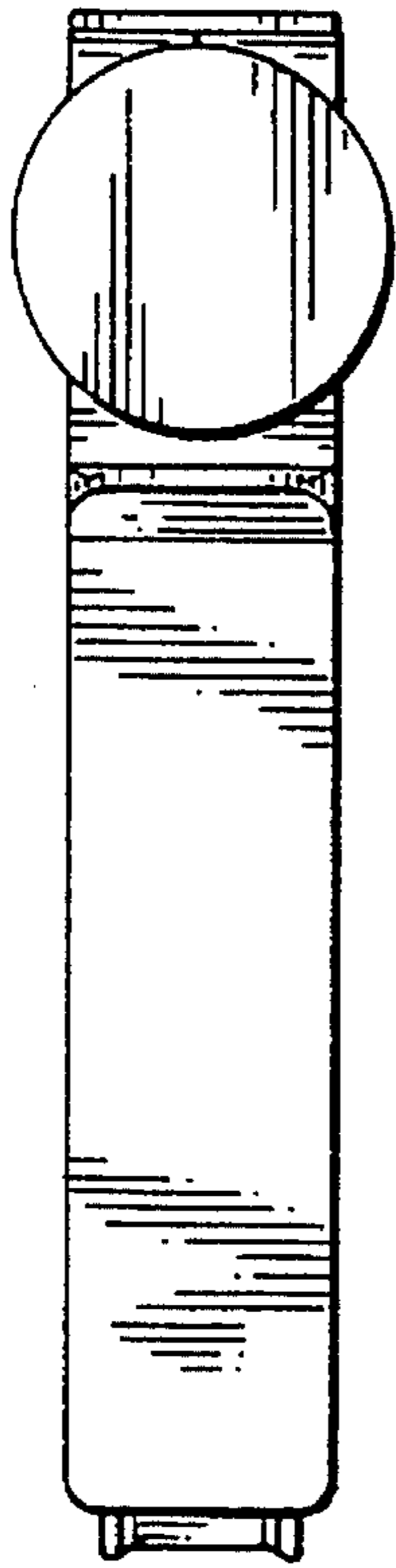


Fig. 5

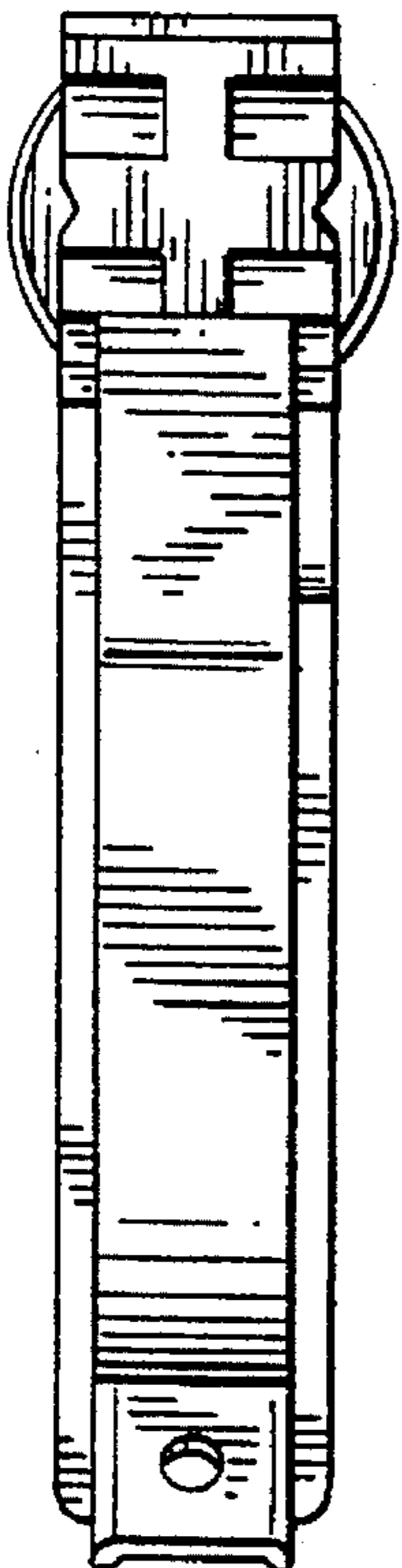


Fig. 6