



US00D376969S

United States Patent [19]

Kazamaki et al.

[11] Patent Number: **Des. 376,969**

[45] Date of Patent: ****Dec. 31, 1996**

[54] PISTOL HANDLE PULSE TOOL

[75] Inventors: **Yutaka Kazamaki**, New Hartford;
Joseph Groshans, Clinton; **Jeffrey Spooner**, West Winfield; **Seth Jones**, Camden; **Mark Tinklepaugh**, Canastota, all of N.Y.

[73] Assignee: **Chicago Pneumatic Tool Company**, Utica, N.Y.

[**] Term: **14 Years**

[21] Appl. No.: **38,654**

[22] Filed: **May 11, 1995**

[52] U.S. Cl. **D8/68**

[58] Field of Search D8/61, 64, 67,
D8/68, 82; D24/146; 81/57, 57.11, 57.14,
177.4, 469, 474; 173/169, 170; 144/150,
218

[56] **References Cited**

U.S. PATENT DOCUMENTS

- D. 295,714 5/1988 Sasaki et al. D8/68
- D. 320,917 10/1991 Fushiya et al. D8/68
- D. 340,394 10/1993 Okumura D8/68

- D. 340,396 10/1993 Ichikawa D8/68
- 3,960,296 6/1976 Nord D8/68
- 4,779,687 10/1988 Schreiber et al. 173/170
- 4,945,790 8/1990 Golden 81/177.4

Primary Examiner—B. J. Bullock
Assistant Examiner—Robert M. Spear
Attorney, Agent, or Firm—Schmeiser, Olsen & Watts

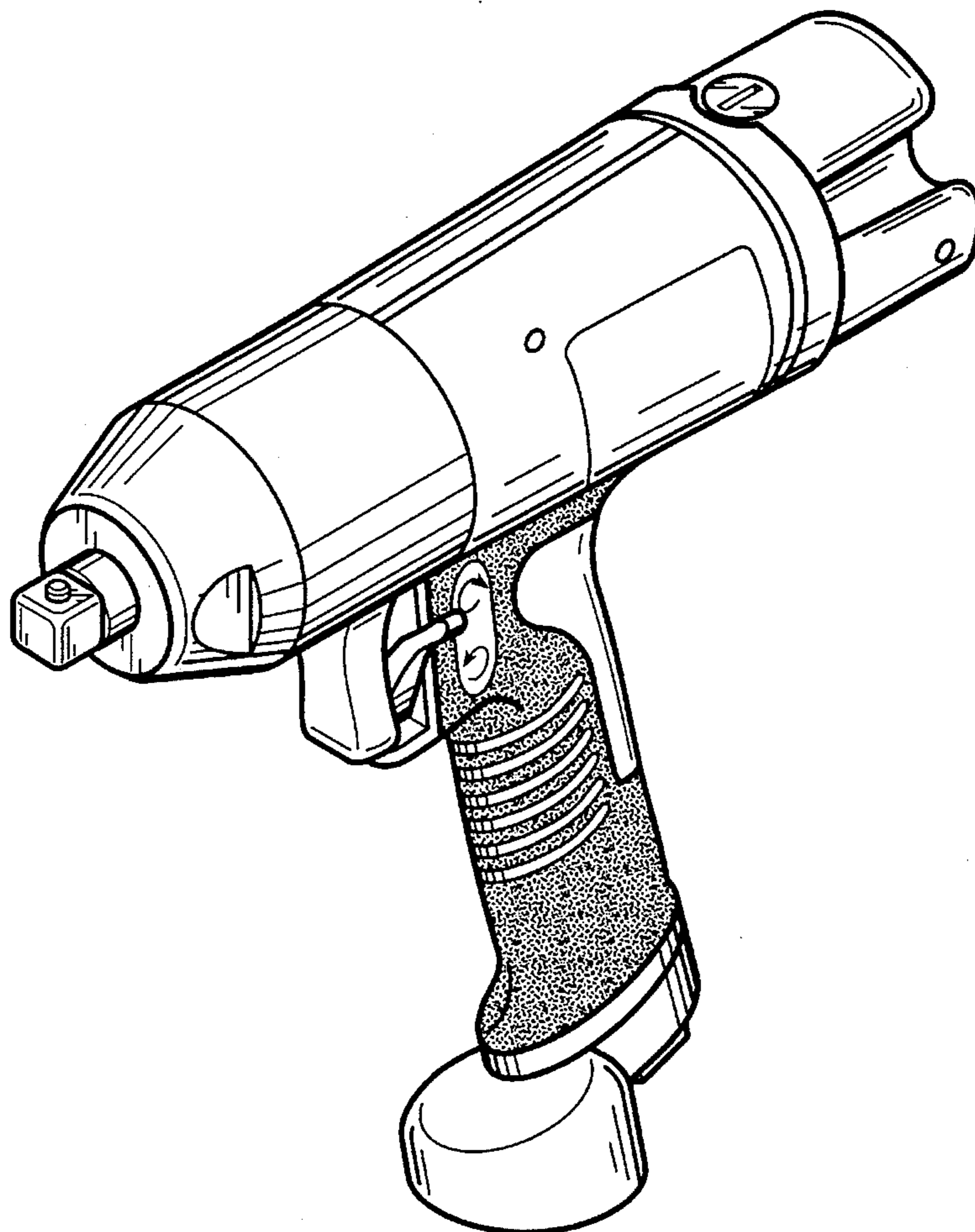
[57] **CLAIM**

The ornamental design for a pistol handle pulse tool, as shown and described.

DESCRIPTION

FIG. 1 is a top plan view of a pistol-type pulse tool showing our new design;
FIG. 2 is a bottom plan view thereof;
FIG. 3 is a right side elevational view thereof;
FIG. 4 is a left side elevational view thereof;
FIG. 5 is a front elevational view thereof;
FIG. 6 is a rear elevational view thereof;
FIG. 7 is a top right perspective view thereof; and,
FIG. 8 is a bottom left perspective view thereof.
FIGS. 3-6 are shown at a reduced scale; FIGS. 7-8 are shown at a further reduced scale.

1 Claim, 6 Drawing Sheets



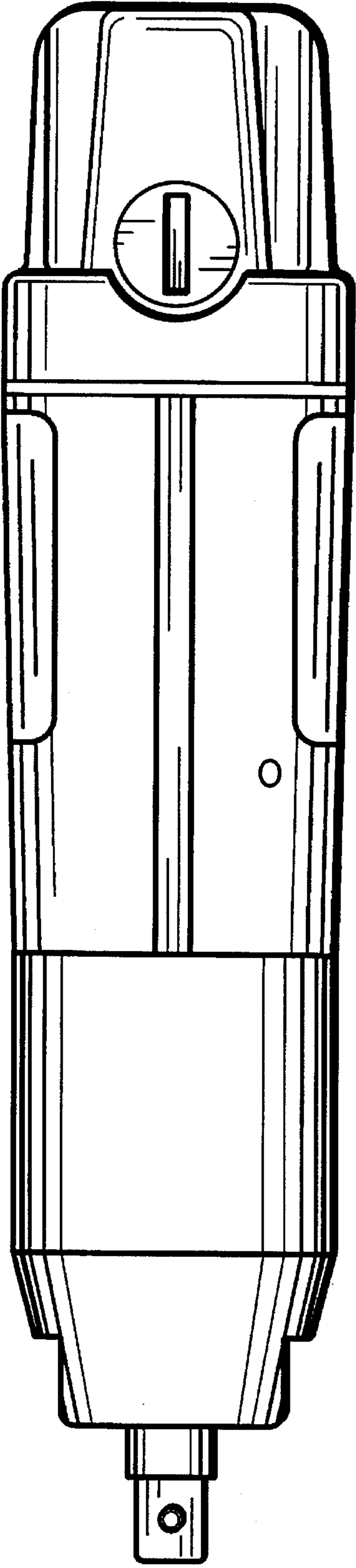


FIG. 1

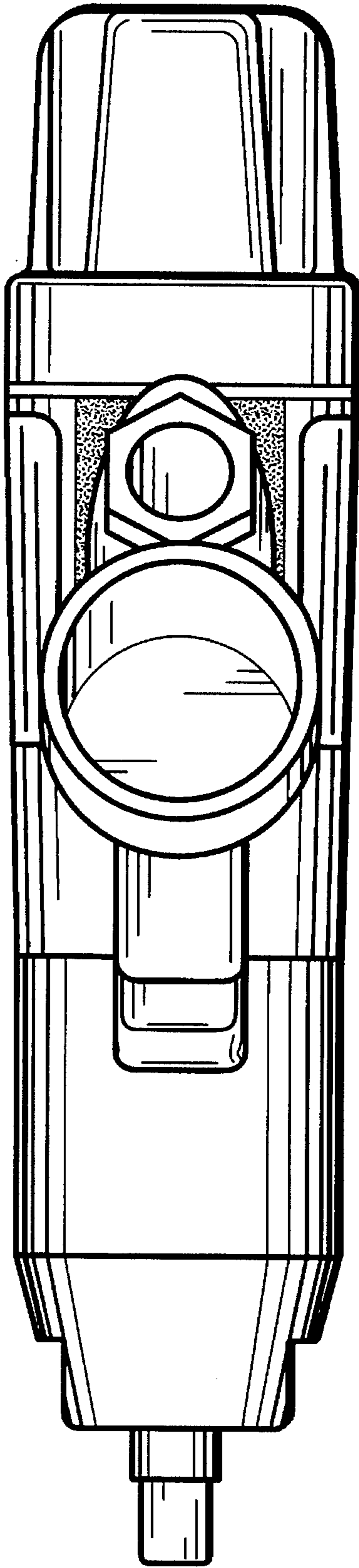


FIG. 2

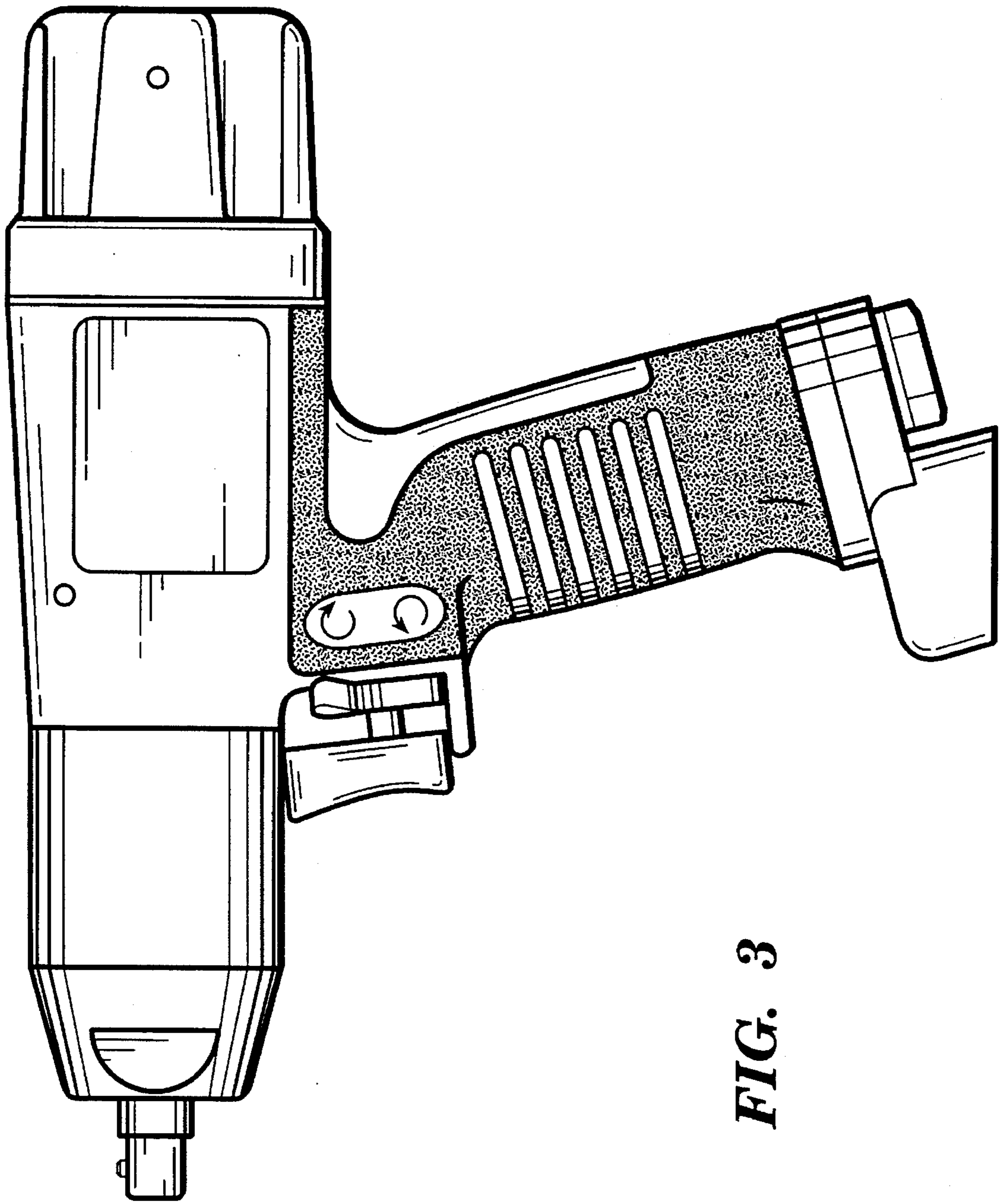


FIG. 3

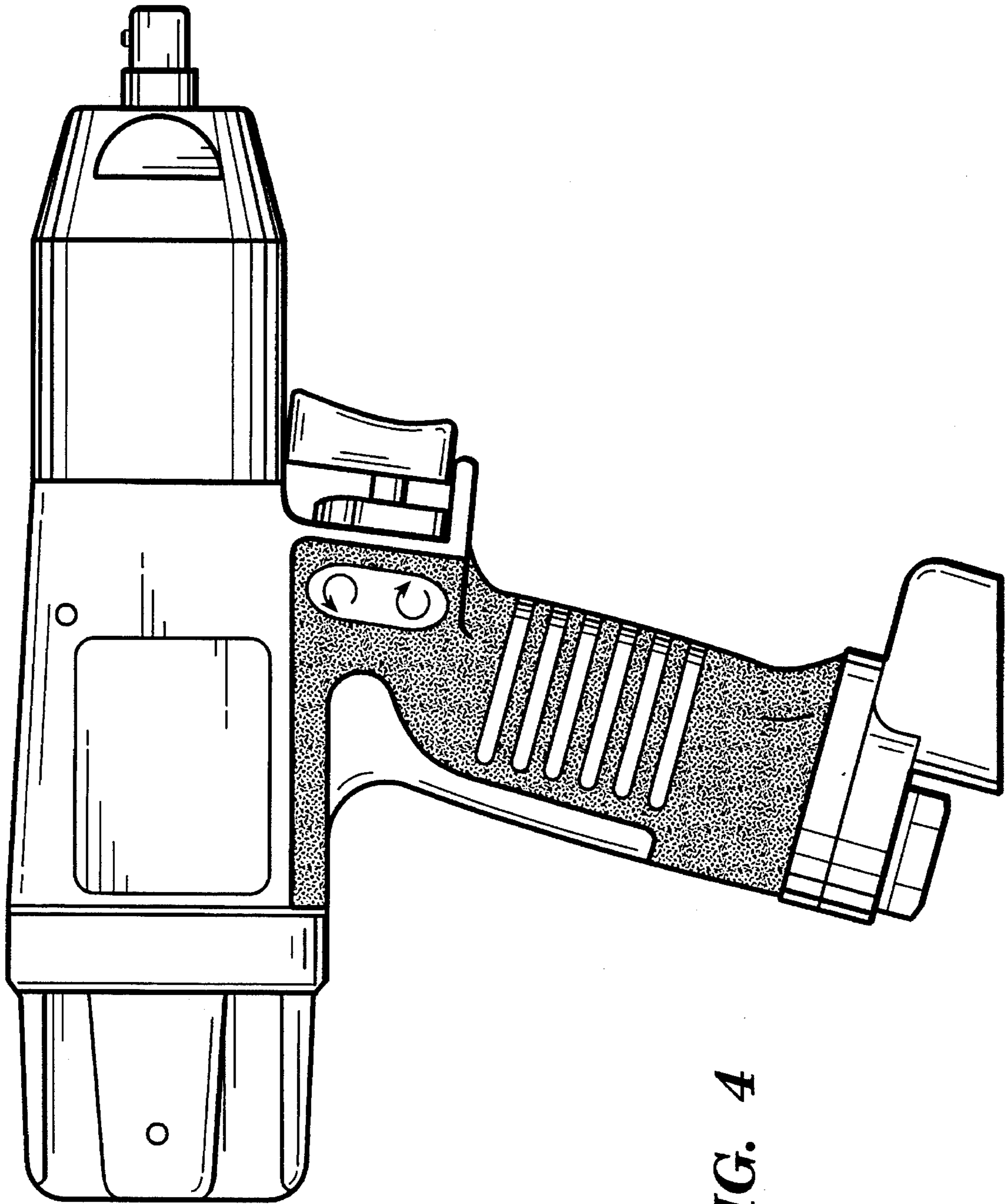


FIG. 4

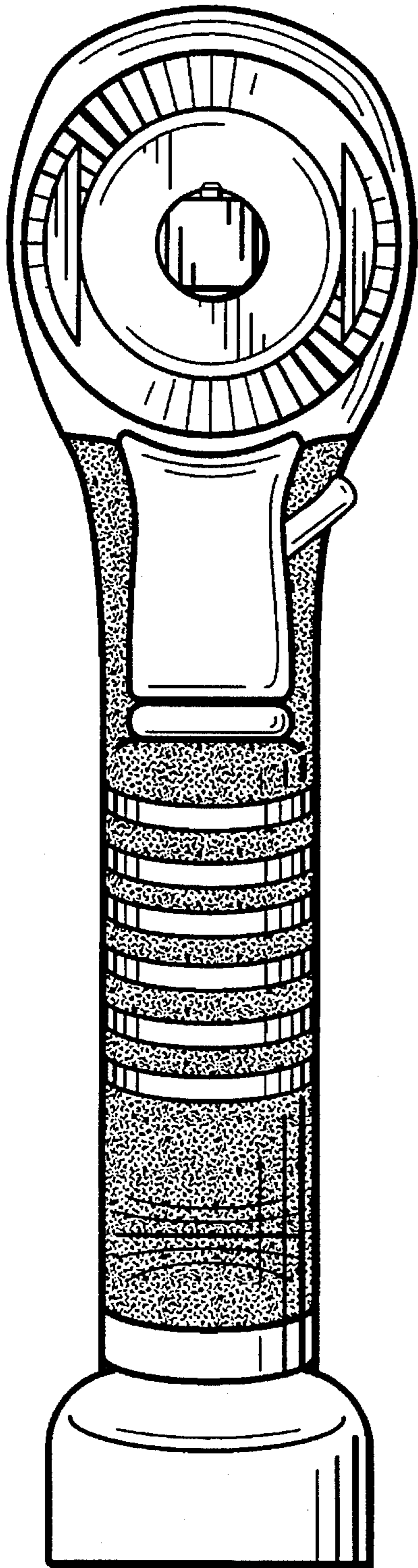


FIG. 5

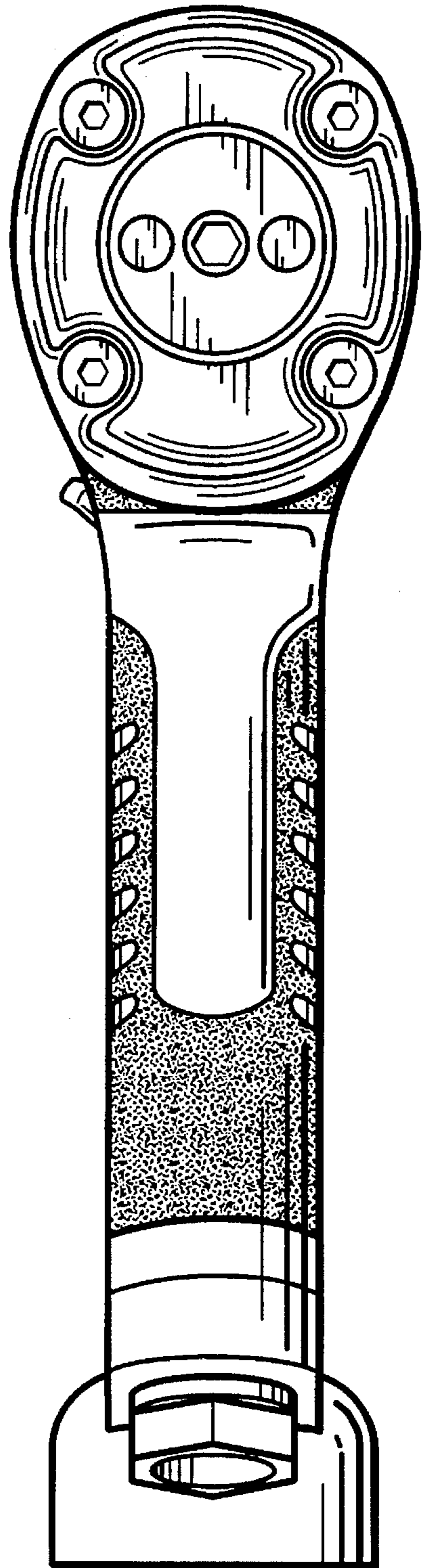


FIG. 6

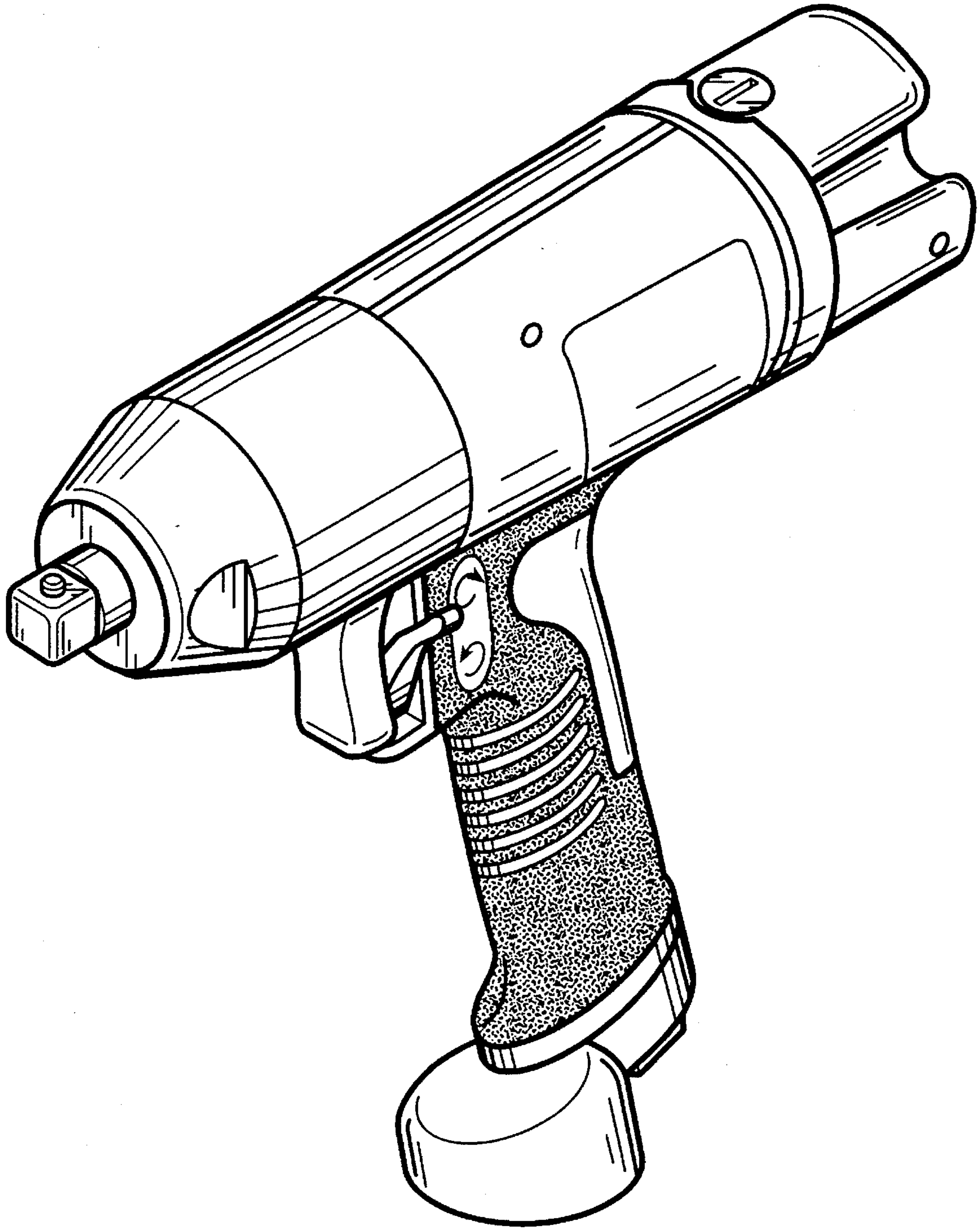


FIG. 7

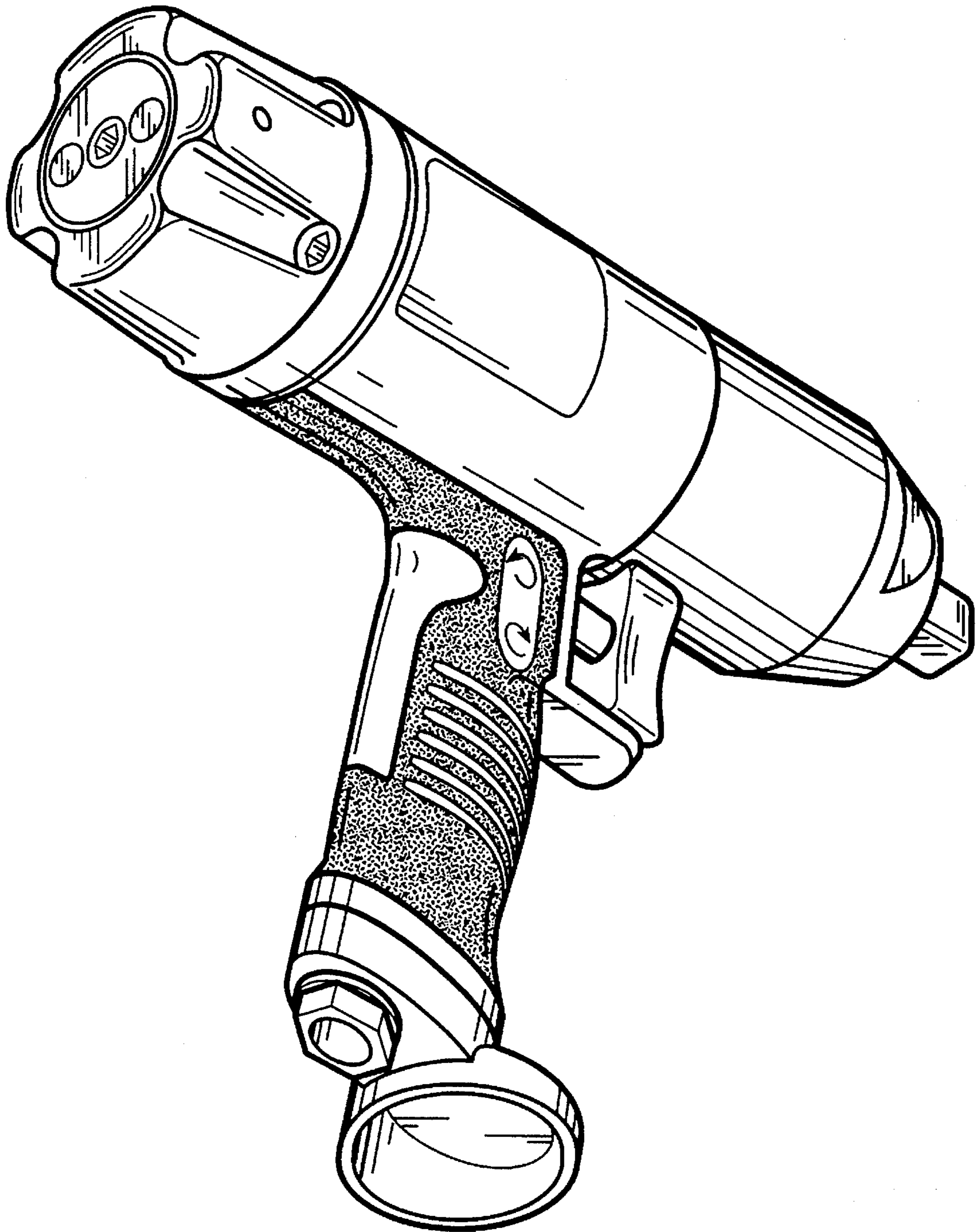


FIG. 8