



US00D376968S

# United States Patent [19] Kim

[11] Patent Number: **Des. 376,968**

[45] Date of Patent: **\*\*Dec. 31, 1996**

[54] **GRINDER**

[75] Inventor: **Kyung T. Kim**, Inchon, Rep. of Korea

[73] Assignee: **LG Industrial Systems Co., Ltd.**,  
Seoul, Rep. of Korea

[\*\*] Term: **14 Years**

[21] Appl. No.: **43,377**

[22] Filed: **Aug. 28, 1995**

[30] **Foreign Application Priority Data**

Feb. 28, 1995 [KR] Rep. of Korea ..... 95-3416

[52] **U.S. Cl.** ..... **D8/62**

[58] **Field of Search** ..... D8/61, 62, 68;  
81/54, 57.11, 57.13, 57.14; 173/169, 170;  
408/124, 125; 451/344, 356, 357, 359,  
414, 456

[56] **References Cited**

**U.S. PATENT DOCUMENTS**

D. 301,830 6/1989 Ogawa et al. .... D8/62  
4,913,204 4/1990 Moores et al. .... 30/374  
5,020,280 6/1991 O'Reilly ..... 451/359

**OTHER PUBLICATIONS**

Bosch Model 1529 18-Gauge Nibbler, *Campbell Industrial Supply Co. General Catalog*, p. 381.

Makita Angle Grinder Model 9005B, Makita Industrial Quality Power Tools Catalog PC1287.

Bosch Sander/Grinder/Polisher Model 1357, Bosch Catalog #900057.

Black & Decker Angle Grinder Model 2750, Black & Decker Industrial/Construction Catalog #12648, ©1991.

*Primary Examiner*—James M. Gandy  
*Assistant Examiner*—Robert M. Spear  
*Attorney, Agent, or Firm*—Beveridge, DeGrandi, Weilacher & Young, L.L.P.

[57] **CLAIM**

The ornamental design for a grinder, as shown.

**DESCRIPTION**

FIG. 1 is a perspective view from the front, top and left side of a grinder showing my design;

FIG. 2 is a front view thereof;

FIG. 3 is a top plan view thereof;

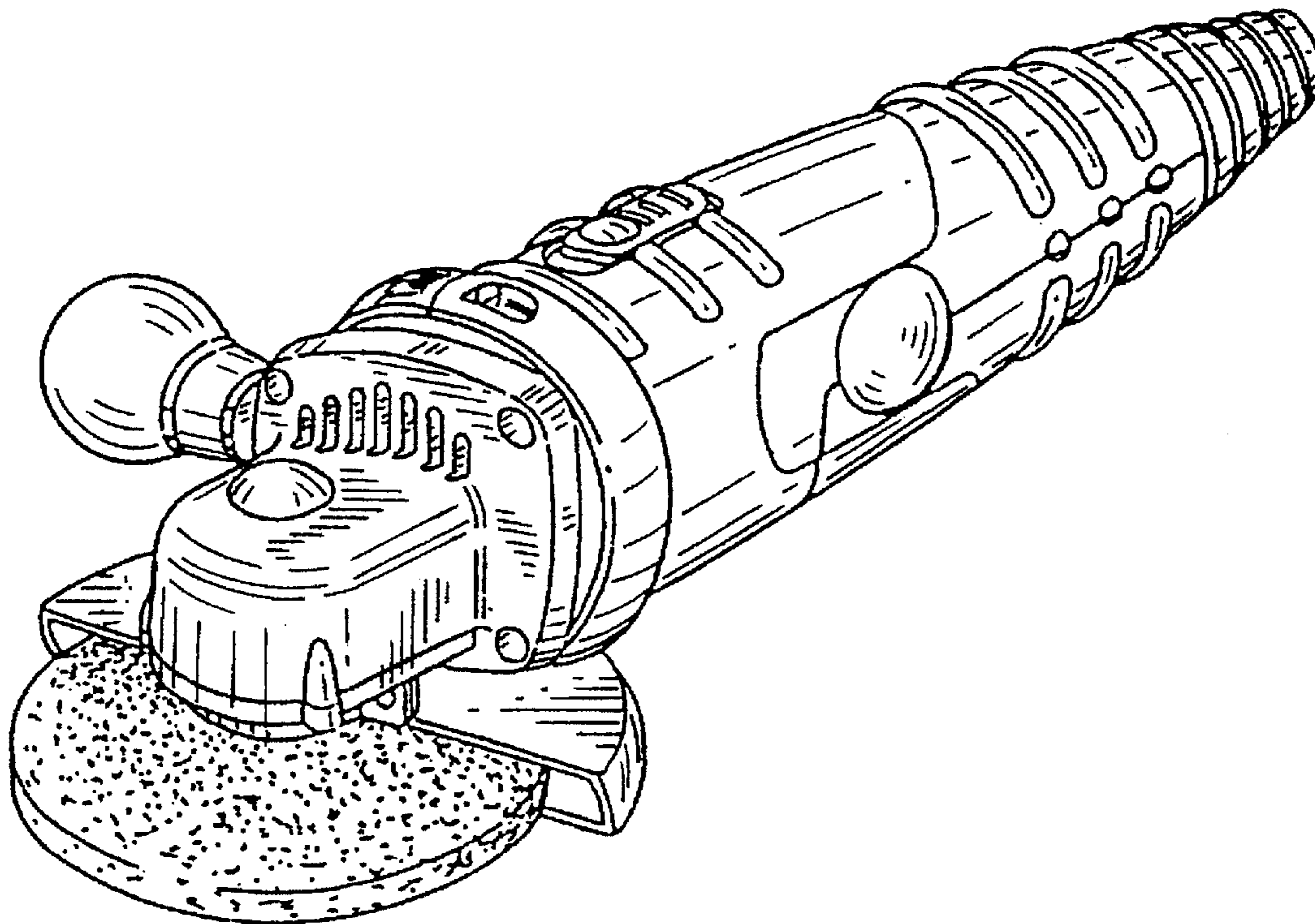
FIG. 4 is a rear view thereof;

FIG. 5 is a bottom plan view thereof;

FIG. 6 is a left side elevational view thereof; and,

FIG. 7 is a right side elevational view thereof.

**1 Claim, 3 Drawing Sheets**



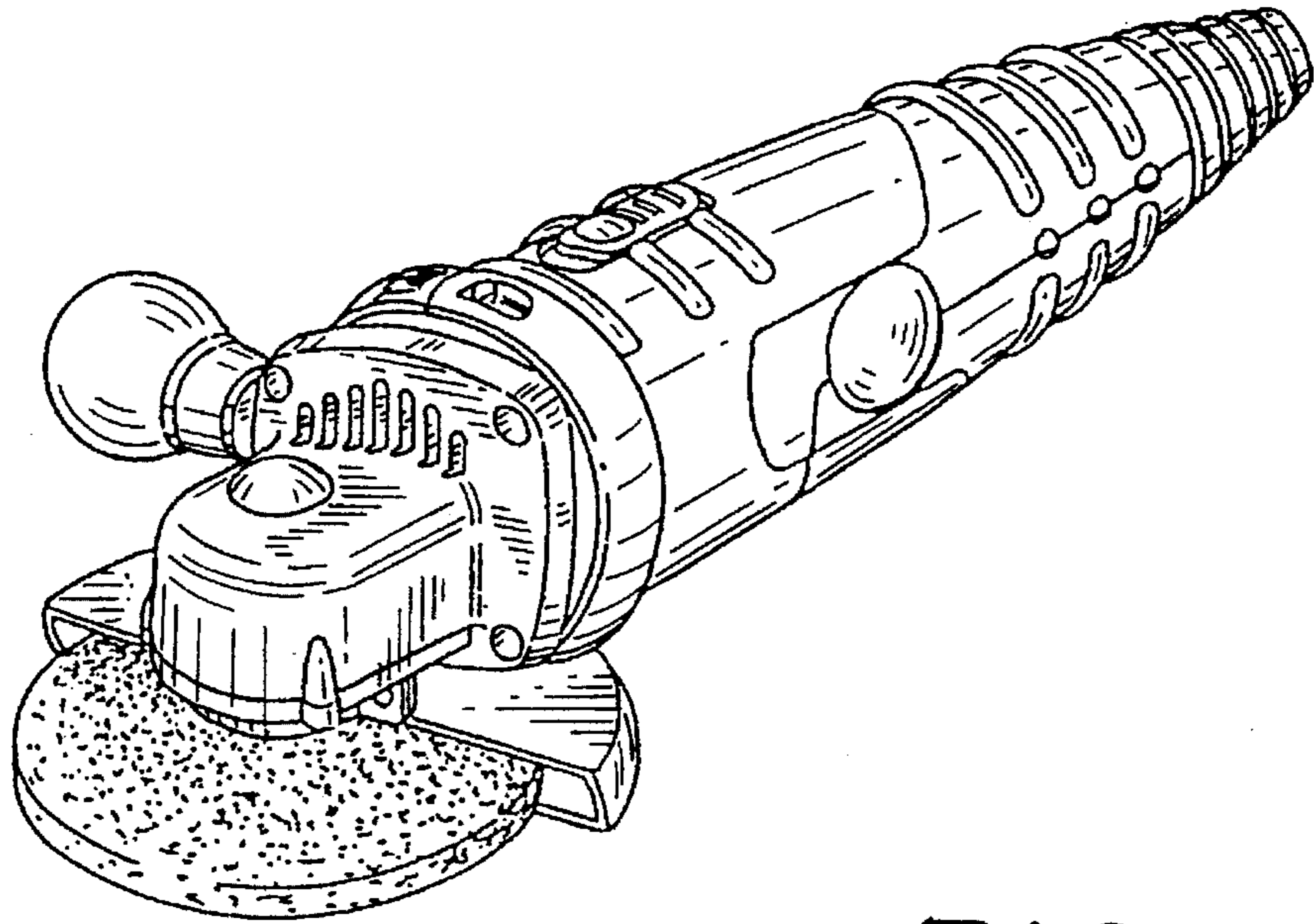


FIG. 1

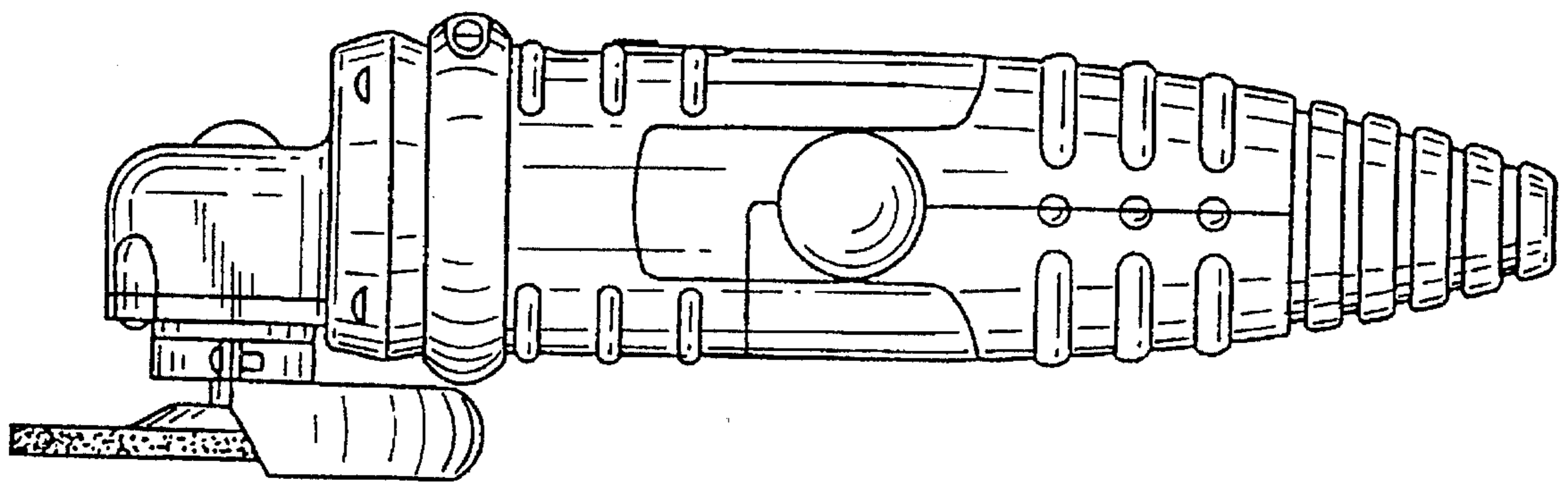


FIG. 2

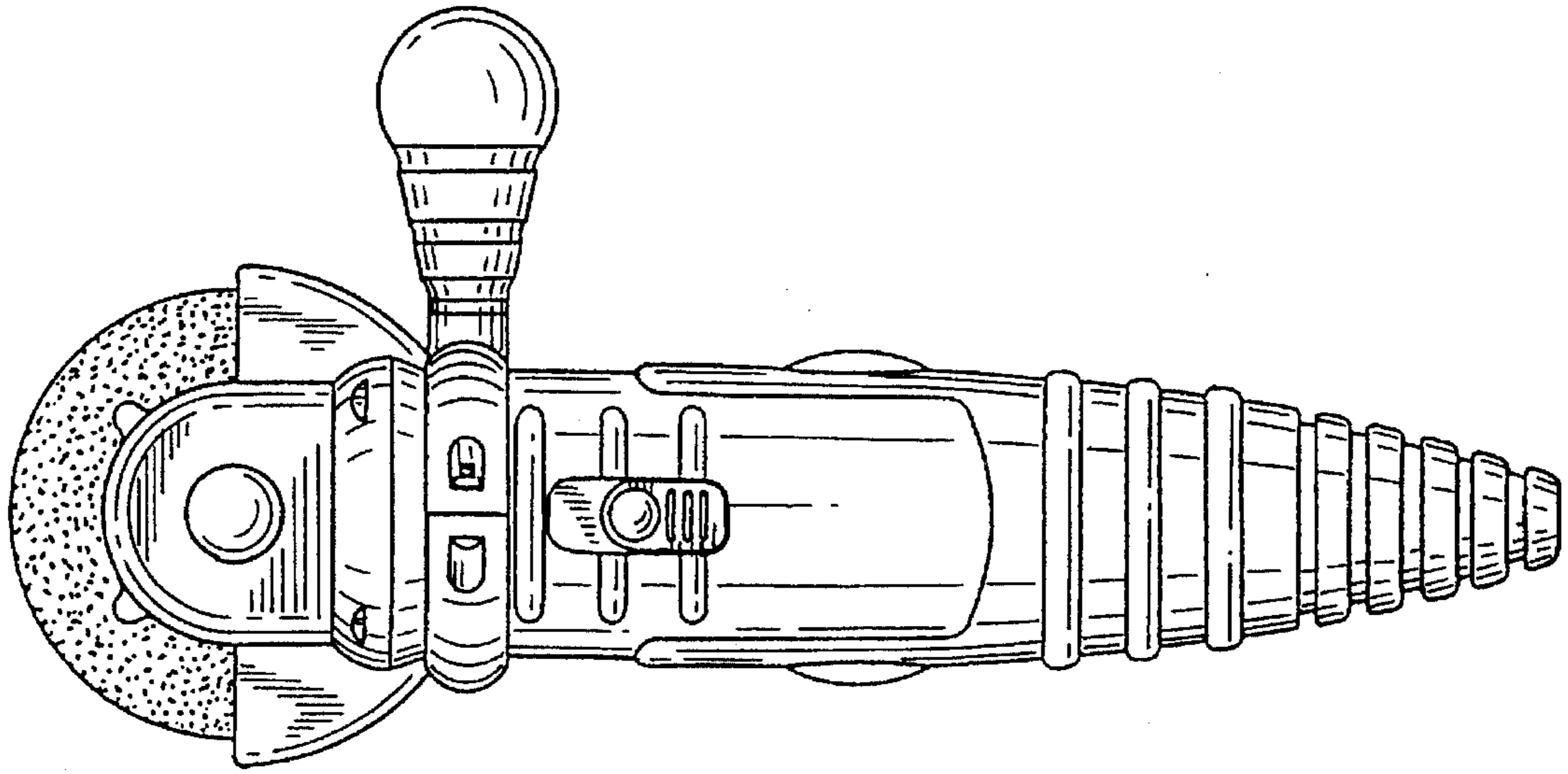


FIG. 3

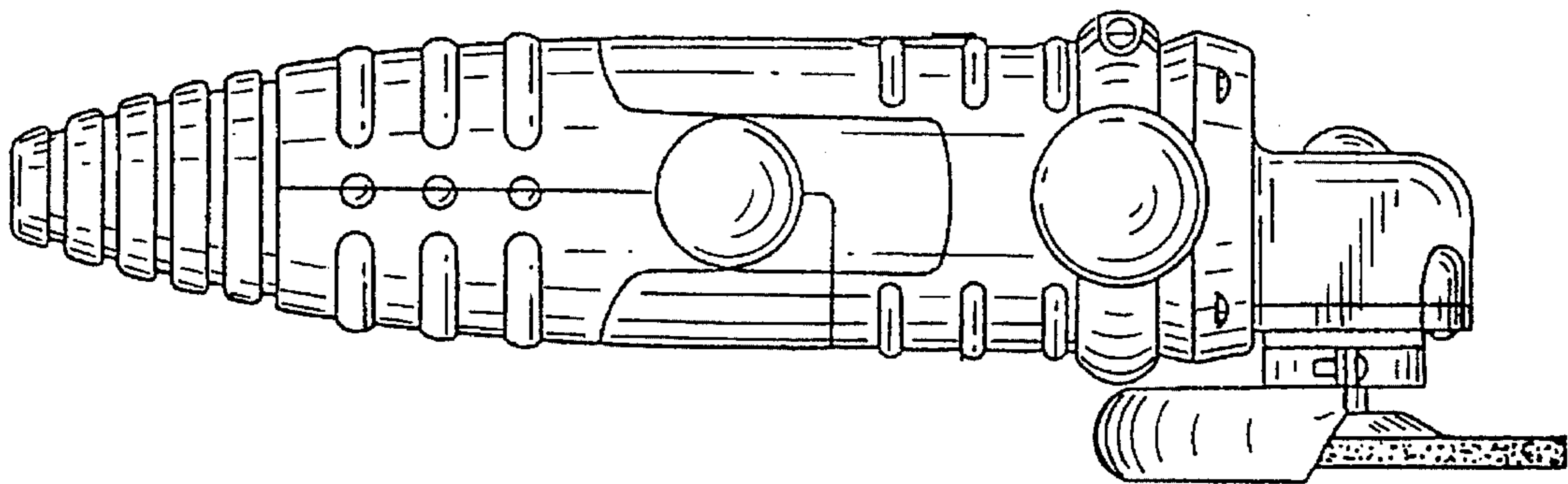


FIG. 4

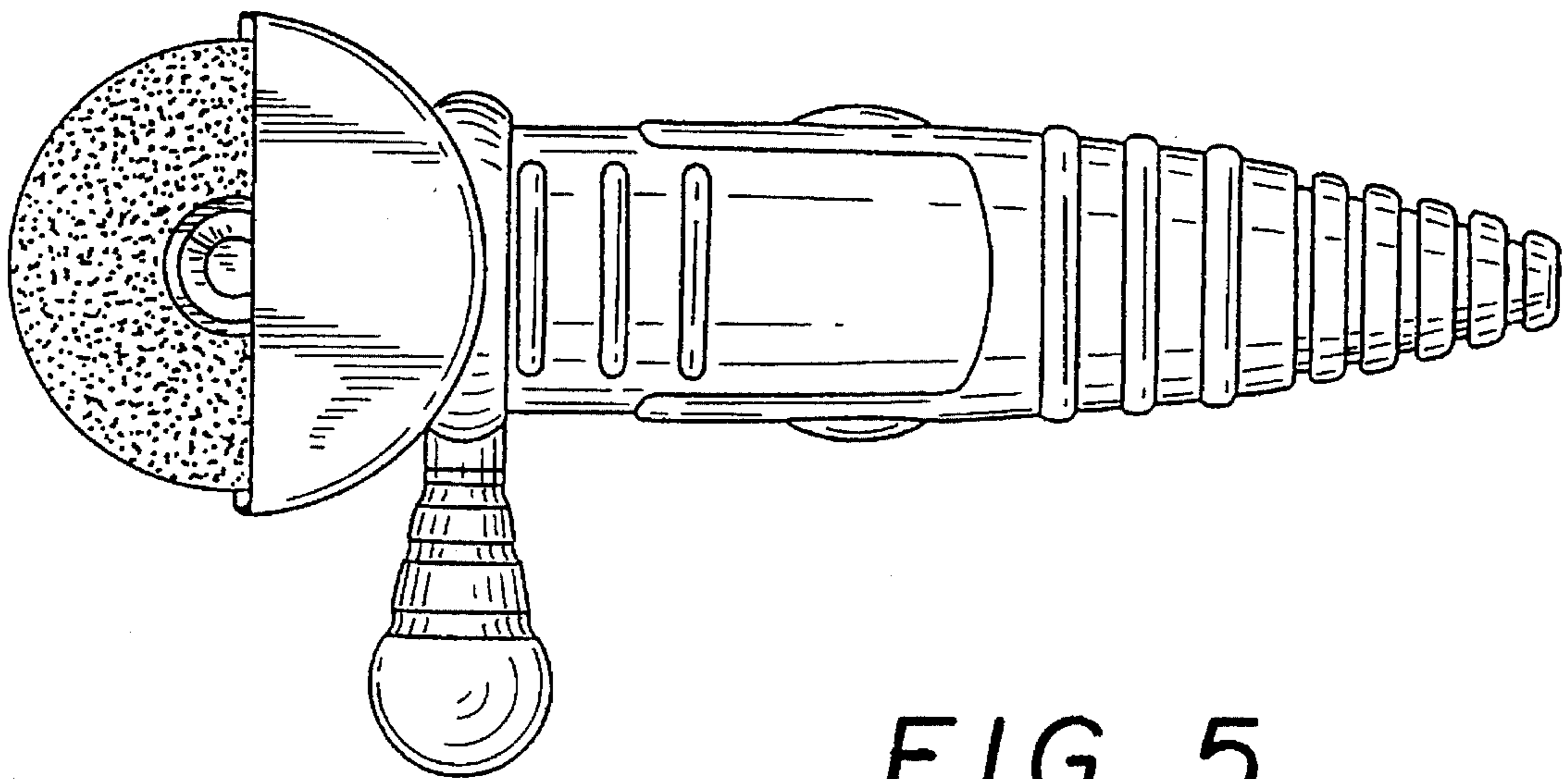


FIG. 5

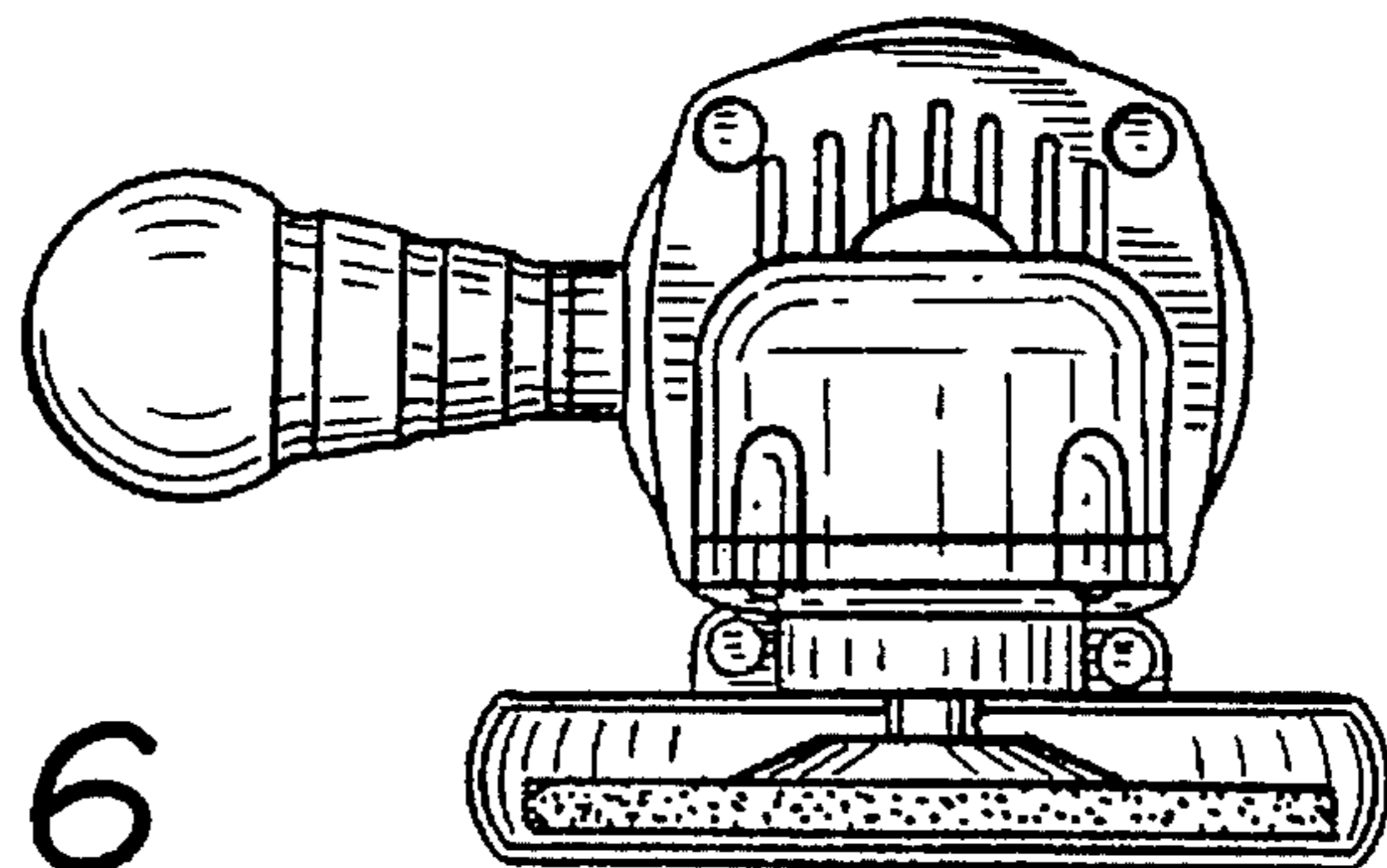


FIG. 6

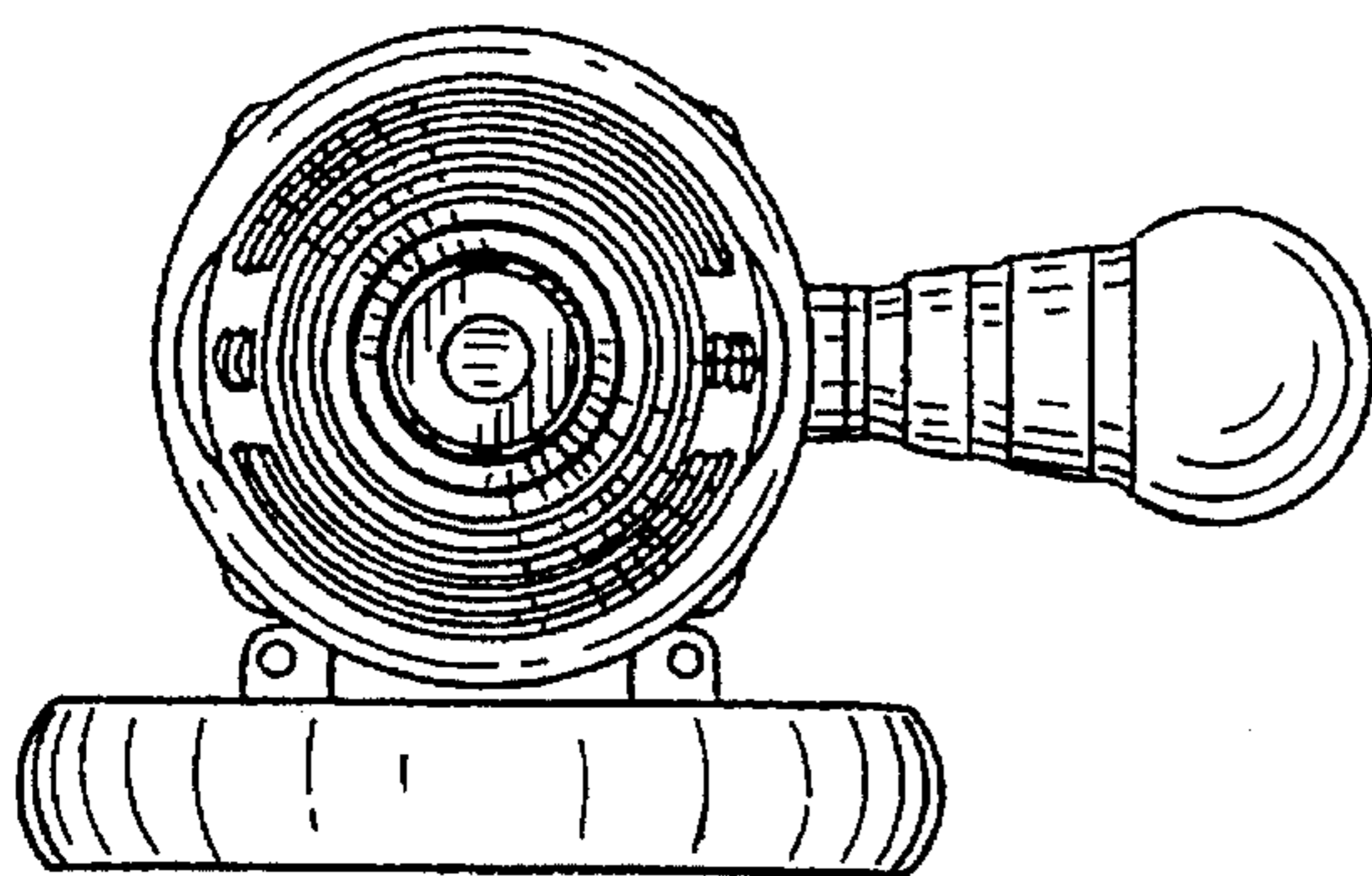


FIG. 7