



US00D376966S

United States Patent [19]

Bartlett et al.

[11] **Patent Number: Des. 376,966**

[45] **Date of Patent: **Dec. 31, 1996**

[54] **HAND-HELD DIGGING IMPLEMENT**

[76] Inventors: **Jerrold Bartlett; Glenda Bartlett**, both of P.O. Box 348, Clarkston, Wash. 99403-0348

[**] Term: **14 Years**

[21] Appl. No.: **44,131**

[22] Filed: **Sep. 18, 1995**

[52] U.S. Cl. **D8/11**

[58] Field of Search D8/7, 11; D32/46, D32/49; 172/371, 372, 380

[56] **References Cited**

U.S. PATENT DOCUMENTS

2,771,019 11/1956 Zeitz 172/372

OTHER PUBLICATIONS

Smith and Hawken Catalogue (Spring 1987) p. 9, Hand Weeder.

Primary Examiner—Brian N. Vinson

Attorney, Agent, or Firm—Norman B. Rainer

[57] **CLAIM**

The ornamental design for a hand-held digging implement, as shown and described.

DESCRIPTION

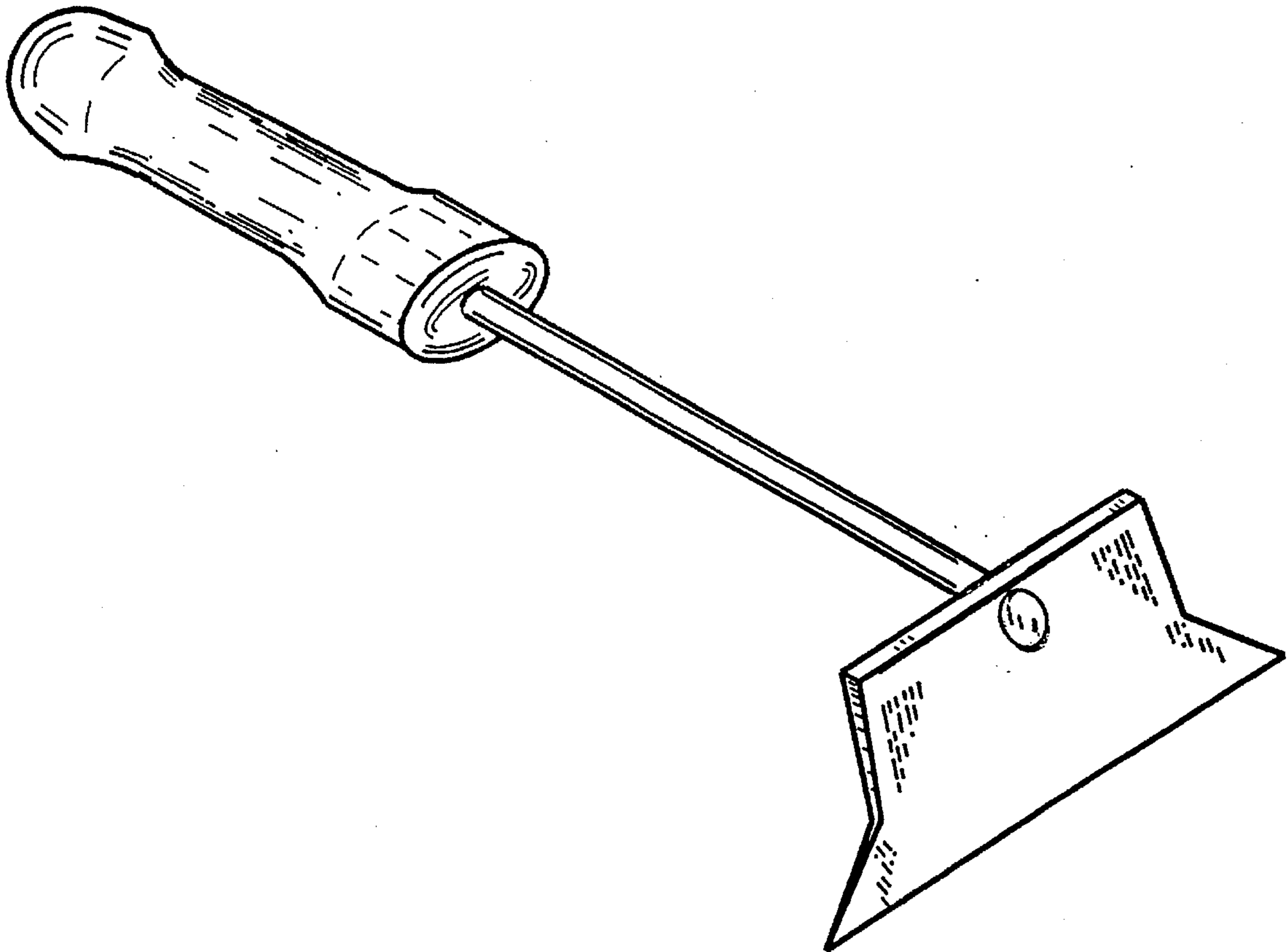
FIG.1 is a front and side perspective view of a hand-held digging implement showing my new design;

FIG.2 is a front view thereof;

FIG. 3 is a side view thereof, the unshown opposite side being of mirror-image appearance; and,

FIG. 4 is a top view thereof.

1 Claim, 1 Drawing Sheet



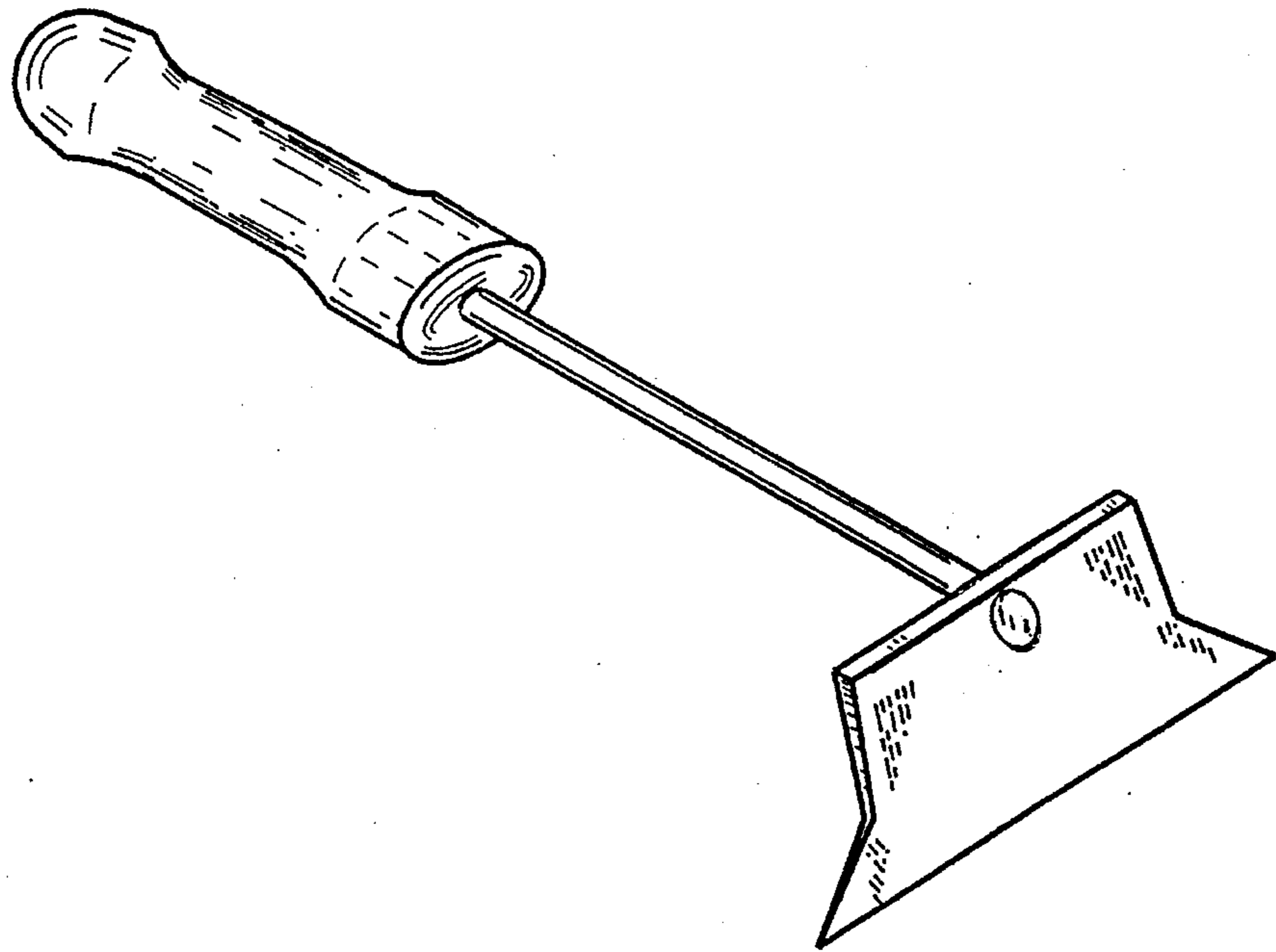


FIG. 1

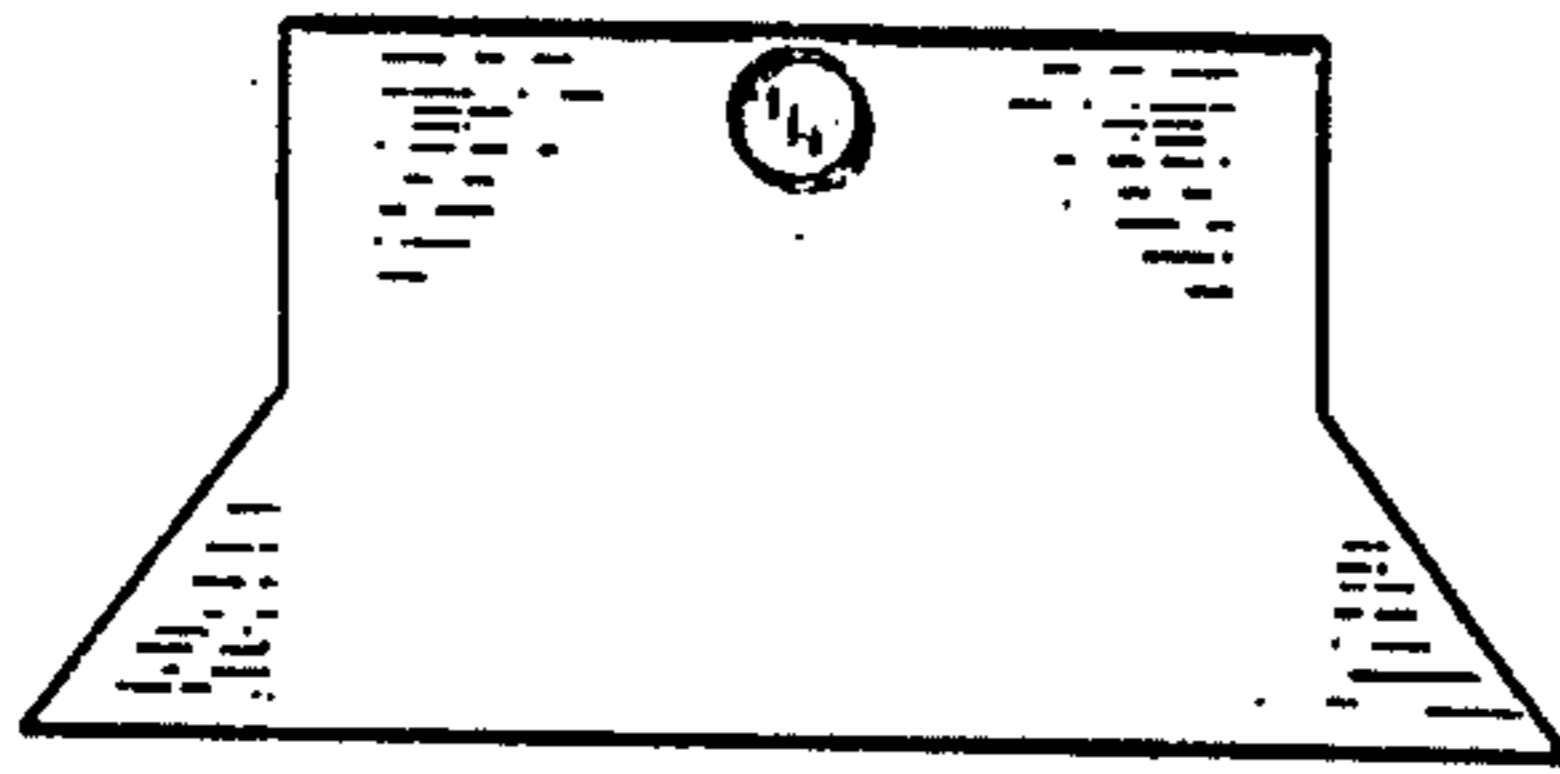


FIG. 2

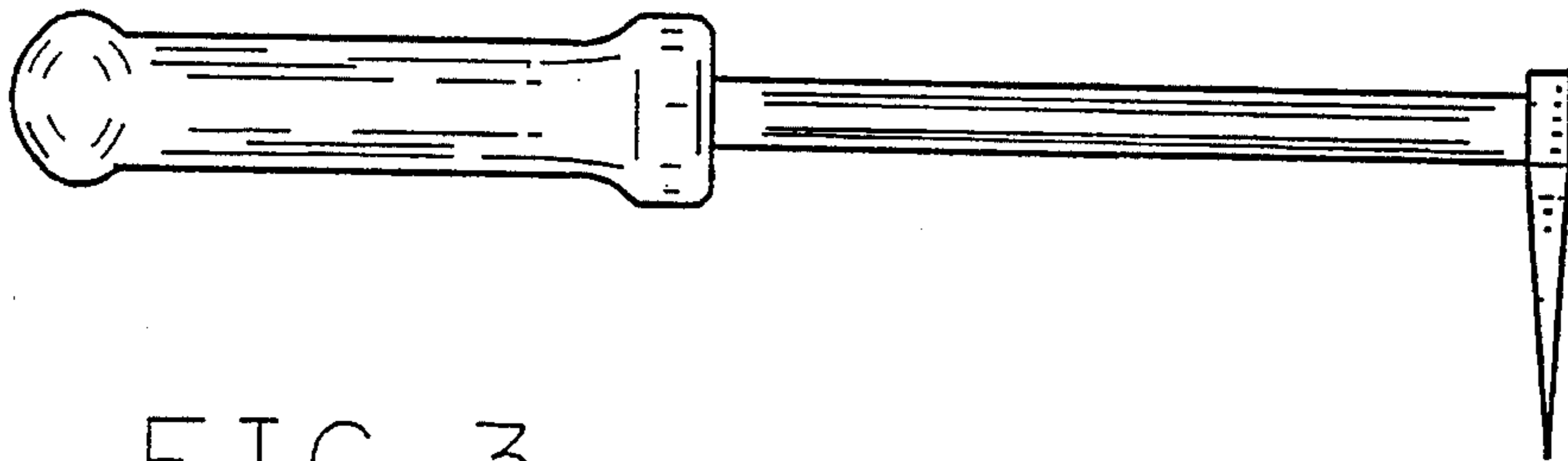


FIG. 3

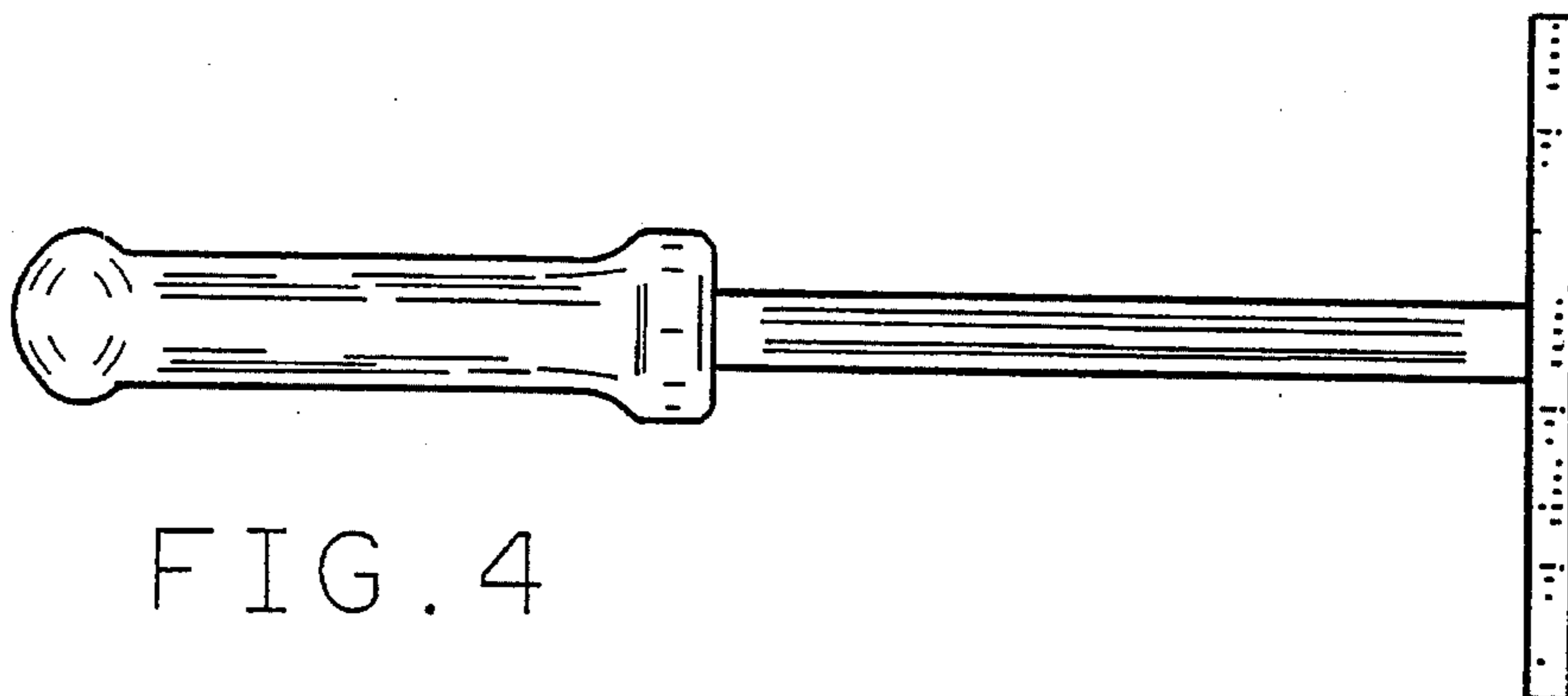


FIG. 4