



US00D376962S

United States Patent [19]

Ludvigsson et al.

[11] Patent Number: **Des. 376,962**

[45] Date of Patent: ****Dec. 31, 1996**

[54] **OVEN-TONGS**

[76] Inventors: **Harry Ludvigsson**, Lantbruksgatan 12, Mölndal, Sweden, S-431 47; **Eleonore Larsson**, Nergårdsvägen 41, Askim, Sweden, S-436 36

[**] Term: **14 Years**

[21] Appl. No.: **33,195**

[22] Filed: **Jan. 6, 1995**

[30] **Foreign Application Priority Data**

Jul. 7, 1994 [SE] Sweden 94-1494
Oct. 19, 1994 [SE] Sweden 94-2075

[52] U.S. Cl. **D7/686**

[58] Field of Search D7/686; D8/14, D8/51; 294/6, 12, 27.1, 28, 31.1

[56] **References Cited**

U.S. PATENT DOCUMENTS

D. 149,817 6/1948 Jackson D7/687

266,381 10/1882 Neideiz 294/31.1
1,431,560 10/1922 Beebe 294/31.1
2,229,859 1/1941 McCoy 294/31.1

Primary Examiner—Terry A. Wallace
Attorney, Agent, or Firm—Lerner, David, Littenberg, Krumholz & Mentlik

[57] **CLAIM**

The ornamental design for an oven tongs, as shown and described.

DESCRIPTION

FIG. 1 is a top, front, right side perspective view of an oven tong showing our new design in an open position; FIG. 2 is a side elevation view thereof, in a closed position; FIG. 3 is a side elevation view thereof, in an open position; FIG. 4 is a top plan view thereof in a closed position; FIG. 5 is a bottom plan view thereof; FIG. 6 is a front elevation view thereof; and, FIG. 7 is a rear elevation view thereof.

1 Claim, 2 Drawing Sheets

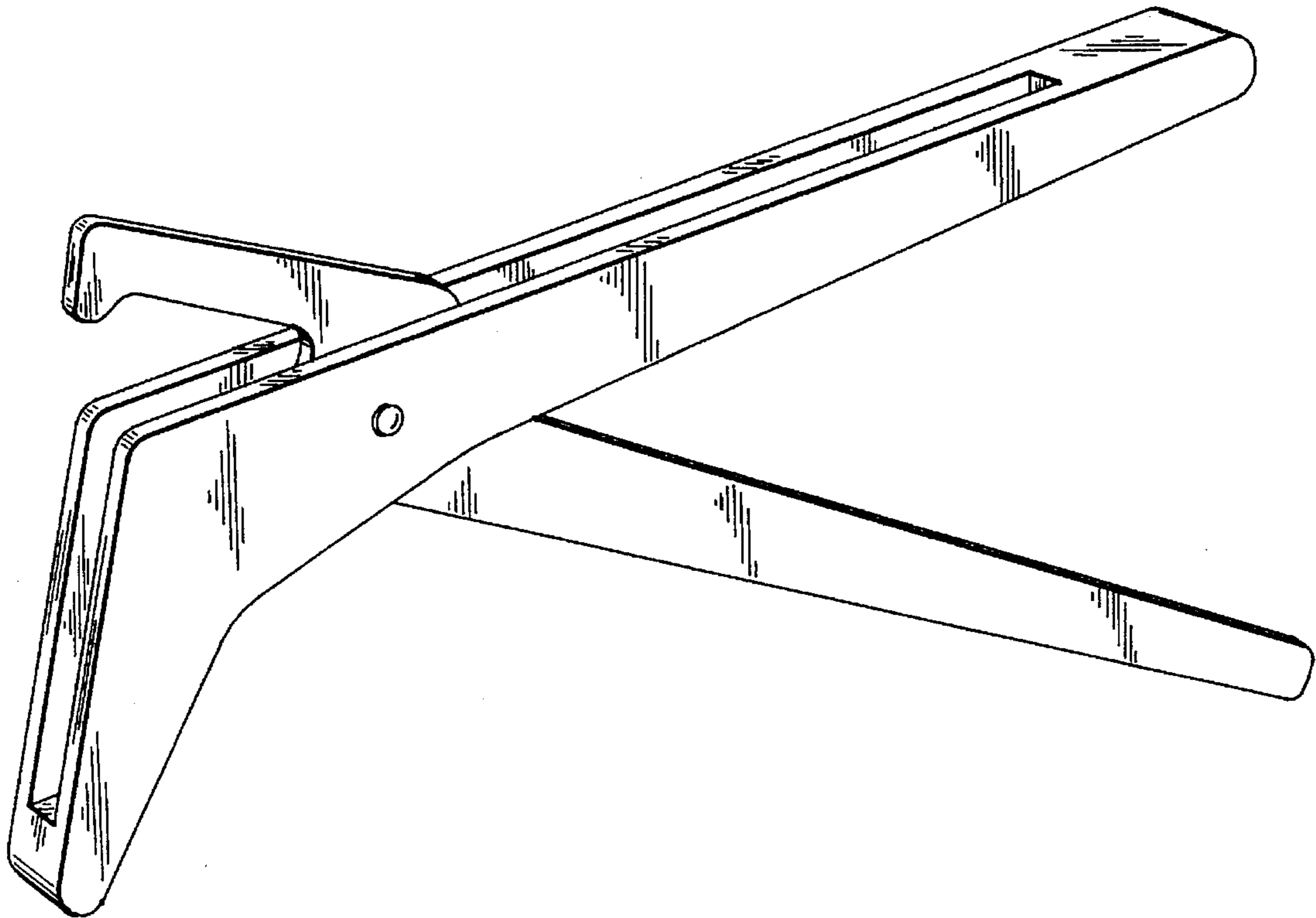


FIG. 1

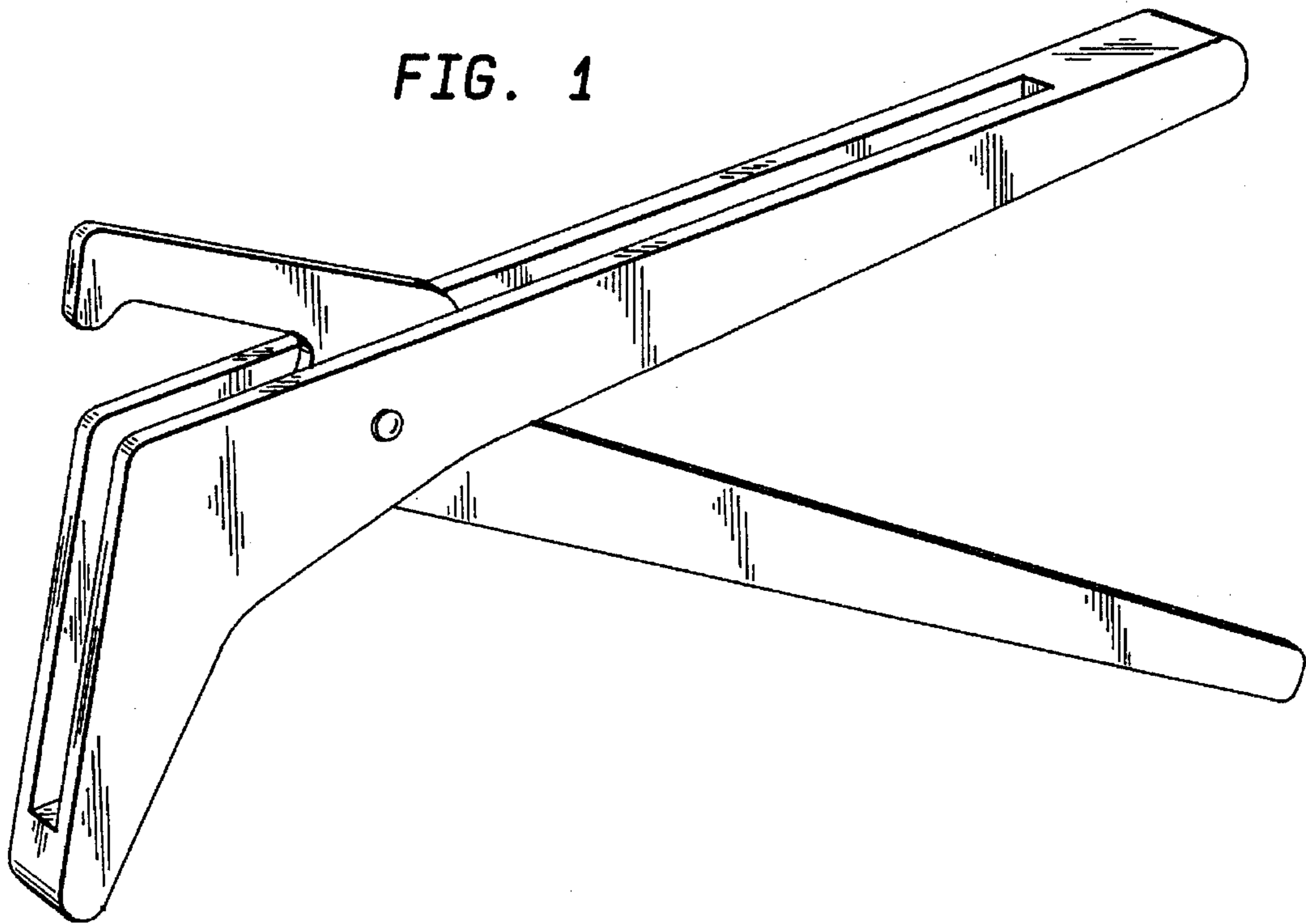


FIG. 2

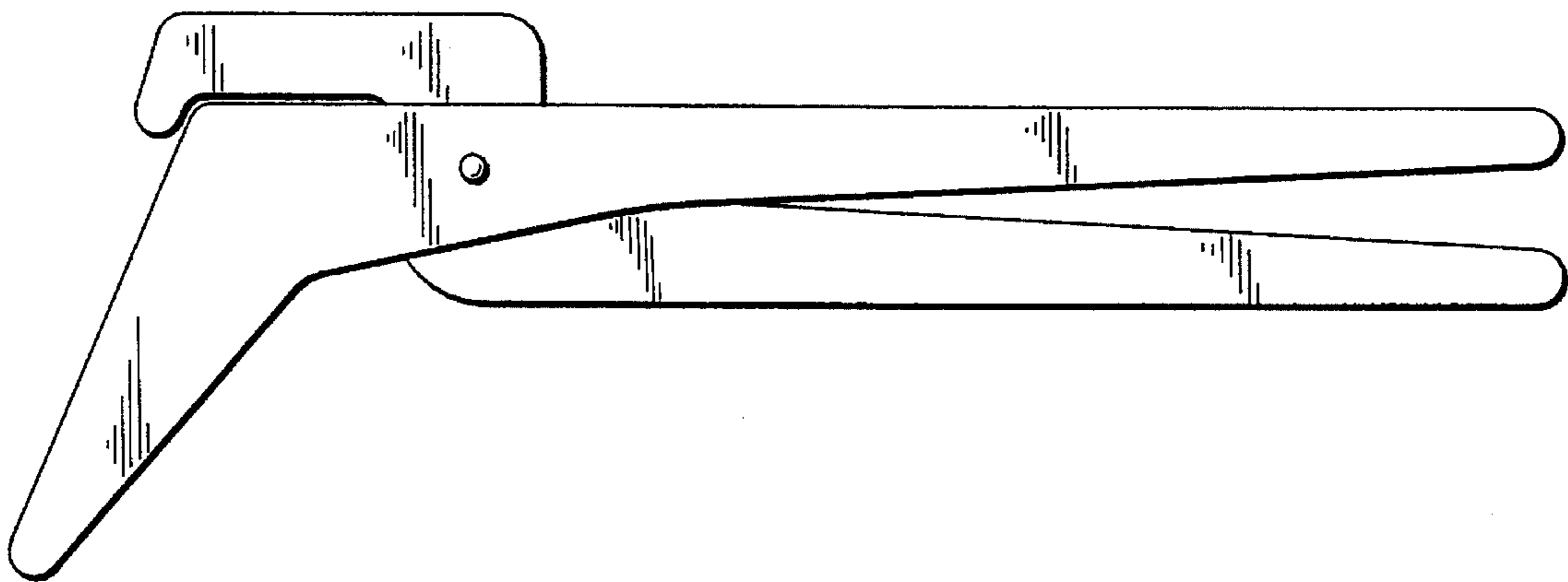


FIG. 3

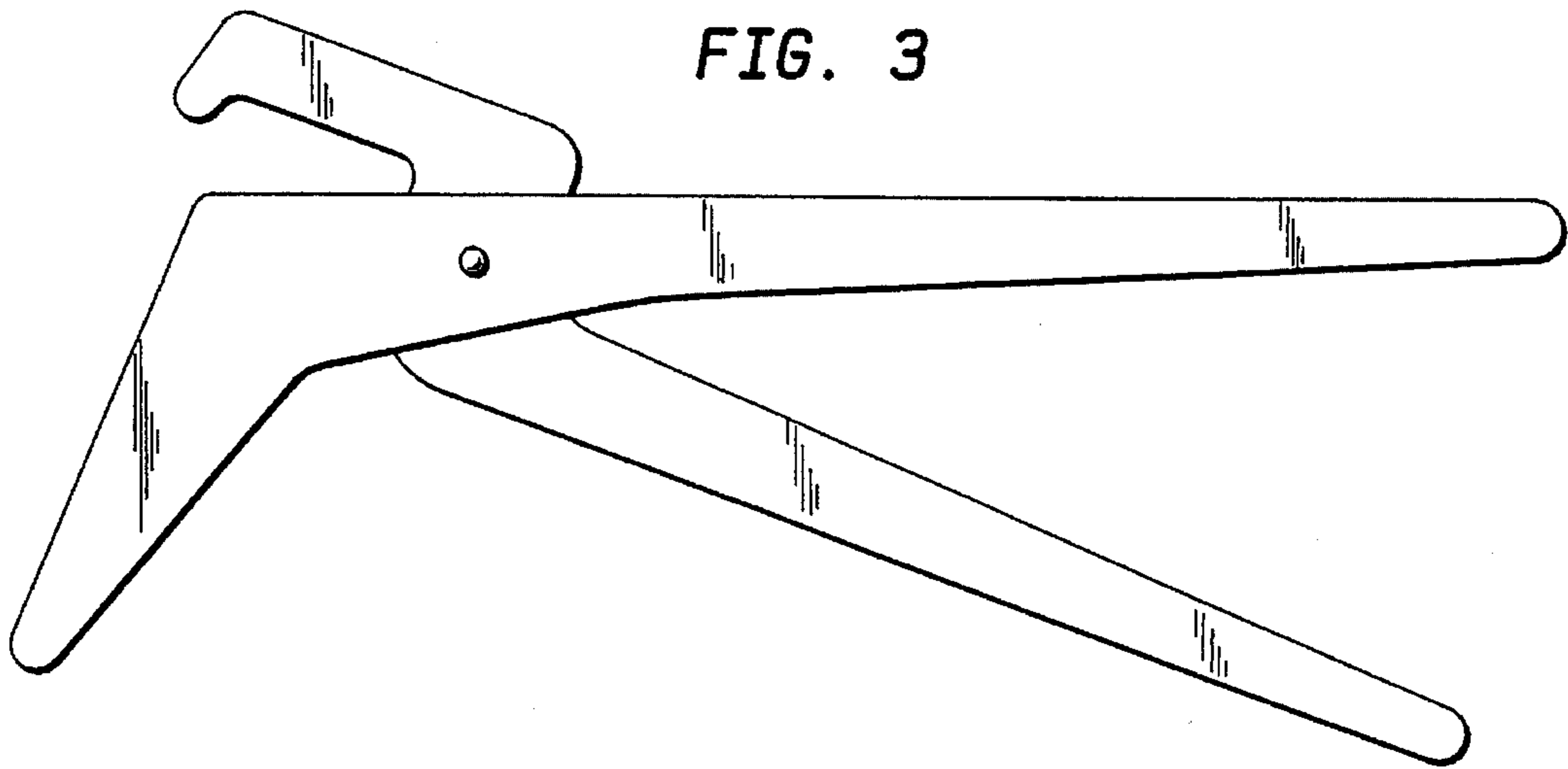


FIG. 4

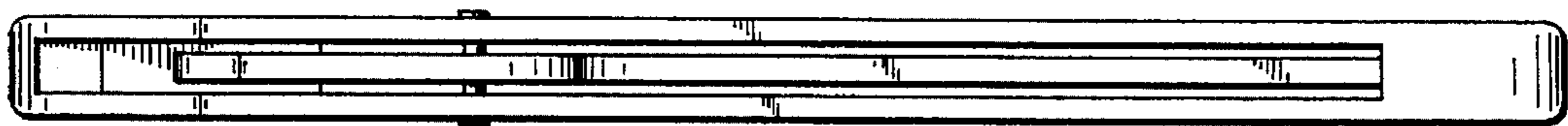


FIG. 5



FIG. 6



FIG. 7

