



US00D376960S

United States Patent [19]

Ferris

[11] Patent Number: **Des. 376,960**

[45] Date of Patent: ****Dec. 31, 1996**

- [54] **SALAD BOWL**
- [75] Inventor: **Ian Ferris**, Finchampstead, England
- [73] Assignee: **Dart Industries Inc.**, Orlando, Fla.
- [**] Term: **14 Years**
- [21] Appl. No.: **43,923**
- [22] Filed: **Sep. 28, 1995**
- [52] U.S. Cl. **D7/629; D7/540; D7/538; D7/542**
- [58] Field of Search **D7/629, 542, 622, D7/614, 602, 601, 543, 598, 587, 566, 316, 540, 613, 628, 566, 555, 567, 571, 539, 538, 564, 544, 531, 556, 506, 578, 590, 605; D9/428, 431, 434, 454, 443, 504; 220/213, 575, 23.8, 556**

2,816,589	12/1957	Tupper	D7/629 X
2,941,660	6/1960	Tupper	D7/629 X
3,044,610	7/1962	Tupper	D7/629 X
3,307,602	3/1967	Boster	D7/629 X
3,957,097	5/1976	Swett	D7/629 X
4,471,880	9/1984	Taylor et al.	.	
5,203,836	4/1993	Brazis et al.	.	

OTHER PUBLICATIONS

Covered Glass Refrigerator Container.
 Covered Container (flat top—bottom middle) G. House-keeping Dec. 1972 p. 140.

Primary Examiner—M. N. Pandozzi
Attorney, Agent, or Firm—John A. Doninger

[57] CLAIM

The ornamental design for a salad bowl, as shown.

DESCRIPTION

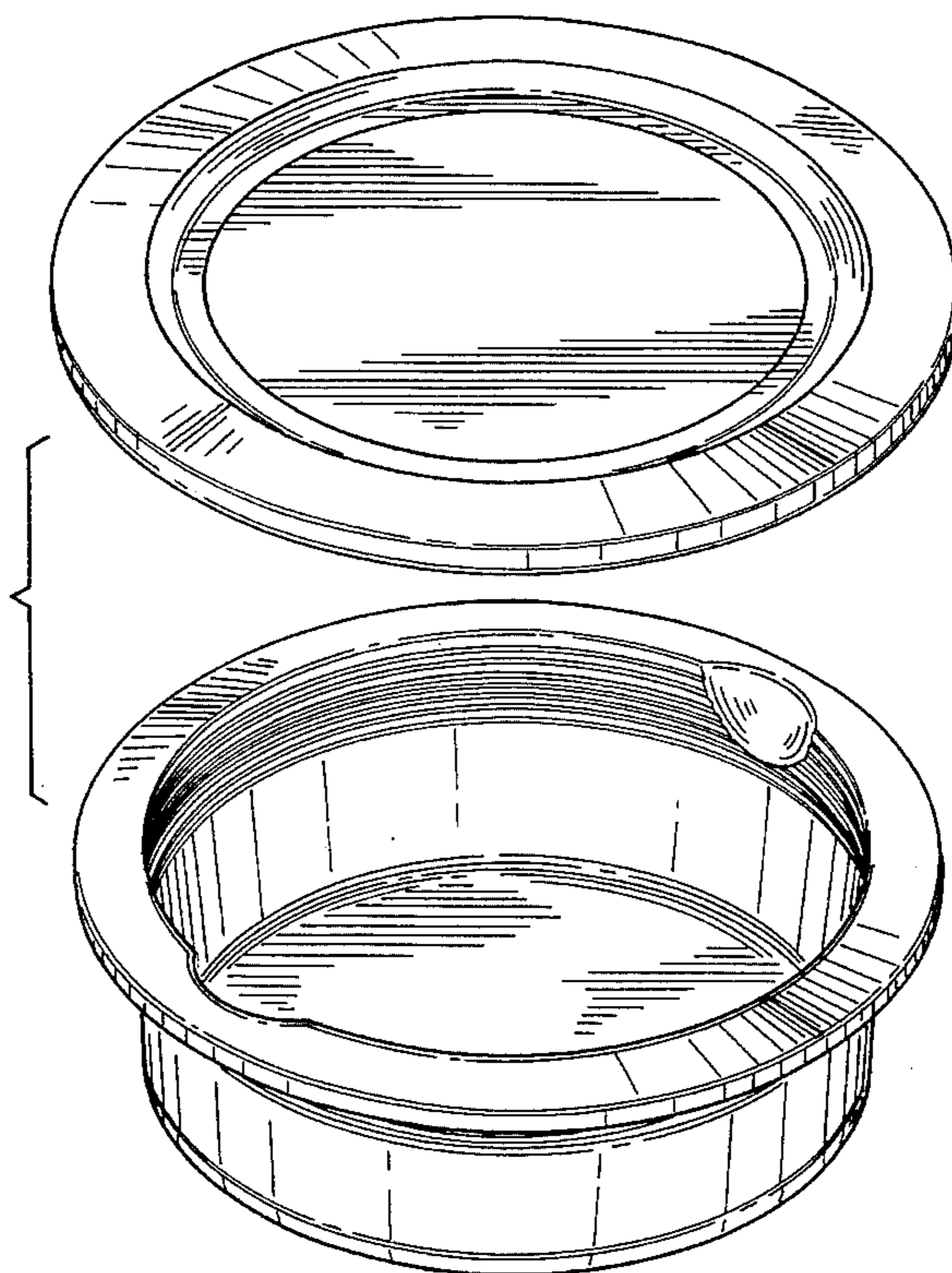
FIG. 1 is a top and front perspective view of the salad bowl showing my new design;
 FIG. 2 is an exploded perspective view thereof;
 FIG. 3 is a top plan view thereof;
 FIG. 4 is a front view thereof;
 FIG. 5 is a bottom plan view thereof;
 FIG. 6 is a rear view thereof;
 FIG. 7 is a left side elevation view thereof;
 FIG. 8 is a right side elevation view thereof;
 FIG. 9 is a cross-section view thereof on line 9—9 in FIG. 3; and,
 FIG. 10 is a cross-section view thereof on line 10—10 in FIG. 3.

[56] References Cited

U.S. PATENT DOCUMENTS

D. 253,331	11/1979	Olschewski .	
D. 284,060	6/1986	Adams D7/538
D. 291,041	7/1987	Grange .	
D. 297,709	9/1988	Willecup D9/428 X
D. 329,782	9/1992	Narsutis D7/629
D. 332,897	2/1993	Bucher et al. D7/629
D. 335,428	5/1993	Picozza et al. D7/627 X
D. 350,068	8/1994	Schwartzburg D9/434
D. 350,843	9/1994	Van Valkenburg et al. D7/614
D. 350,881	9/1994	Van Valkenburg et al. D7/629
D. 352,896	11/1994	Jones D9/428
D. 353,521	12/1994	Booten D7/605
D. 358,302	5/1995	Van Valkenburg et al. D7/629
2,765,832	10/1956	Tupper D7/629 X

1 Claim, 5 Drawing Sheets



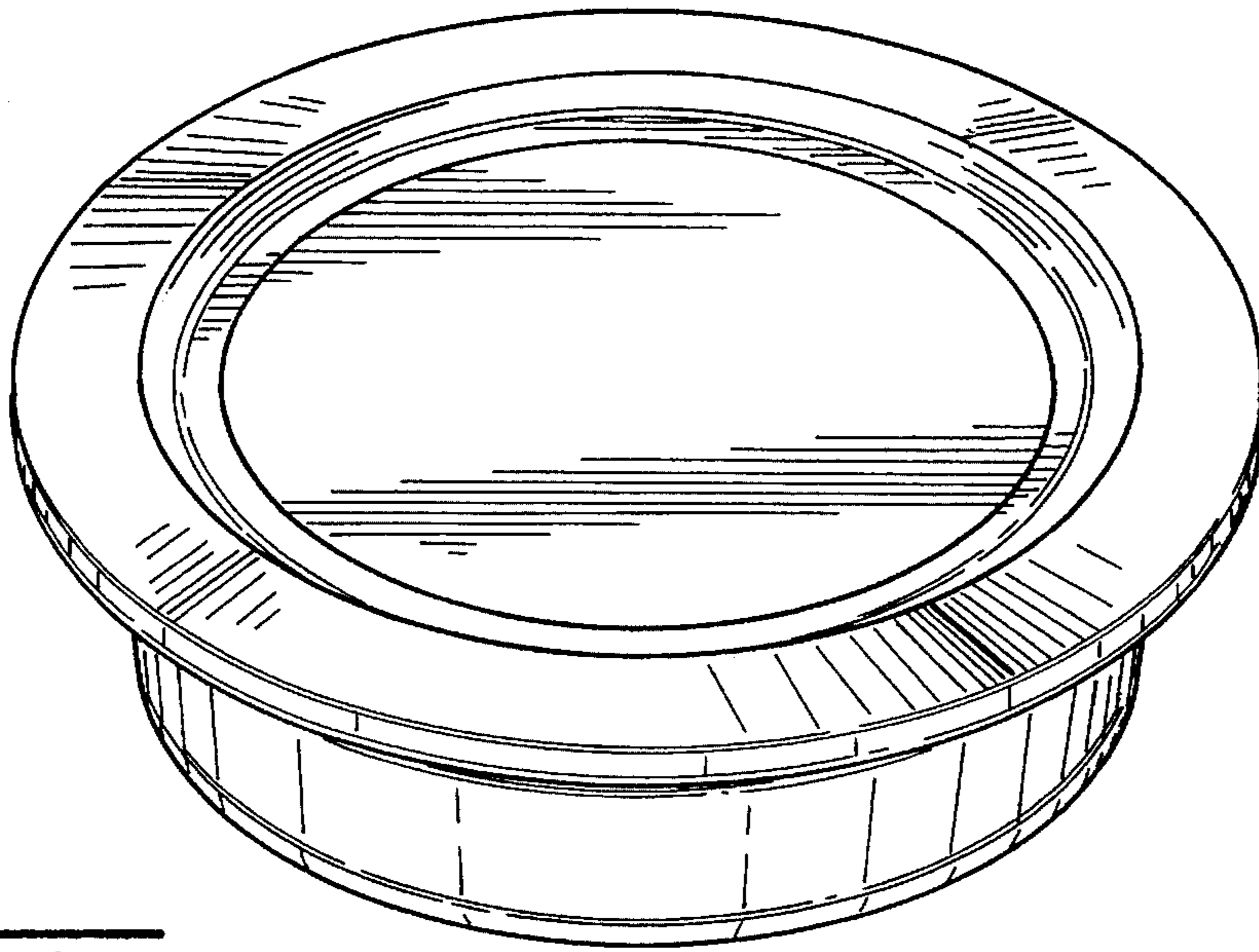


FIG. 1

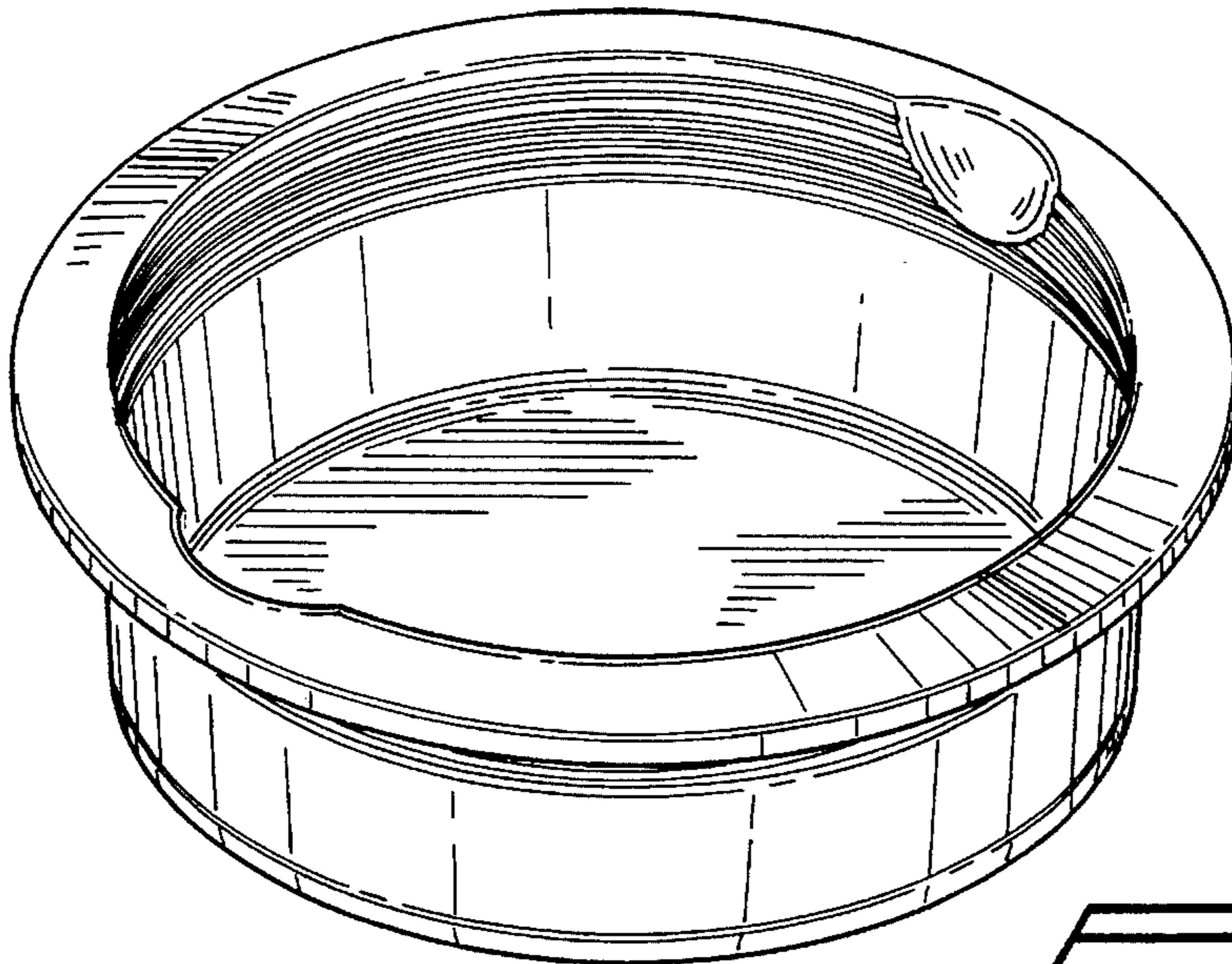
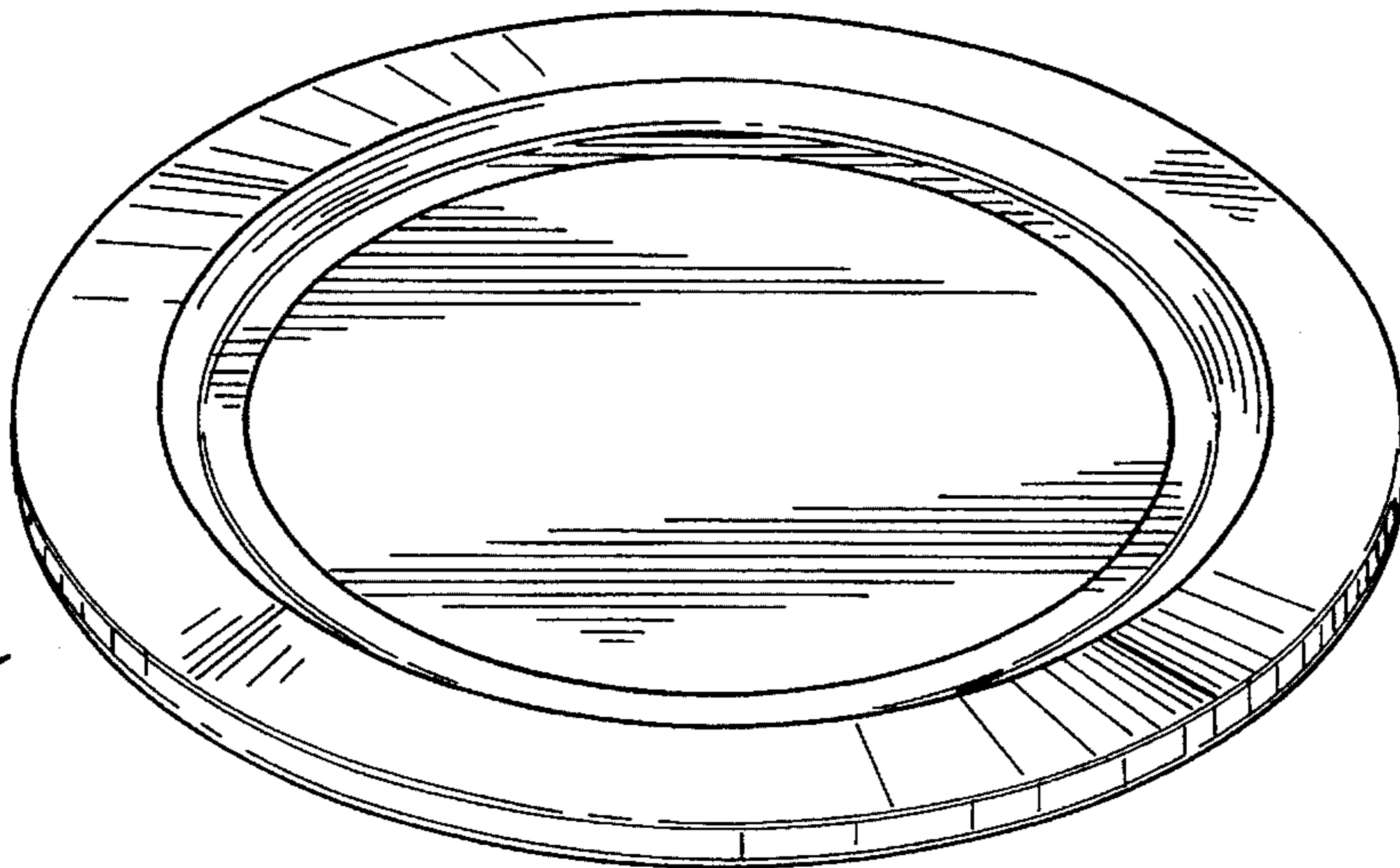


FIG. 2

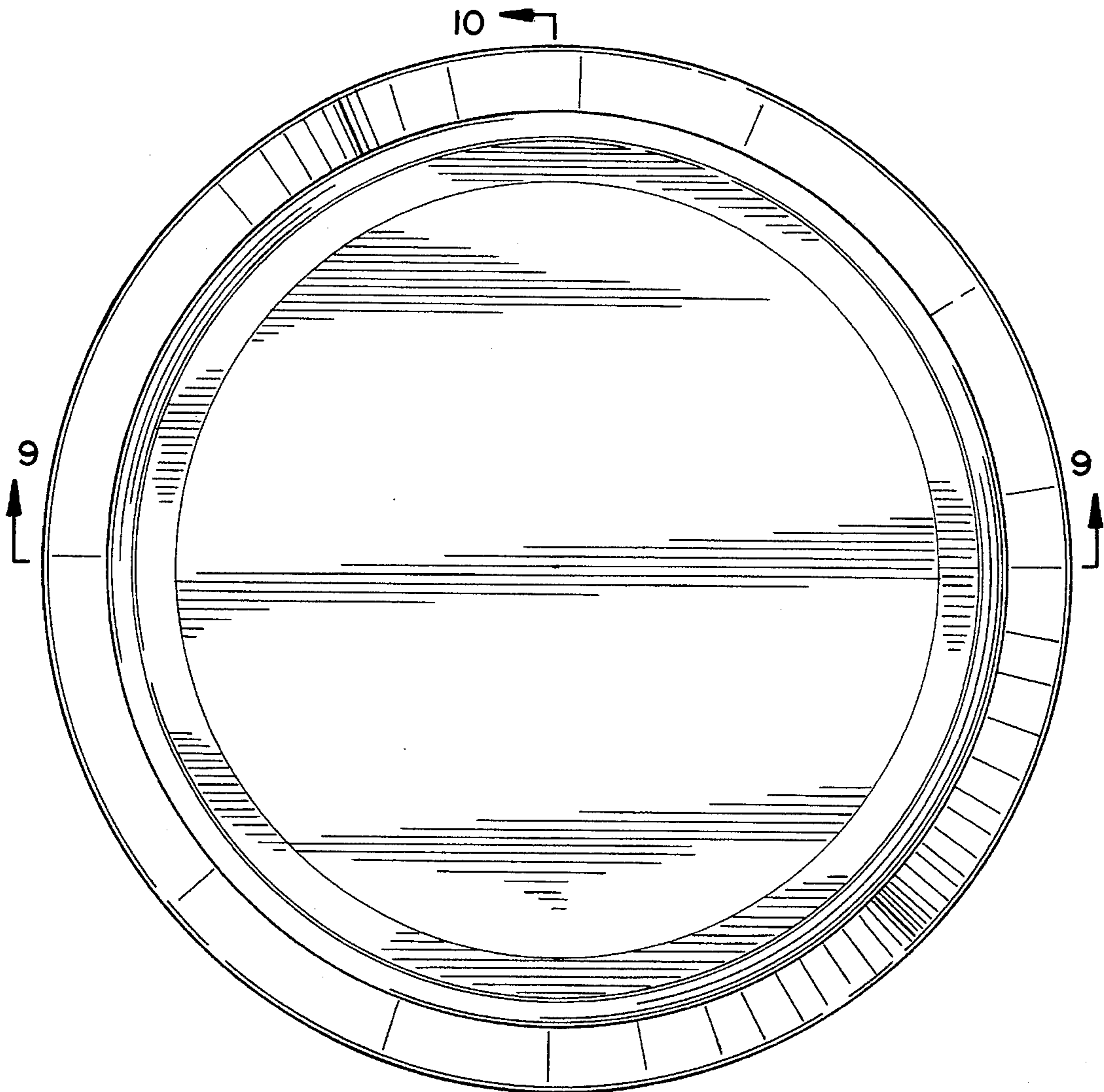


FIG. 3

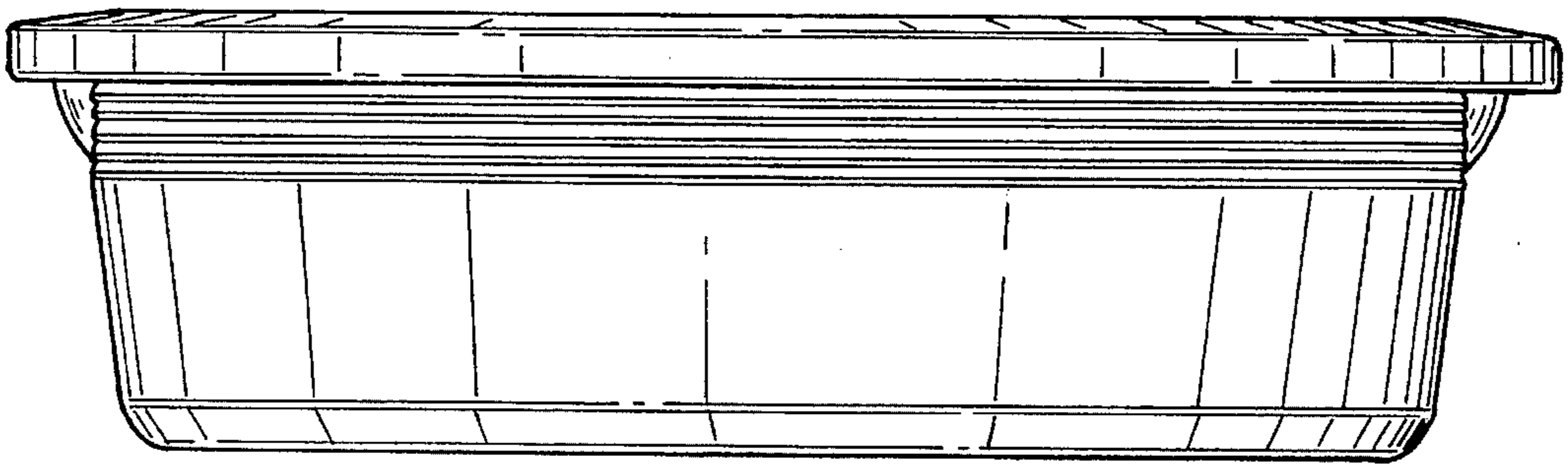


FIG. 4

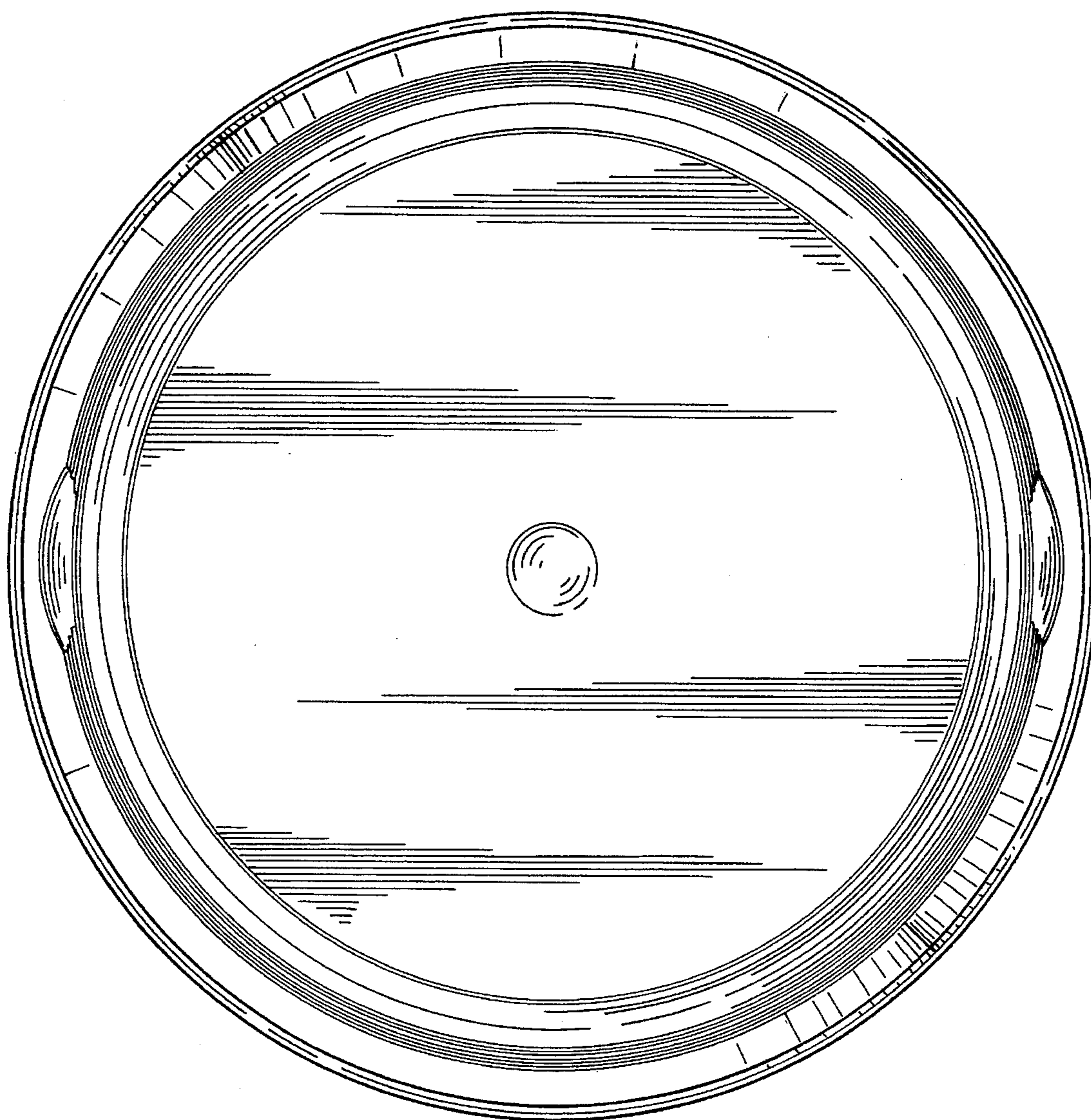


FIG. 5

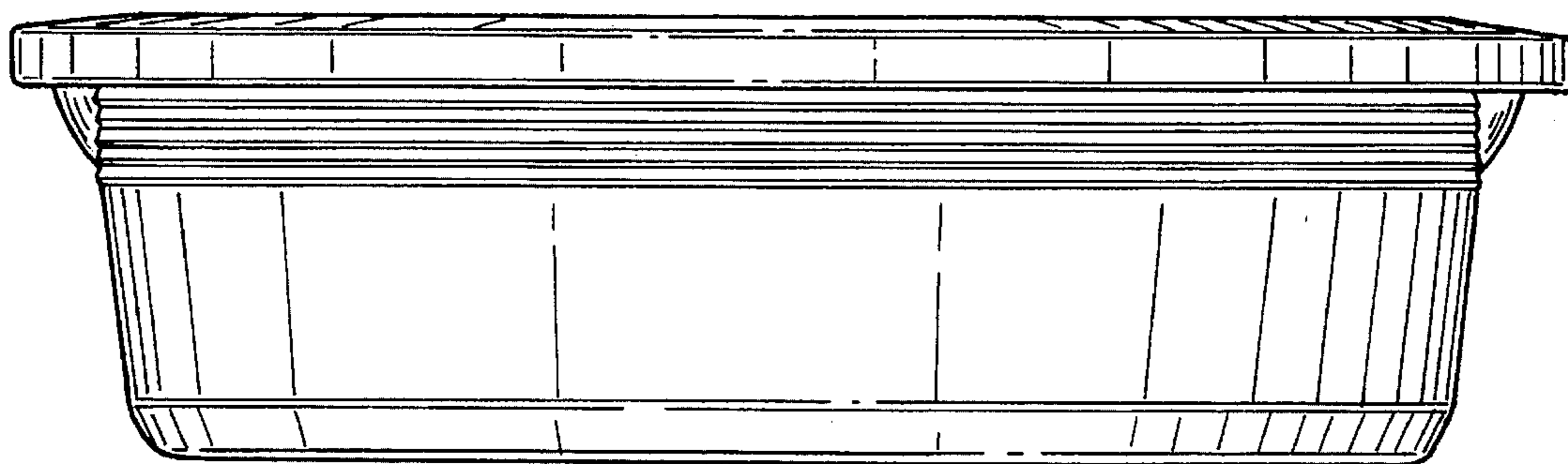


FIG. 6

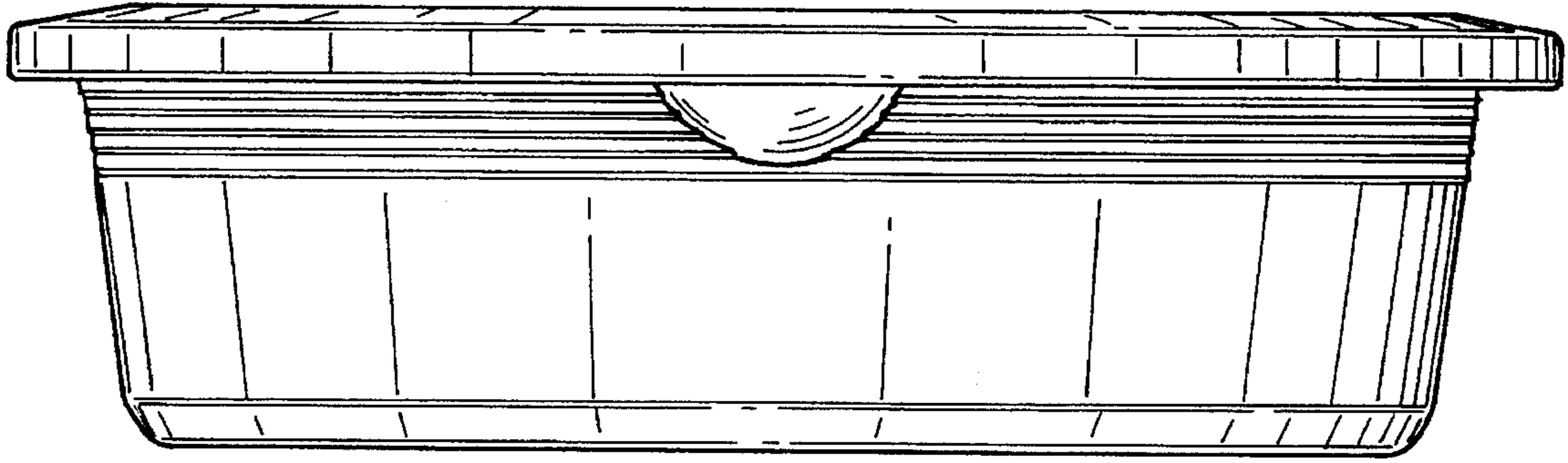


FIG. 7

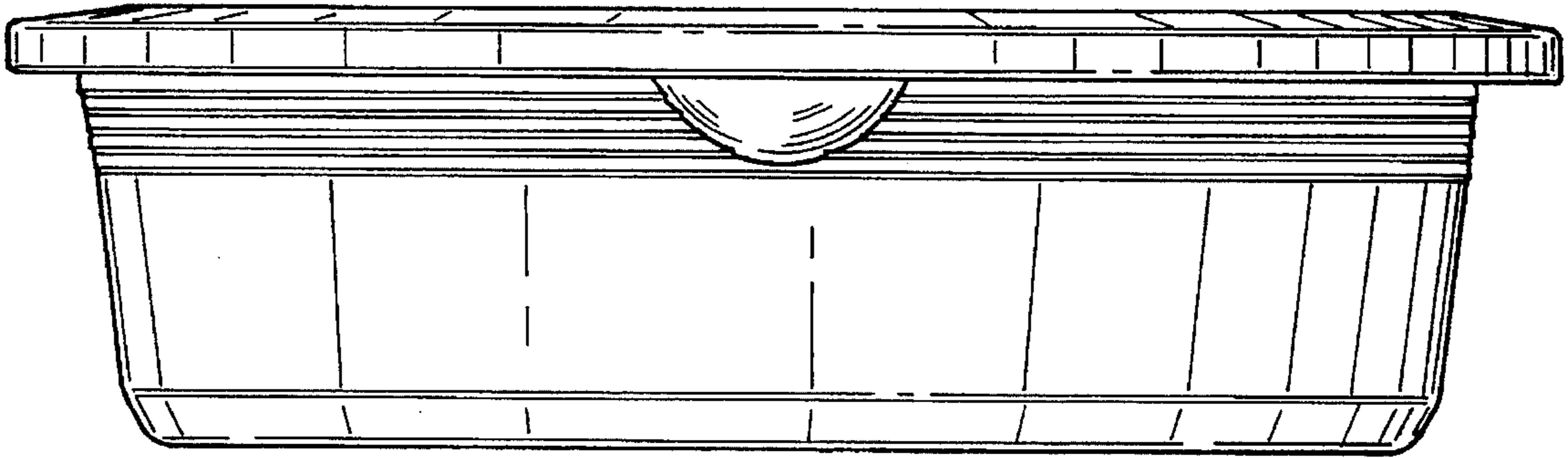


FIG. 8

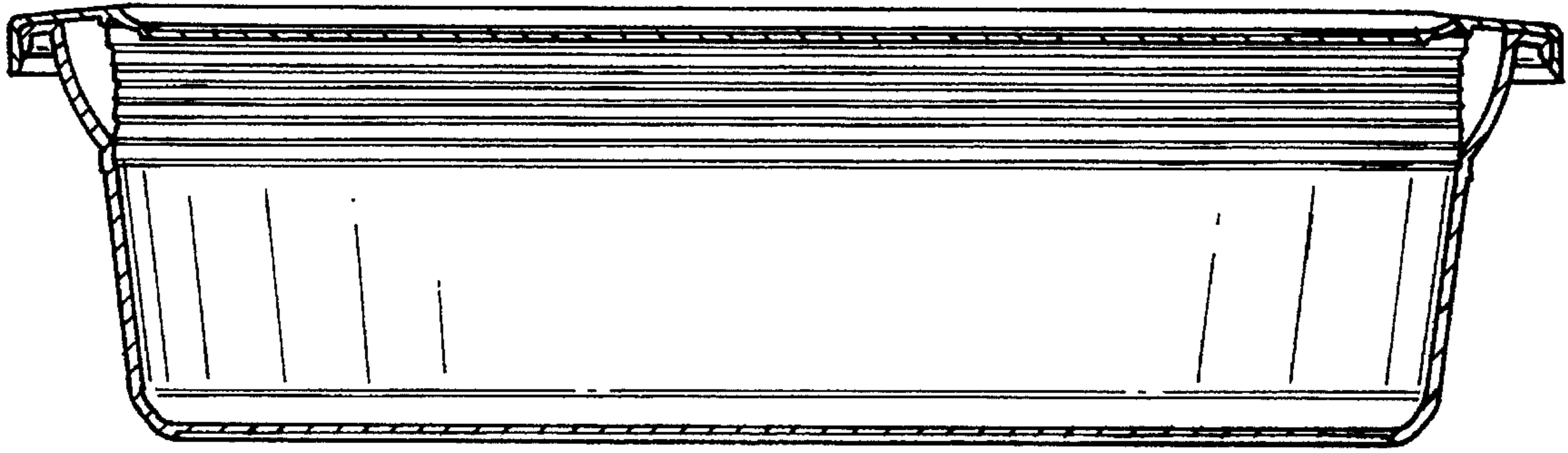


FIG. 9

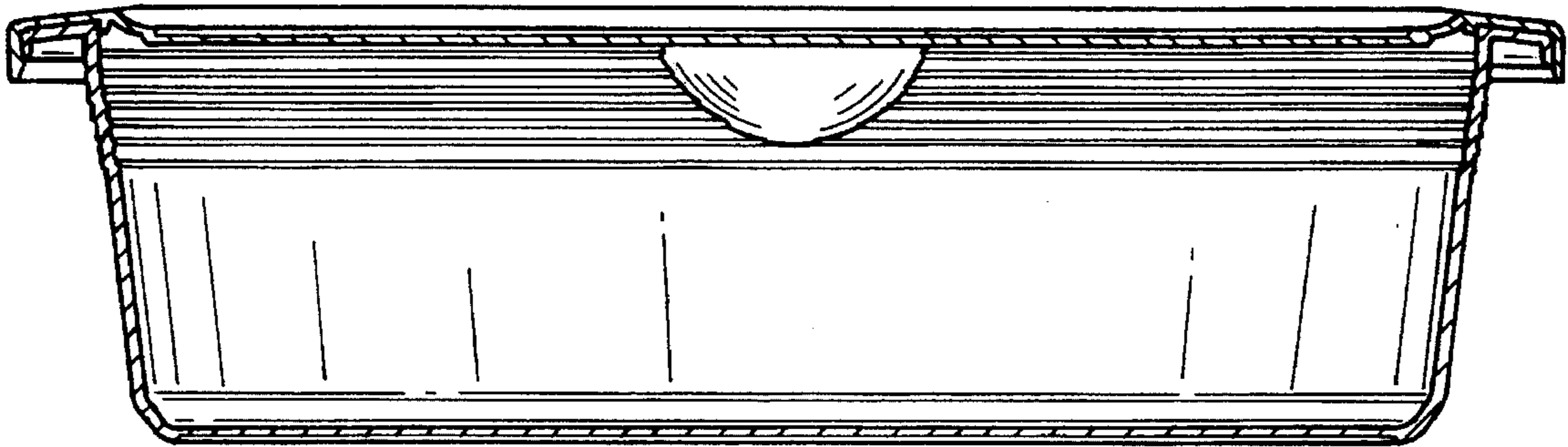


FIG. 10