



US00D376954S

United States Patent [19]

Burns et al.

[11] Patent Number: **Des. 376,954**

[45] Date of Patent: ****Dec. 31, 1996**

- [54] **BOWL**
- [75] Inventors: **Richard H. Burns**, Troy, Ohio; **Allen J. Hutton**, Greenfield, Ind.
- [73] Assignee: **Seco Products Corporation**, Washington, Mo.
- [**] Term: **14 Years**
- [21] Appl. No.: **50,950**
- [22] Filed: **Feb. 26, 1996**
- [52] U.S. Cl. **D7/560; D7/565**
- [58] Field of Search D7/500, 505, 507, D7/701, 538, 540, 541, 542, 543, 545, 546, 547, 549, 550, 552, 553, 554, 555, 557, 566, 587, 601, 602, 590, 592, 536, 387, 354, 584, 586, 585, 560, 561, 562, 565, 531, 603, 610, 619, 620; 220/671, 675, 575, 23.8, 556, 23.83, 630; D9/424

- D. 287,917 1/1987 Pomroy et al. D7/505
- D. 315,658 3/1991 Scherer D7/560
- D. 316,360 4/1991 Thorp .
- D. 369,280 4/1996 Feer et al. D7/602
- 2,438,844 3/1948 Dale 220/671 X
- 3,483,908 12/1969 Donovan 220/671 X
- 4,520,633 6/1985 Hoydic D7/505 X

OTHER PUBLICATIONS

Carved Bowl "Flying Chips" p. 158 Nov.-Dec. 1971.

Primary Examiner—M. N. Pandozzi

Attorney, Agent, or Firm—Polster, Lieder, Woodruff & Lucchesi

[56] References Cited

U.S. PATENT DOCUMENTS

- D. 50,459 3/1917 Andrews D7/562
- D. 164,407 9/1951 Cowan D7/565
- D. 226,837 5/1973 Le Cody D7/565 X
- D. 248,269 6/1978 Schreckengost D7/562

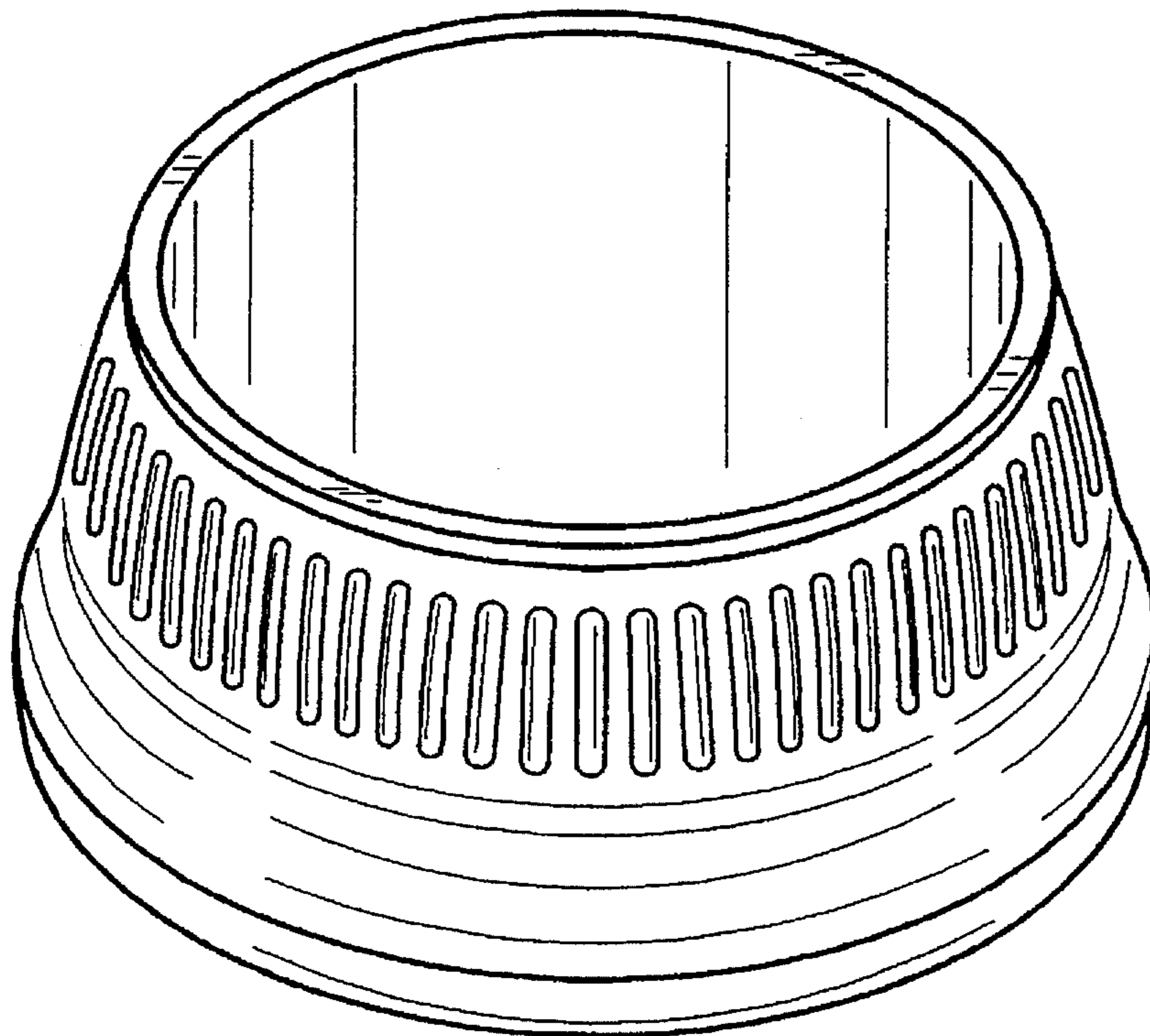
[57] CLAIM

The ornamental design for bowl, as shown and described.

DESCRIPTION

- FIG. 1 is a top perspective view of a bowl showing our new design;
- FIG. 2 is a front elevational view thereof, the rear elevational view being a mirror image;
- FIG. 3 is a left side elevational view thereof, the right elevational view being a mirror image thereof;
- FIG. 4 is a top plan view thereof; and,
- FIG. 5 is a bottom plan view thereof.

1 Claim, 1 Drawing Sheet



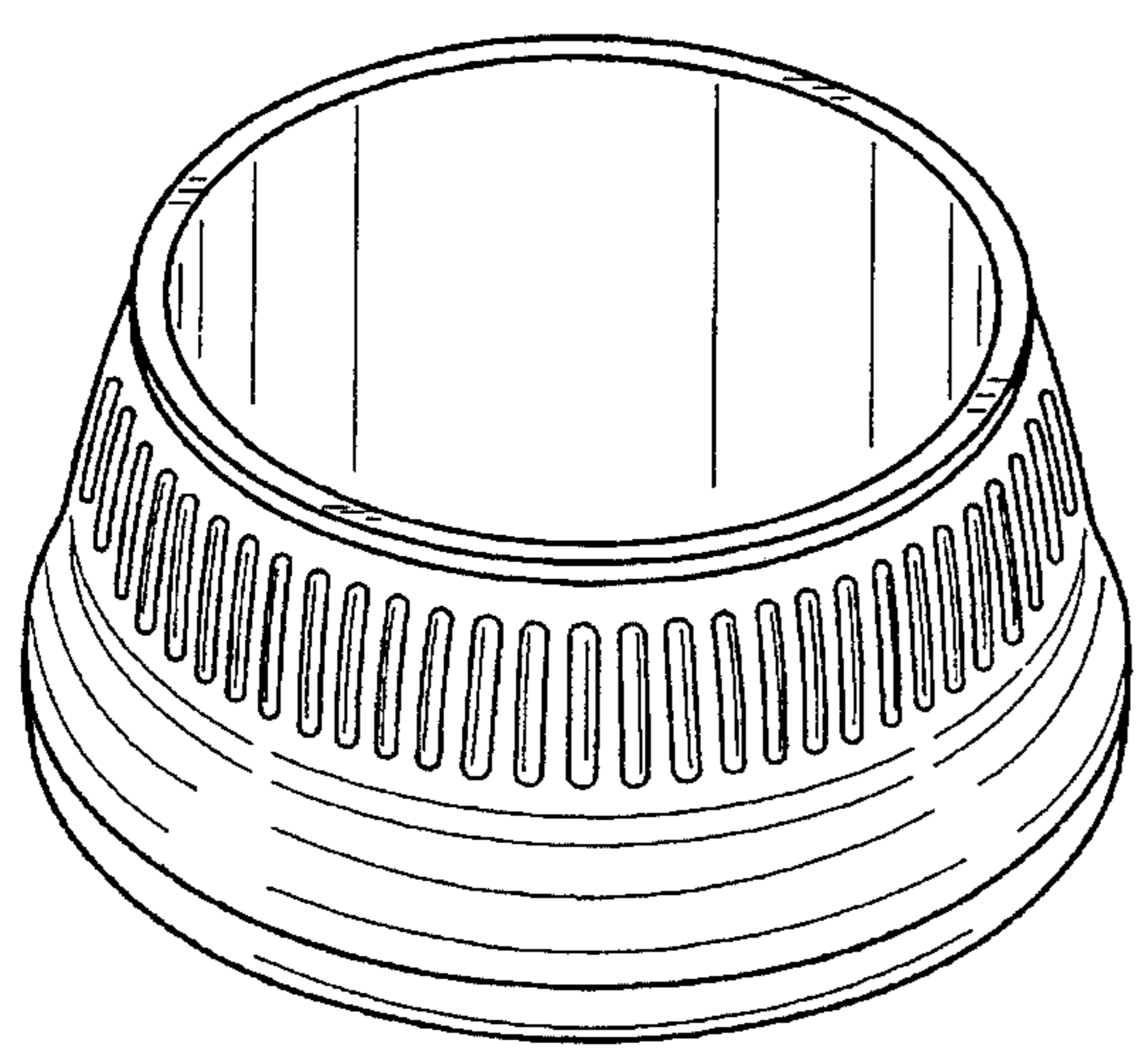


FIG. 1

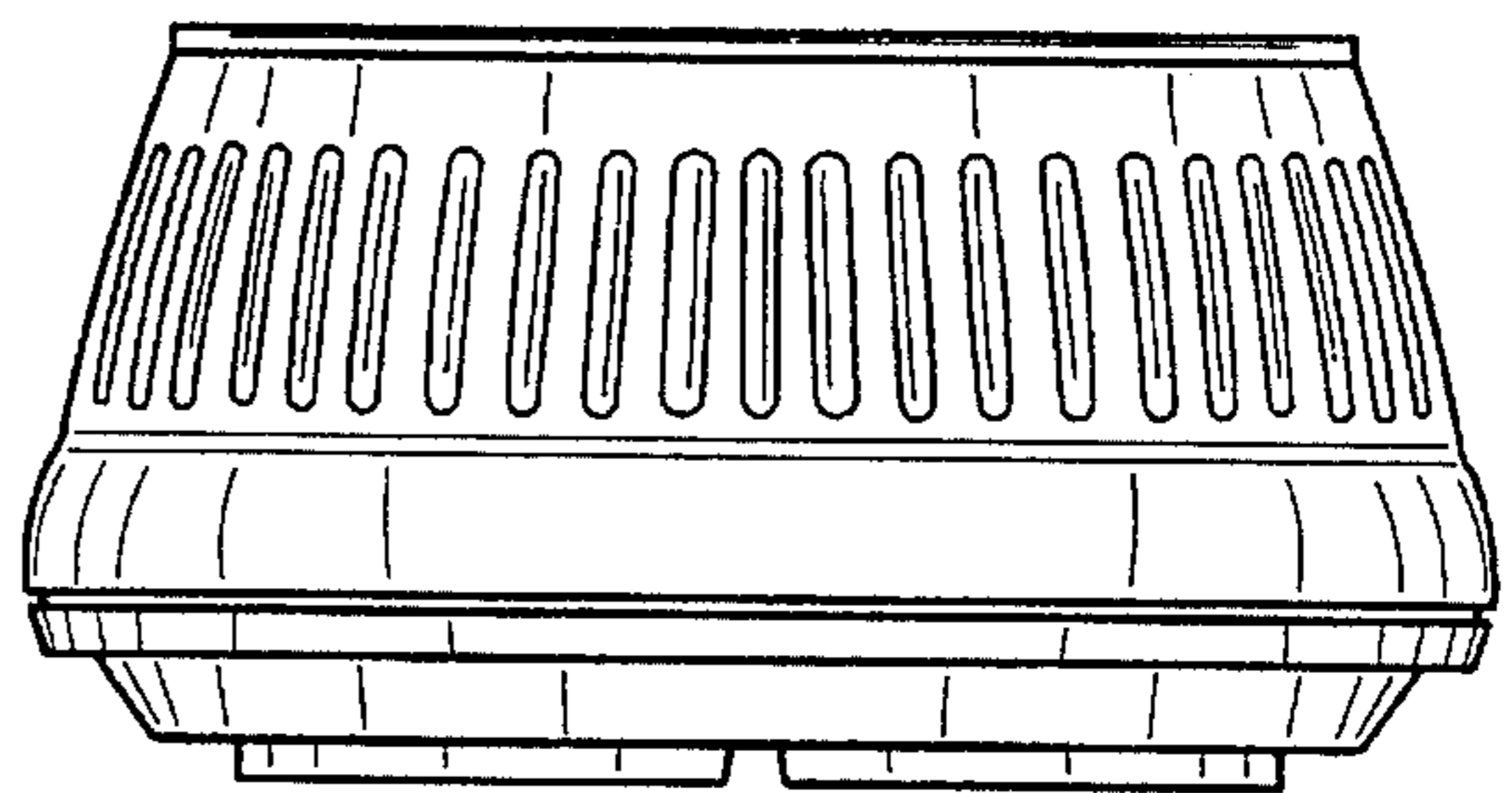


FIG. 2

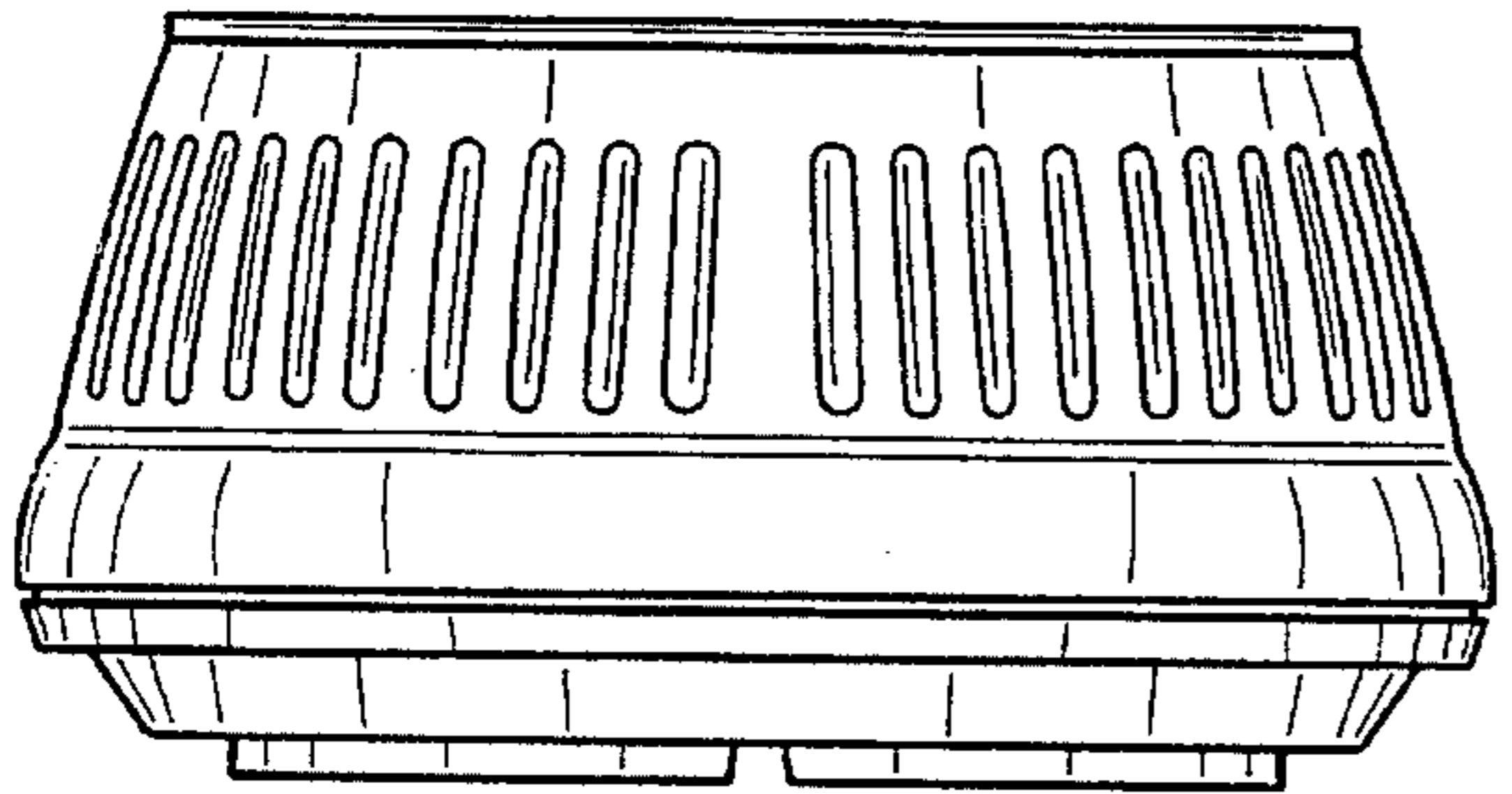


FIG. 3

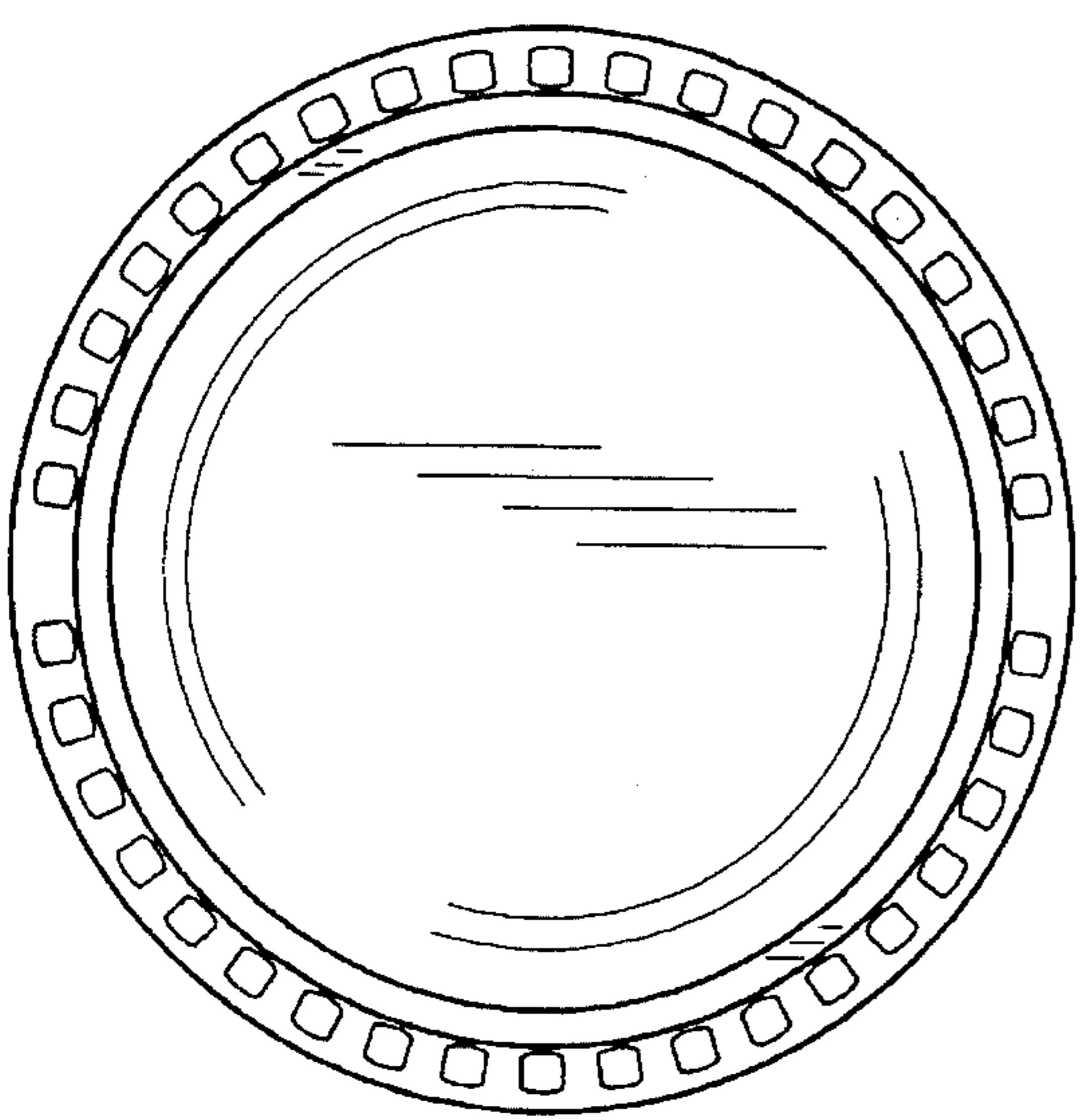


FIG. 4

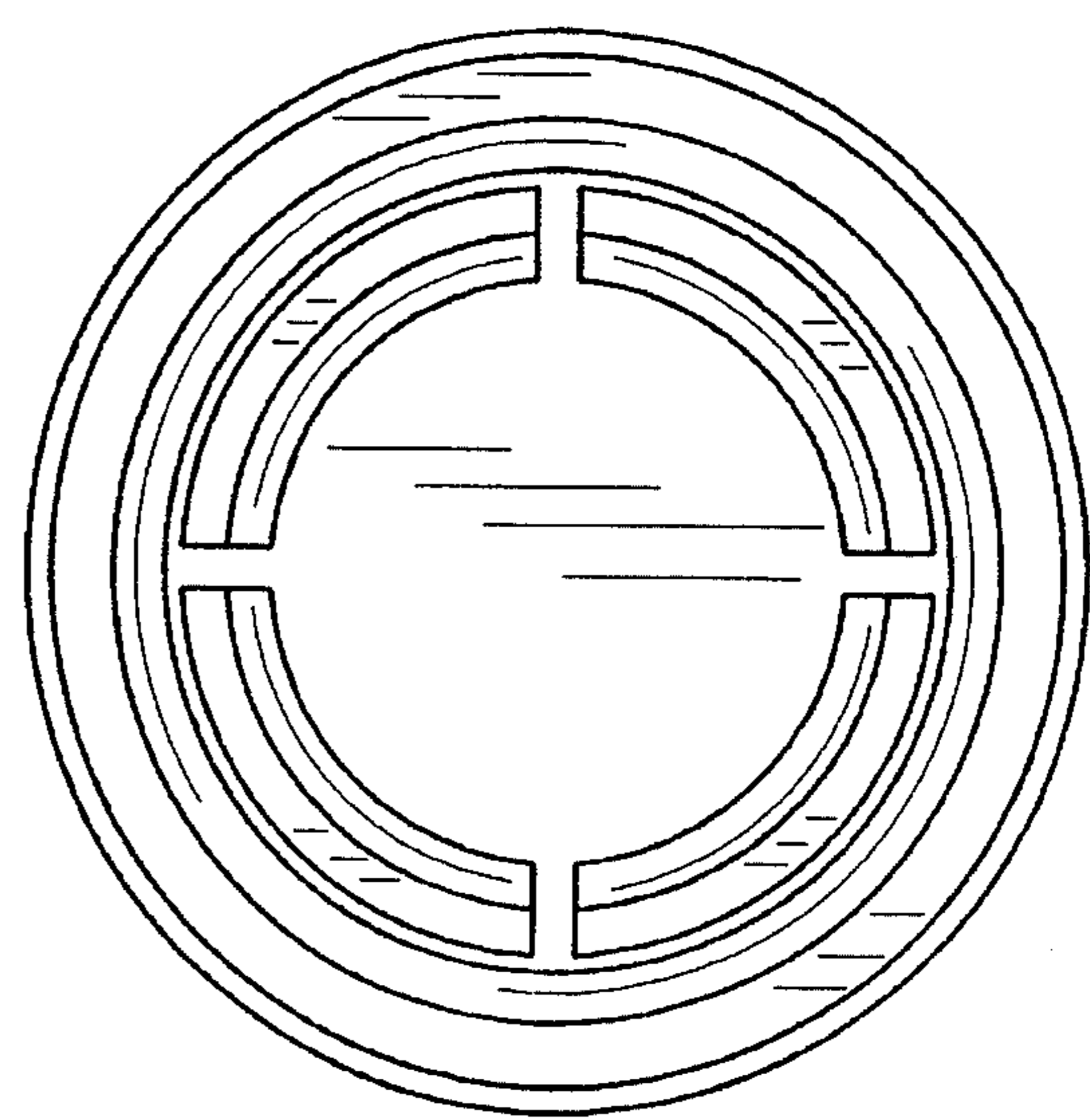


FIG. 5