



US00D376953S

United States Patent [19]

Dunn

[11] Patent Number: **Des. 376,953**

[45] Date of Patent: ****Dec. 31, 1996**

[54] **DISH**

[75] Inventor: **John W. Dunn**, Durham, Conn.

[73] Assignee: **Design Specialties, Inc.**, Wallingford, Conn.

[**] Term: **14 Years**

[21] Appl. No.: **43,724**

[22] Filed: **Sep. 1, 1995**

[52] U.S. Cl. **D7/349; D7/553; D7/555**

[58] Field of Search **D7/550, 553, 554, D7/555, 556, 549, 543, 545, 546, 548, 547, 359, 360, 698, 601, 602; 206/564, 557; 220/575, 556, 23.8**

[56] **References Cited**

U.S. PATENT DOCUMENTS

D. 195,523	6/1963	Patton, Jr.	D7/555
D. 232,294	8/1974	Christian et al.	D7/555
D. 232,336	8/1974	Davis	D7/549
D. 235,499	6/1975	Day	D7/554

D. 236,692	9/1975	Haase	D7/553
D. 318,207	7/1991	Anderson .	
D. 352,203	11/1994	Campbell et al. .	
D. 365,501	12/1995	Daugherty et al.	D7/550 X

Primary Examiner—M. N. Pandozzi
Attorney, Agent, or Firm—Pepe & Hazard

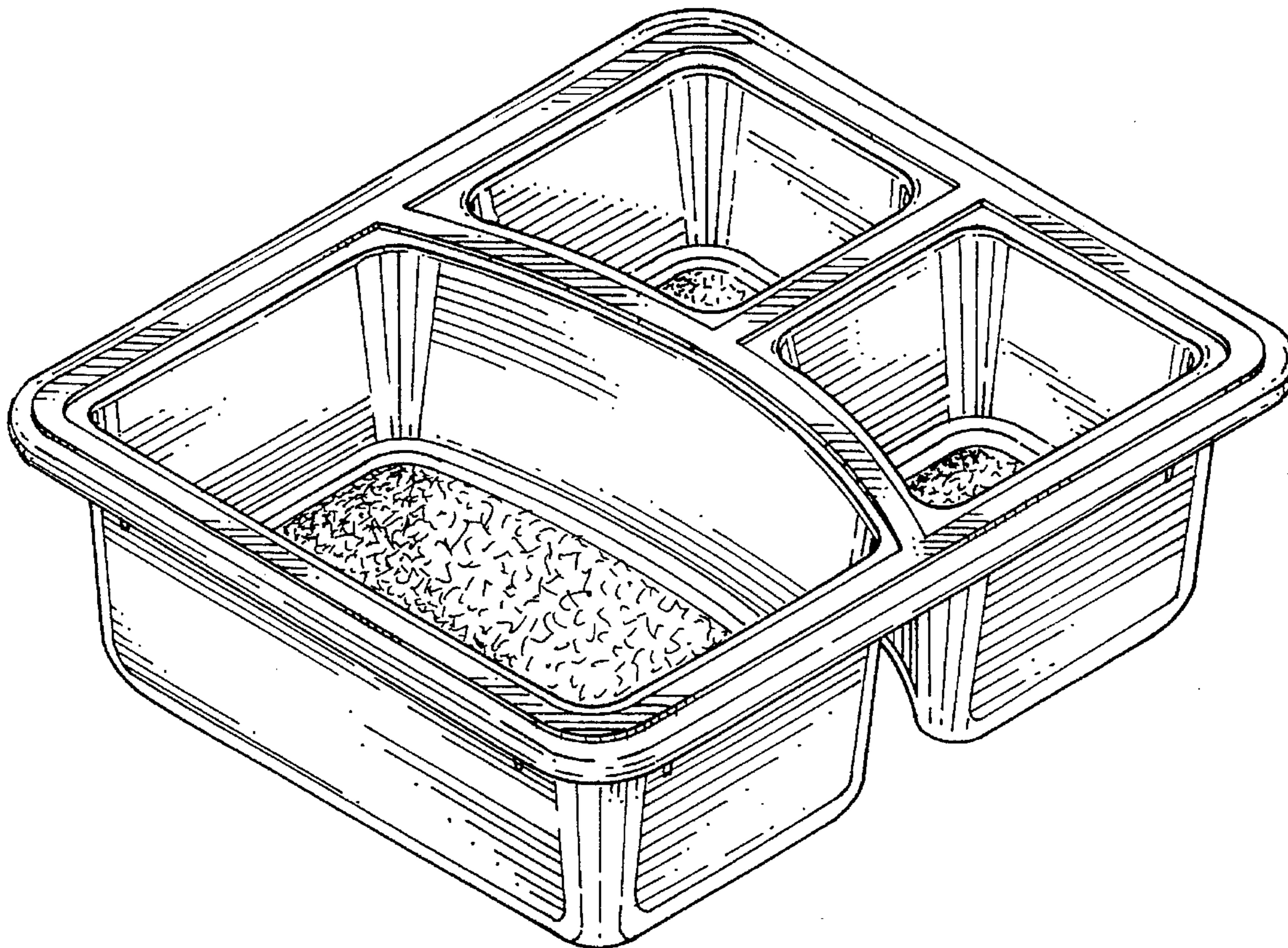
[57] **CLAIM**

The ornamental design for a dish, as shown and described.

DESCRIPTION

FIG. 1 is a perspective view of a dish showing my new design;
FIG. 2 is an elevational view of the side opposite that seen in FIG. 1;
FIG. 3 is a top plan view thereof;
FIG. 4 is a rear elevational view thereof, the front elevation being a mirror image thereof;
FIG. 5 is a bottom view thereof; and,
FIG. 6 is an elevational view of the side seen in FIG. 1 and opposite that seen in FIG. 2.

1 Claim, 3 Drawing Sheets



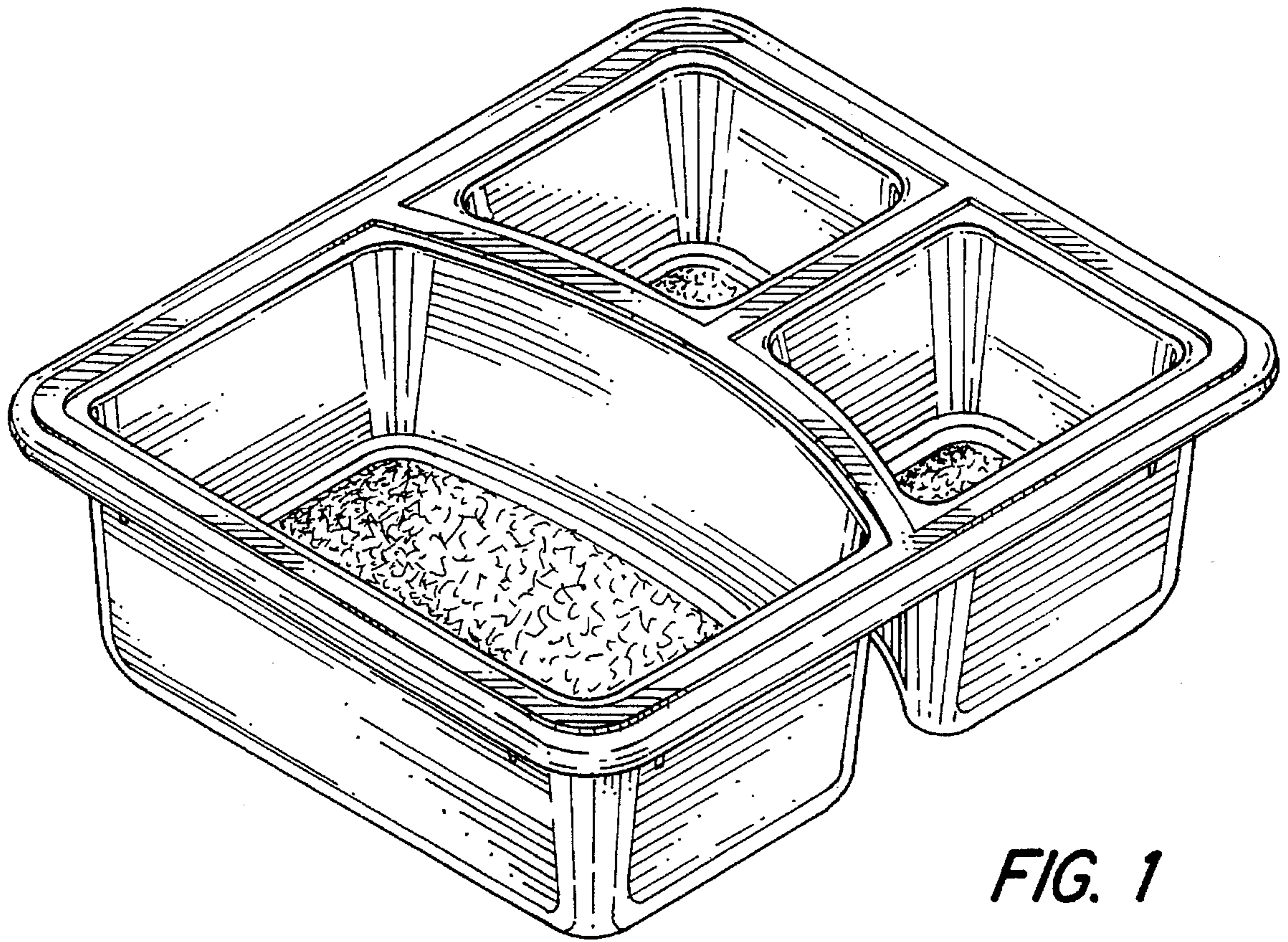


FIG. 1

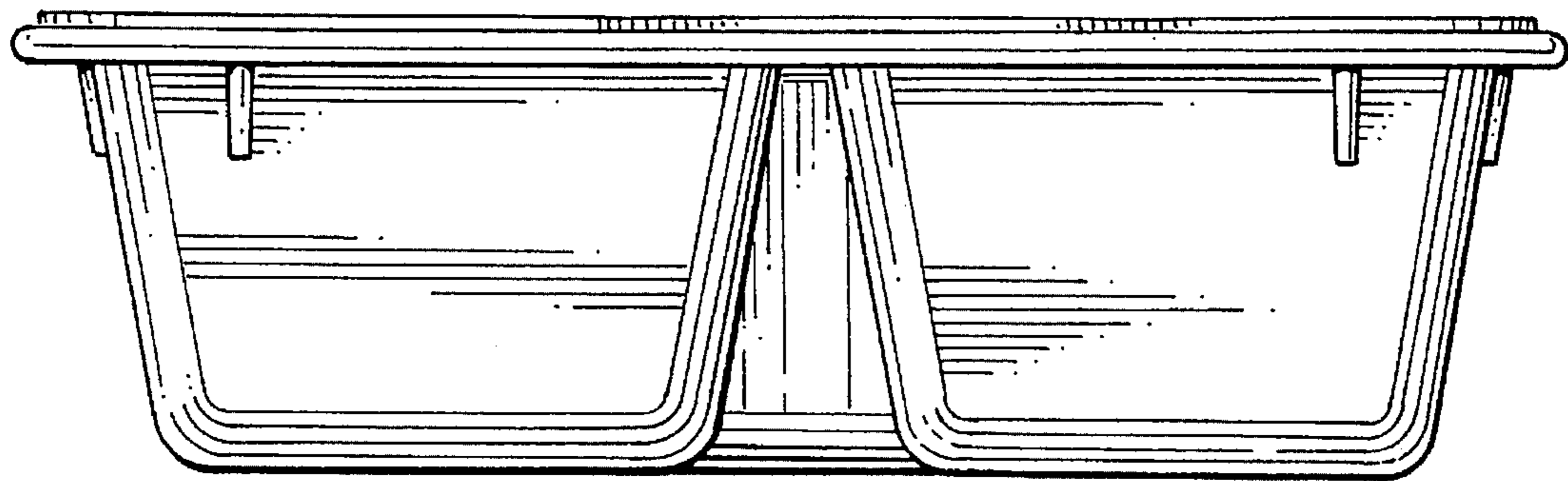


FIG. 2

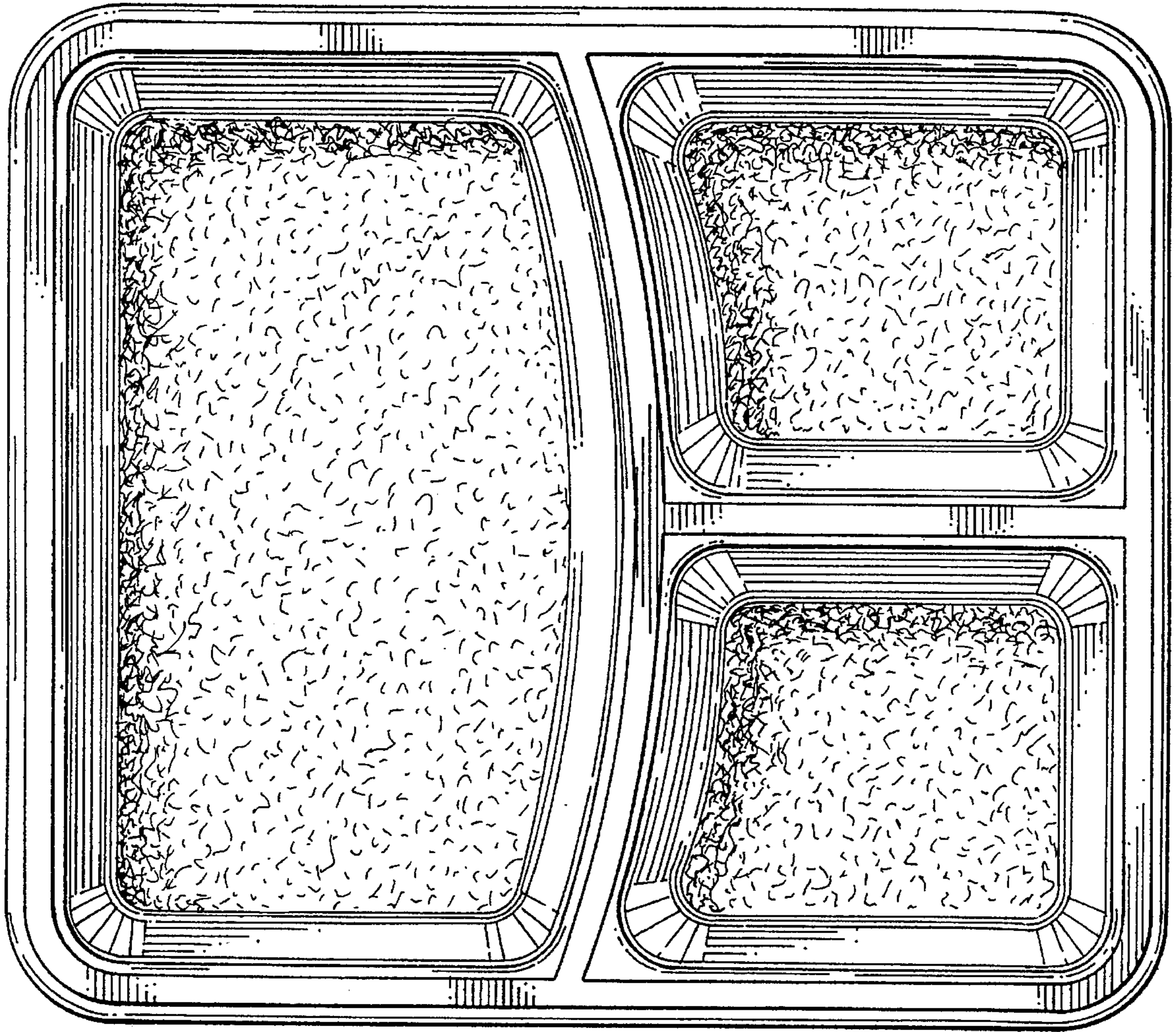


FIG. 3

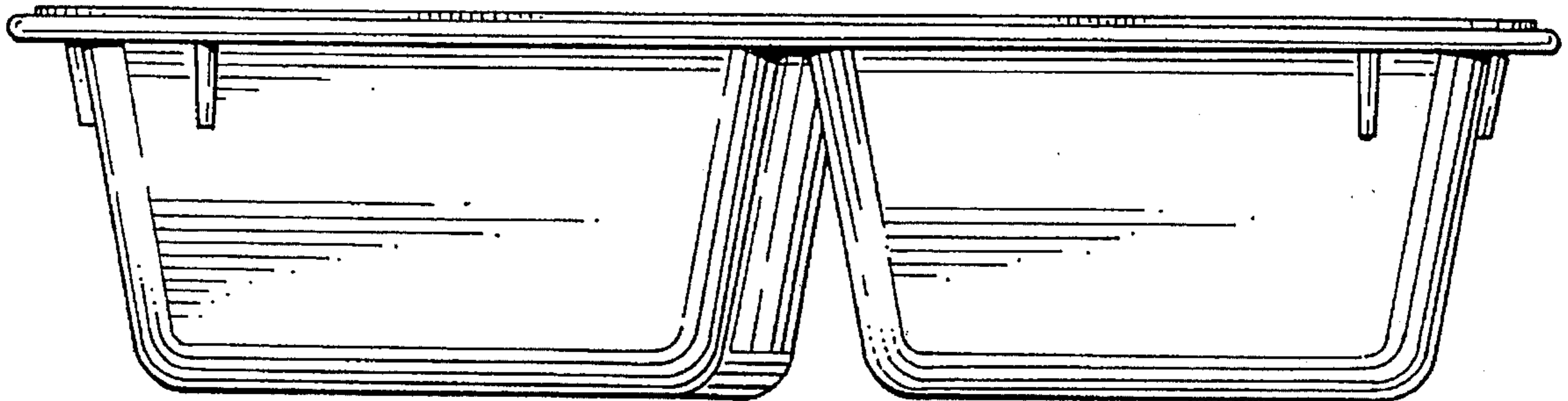


FIG. 4

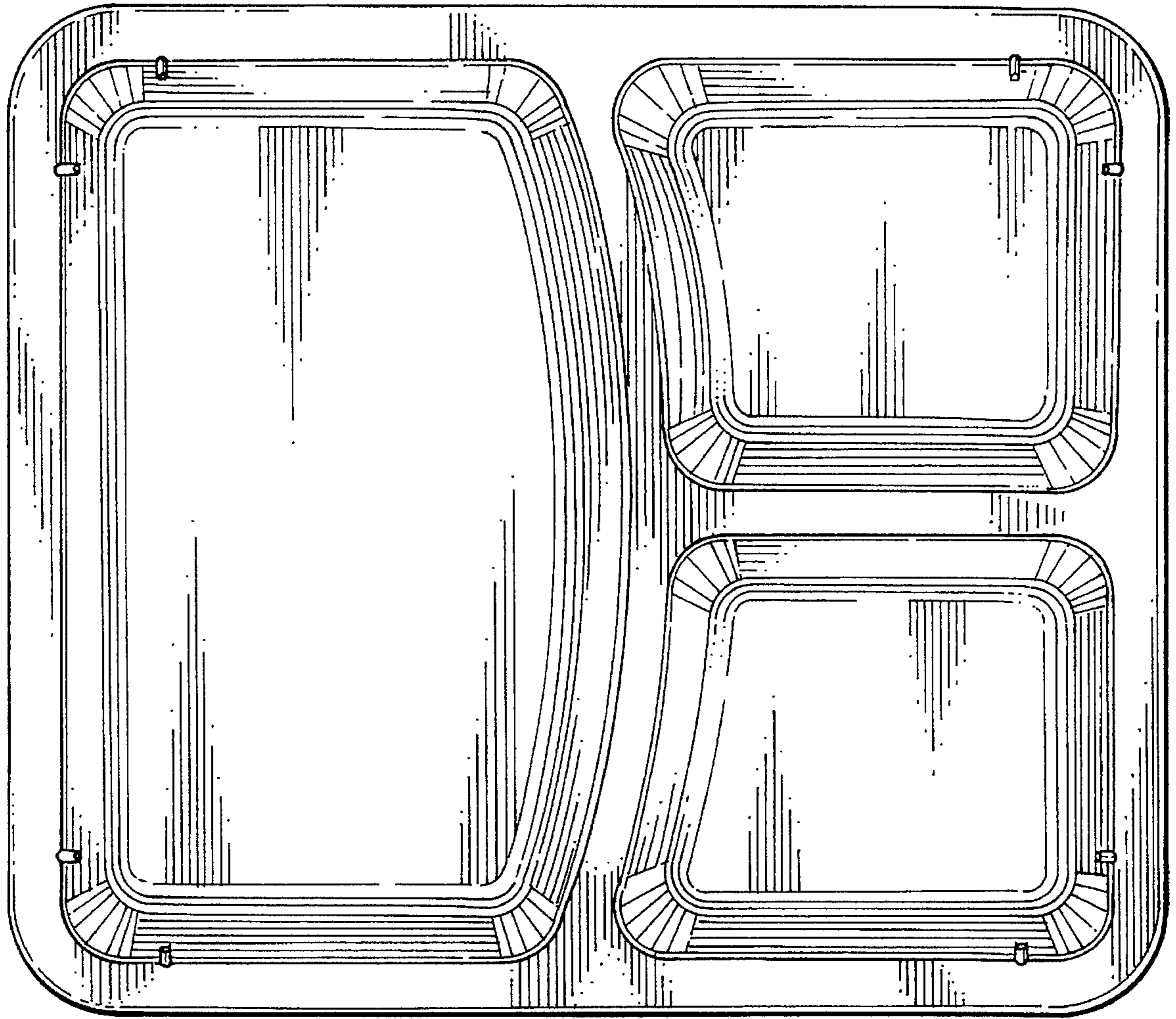


FIG. 5

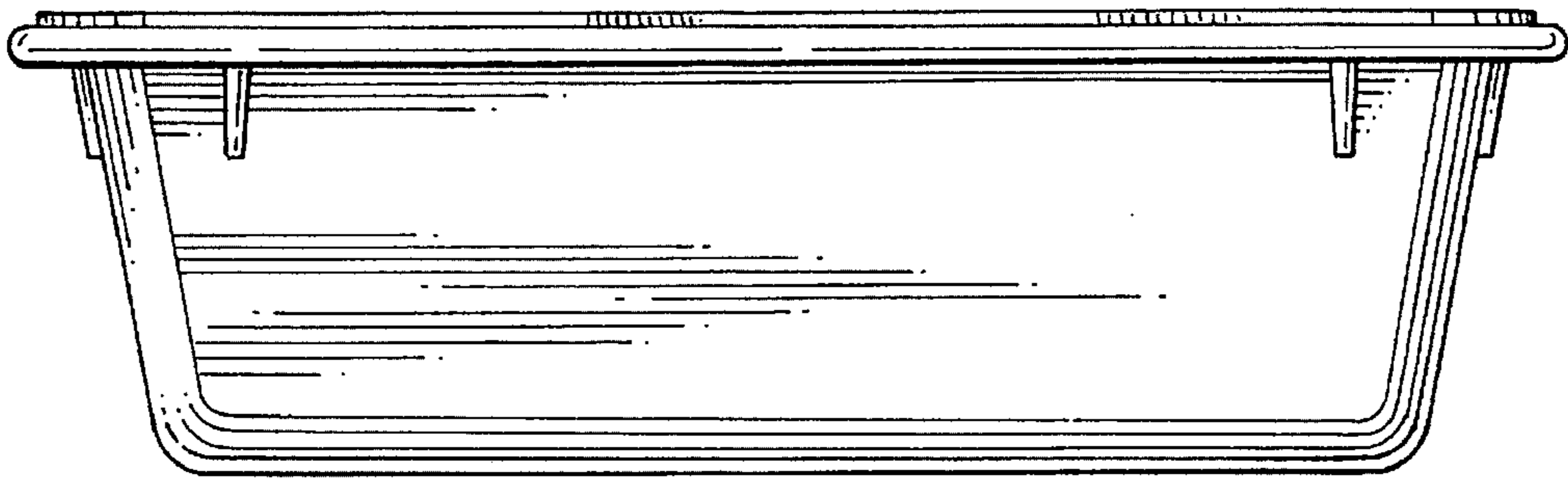


FIG. 6