



US00D376951S

United States Patent [19]
Rorke

[11] **Patent Number: Des. 376,951**

[45] **Date of Patent: **Dec. 31, 1996**

[54] **BLENDER**

[75] **Inventor: Anthony B. Rorke, Guilford, Conn.**

[73] **Assignee: Black & Decker Inc., Newark, Del.**

[**] **Term: 14 Years**

[21] **Appl. No.: 48,681**

[22] **Filed: Jan. 11, 1996**

[52] **U.S. Cl. D7/386**

[58] **Field of Search D7/376-384, 386,
D7/412; 366/129, 130, 197, 199, 204, 205,
314**

[56] **References Cited**

U.S. PATENT DOCUMENTS

D. 207,692	5/1967	Dykes	D7/378 X
D. 215,680	10/1969	Hanson et al.	D7/378 X
D. 309,548	7/1990	McCloskey	D7/378
D. 341,749	11/1993	Correa	D7/386
D. 363,190	10/1995	Brady	D7/386

Primary Examiner—James M. Gandy
Assistant Examiner—Caron D. Veynar
Attorney, Agent, or Firm—Barry E. Deutsch

[57] **CLAIM**

The ornamental design for a blender, as shown and described.

DESCRIPTION

FIG. 1 is a perspective view taken from the front, right and top of a blender illustrating my new design, the broken line showing of a blender container is for illustrative purposes only and forms no part of the claimed design; FIG. 2 is a right side elevational view thereof; FIG. 3 is a left side elevational view thereof; FIG. 4 is a front elevational view thereof; FIG. 5 is a rear elevational view thereof; FIG. 6 is a top plan view thereof; and, FIG. 7 is a bottom plan view thereof.

1 Claim, 3 Drawing Sheets

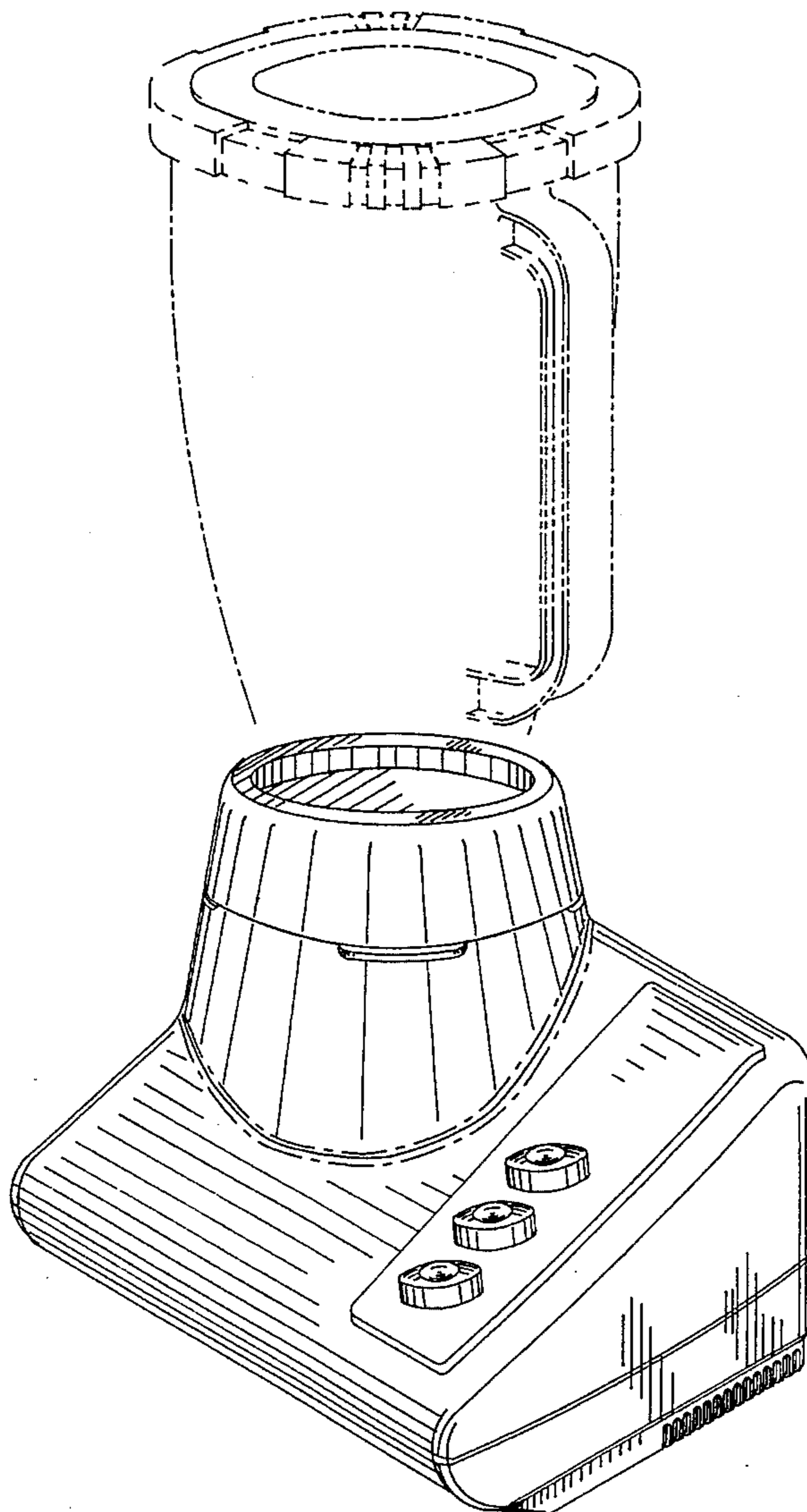


FIG. 1

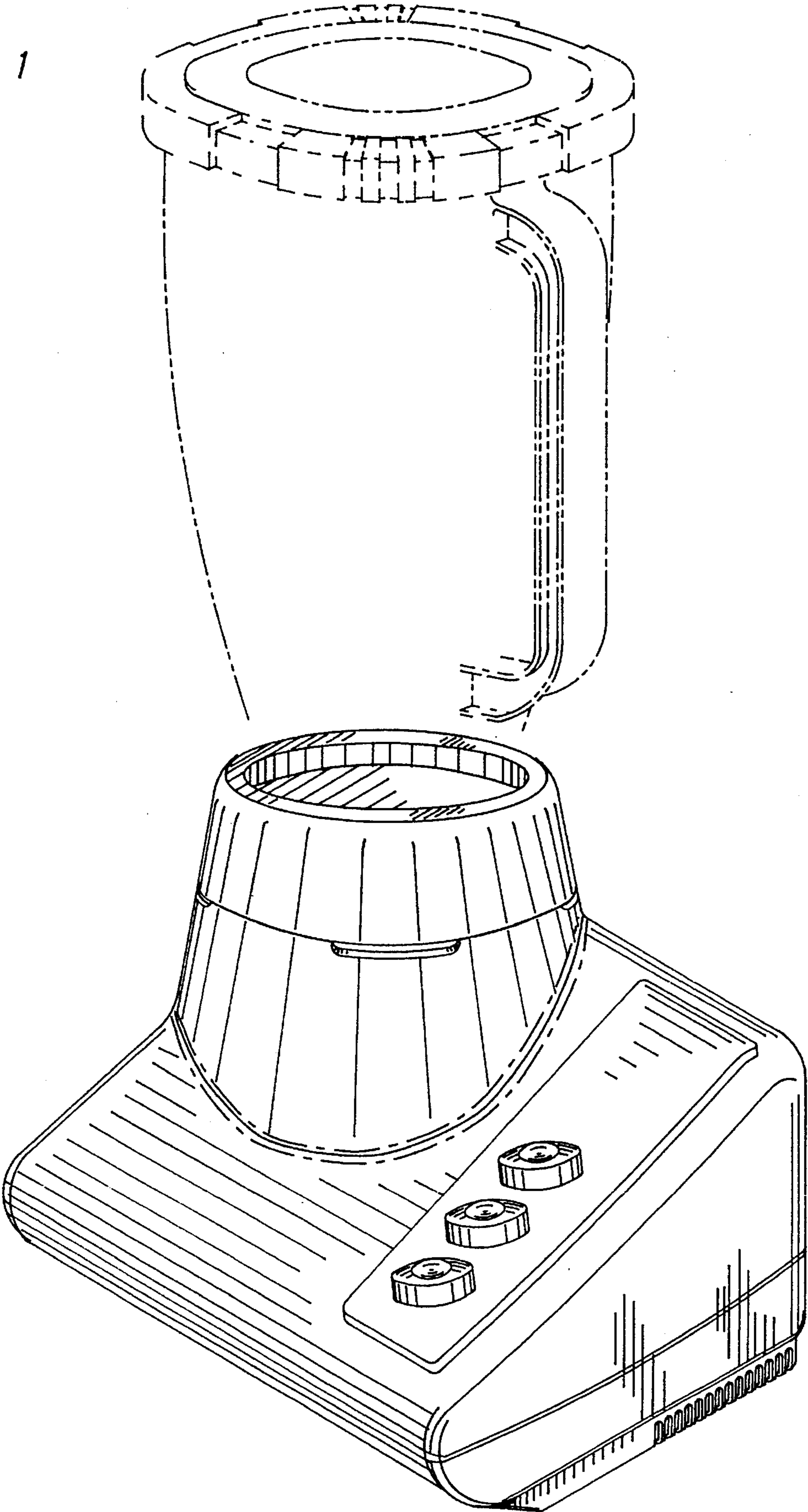


FIG. 2

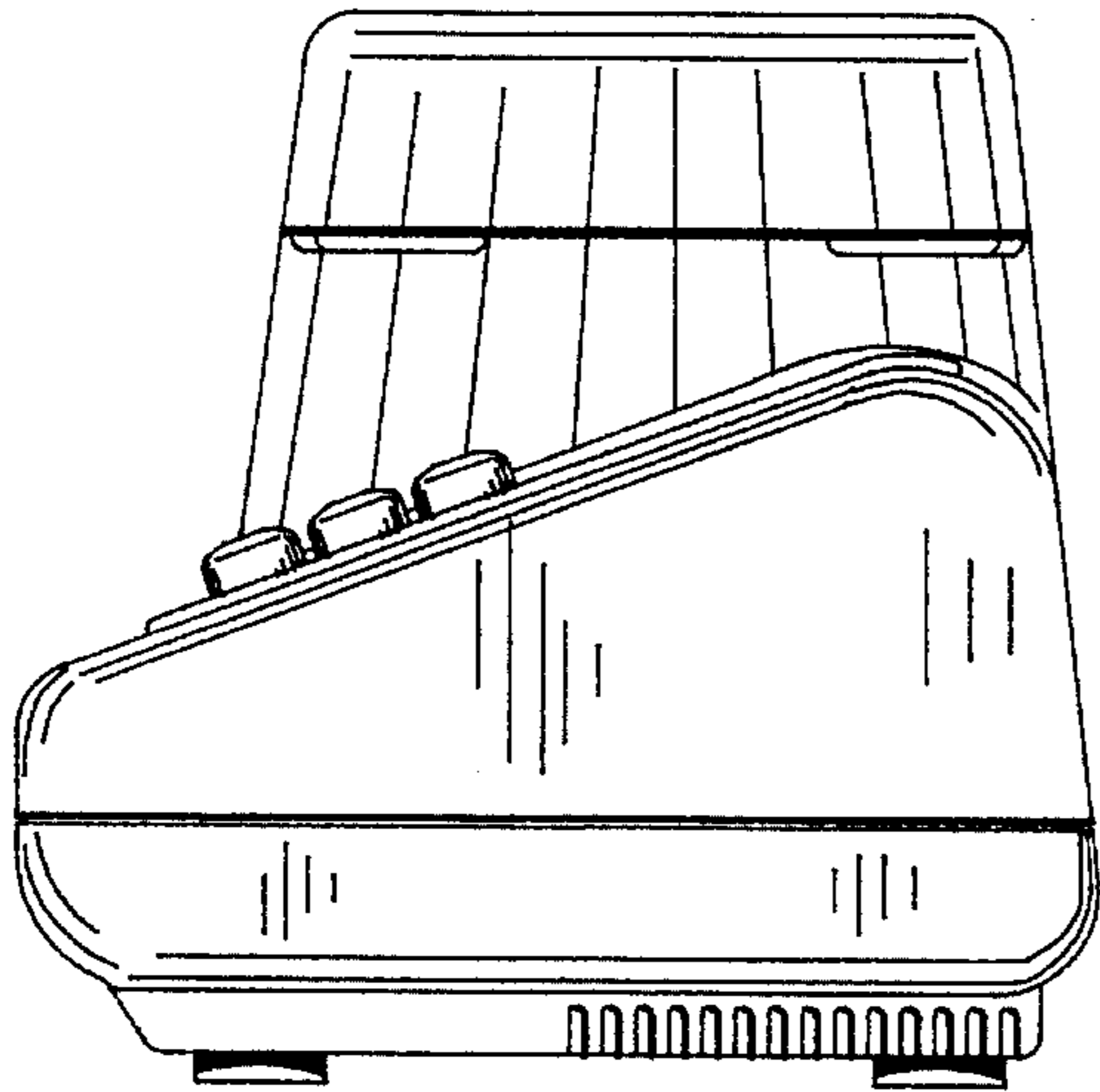


FIG. 3

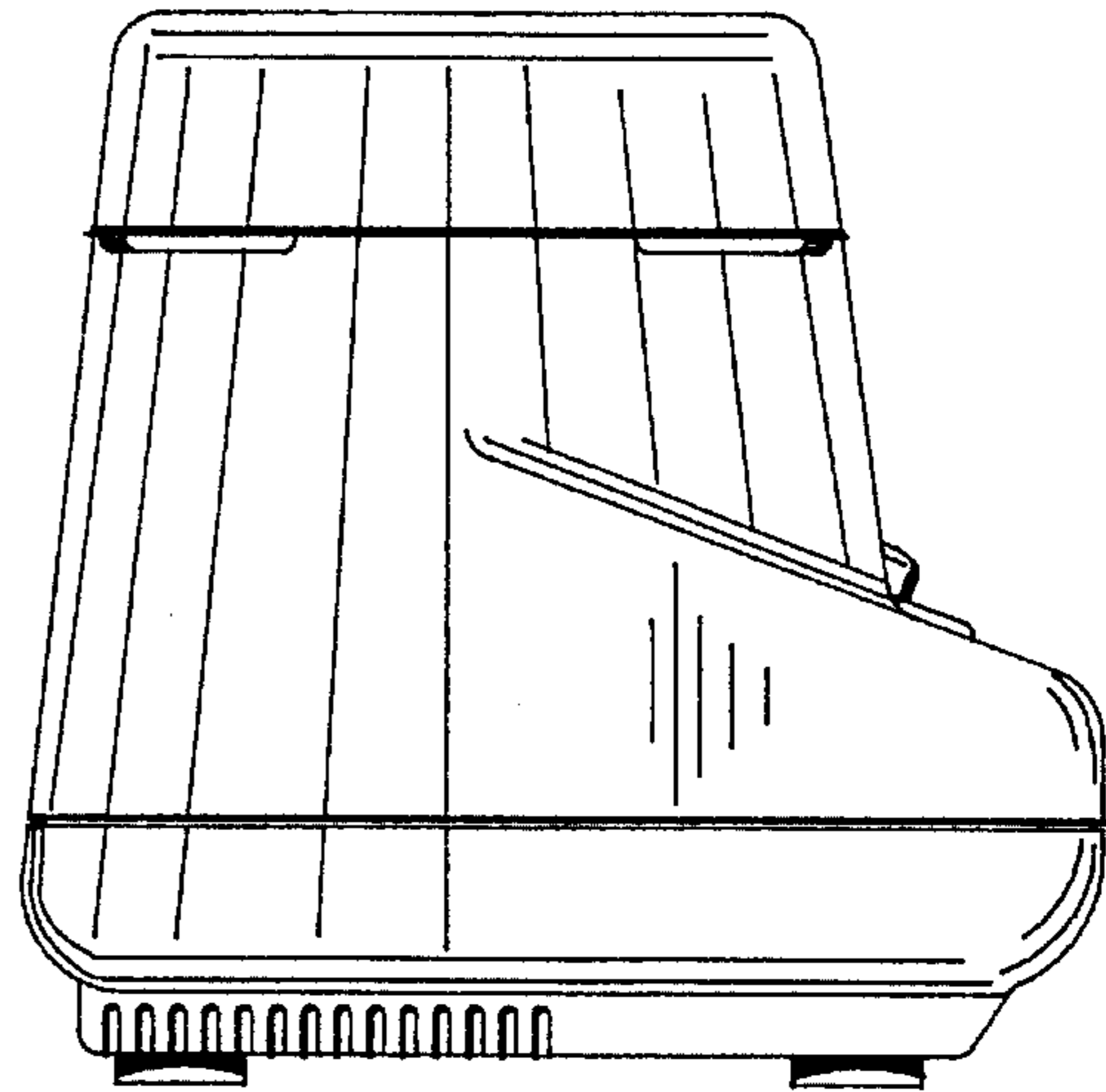


FIG. 4

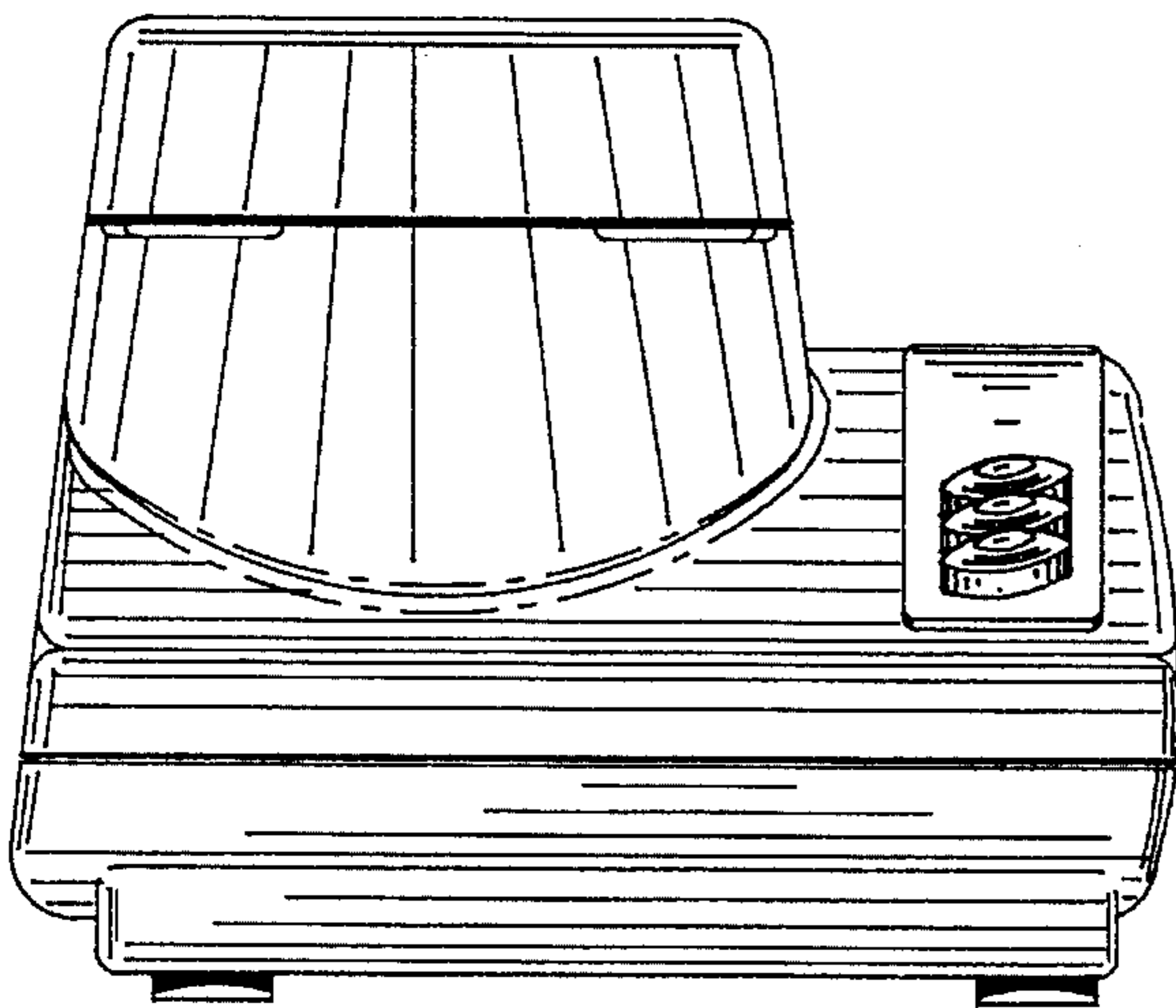


FIG. 5

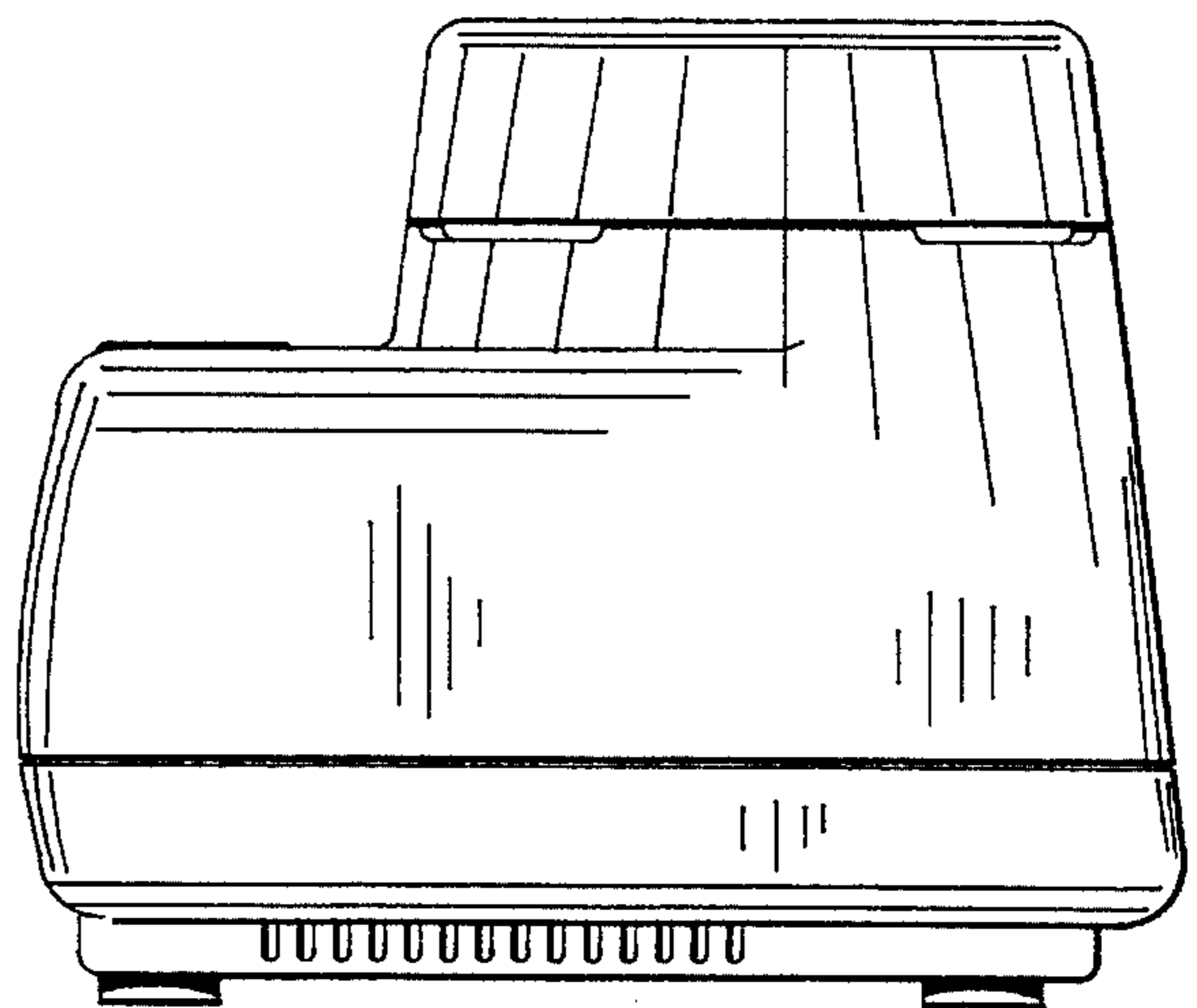


FIG. 6

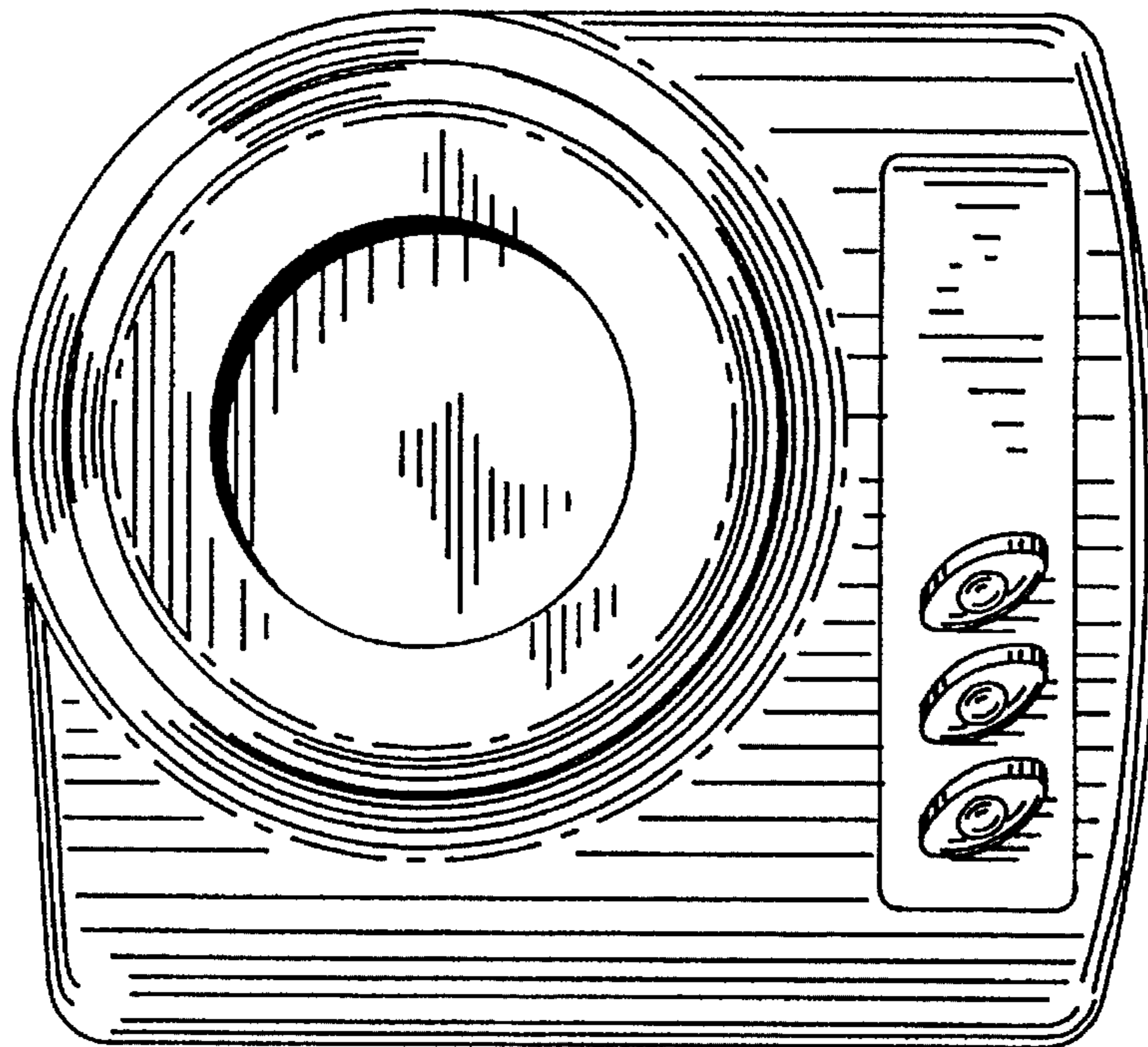


FIG. 7

