



US00D376948S

United States Patent [19]

Sullins et al.

[11] Patent Number: **Des. 376,948**

[45] Date of Patent: ****Dec. 31, 1996**

[54] **COMBINED LAP PILLOW AND BOOK SUPPORT**

4,052,944 10/1977 Jennings 108/43
5,090,334 2/1992 Sutton 108/43

[75] Inventors: **Patrick H. Sullins; Don M. Jennings,**
both of Arlington, Tex.

[73] Assignee: **Creative Manufacturing, Inc.,**
Arlington, Tex.

[**] Term: **14 Years**

[21] Appl. No.: **38,660**

[22] Filed: **May 11, 1995**

[52] U.S. Cl. **D6/601; D6/419; D6/596**

[58] Field of Search D6/595, 596, 601,
D6/406, 419; 297/452.26, 452.21, 452.23;
108/43, 42; 5/639, 640, 636, 630; 248/105,
441.1, 444, 451

[56] **References Cited**

U.S. PATENT DOCUMENTS

D. 346,701	5/1994	Colley, III	D6/330
D. 358,270	5/1995	Diamond	D6/601
D. 362,565	9/1995	Tubbs et al.	D6/406
1,928,806	10/1933	Barcalo	5/636
2,955,972	10/1960	Wintermute et al.	156/79

OTHER PUBLICATIONS

Heritage Products Advertisement, Book Buddy.
Levenger Tools For Serious Readers, Early Summer 1993,
Readers Pillow, #AF050, p. 3.

Primary Examiner—Lisa P. Lichtenstein
Attorney, Agent, or Firm—Sidley & Austin

[57] **CLAIM**

The ornamental design for a combined lap pillow and book support, as shown and described.

DESCRIPTION

FIG. 1 is a perspective view of our original and ornamental design for a combined lap pillow and book support; FIG. 2 is a top view of thereof; FIG. 3 is a left side view thereof, a right side view being a mirror image of this view; FIG. 4 is a rear view thereof; FIG. 5 is a front view thereof; and, FIG. 6 is a bottom view thereof.

1 Claim, 3 Drawing Sheets

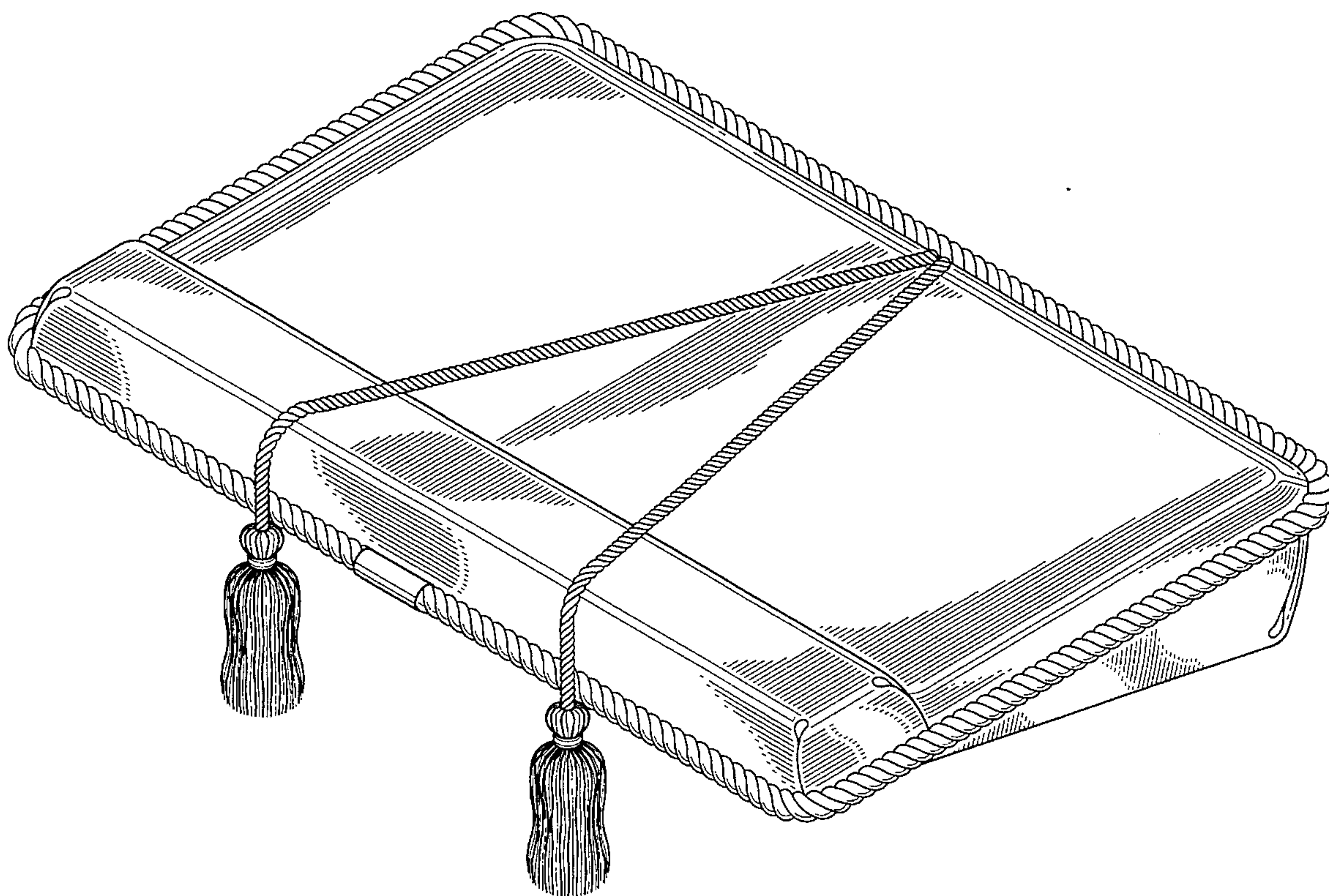
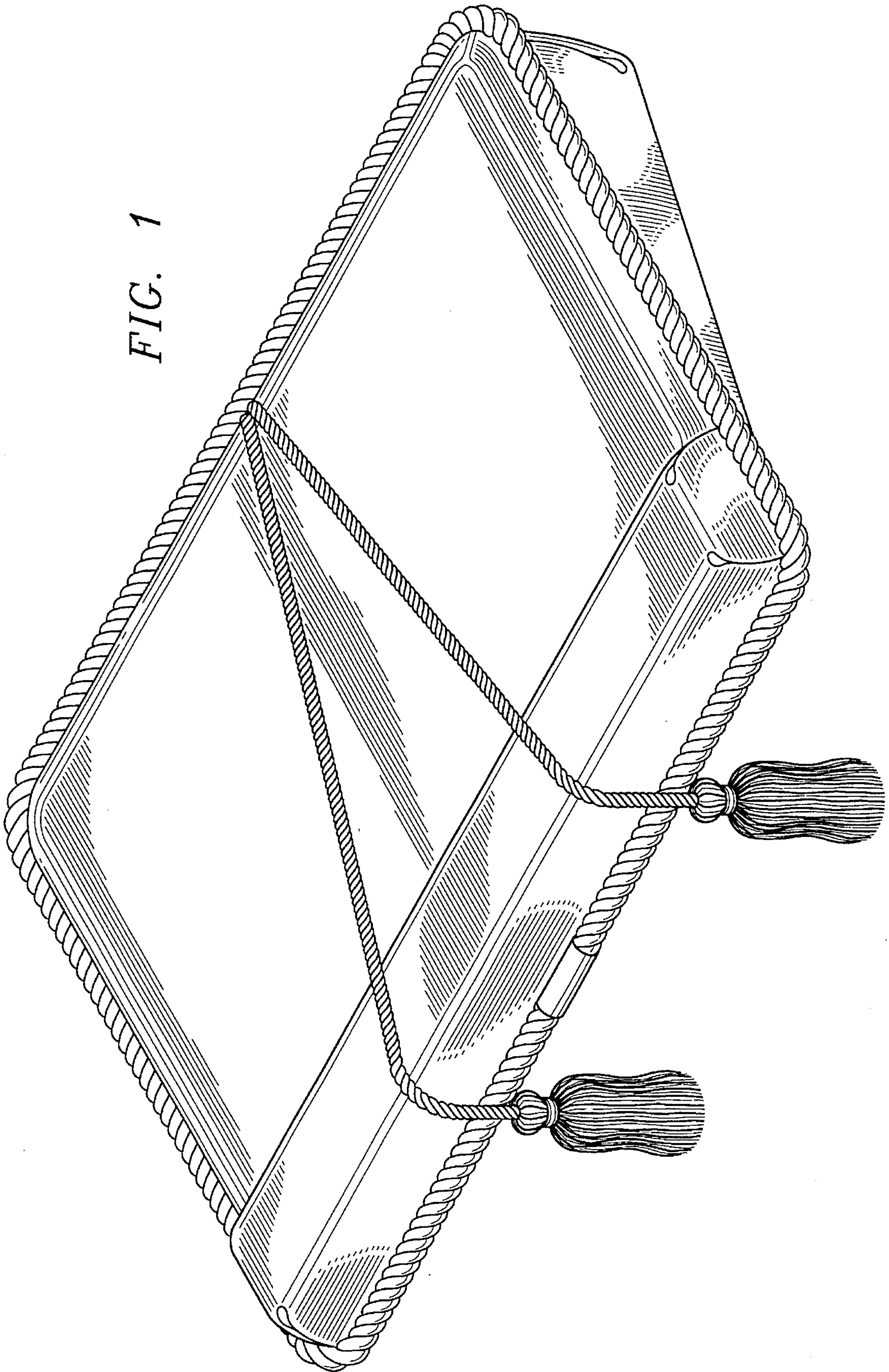


FIG. 1



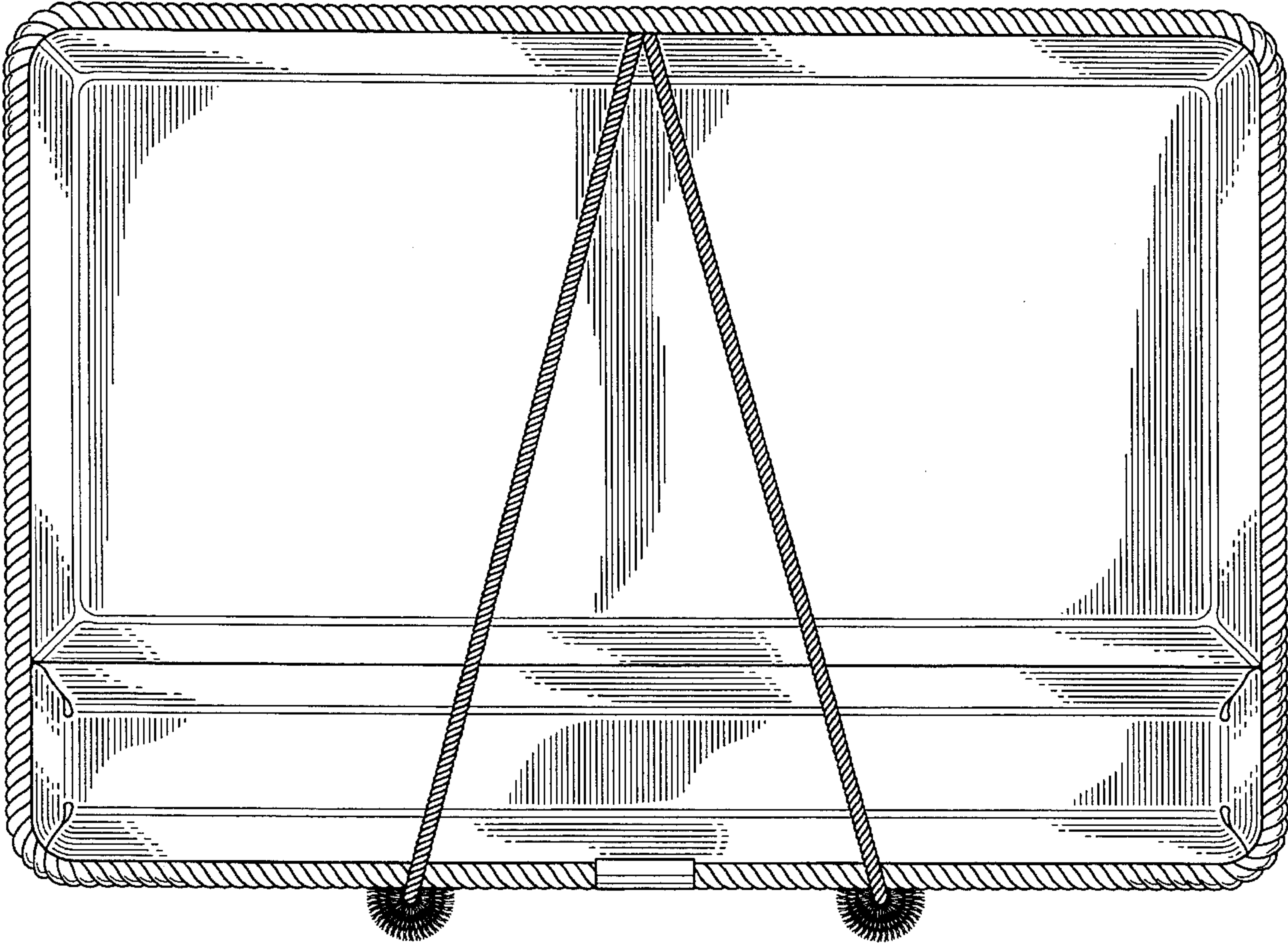


FIG. 2

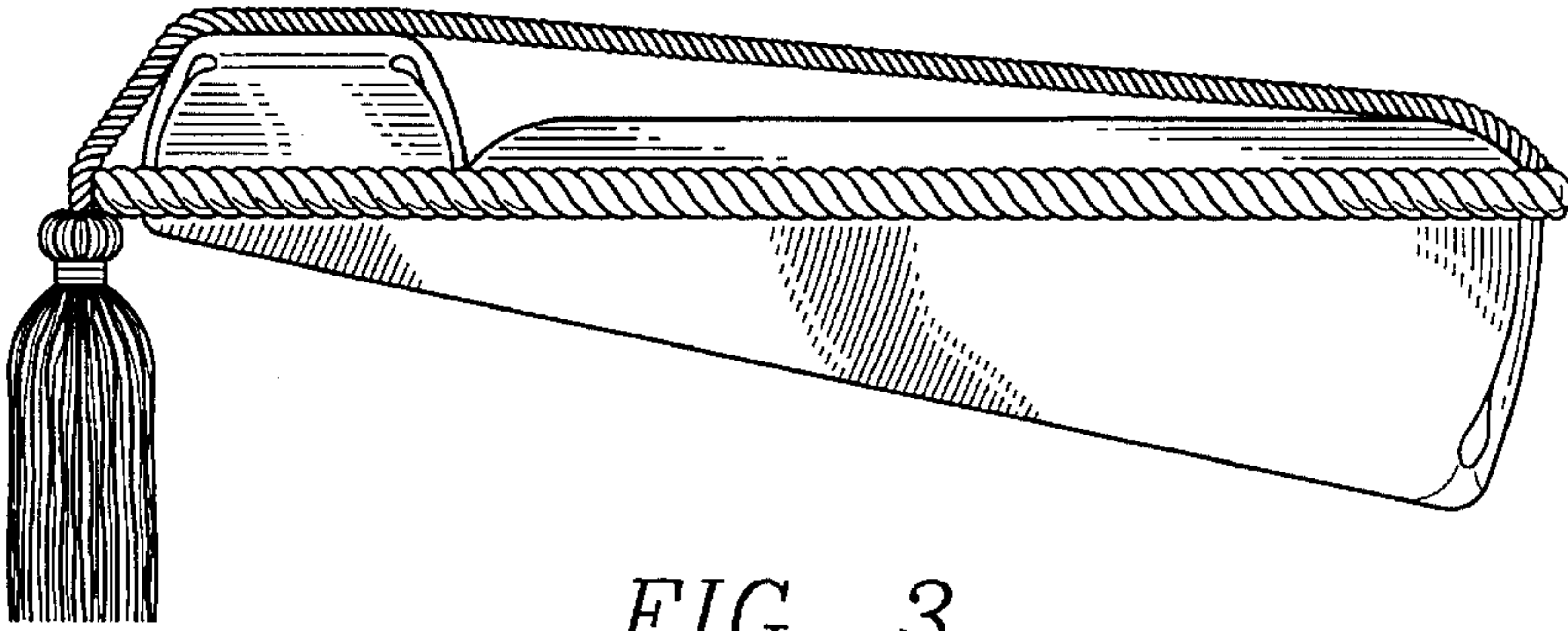


FIG. 3

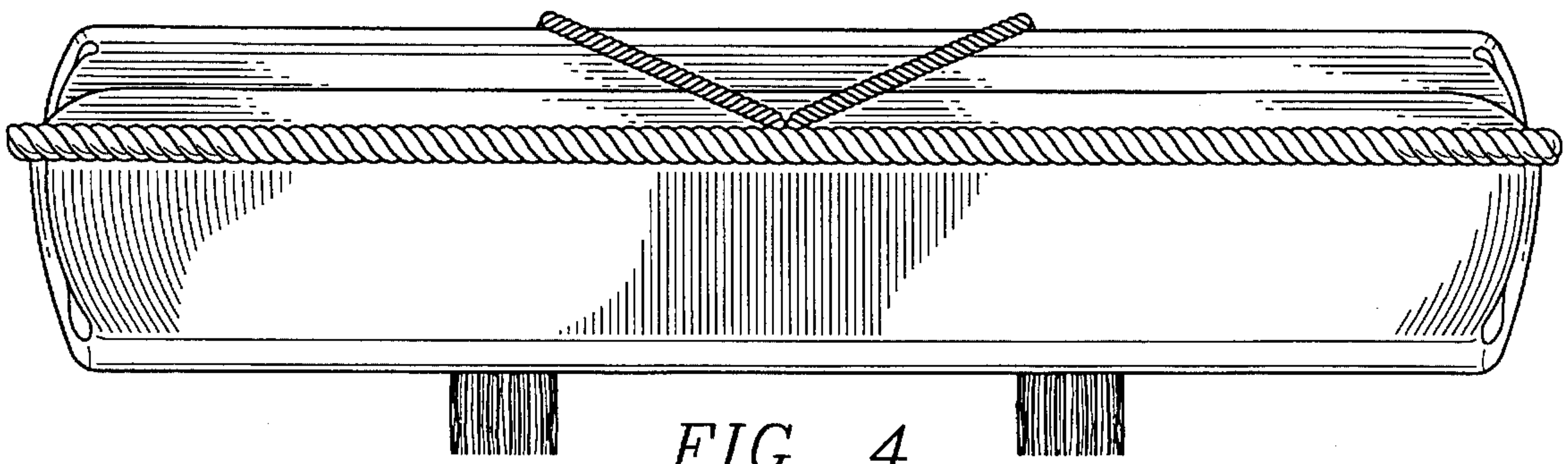


FIG. 4

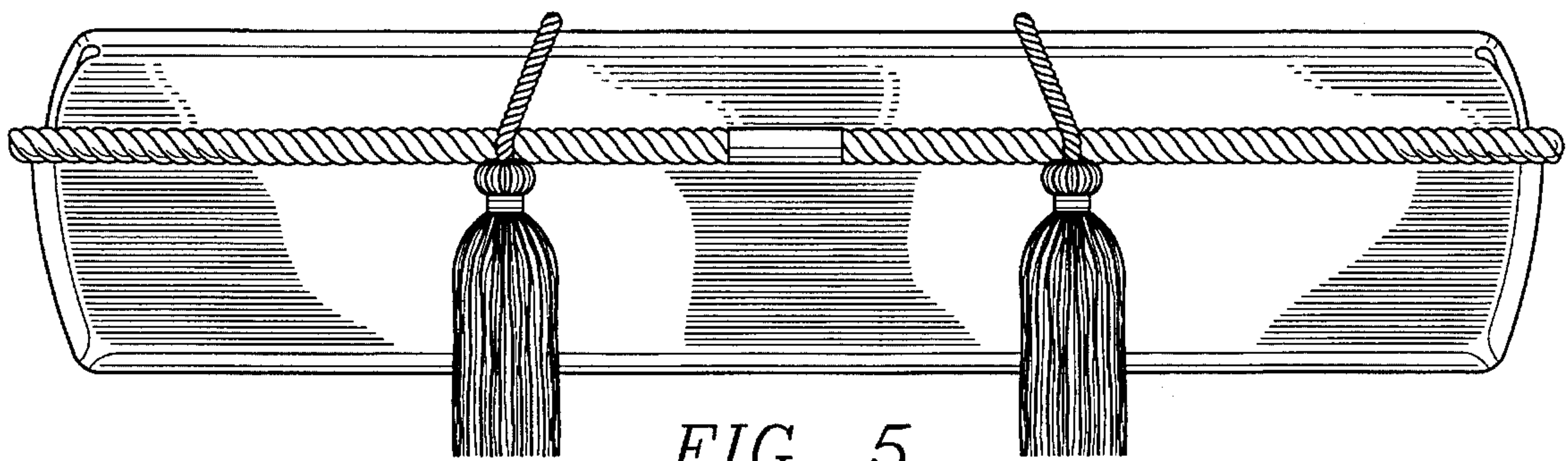


FIG. 5

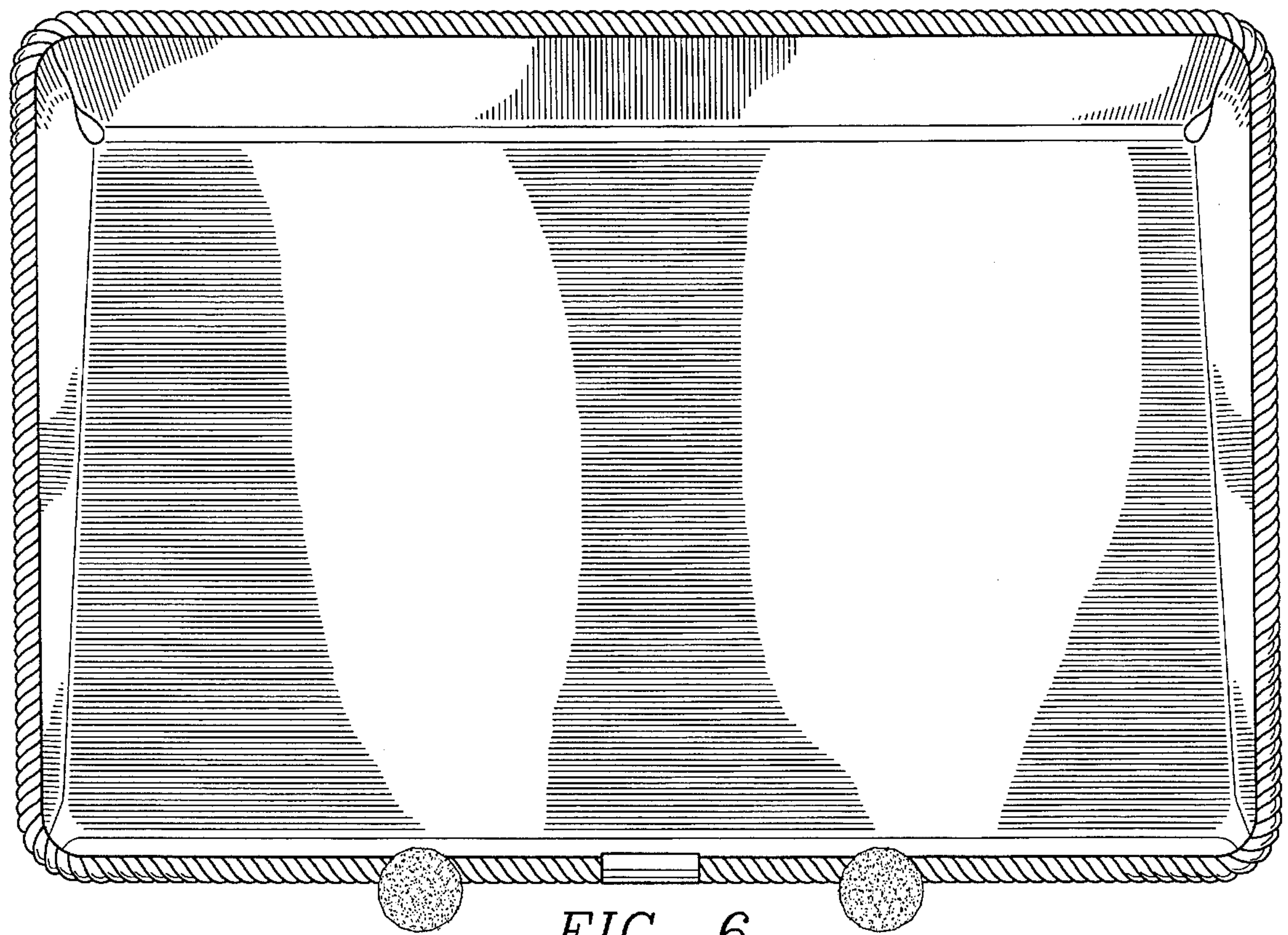


FIG. 6