



US00D376946S

**United States Patent** [19]  
**Maxim**

[11] **Patent Number: Des. 376,946**

[45] **Date of Patent: \*\*Dec. 31, 1996**

[54] **PORTABLE SEAT TOTE**

[76] Inventor: **Michael Maxim**, 147 Knipp, Houston, Tex. 77024

[\*\*] Term: **14 Years**

[21] Appl. No.: **51,190**

[22] Filed: **Mar. 5, 1996**

[52] U.S. Cl. .... **D6/596**

[58] **Field of Search** ..... D6/595, 596, 601, D6/608; 5/417-420, 473, 484, 495, 466; 297/183.1, 219.1, 229; D3/233, 303

[56] **References Cited**

**U.S. PATENT DOCUMENTS**

D. 212,149	9/1968	Tuvert	.....	D6/596 X
D. 308,454	6/1990	Merli	.....	D6/596
D. 316,352	4/1991	Anson	.....	D6/596
4,924,543	5/1990	Hoss et al.	.....	5/484
4,991,245	2/1991	Franco	.....	5/417

*Primary Examiner*—Janice E. Seeger  
*Attorney, Agent, or Firm*—Pravel, Hewitt, Kimball & Krieger

[57] **CLAIM**

The ornamental design for a portable seat tote, as described and shown.

**DESCRIPTION**

FIG. 1 is a front perspective view of a portable seat tote, showing our new design in a folded condition;

FIG. 2 is a perspective view of the outside of the portable seat tote design, showing our design in an unfolded condition;

FIG. 3 is a perspective view of the inside of the portable seat tote, showing our design in an unfolded condition;

FIG. 4 is a first side plan view of the portable seat tote, showing our new design in an unfolded condition;

FIG. 5 is a second side plan view of the portable seat tote, showing our new design in an unfolded condition;

FIG. 6 is a plan view of the top of the portable seat tote of FIG. 3; and,

FIG. 7 is a plan view of the bottom of the portable seat tote of FIG. 3.

**1 Claim, 4 Drawing Sheets**

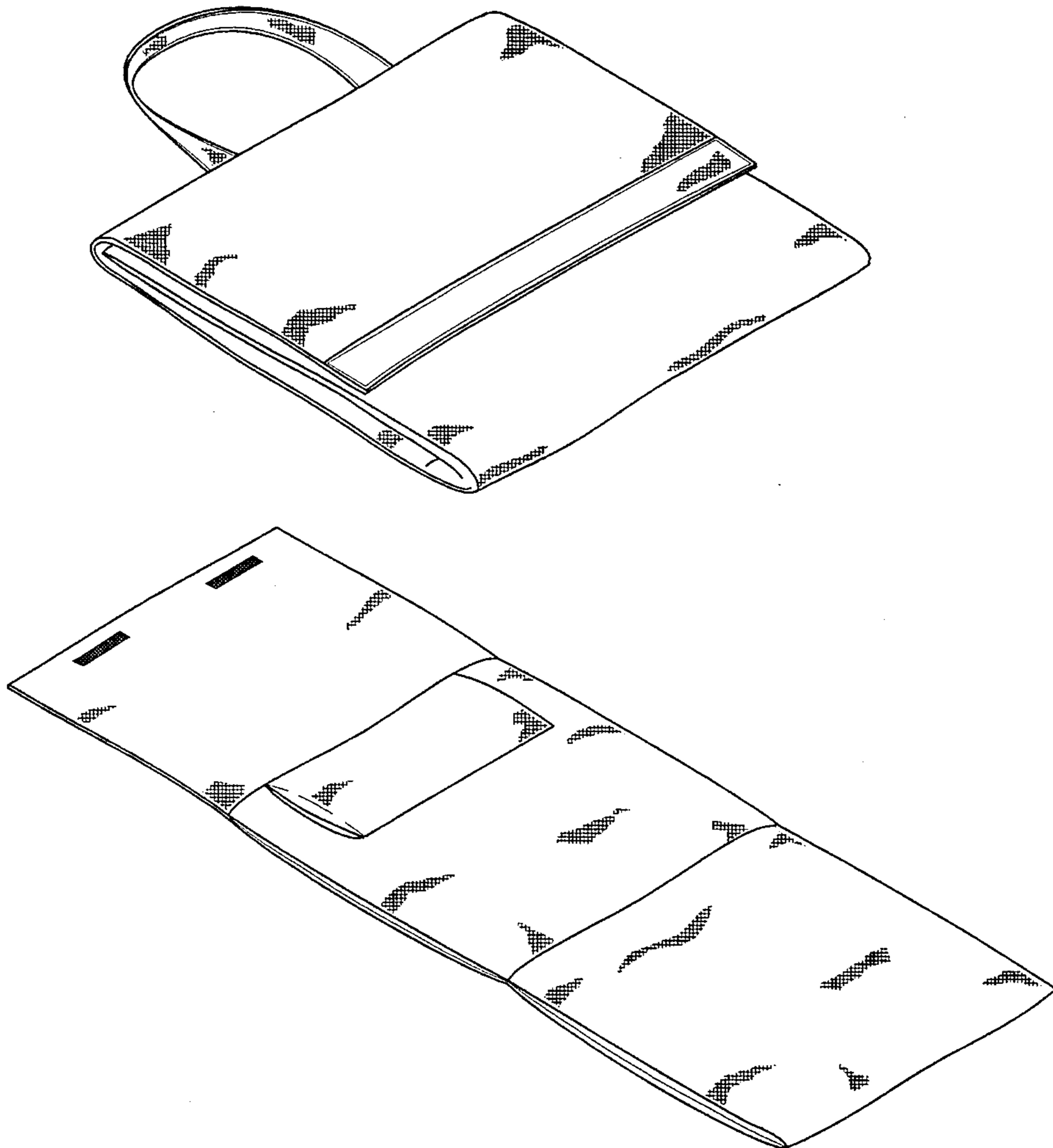


FIG. 1

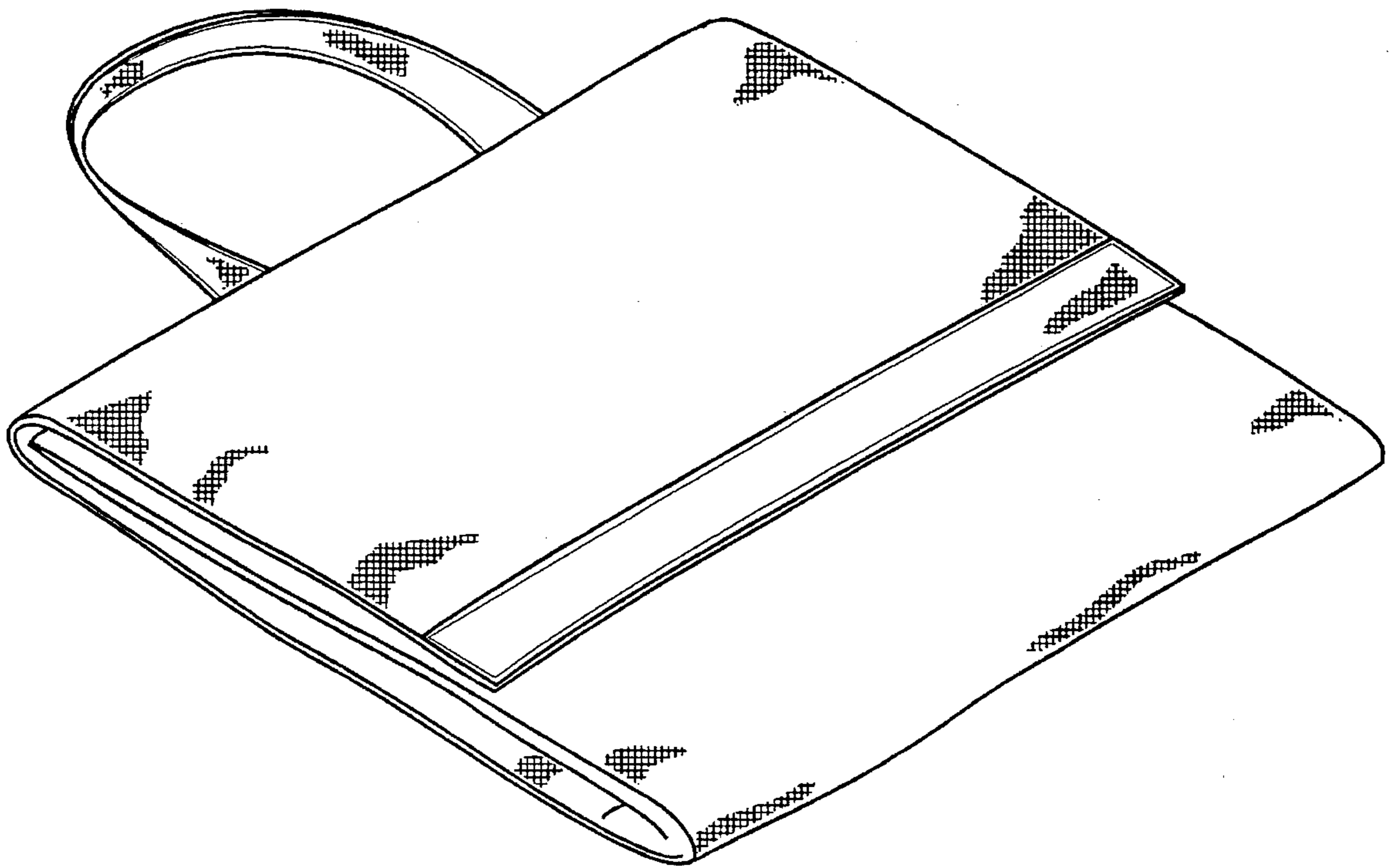


FIG. 2

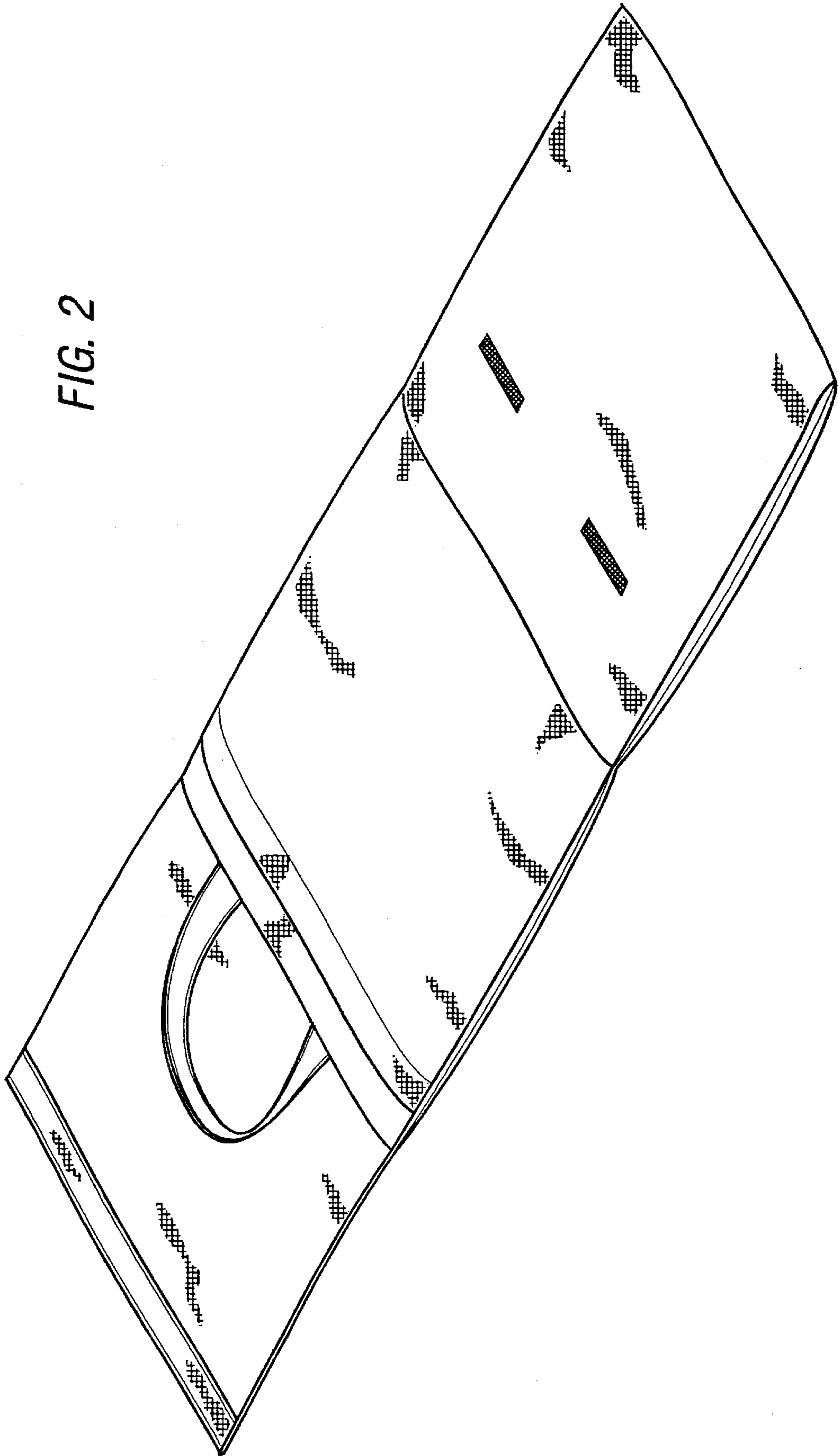


FIG. 3

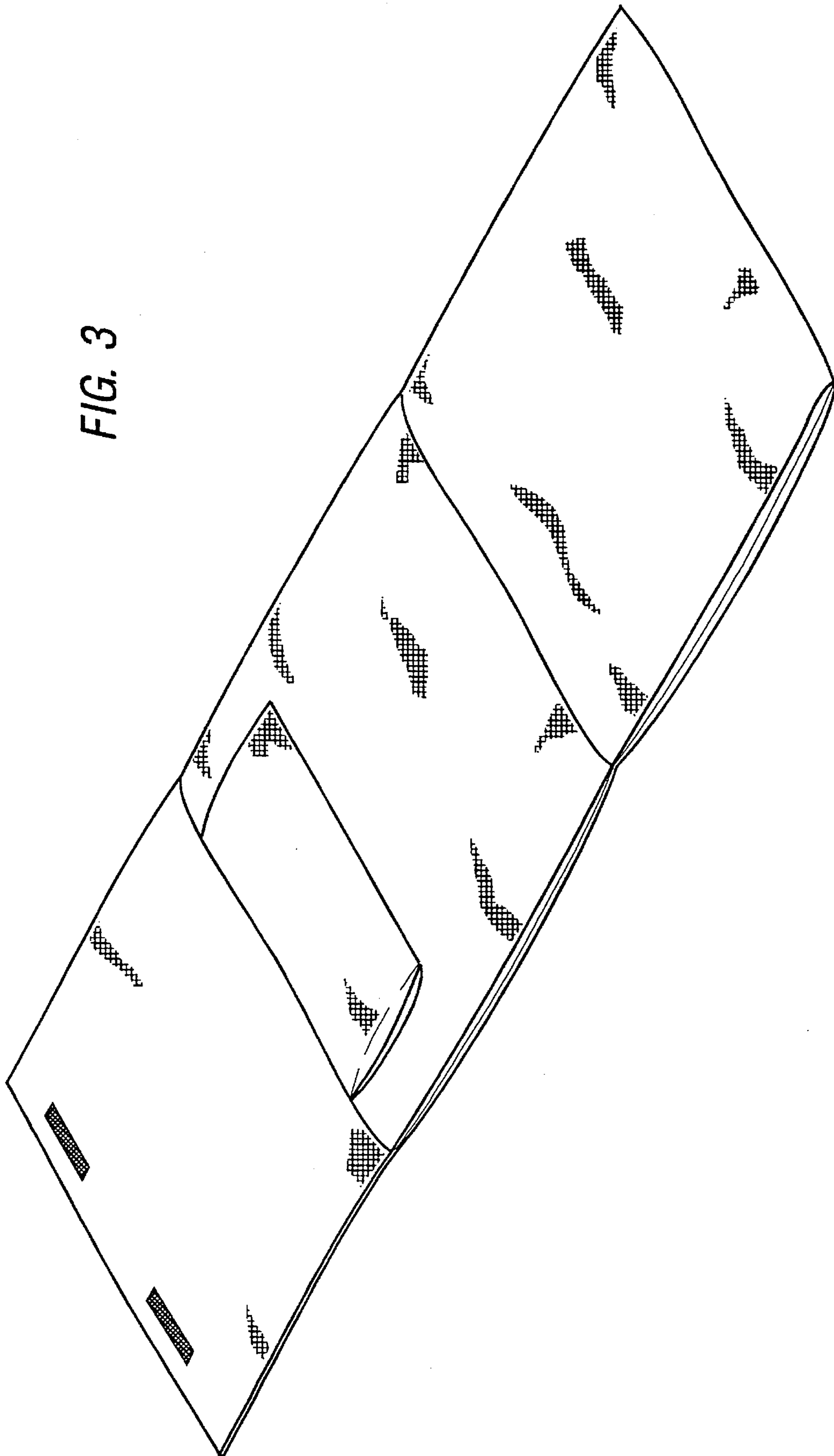


FIG. 4



FIG. 5



FIG. 6



FIG. 7

