



US00D376945S

United States Patent [19]

[11] Patent Number: **Des. 376,945**

Bonaddio et al.

[45] Date of Patent: ****Dec. 31, 1996**

[54] **FOLDABLE MATTRESS**

572723 2/1976 Switzerland 5/465

[75] Inventors: **Vincenzo A. Bonaddio**, Rancho Santa Margarita; **Jose De Jesus Munoz Contreras**, Apple Valley, both of Calif.

OTHER PUBLICATIONS

B-O-M-C Inc. Cat., S&S 1981, CUBO(F); bottom left side of page.

[73] Assignee: **Foamex L.P.**, Linwood, Pa.

Primary Examiner—Lisa P. Lichtenstein
Attorney, Agent, or Firm—Natan Epstein

[**] Term: **14 Years**

[57] CLAIM

[21] Appl. No.: **33,864**

The ornamental design for a foldable mattress, as shown.

[22] Filed: **Jan. 23, 1995**

DESCRIPTION

[52] U.S. Cl. **D6/596; D6/368; D6/595; D6/601**

[58] Field of Search **D6/595, 596, 601, D6/368, 335, 336; 5/657, 417-420, 448, 630, 632, 481; D21/191**

FIG. 1 is a front-left perspective view of a foldable mattress shown in fully folded configuration, showing our new design;

FIG. 2 is a left side view thereof;

FIG. 3 is a top plan view thereof;

FIG. 4 is a front view thereof;

FIG. 5 is a rear view thereof;

FIG. 6 is a right side view thereof;

FIG. 7 is a bottom view thereof; and,

FIG. 8 is a front-left perspective view thereof, shown in fully unfolded configuration.

[56] References Cited

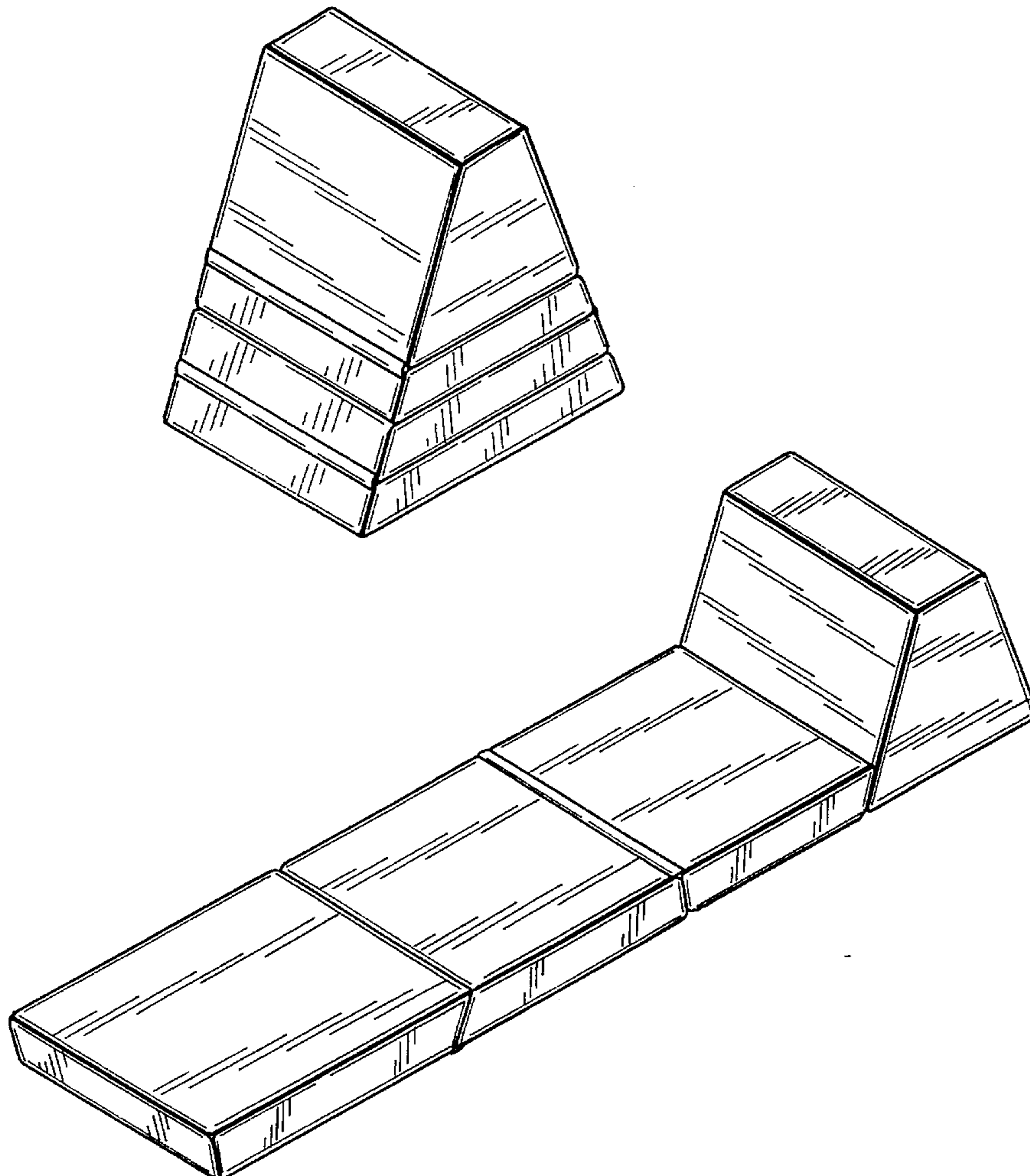
U.S. PATENT DOCUMENTS

D. 343,754 2/1994 Pierce et al. D6/601
3,469,882 9/1969 Carsen 5/419

FOREIGN PATENT DOCUMENTS

669460 9/1965 Belgium 297/382

1 Claim, 1 Drawing Sheet



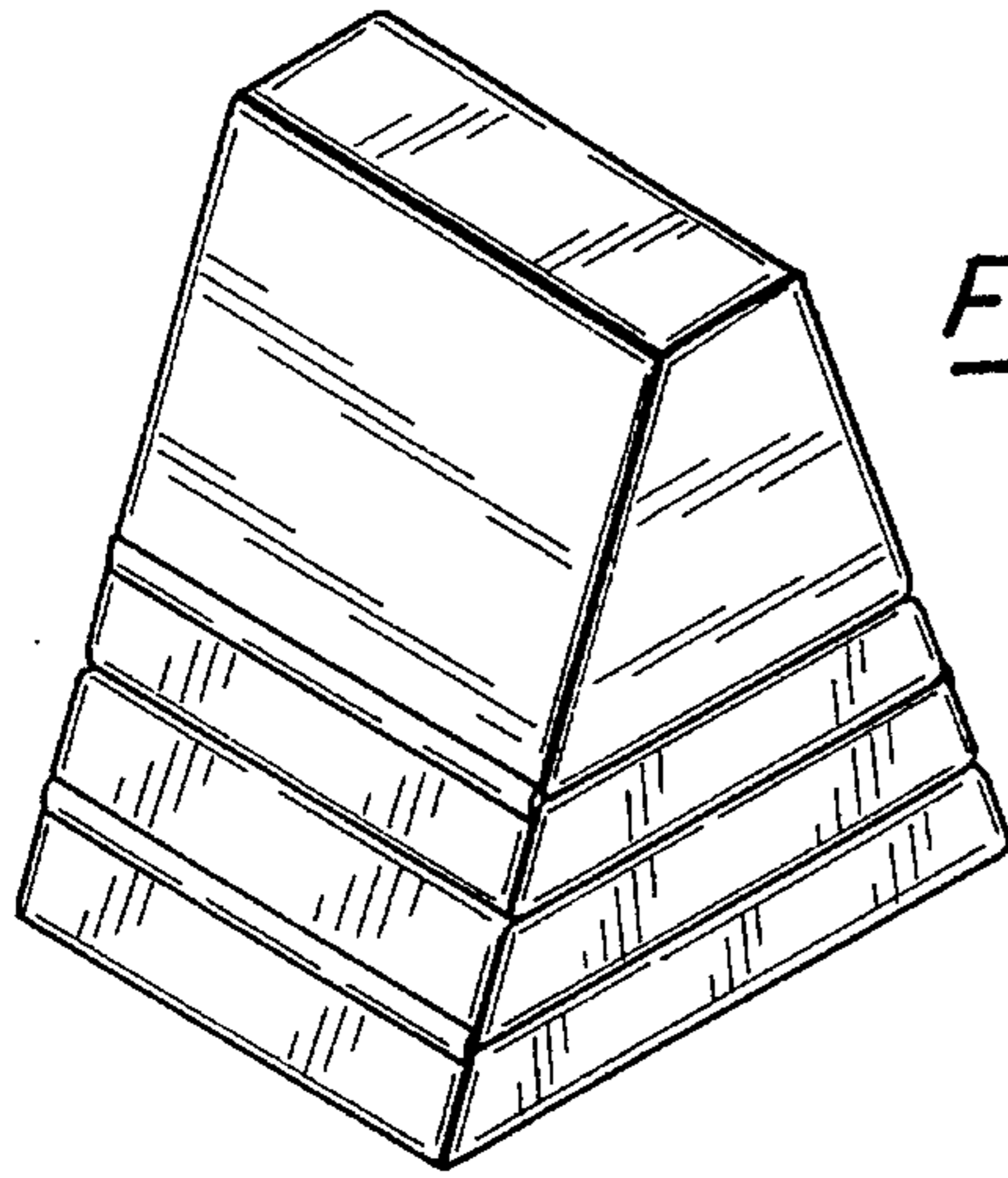


Fig. 1

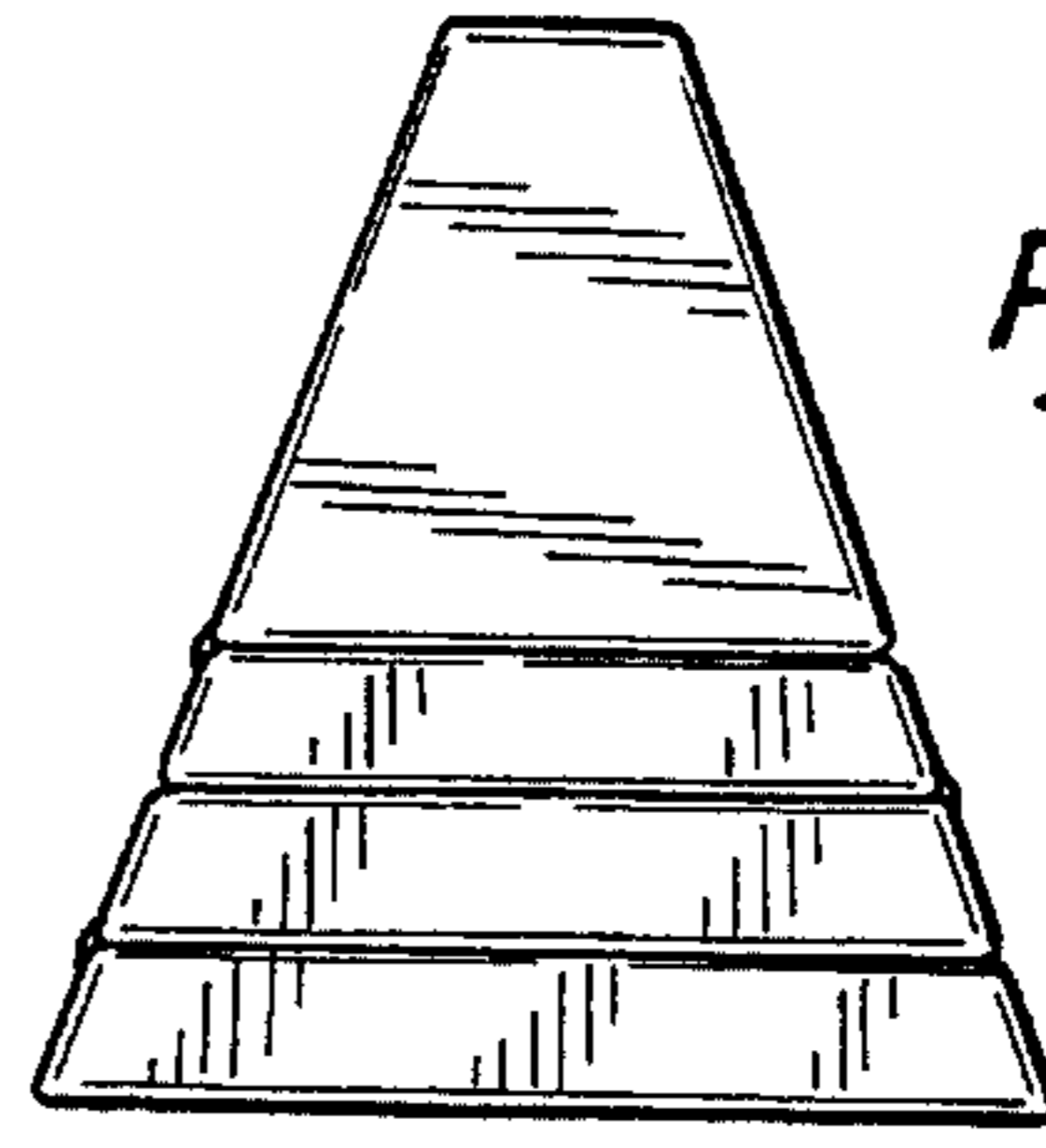


Fig. 2

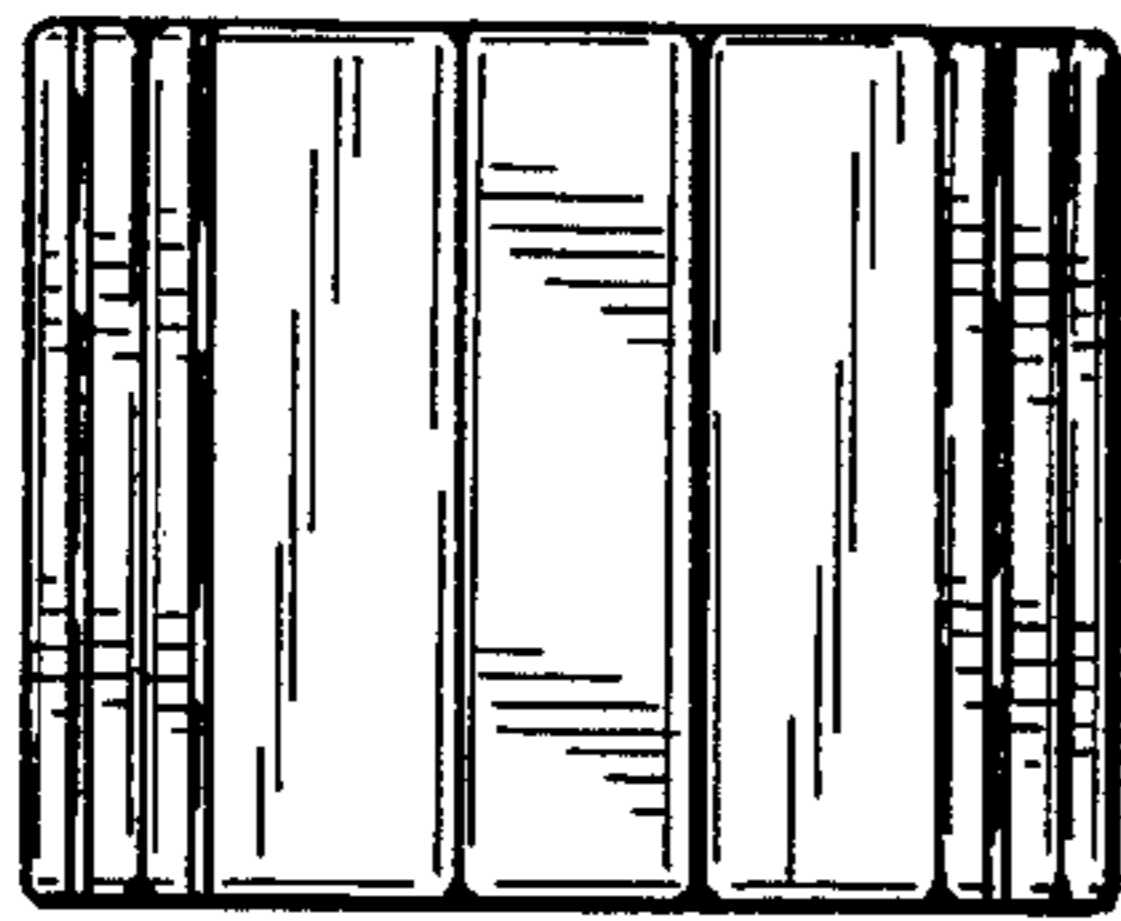


Fig. 3

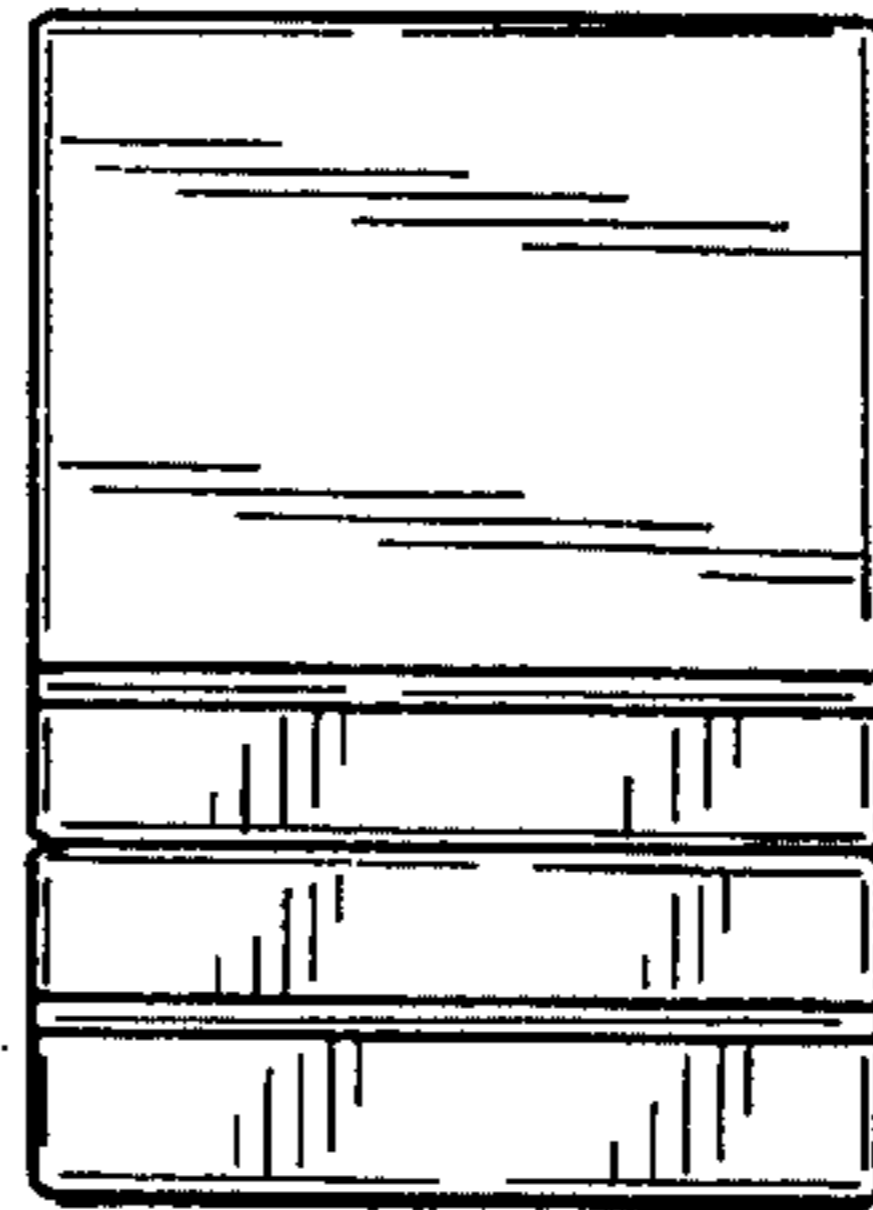


Fig. 4

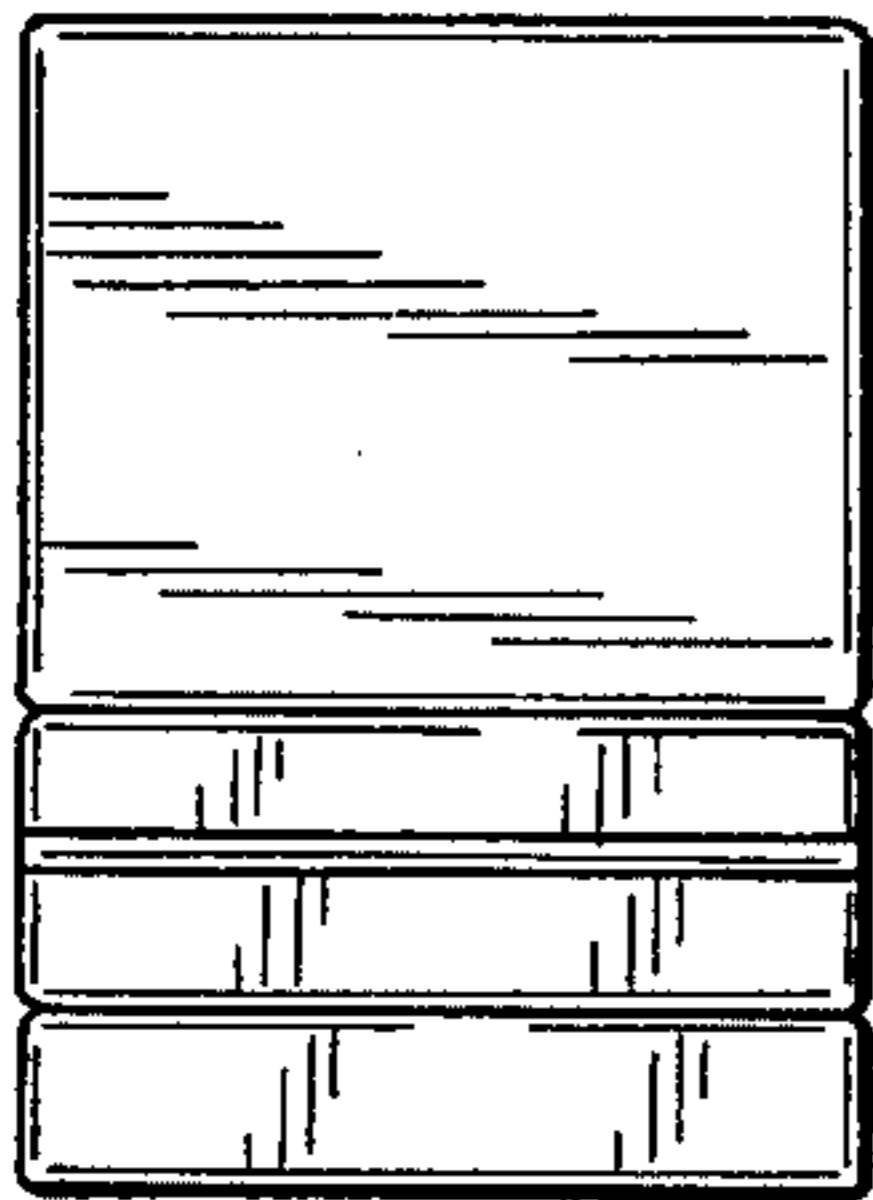


Fig. 5

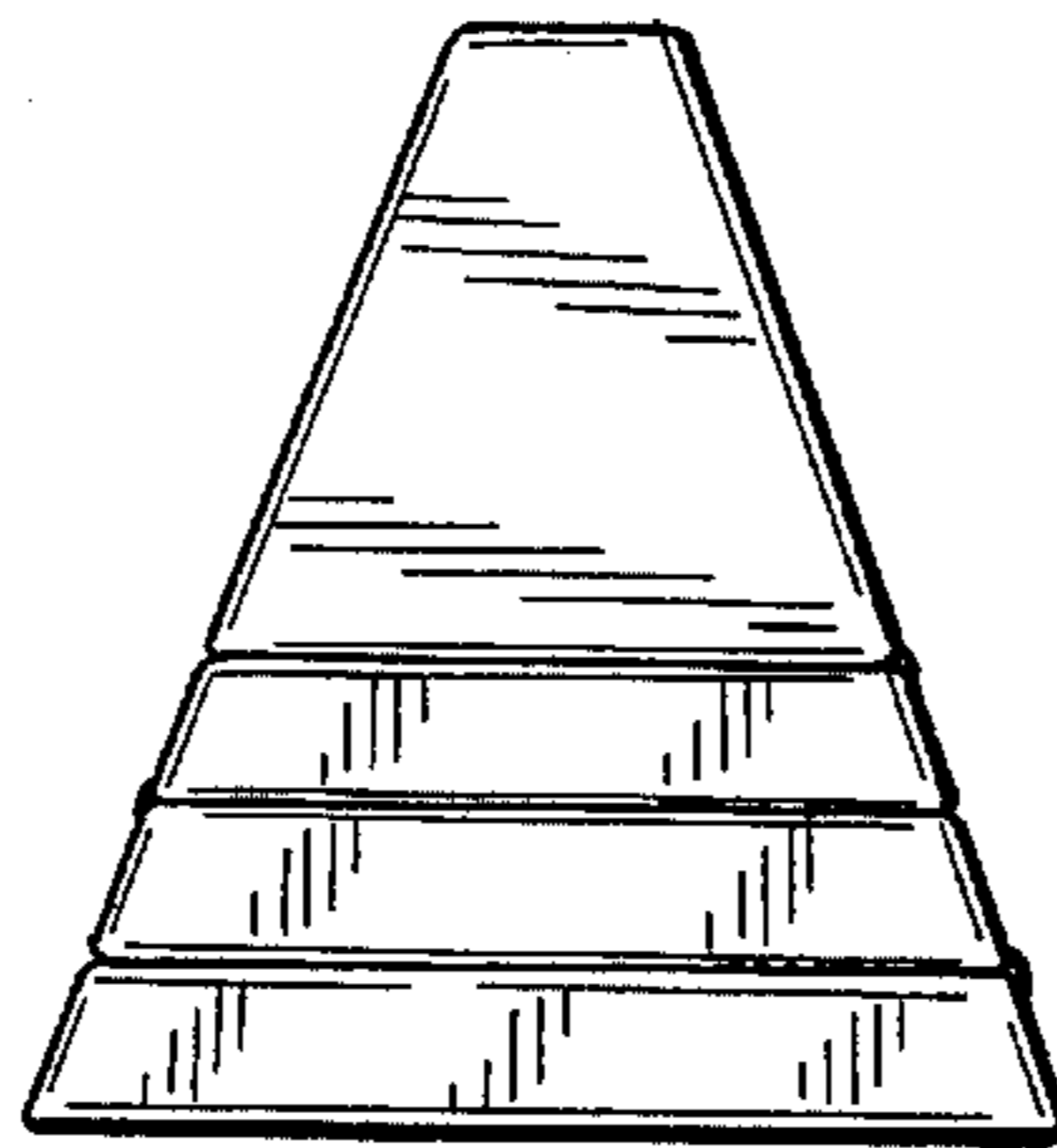


Fig. 6

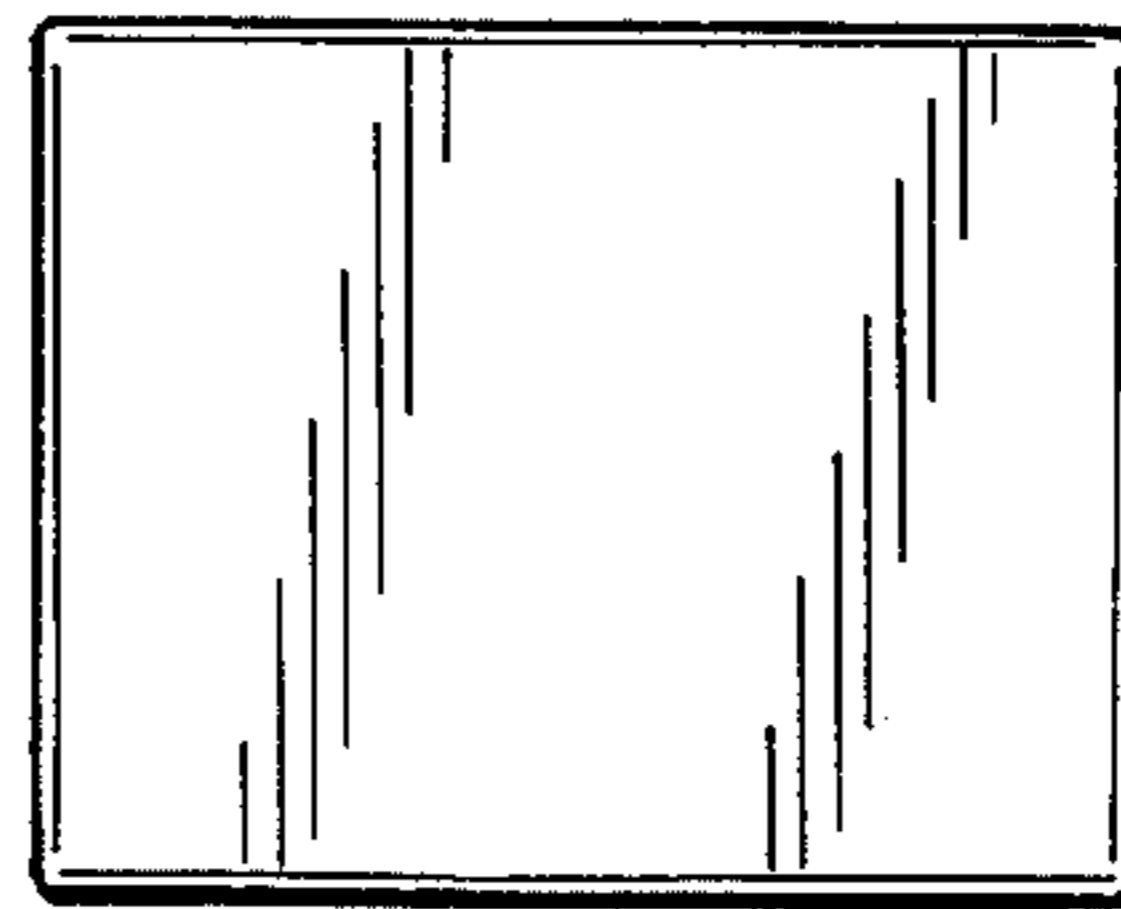


Fig. 7

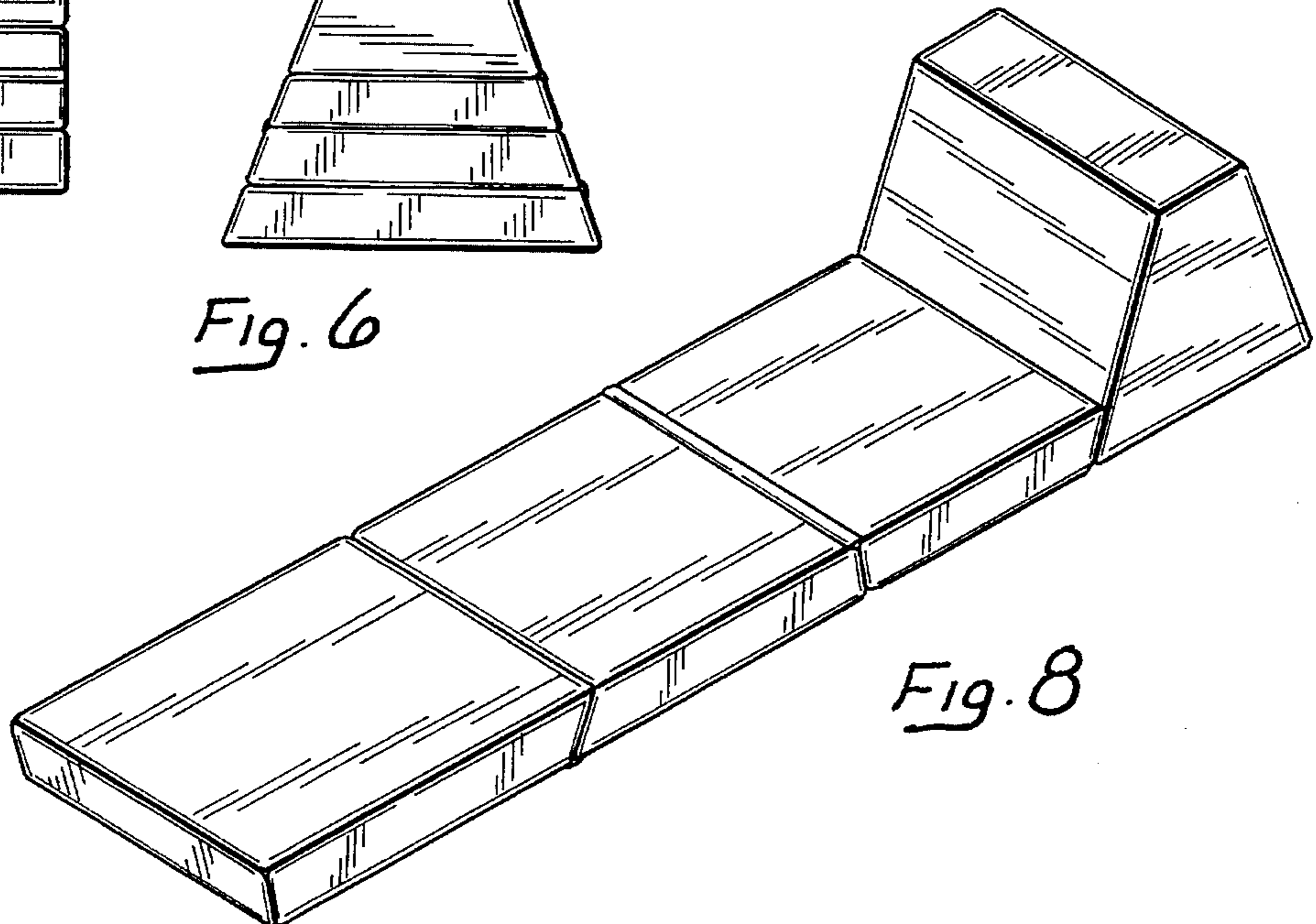


Fig. 8