



US00D376944S

United States Patent [19] Dunn

[11] Patent Number: **Des. 376,944**

[45] Date of Patent: ****Dec. 31, 1996**

[54] **GARAGE MAT WITH ADJUSTABLE TIRE INDICATOR**

5,217,785 6/1993 Thomas 428/99
5,266,378 11/1993 Stephenson et al. 188/32

[76] Inventor: **Michael T. Dunn**, 19841 Martinsville Rd., Belleville, Mich. 48111

Primary Examiner—B. J. Bullock
Assistant Examiner—Linda Brooks
Attorney, Agent, or Firm—Harold H. Dutton, Jr.; W. Charles L. Jamison; Diane S. Liebman

[**] Term: **14 Years**

[21] Appl. No.: **50,014**

[57] **CLAIM**

[22] Filed: **Feb. 6, 1996**

The ornamental design for a garage mat with adjustable tire indicator, as shown and described.

[52] U.S. Cl. **D6/582**

[58] Field of Search D6/582; D10/109;
D12/203; 296/97.23, 37.2; 280/851; 4/583;
5/417-420, 448, 464; 15/215-217; 428/119,
120

DESCRIPTION

FIG. 1 is a perspective view of a garage mat with adjustable tire indicator showing my new design;
FIG. 2 is a top view thereof;
FIG. 3 is a bottom view thereof;
FIG. 4 is a left side view thereof;
FIG. 5 is a front view thereof; and,
FIG. 6 is a rear view thereof.

The right side is a mirror image of FIG. 4.

[56] **References Cited**

U.S. PATENT DOCUMENTS

D. 339,560 9/1993 Byrd D12/203
D. 353,505 12/1994 Rea D6/582
3,435,480 4/1969 Mann, Jr. 15/215
4,789,247 12/1988 Schnoor 5/417

1 Claim, 4 Drawing Sheets

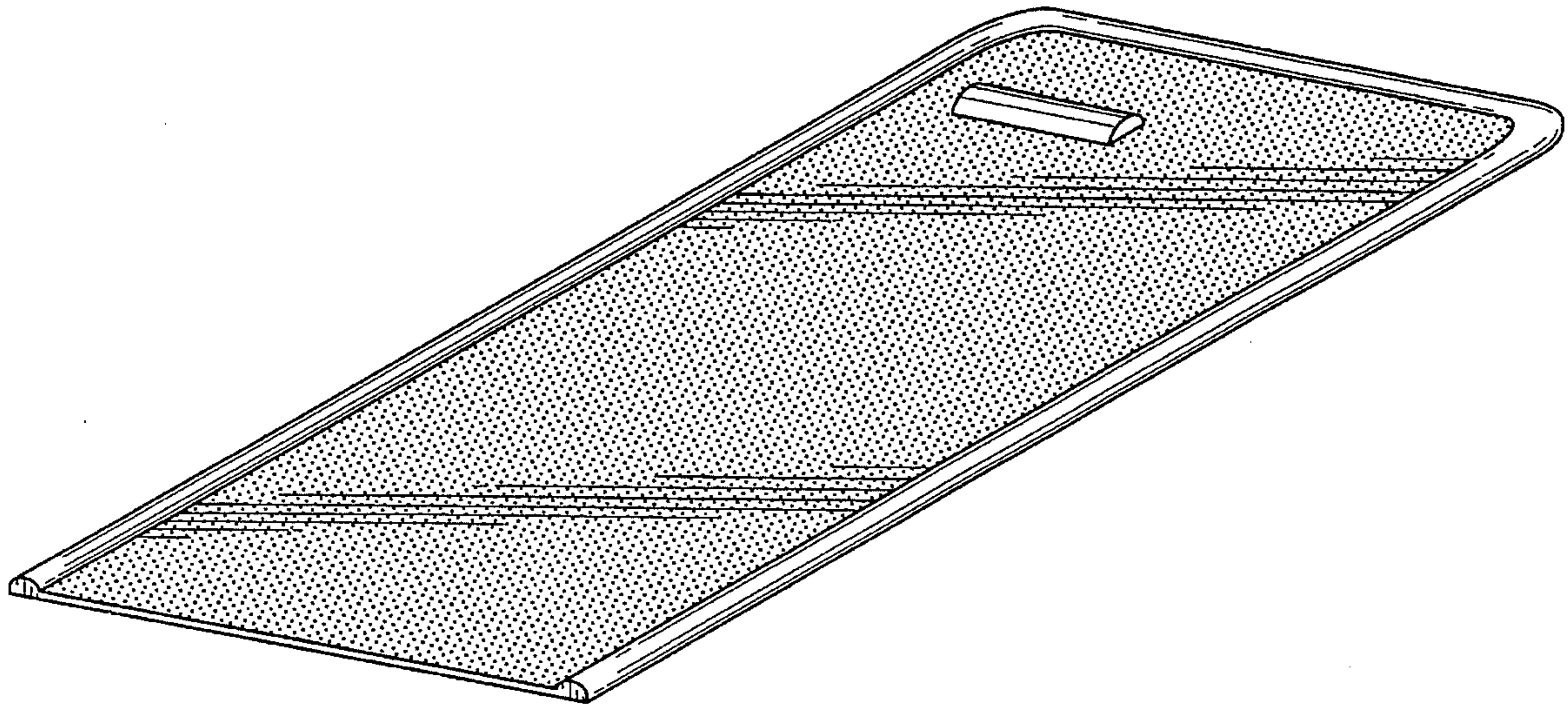
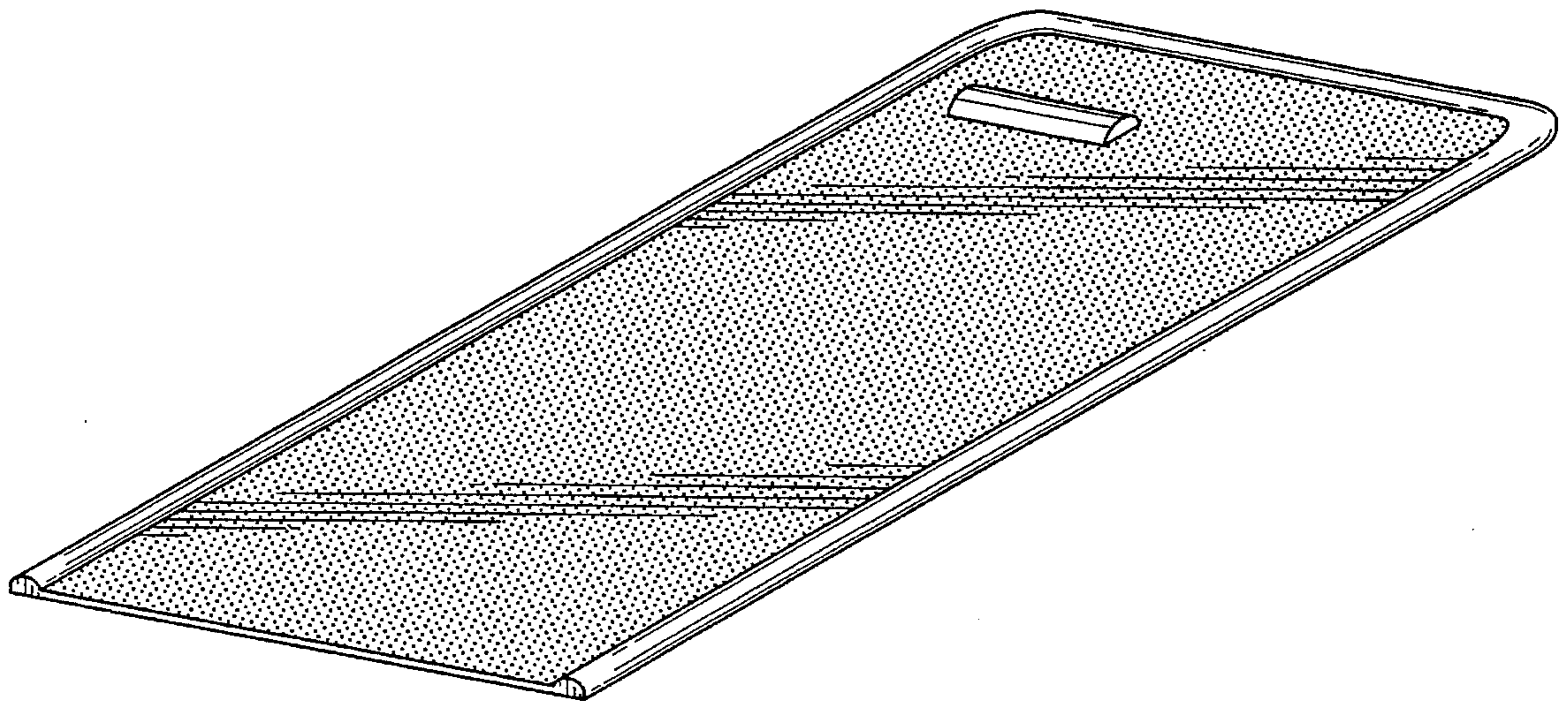


FIG. 1



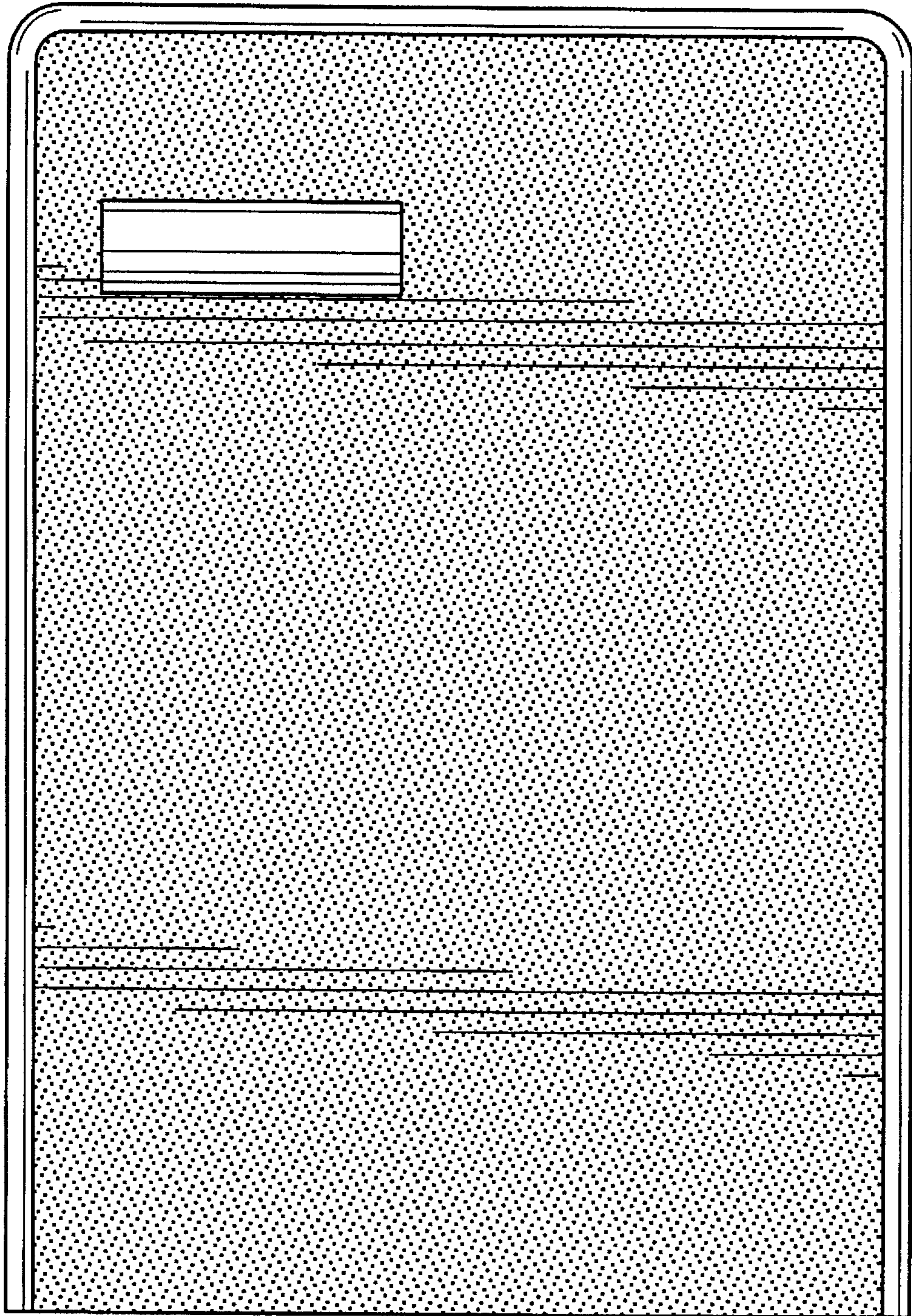


FIG. 2

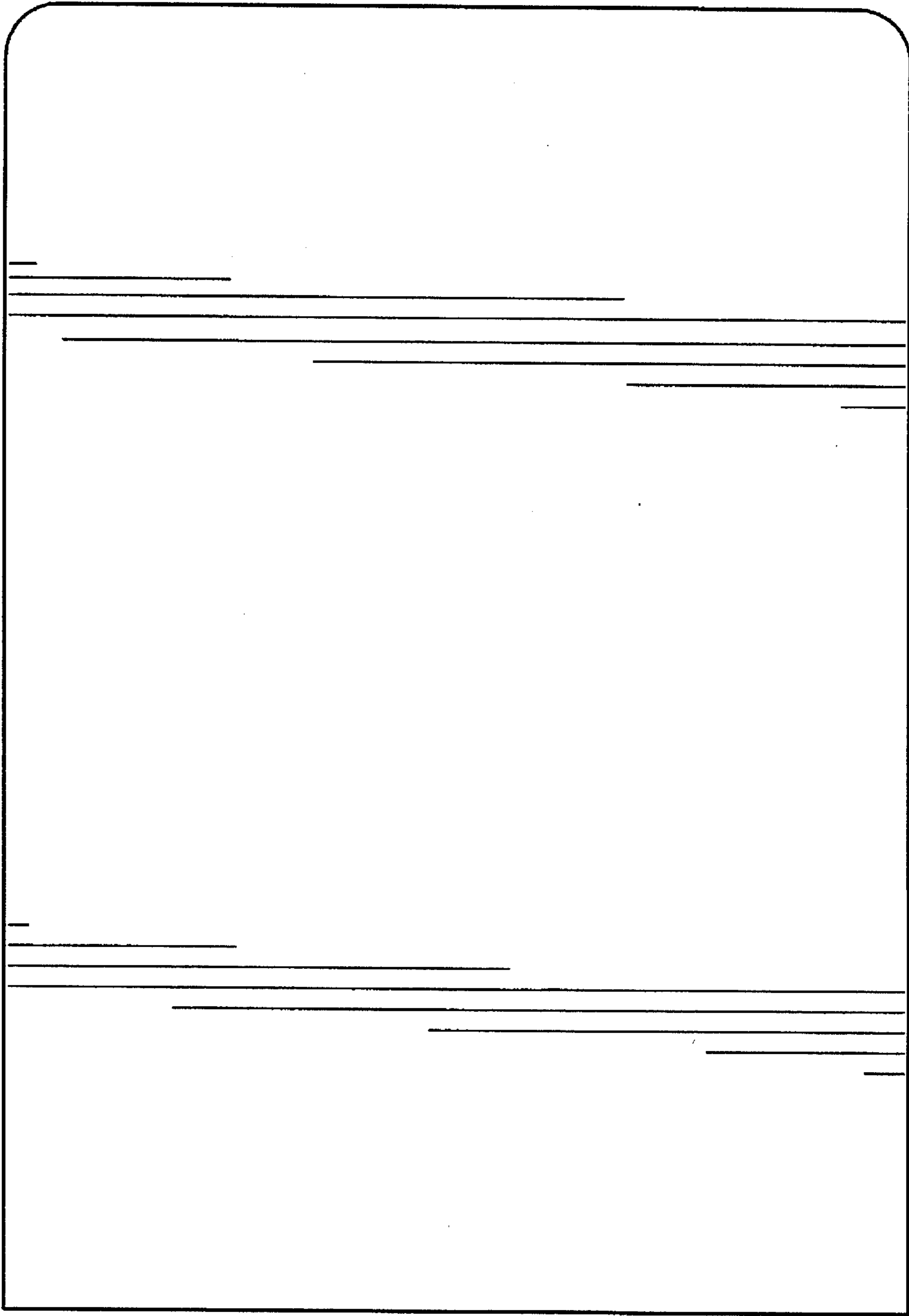


FIG. 3

FIG. 4

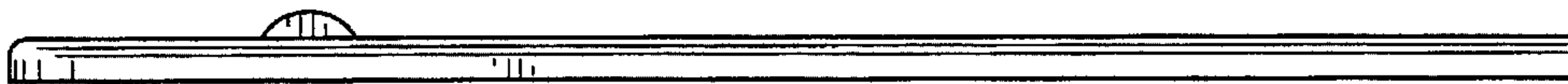


FIG. 5

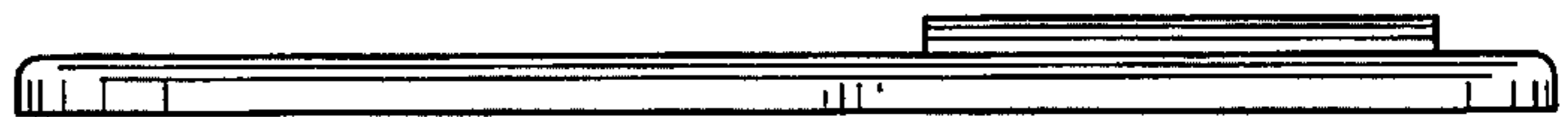


FIG. 6

