



US00D376943S

United States Patent [19]

Czyszon

[11] Patent Number: **Des. 376,943**

[45] Date of Patent: ****Dec. 31, 1996**

[54] **EXTENDER FOR ATTACHMENT TO A HOSPITAL OPERATING ROOM MAYO STAND**

D. 365,481	12/1995	McKeon	D6/513
3,095,835	7/1963	Smith	108/25 X
4,011,951	3/1977	Boyer	211/71

[76] Inventor: **Sharon Czyszon**, 9S631 Lorraine Dr., Hinsdale, Ill. 60521

Primary Examiner—Brian N. Vinson
Attorney, Agent, or Firm—Douglas B. White

[**] Term: **14 Years**

[57] **CLAIM**

[21] Appl. No.: **46,711**

The ornamental design for an extender for attachment to a hospital operating room mayo stand, as shown and described.

[22] Filed: **Oct. 26, 1995**

[52] U.S. Cl. **D6/567; D6/509**

DESCRIPTION

[58] **Field of Search** D6/512-513, 553, D6/567, 566, 509, 510, 511; D3/203; 108/25, 28, 180; 206/438; 211/13, 70.6, 70.7, 71, 74, 75, 86, 88, 126

FIG. 1 is a top, rear, and left side perspective view of an extender for attachment to a hospital operating room mayo stand showing my new design; FIG. 2 is a top plan view thereof; FIG. 3 is a left side elevational view thereof, the right side being a mirror image of that shown; FIG. 4 is a rear elevational view thereof; FIG. 5 is a bottom plan view thereof; and, FIG. 6 is a front elevational view thereof.

[56] References Cited

U.S. PATENT DOCUMENTS

D. 286,117	10/1986	Wellington	D6/509 X
D. 317,982	7/1991	Morales	D6/513 X
D. 355,552	2/1995	Whited et al.	D6/513

1 Claim, 3 Drawing Sheets

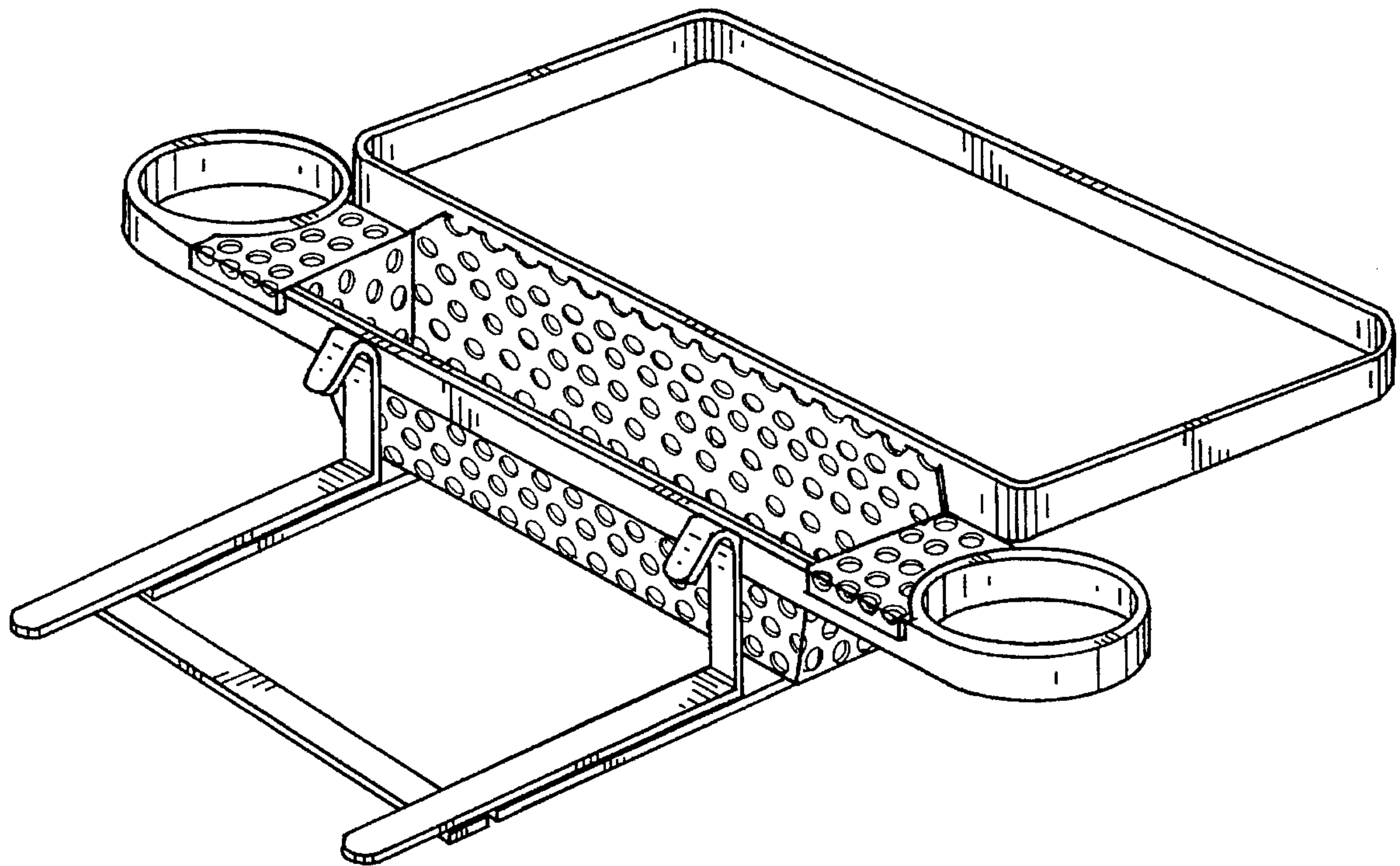


FIG. 1

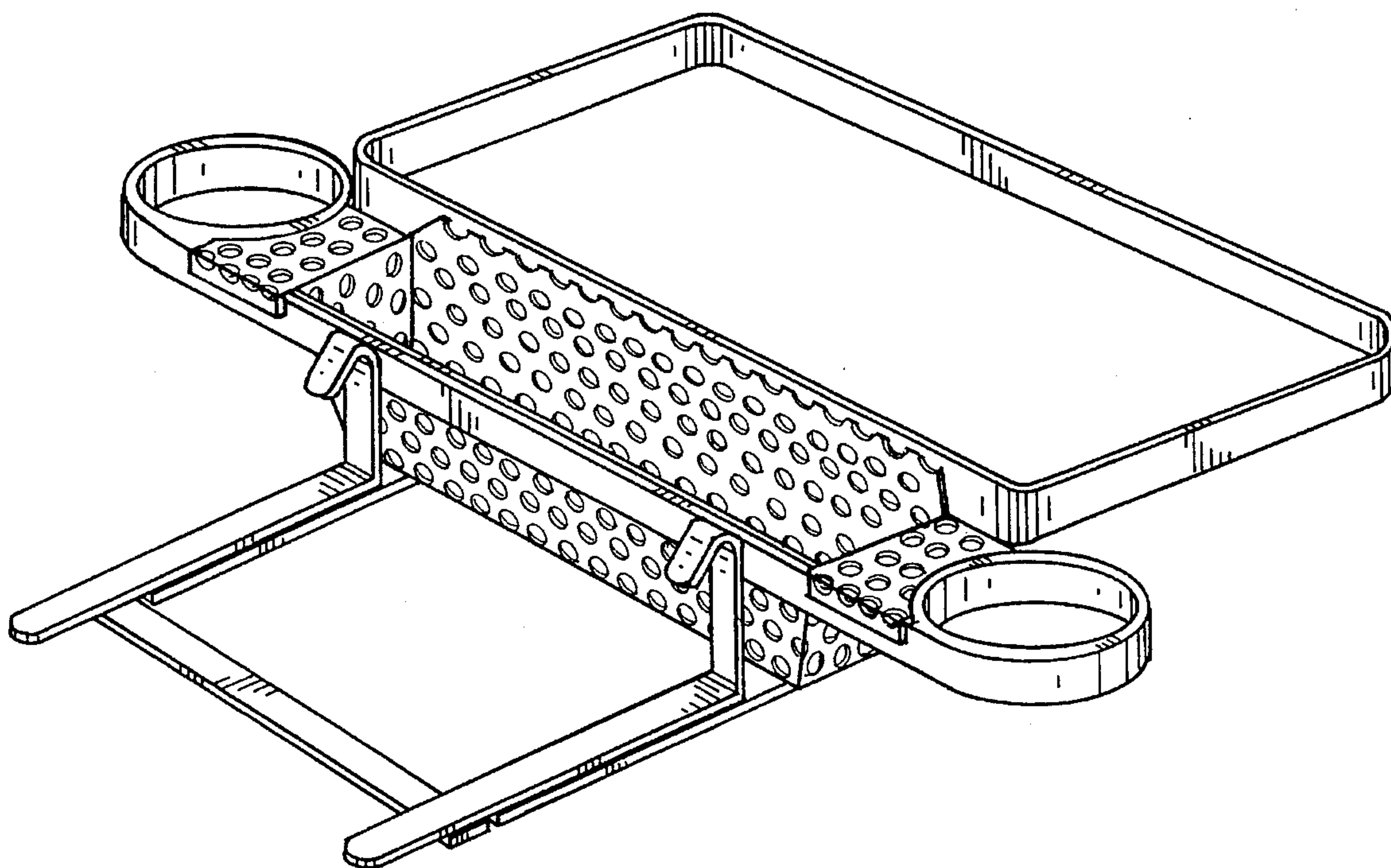


FIG. 2

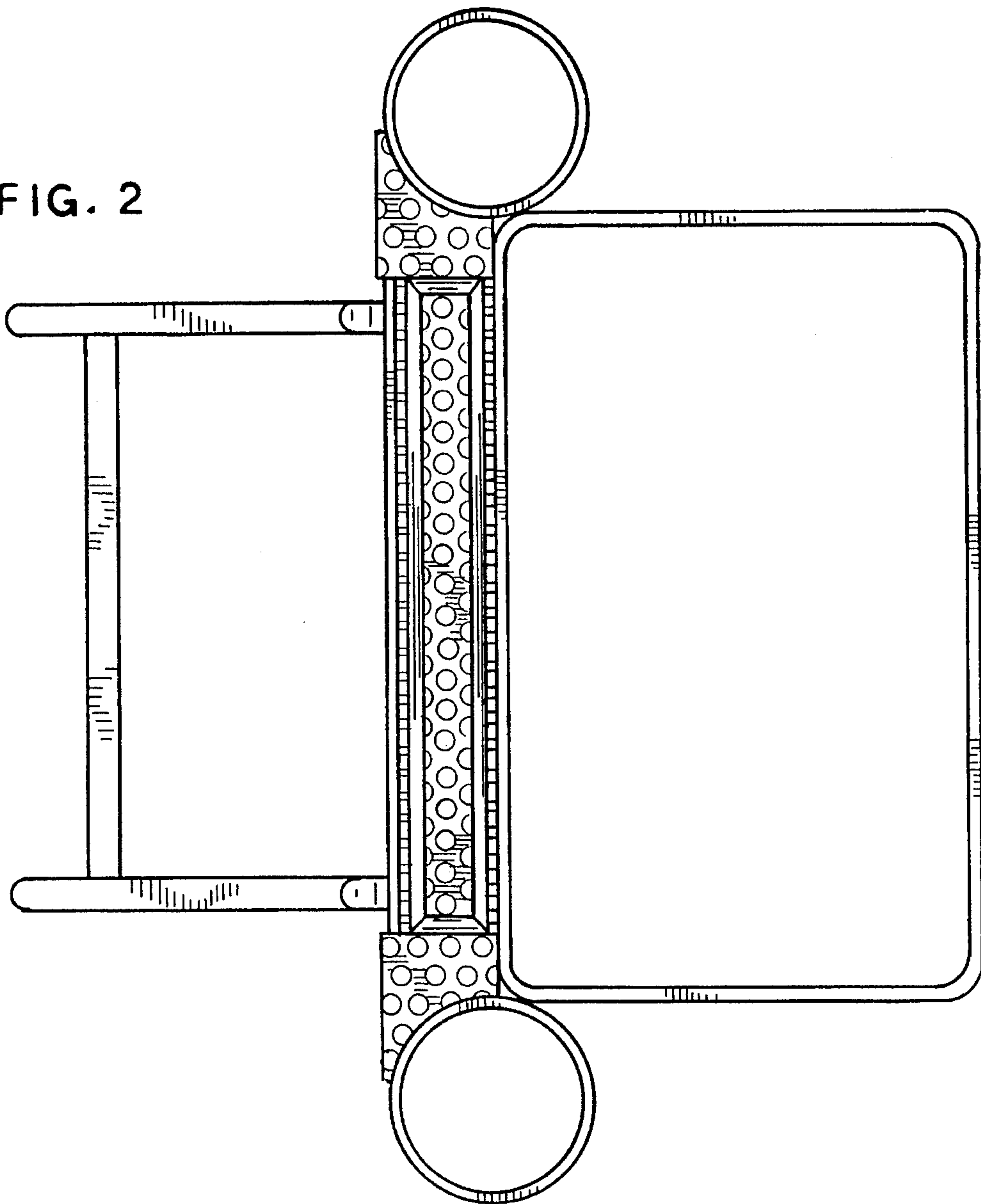


FIG. 3

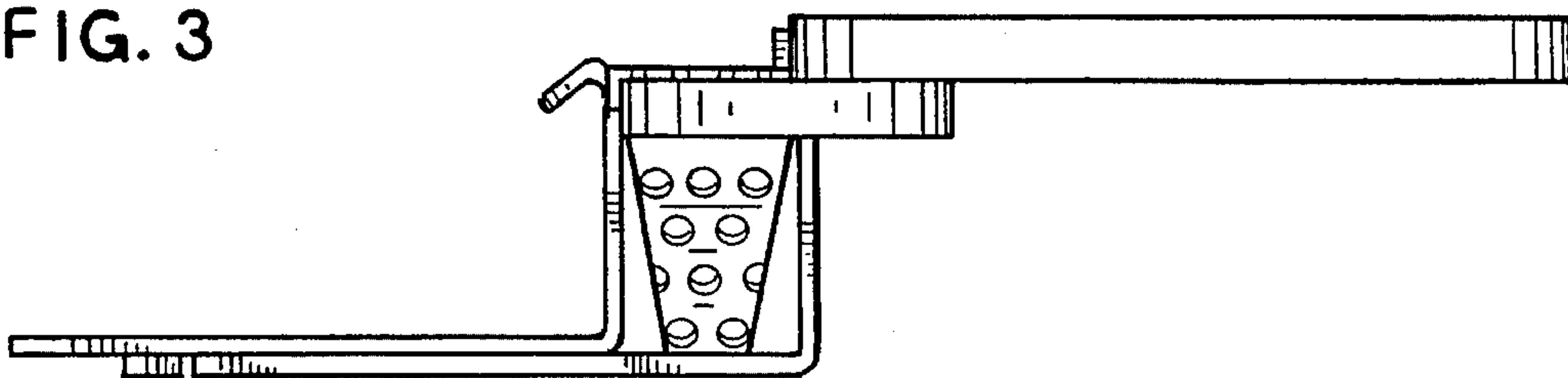


FIG. 4

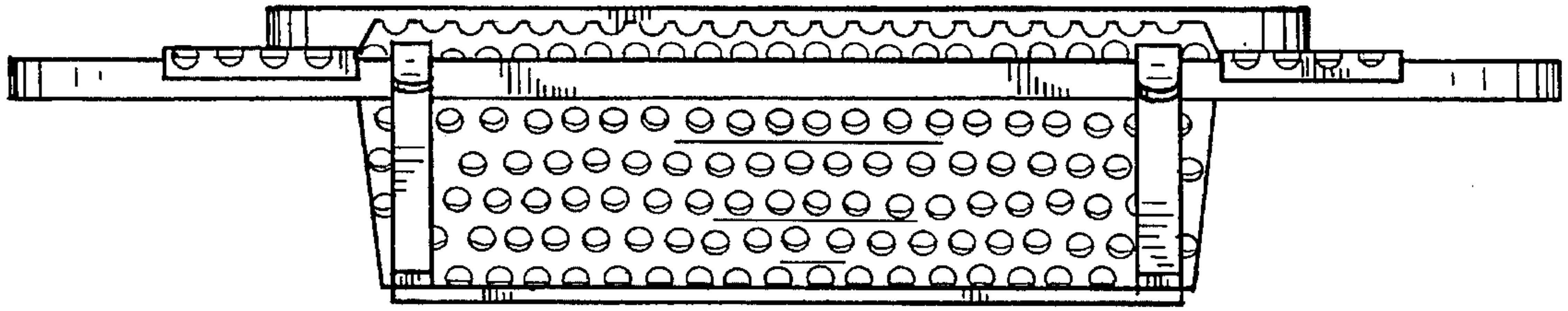


FIG. 5

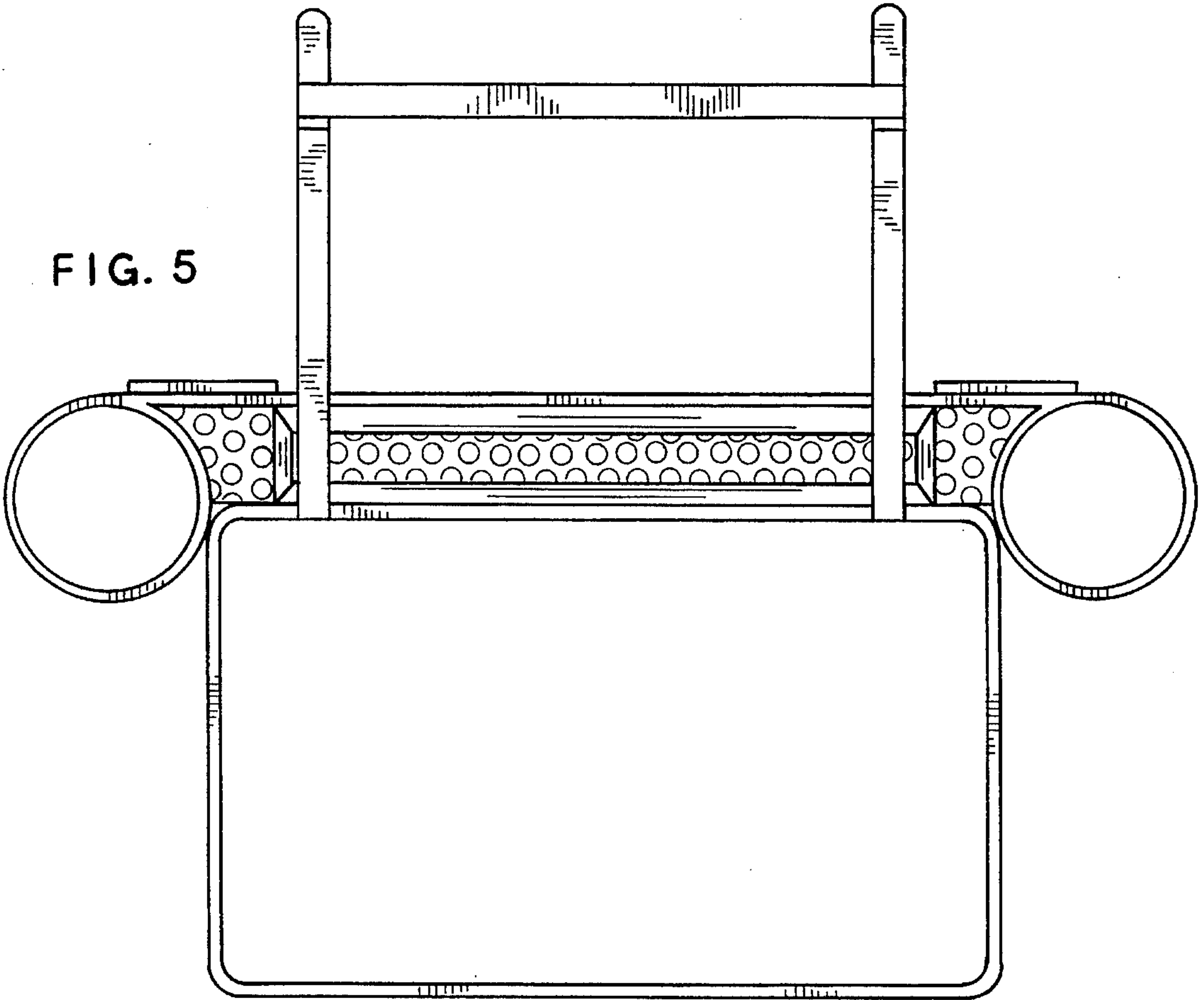


FIG. 6

