



US00D376942S

United States Patent [19] Munoz

[11] Patent Number: **Des. 376,942**

[45] Date of Patent: ****Dec. 31, 1996**

[54] **SHOWER CADDY**

3,789,966 2/1974 Stroh 211/119
3,923,162 12/1975 Hussey 211/119

[75] Inventor: **Raul Munoz**, Chicago, Ill.

[73] Assignee: **Selfix, Inc.**, Chicago, Ill.

[**] Term: **14 Years**

Primary Examiner—Brian N., Vinson
Attorney, Agent, or Firm—Dressler, Goldsmith, Milnamow & Katz, Ltd.

[21] Appl. No.: **48,344**

[22] Filed: **Dec. 26, 1995**

[52] U.S. Cl. **D6/525**

[58] Field of Search D6/524-525; 211/13,
211/49.1, 60.1, 70.6, 71, 74-75, 86-88,
90, 119, 128, 134, 181; 248/108, 109, 175,
176

[57] CLAIM

The ornamental design for a shower caddy, as shown and described.

DESCRIPTION

FIG. 1 is a perspective view of a shower caddy, showing my new design;
FIG. 2 is a right side elevational view thereof;
FIG. 3 is a left side elevational view thereof;
FIG. 4 is a front elevational view thereof;
FIG. 5 is a top plan view thereof;
FIG. 6 is a rear elevational view thereof; and,
FIG. 7 is a bottom plan view thereof.

[56] References Cited

U.S. PATENT DOCUMENTS

D. 315,840	4/1991	Emery	D6/525
D. 351,750	10/1994	Sweeney	D6/525
D. 367,790	3/1996	Munoz	D6/525
D. 368,614	4/1996	Munoz	D6/566

1 Claim, 4 Drawing Sheets

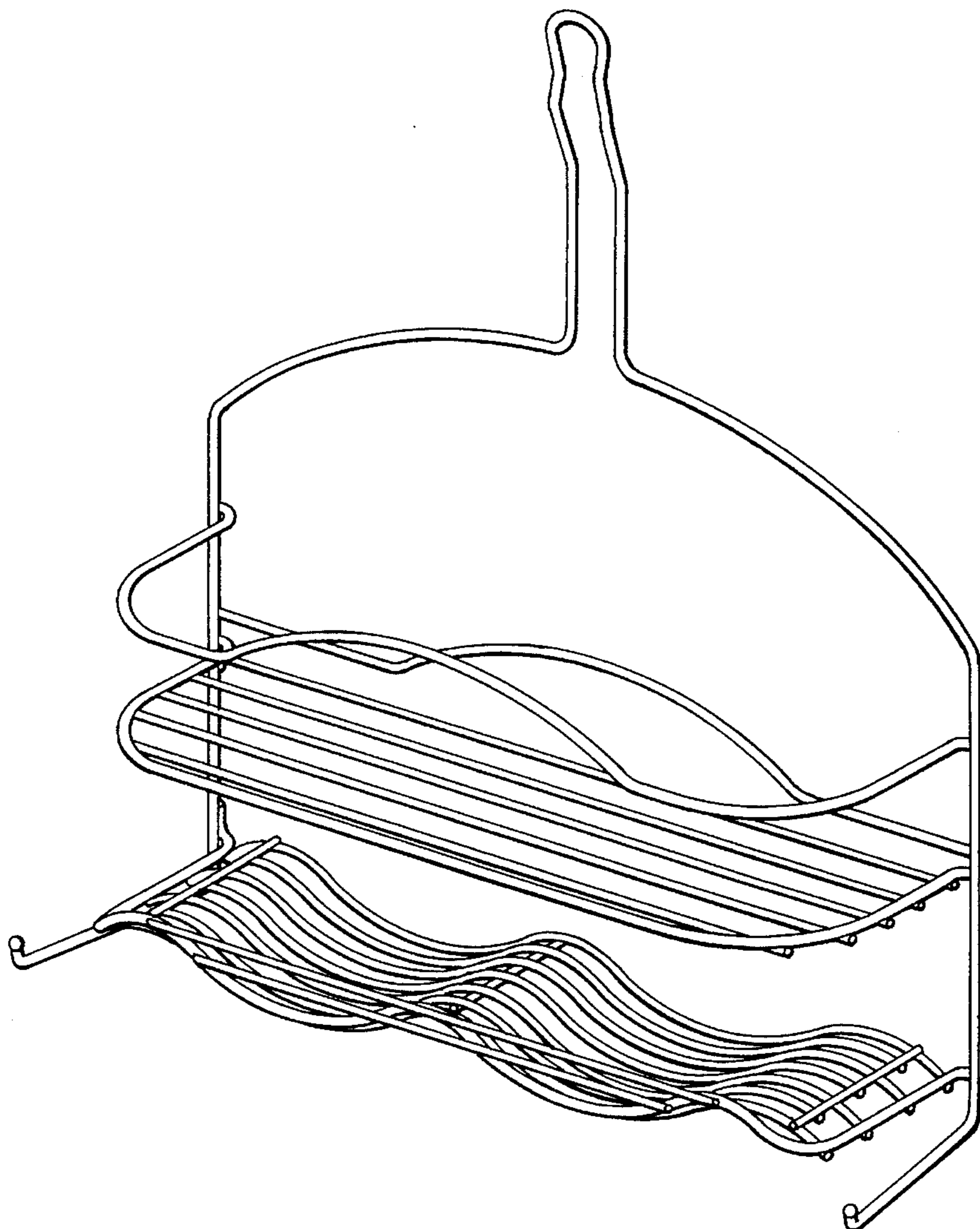


FIG. 1

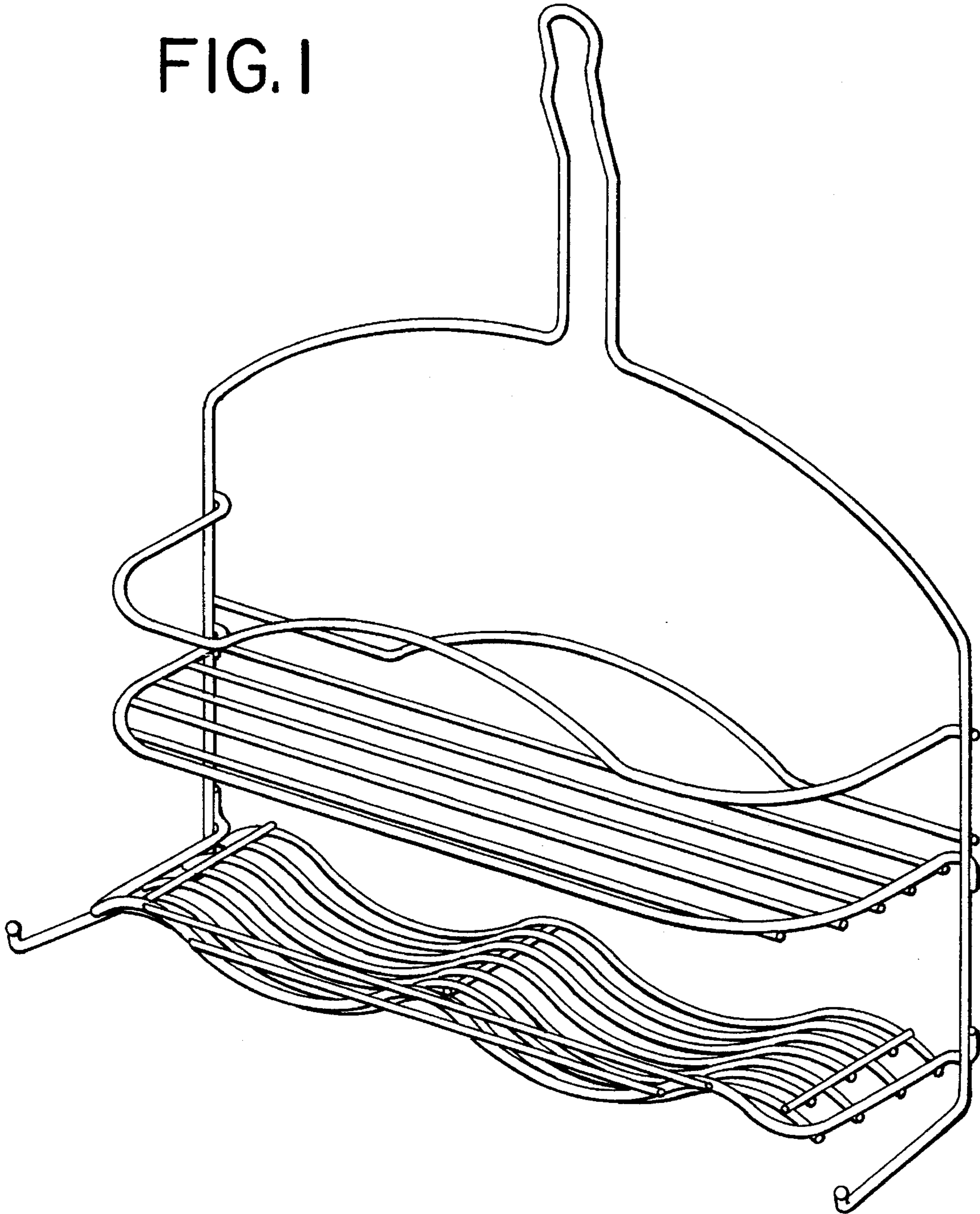


FIG. 2

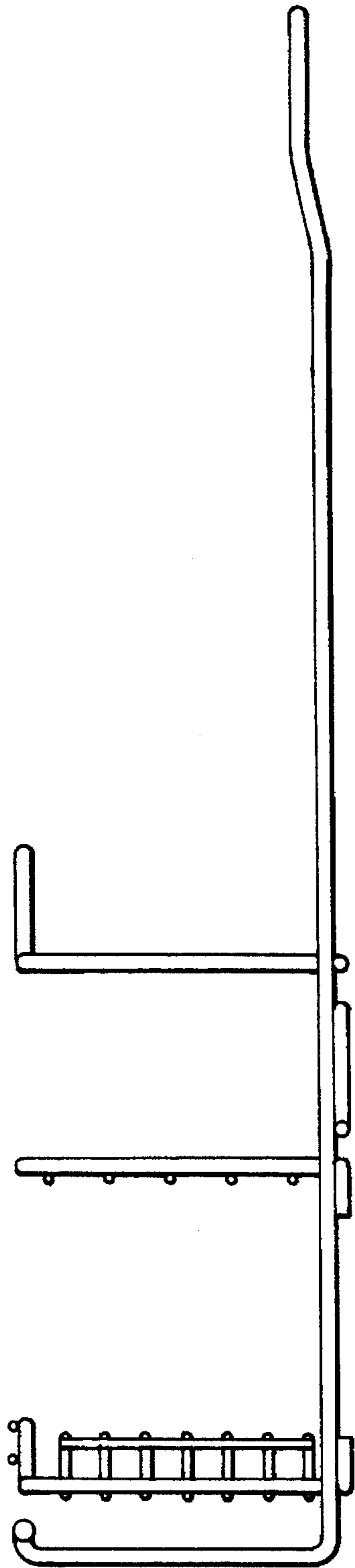


FIG. 3

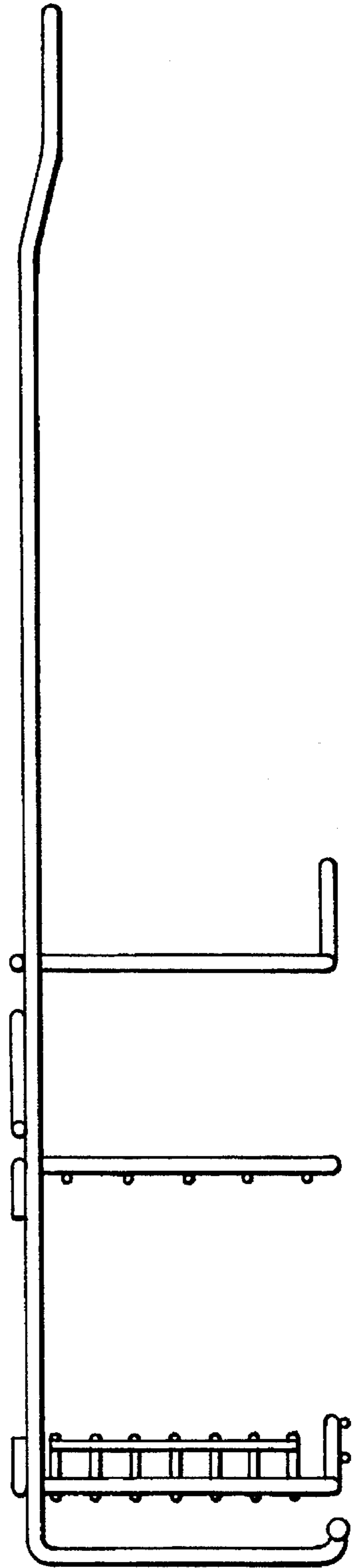


FIG. 5

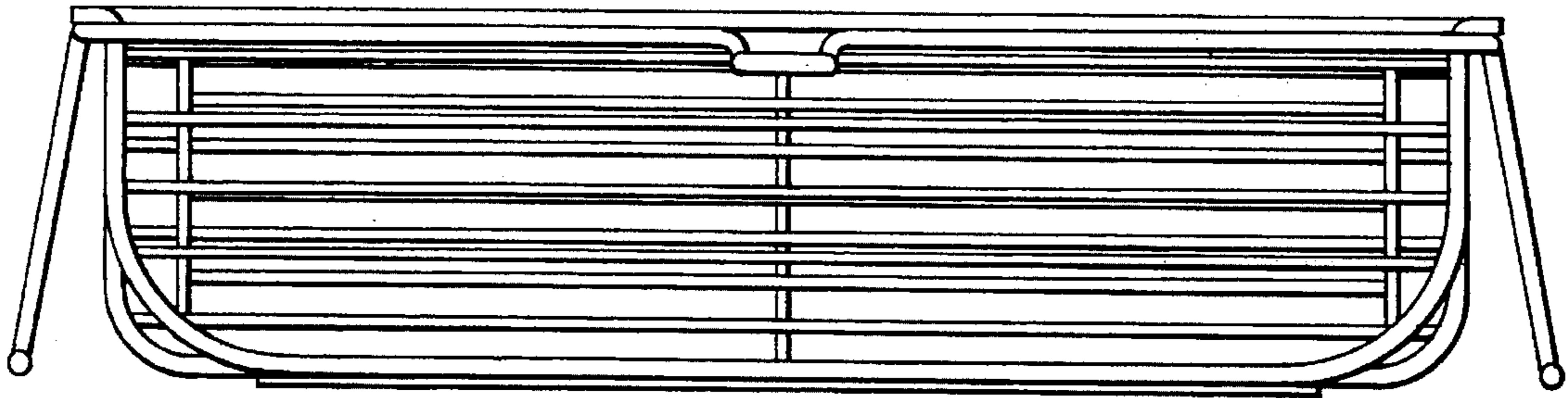


FIG. 4

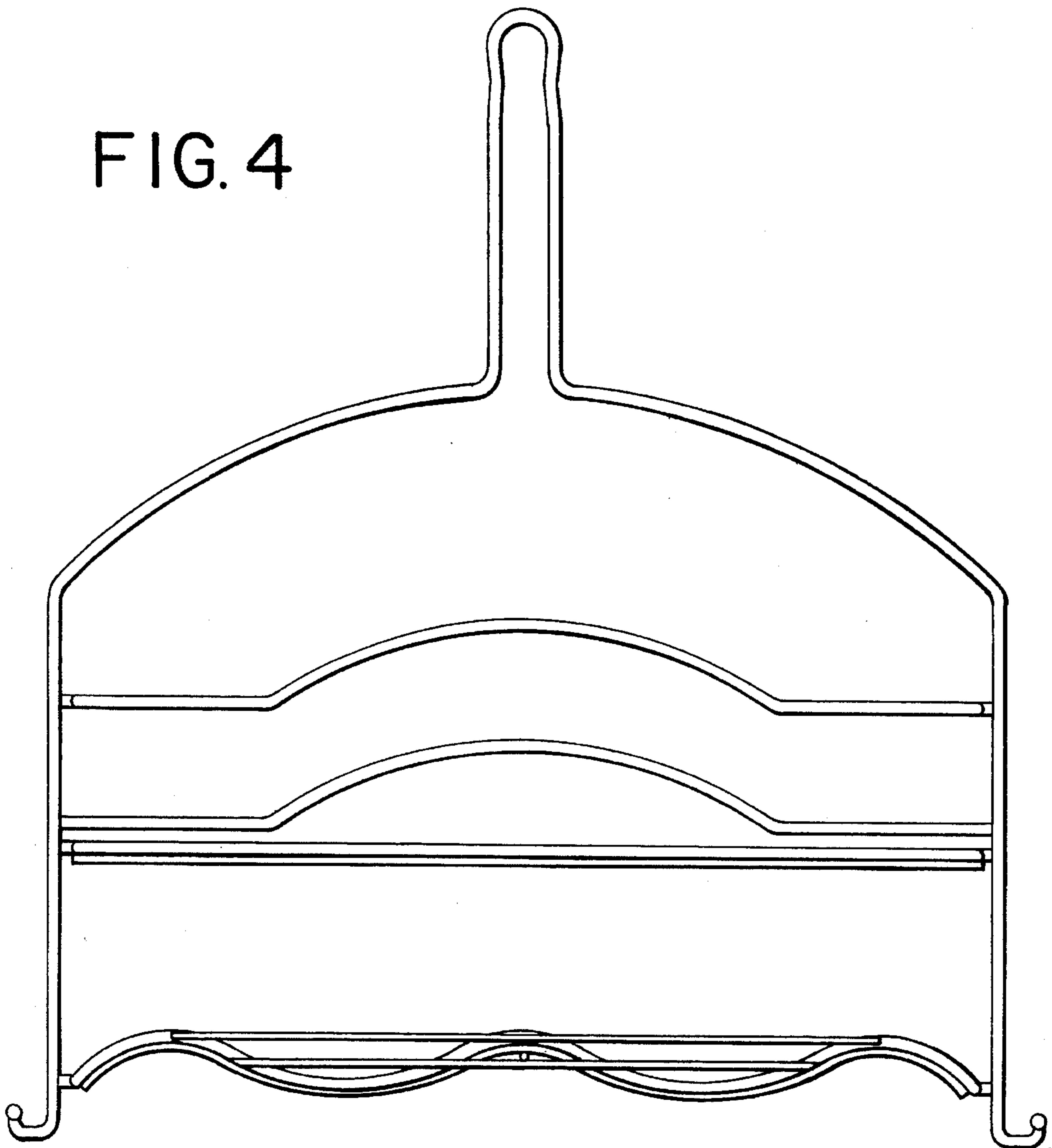


FIG.6

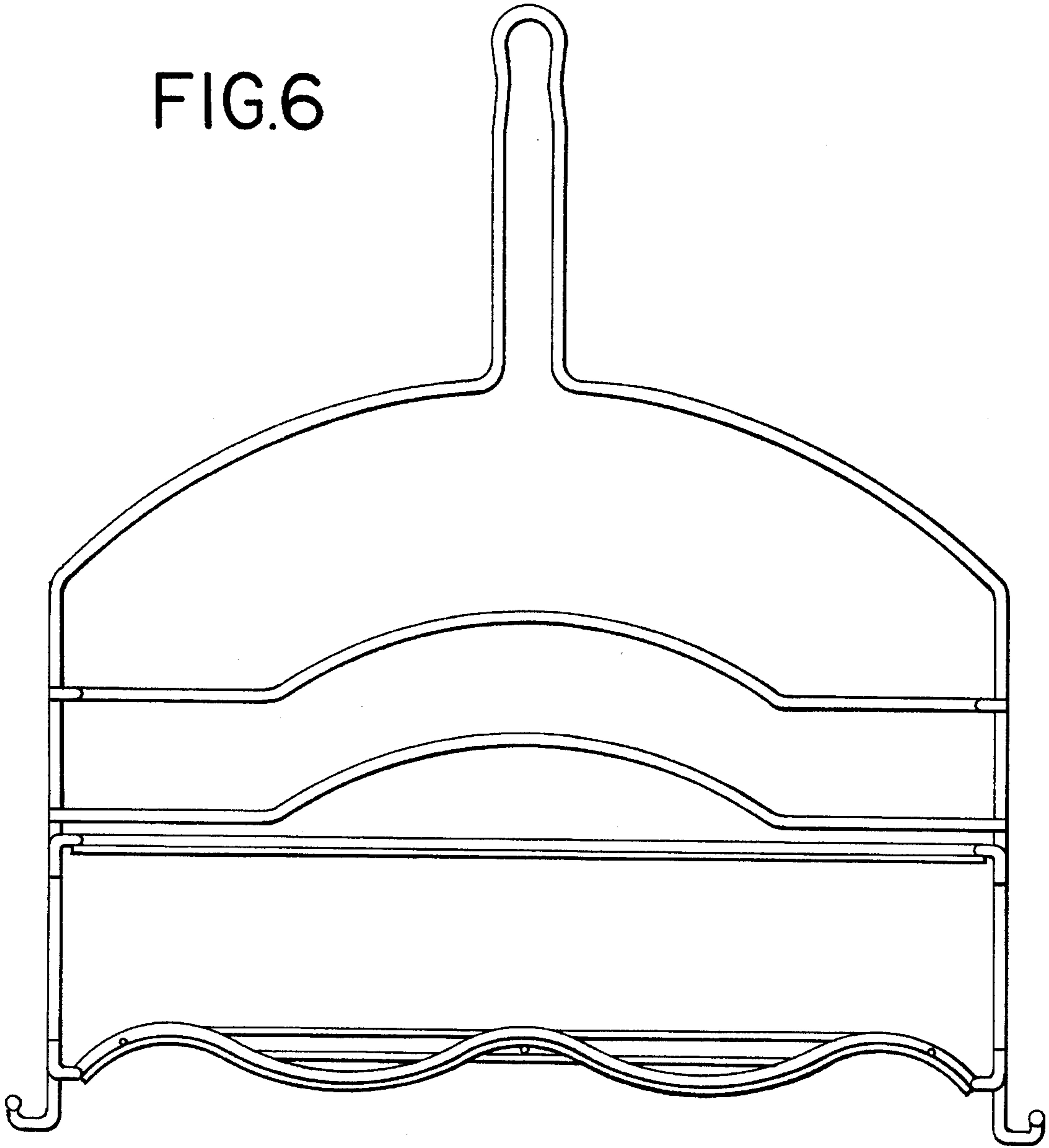


FIG.7

