



US00D376941S

# United States Patent [19]

[11] Patent Number: **Des. 376,941**

Munoz et al.

[45] Date of Patent: **\*\*Dec. 31, 1996**

[54] **SHOWER CADDY**

3,923,162	12/1975	Hussey	.....	211/119
4,387,811	6/1983	Ragir et al.	.....	211/119
4,598,891	7/1986	Hanert	.....	211/119

[75] Inventors: **Raul Munoz**, Chicago, Ill.; **Patrick R. Welsh**, Wilmington, Del.; **Robert W. Matthes**, Mechanicsville, Pa.

*Primary Examiner*—Louis S. Zarfes  
*Assistant Examiner*—Gregory Andoll  
*Attorney, Agent, or Firm*—Dressler, Goldsmith, Milnamow & Katz, Ltd.

[73] Assignee: **Selfix, Inc.**, Chicago, Ill.

[\*\*] Term: **14 Years**

### [57] CLAIM

[21] Appl. No.: **42,524**

The ornamental design for a shower caddy, as shown and described.

[22] Filed: **Aug. 11, 1995**

[52] U.S. Cl. .... **D6/525; D6/566; D23/304**

### DESCRIPTION

[58] Field of Search ..... **D23/304, 303; D6/525, 566; 211/88, 106, 113, 119, 181**

FIG. 1 is perspective view of a shower caddy showing our new design;

### [56] References Cited

#### U.S. PATENT DOCUMENTS

D. 194,307	1/1963	Raphael	.....	D6/525
D. 285,509	9/1986	Sussman	.....	D6/525
D. 315,840	5/1991	Emery	.....	D6/525
D. 348,369	7/1994	Nakamura	.....	D6/525
D. 349,205	8/1994	Khuhawar	.....	D6/525
D. 351,750	10/1994	Sweeney	.....	D6/525
505,360	9/1893	Hillard	.....	211/106
3,789,996	2/1974	Stroh	.....	211/119

FIG. 2 is a front elevational view thereof;

FIG. 3 is a right side elevational view thereof;

FIG. 4 is a rear elevational view thereof;

FIG. 5 is a left side elevational view thereof;

FIG. 6 is a top plan view thereof; and,

FIG. 7 is bottom plan view thereof.

The broken line showing of the bottles and securement suction cups is for illustrative purposes only and forms no part of the claimed design.

**1 Claim, 4 Drawing Sheets**

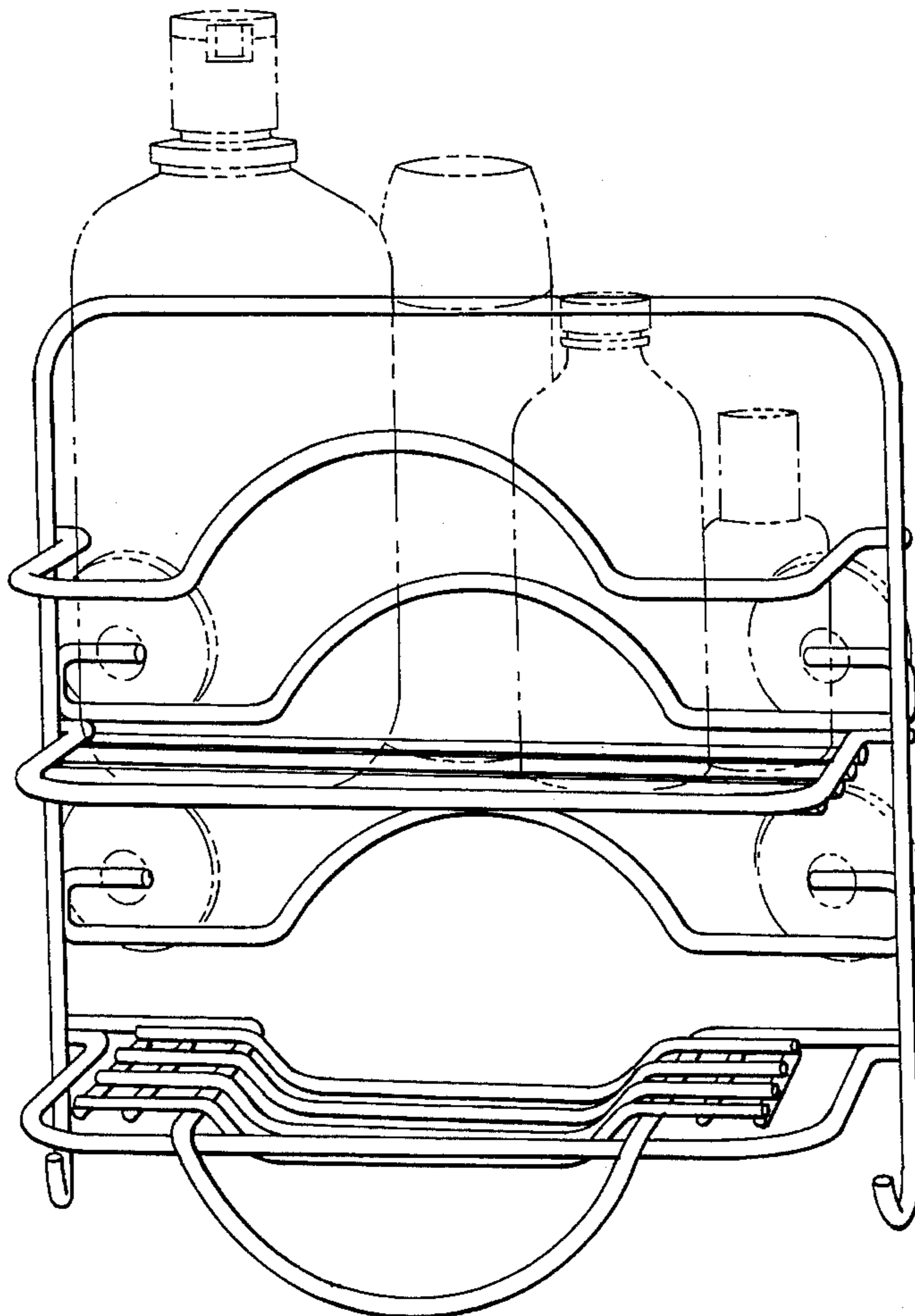


FIG. 1

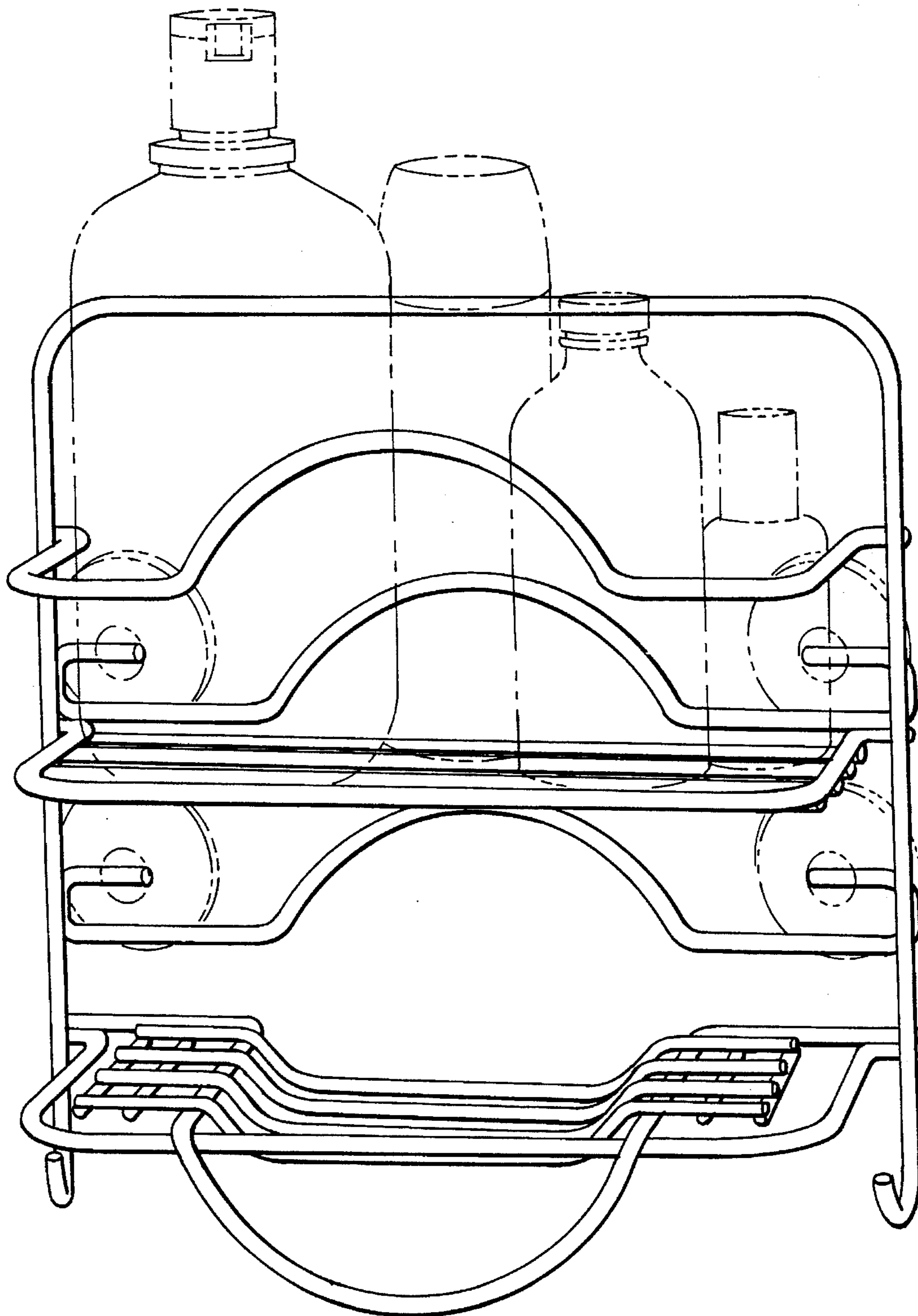


FIG.3

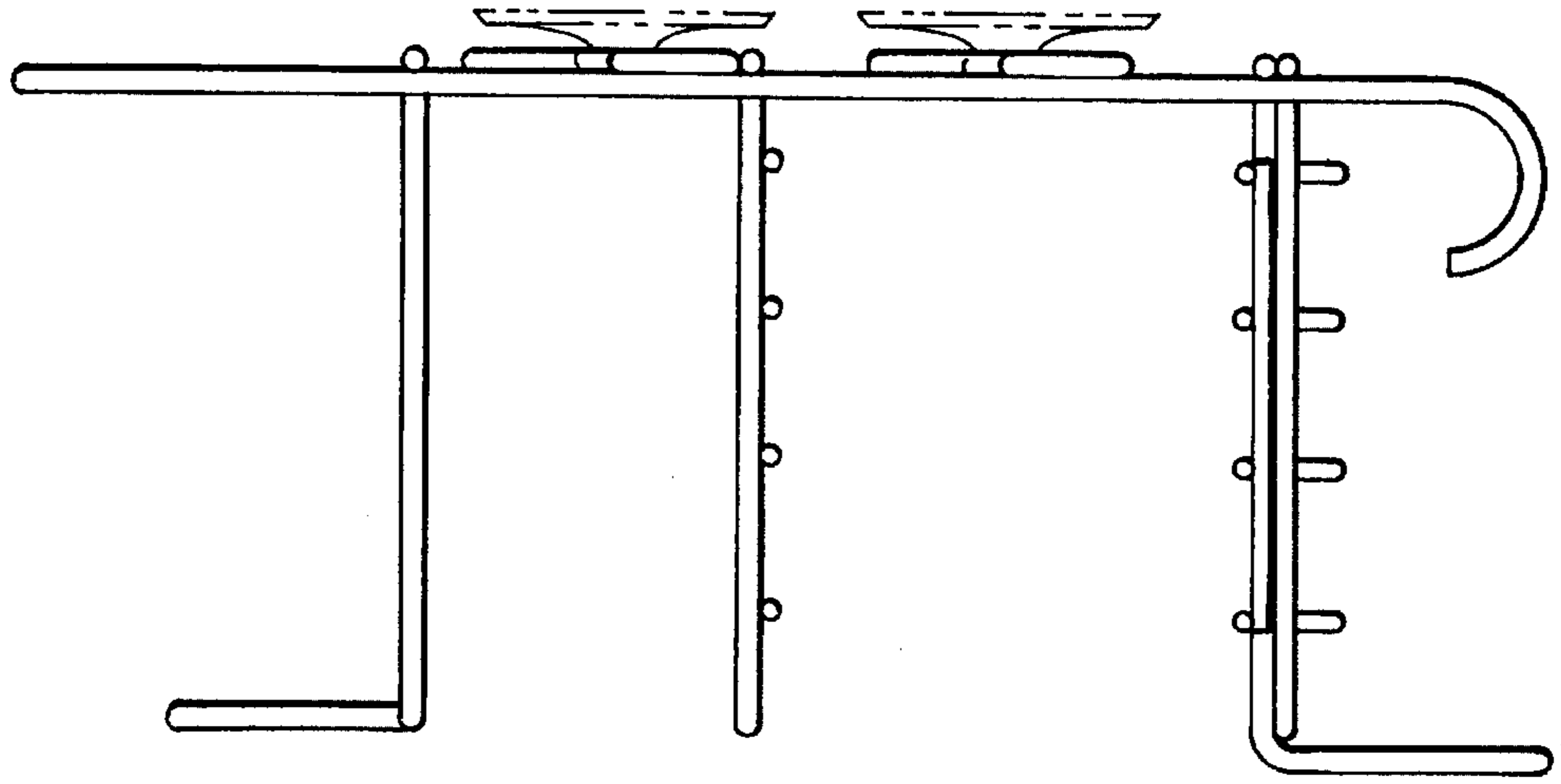


FIG.2

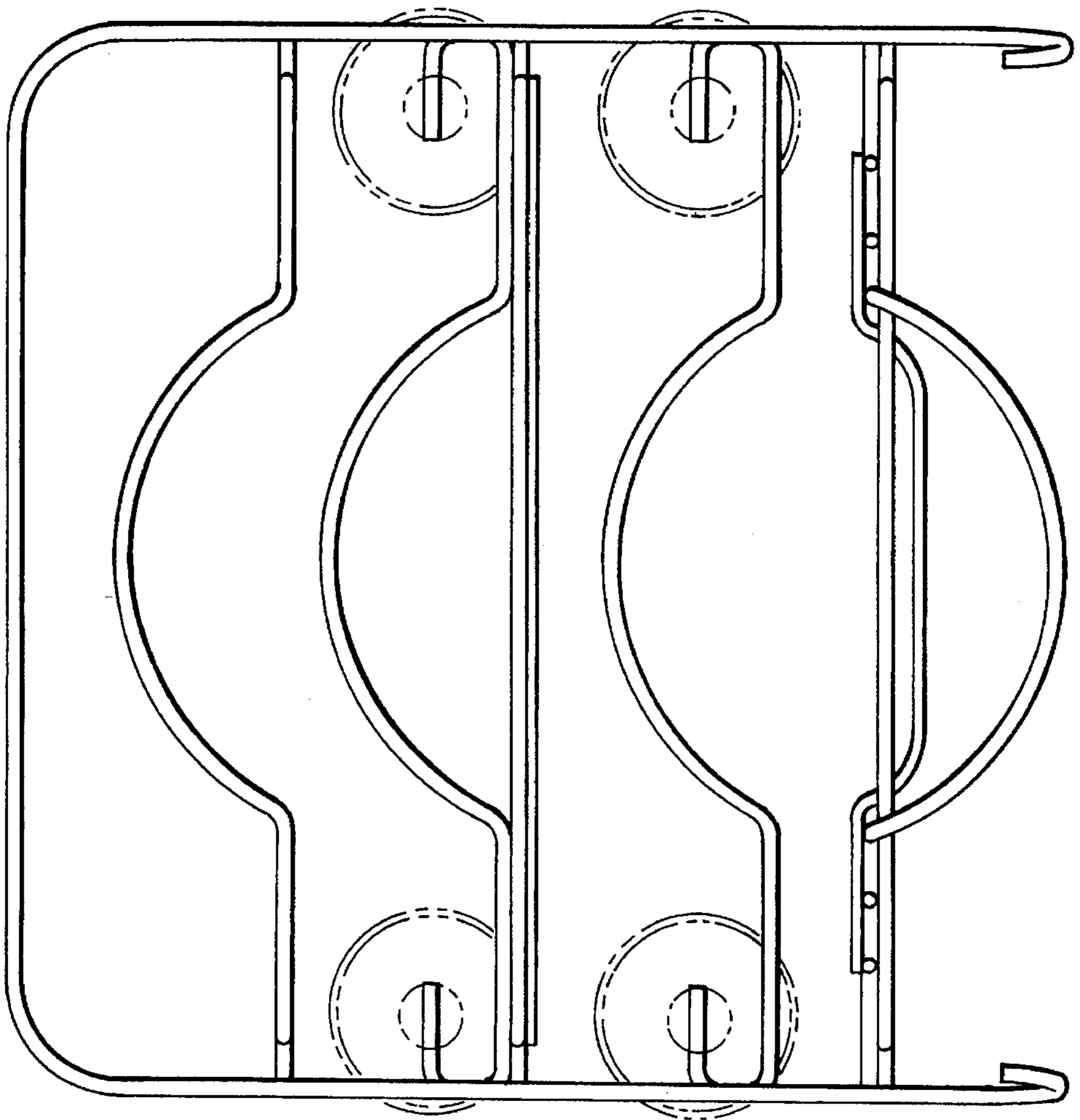


FIG. 5

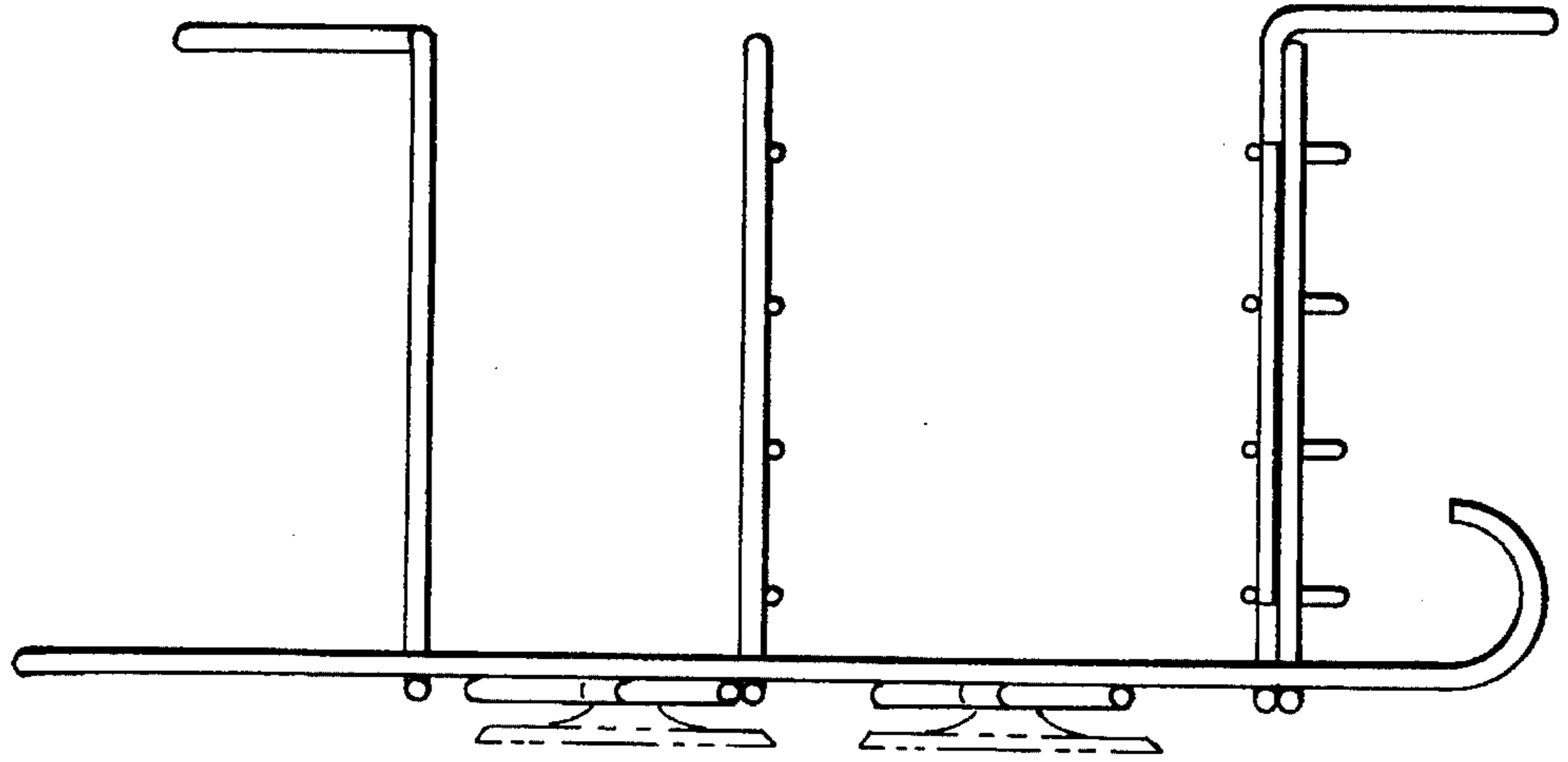


FIG. 4

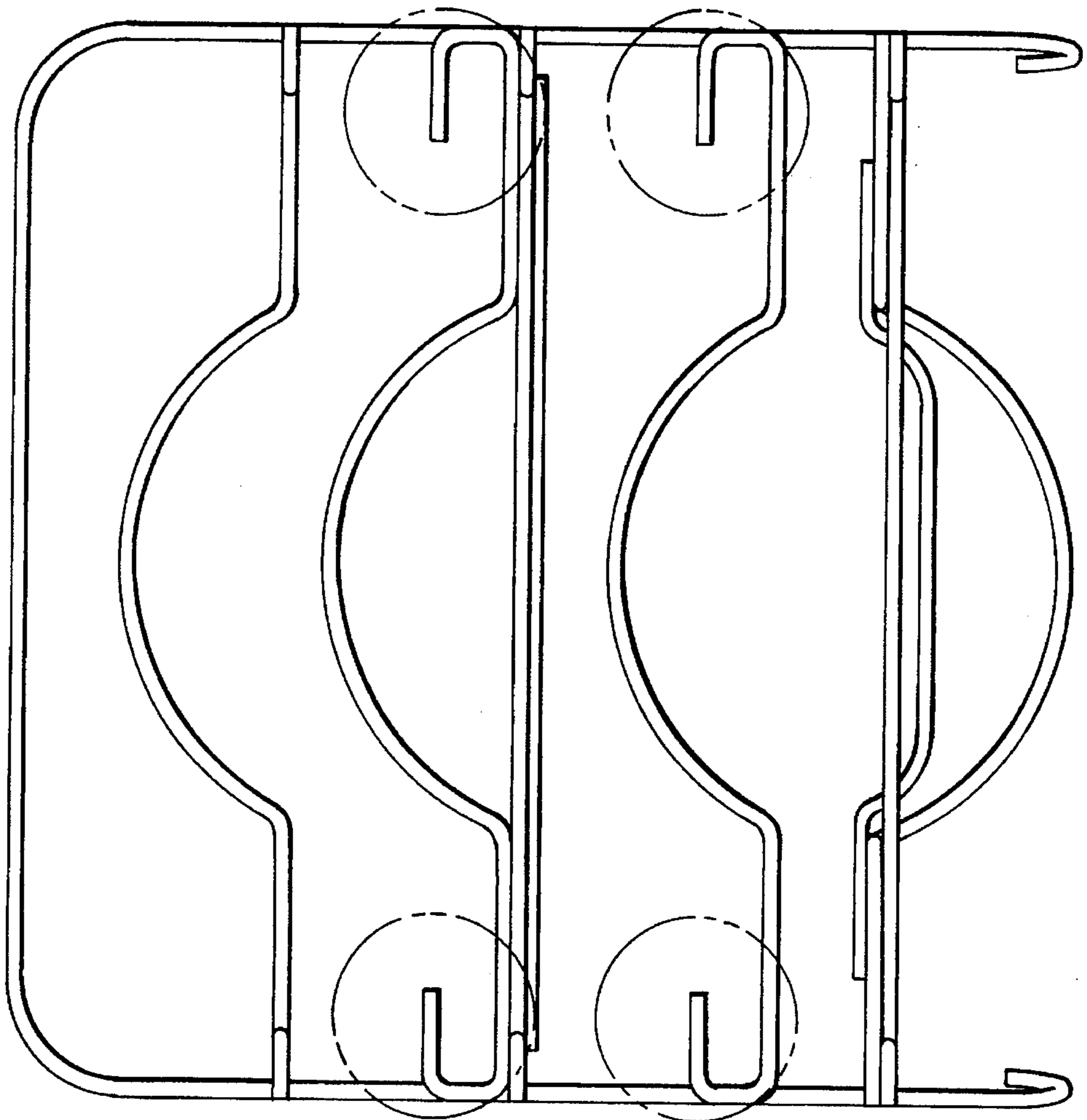




FIG. 6

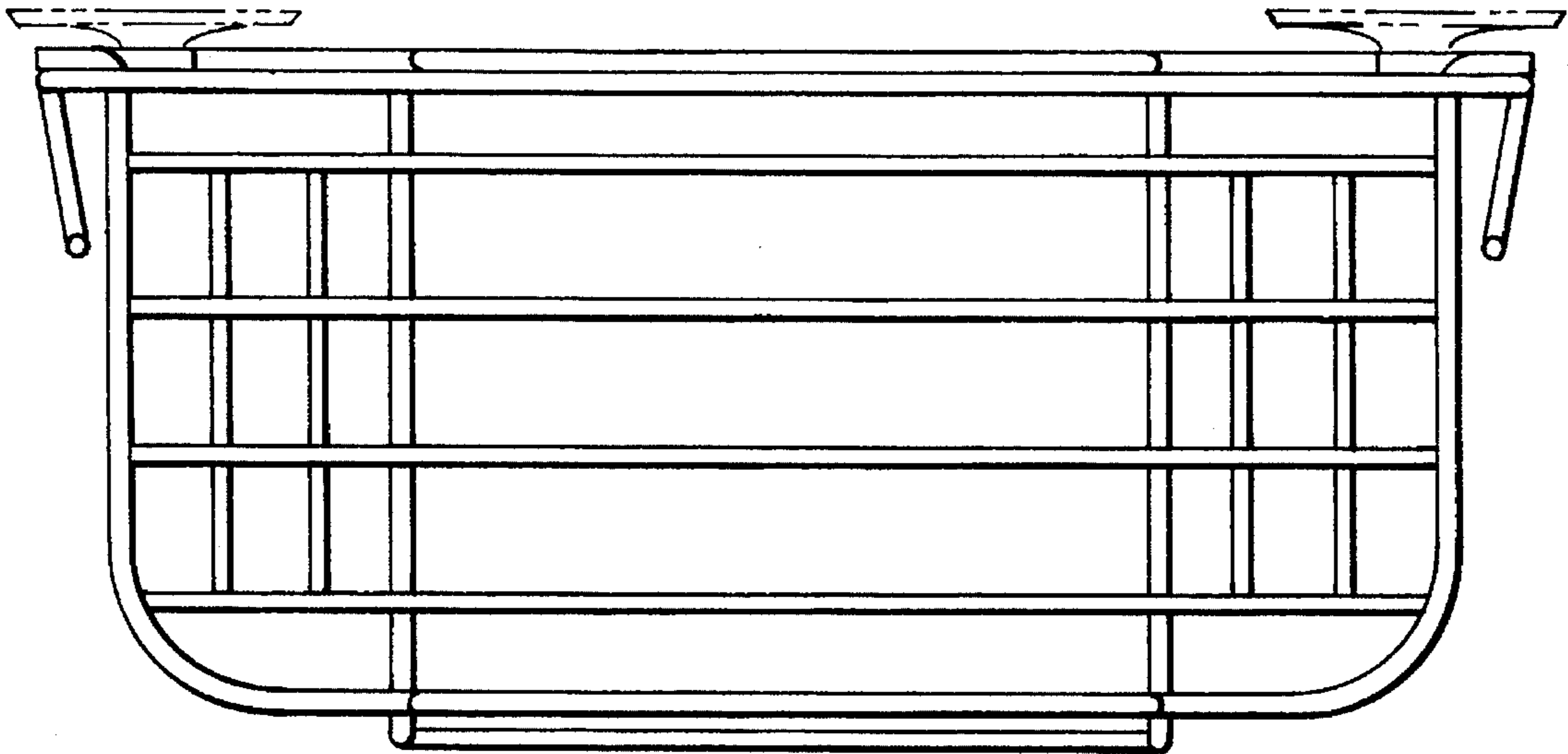


FIG. 7

