



US00D376939S

**United States Patent** [19]  
**Credle, Sr.**

[11] **Patent Number: Des. 376,939**

[45] **Date of Patent: \*\*Dec. 31, 1996**

[54] **CLAMSHELL TABLE TOP**

[76] **Inventor: Michael T. Credle, Sr., 1205 Wilson Rd., Smithfield, Va. 23430**

[\*\*] **Term: 14 Years**

[21] **Appl. No.: 31,861**

[22] **Filed: Dec. 7, 1994**

[52] **U.S. Cl. .... D6/511**

[58] **Field of Search ..... D6/449, 450, 451, D6/509, 510, 511, 482, 480, 486; 108/50; 312/194, 195, 196**

[56] **References Cited**

**U.S. PATENT DOCUMENTS**

D. 163,617	6/1951	Lilja .....	D6/467 X
D. 286,598	11/1986	Berry, Jr. ....	D6/511
D. 328,209	7/1992	Knaub et al. ....	D6/511
2,389,349	11/1945	Eastman .....	108/42
2,522,442	9/1950	Garris .....	108/42
3,295,473	1/1967	Wentworth .....	108/44
3,622,456	11/1971	Pugsley .....	108/59 X

*Primary Examiner*—B. J. Bullock  
*Assistant Examiner*—Linda Brooks

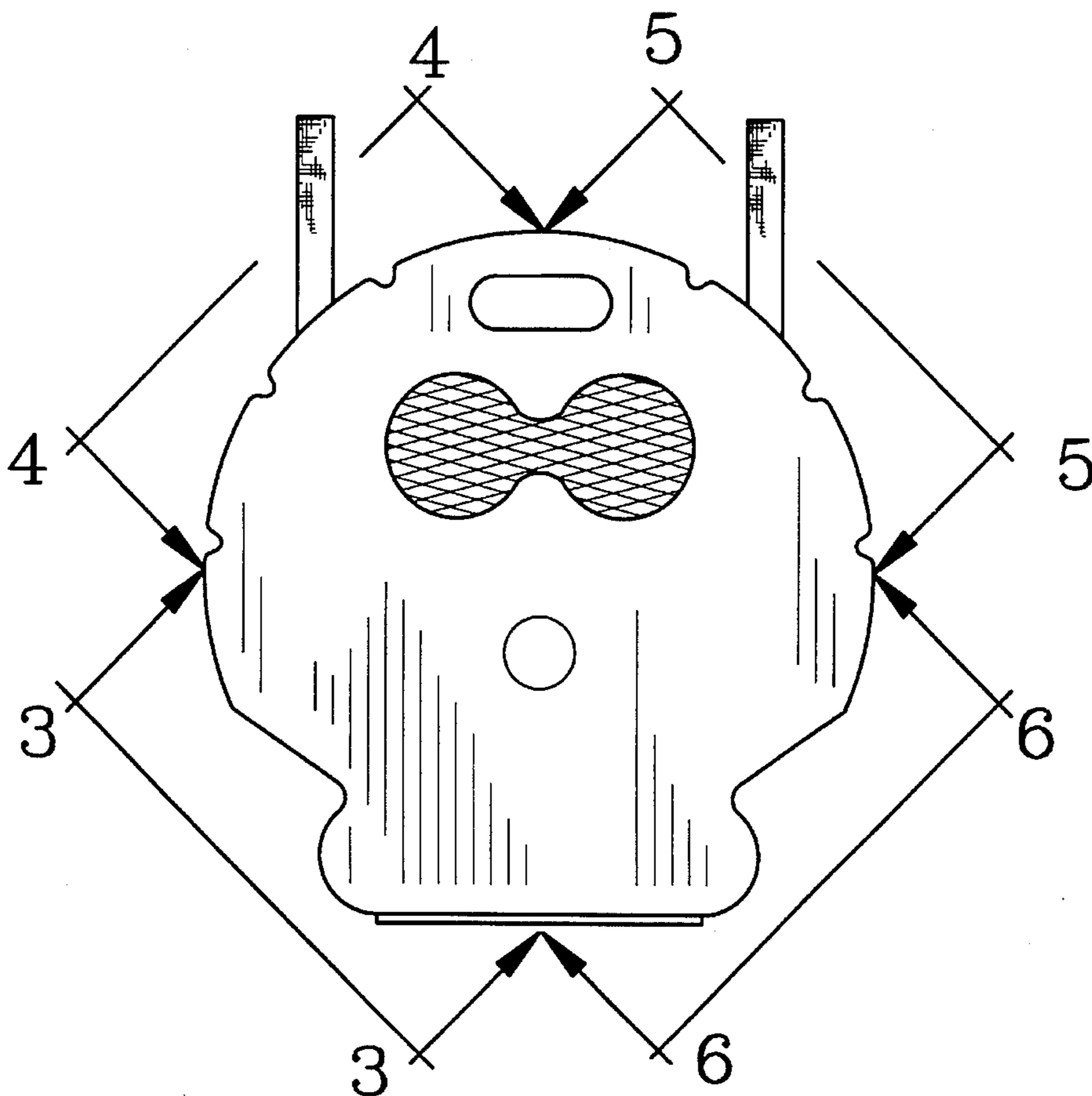
[57] **CLAIM**

The ornamental design for a clamshell table top, as shown and described.

**DESCRIPTION**

FIG. 1 is a top plan view of a clamshell table top embodying my design;  
 FIG. 2 is a bottom plan view thereof with the straps extended, it being understood that the straps are flexible;  
 FIG. 3 is a side elevation view of the table top as seen in FIG. 1 along lines 3—3;  
 FIG. 4 is a side elevation view thereof along lines 4—4;  
 FIG. 5 is a side elevation view thereof along lines 5—5;  
 FIG. 6 is a side elevation view thereof along lines 6—6;  
 FIG. 7 is a top plan view of a second embodiment of a clamshell table top embodying my design;  
 FIG. 8 is a bottom plan view thereof with the straps extended, it being understood that the straps are flexible;  
 FIG. 9 is a side elevation view of the table top as seen in FIG. 7 along lines 9—9;  
 FIG. 10 is a side elevation view thereof along lines 10—10;  
 FIG. 11 is a side elevation view thereof along lines 11—11; and,  
 FIG. 12 is a side elevation view thereof along lines 12—12.

**1 Claim, 6 Drawing Sheets**



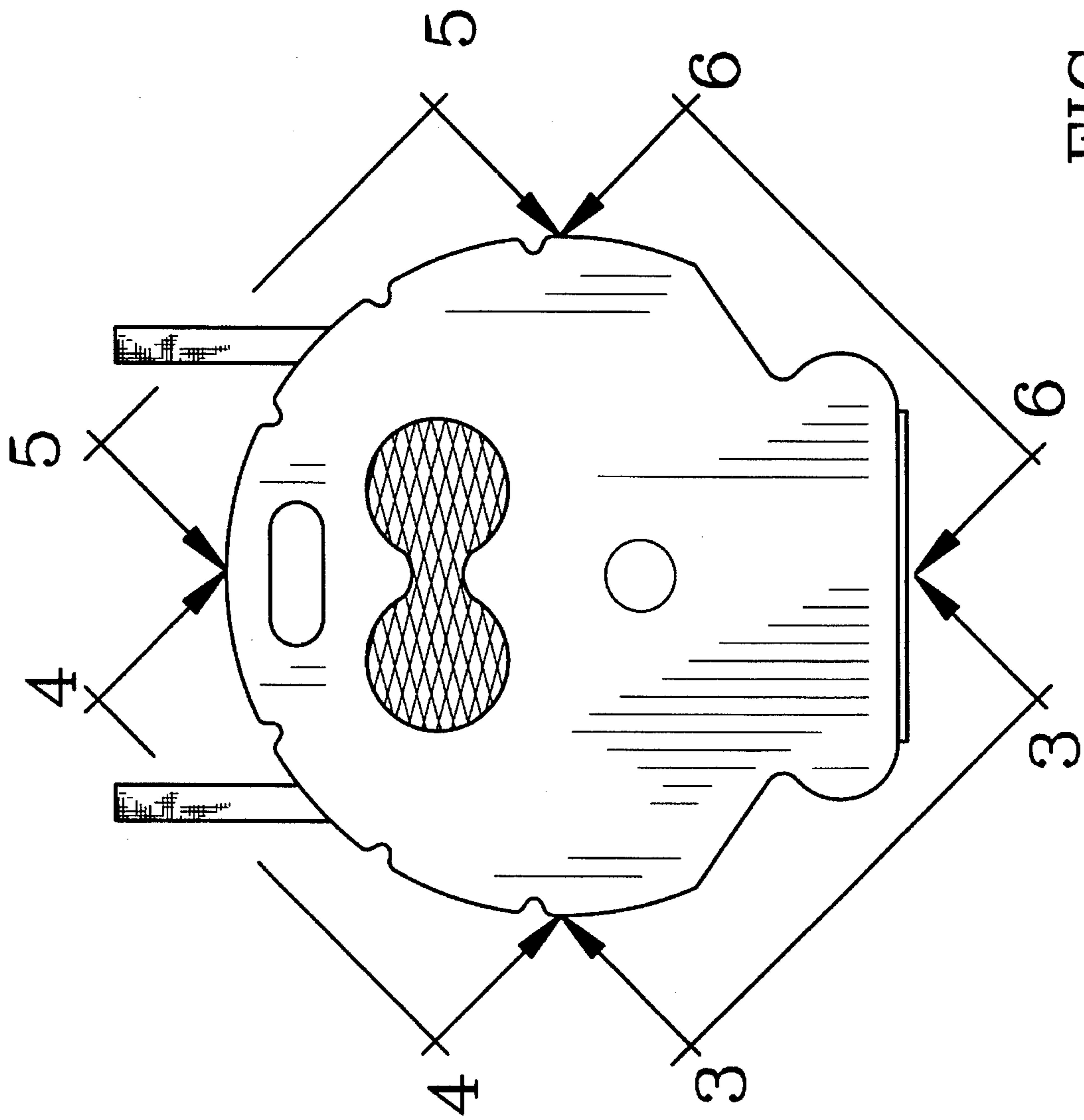


FIG. 1

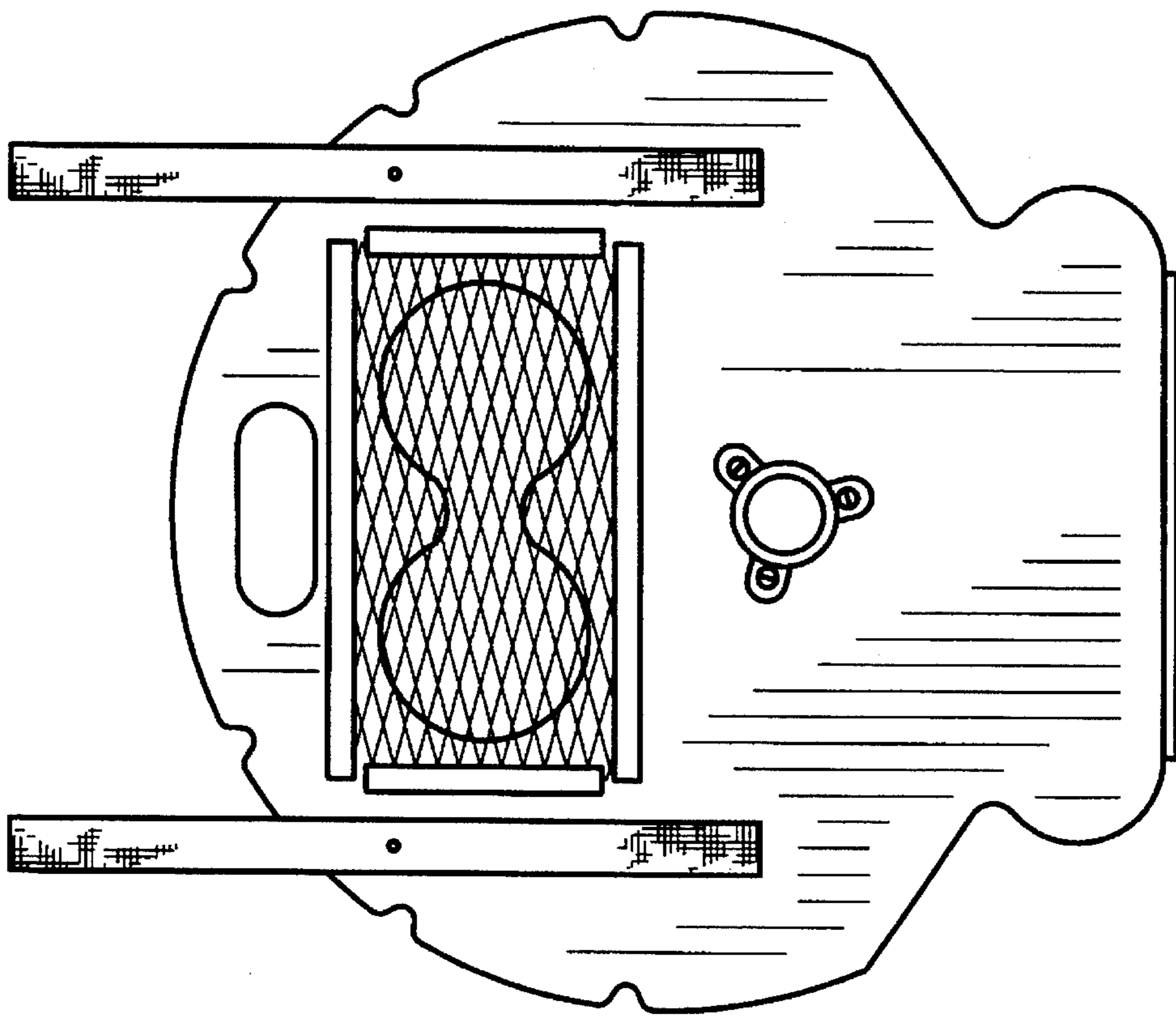


FIG. 2

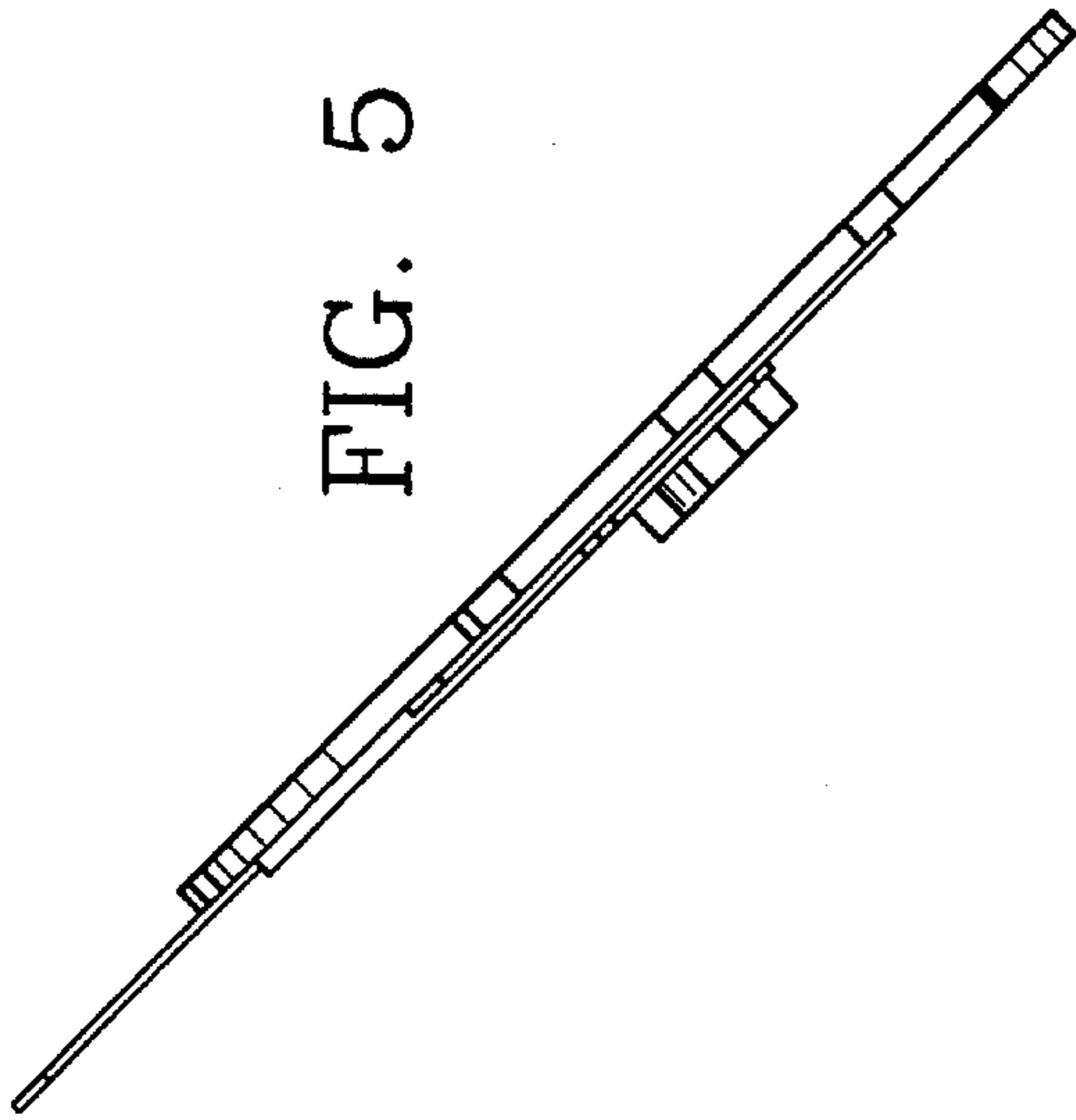


FIG. 5

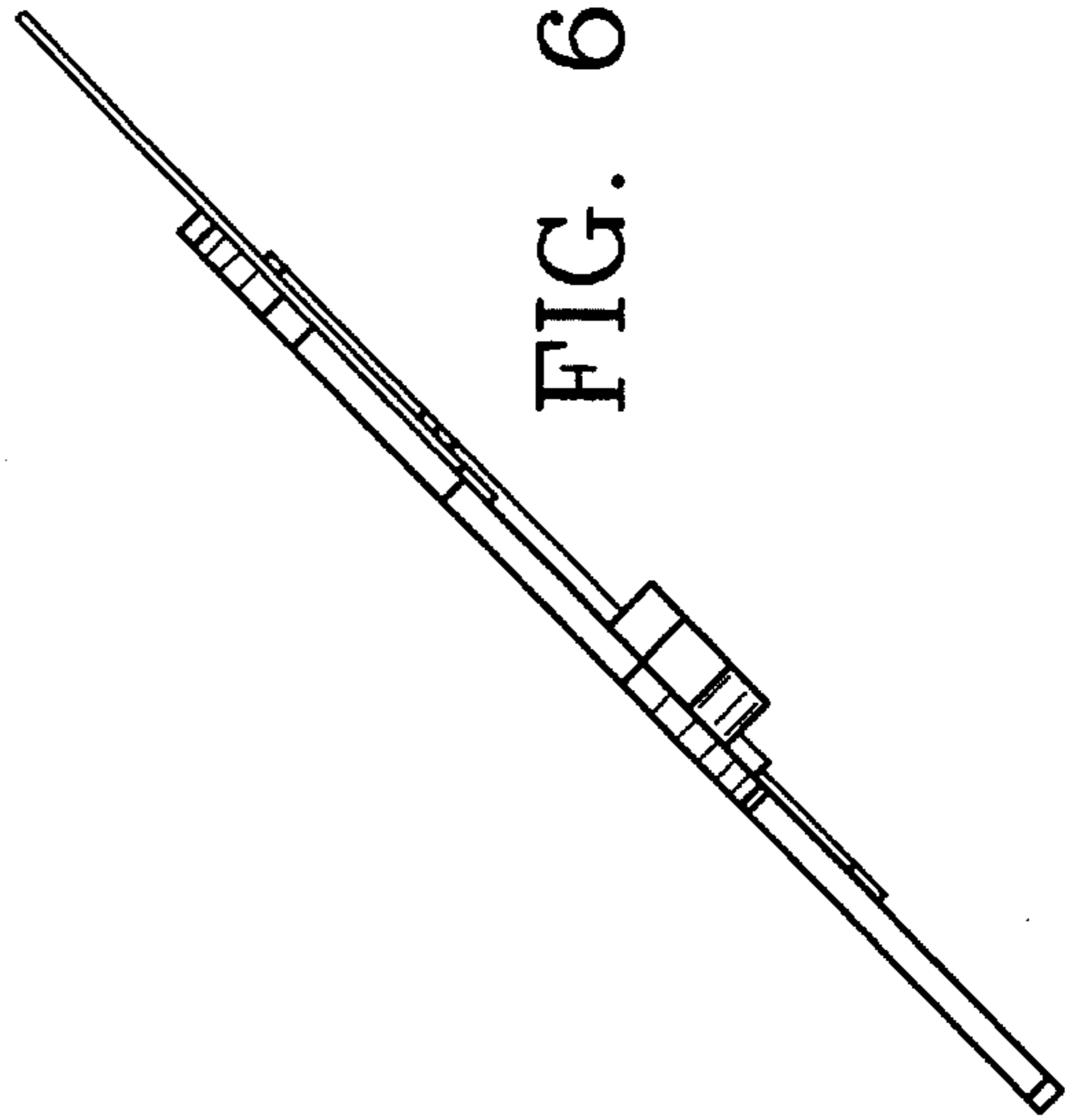


FIG. 6

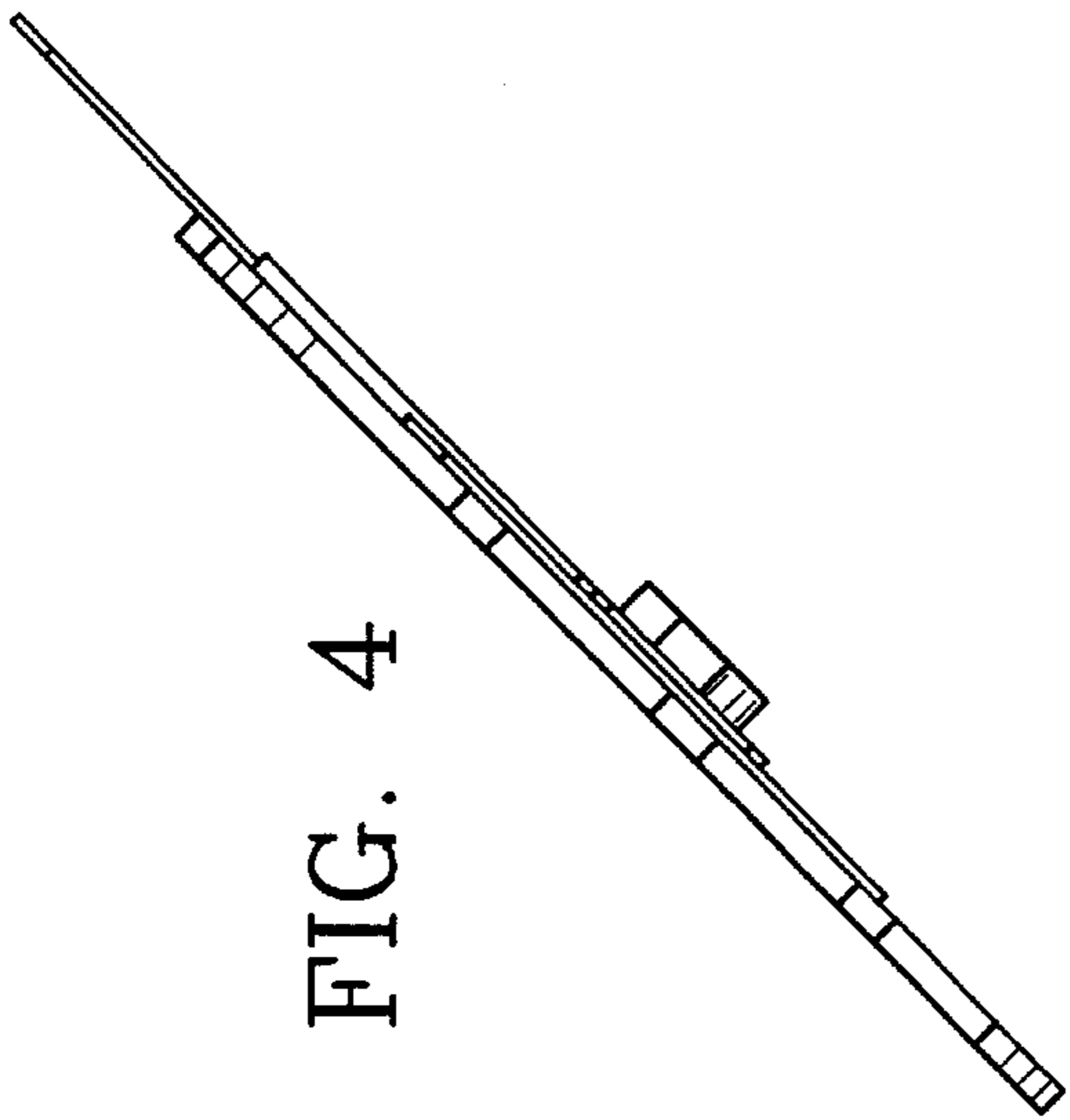


FIG. 4

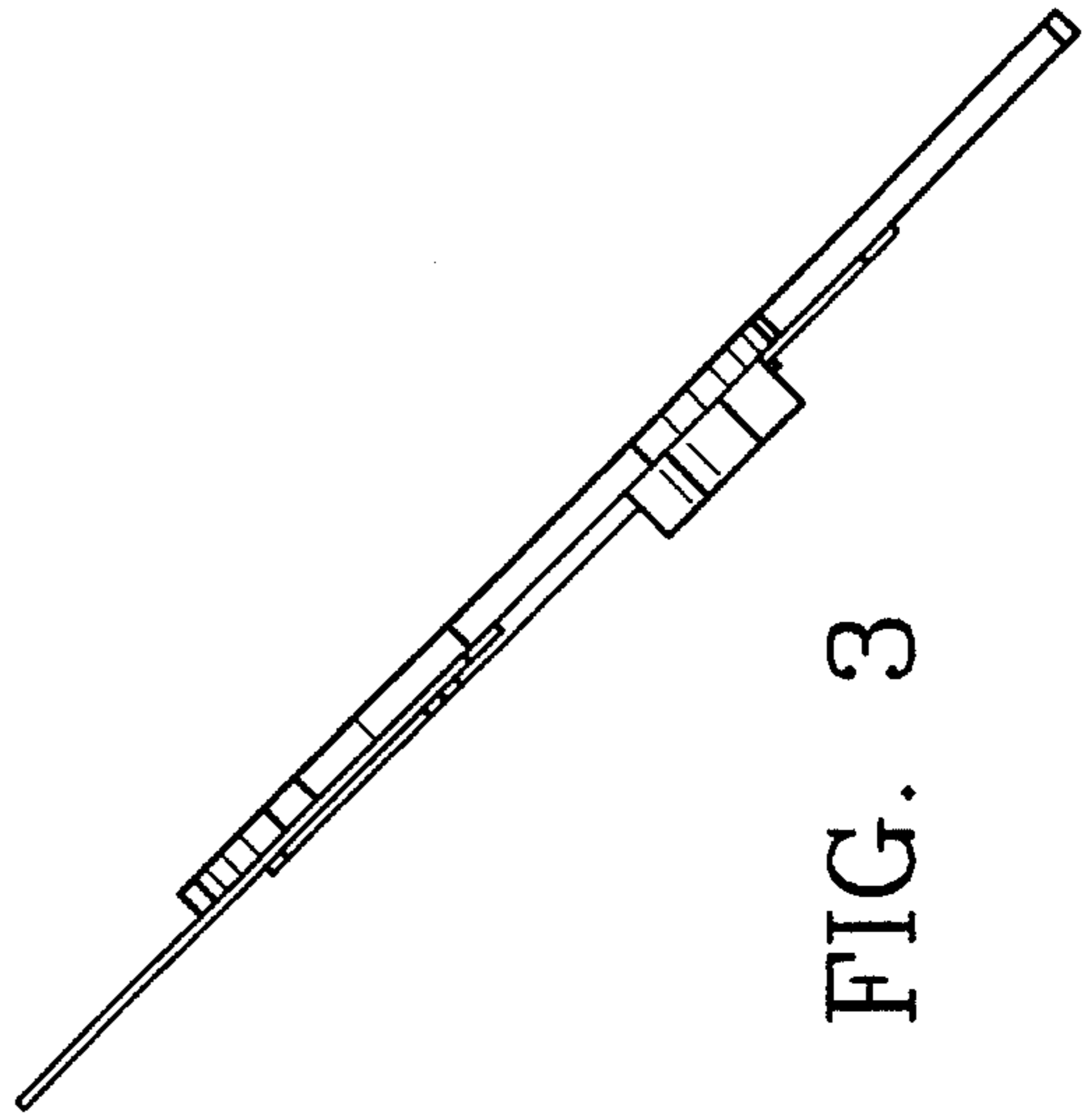


FIG. 3

FIG. 11

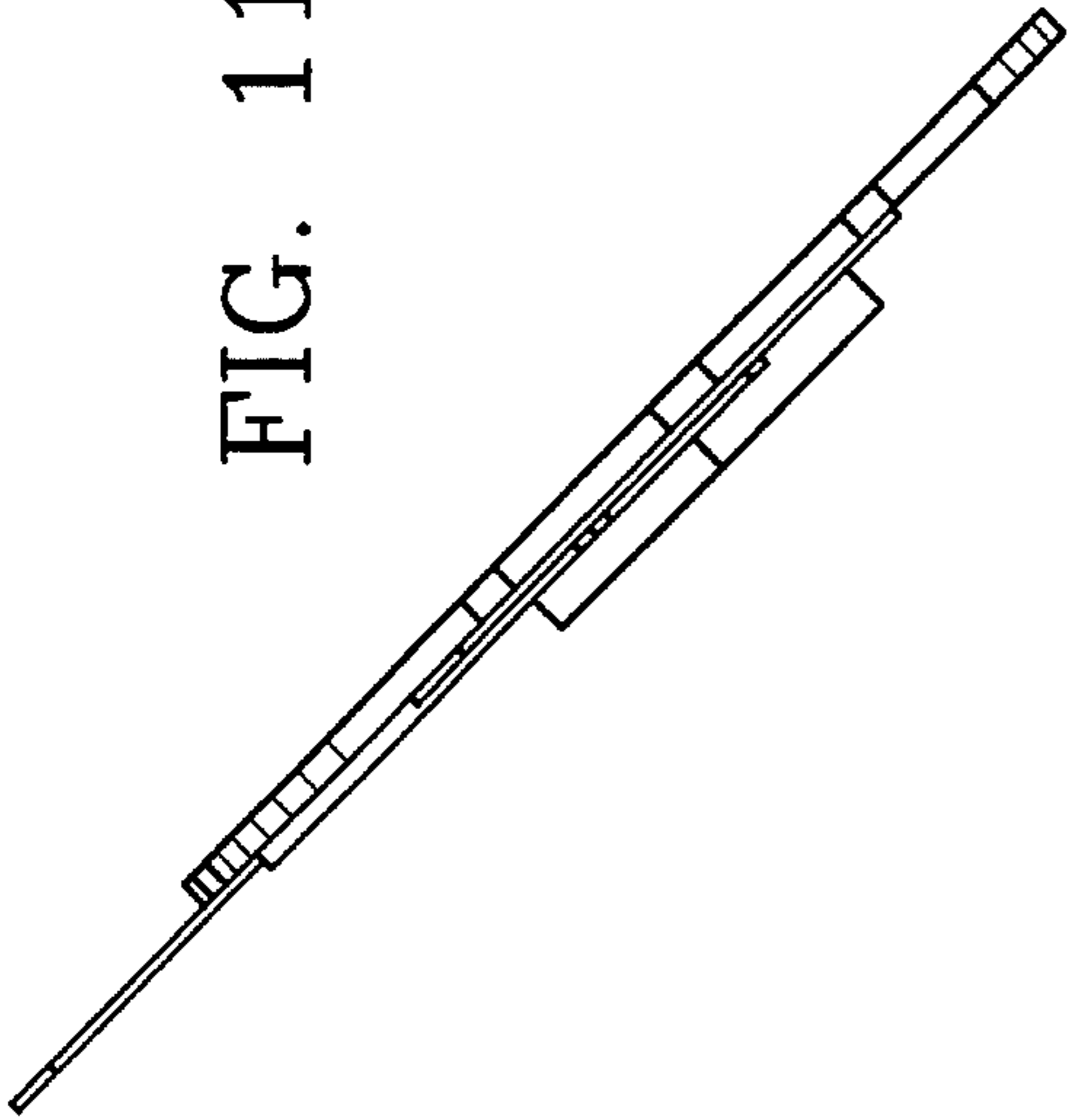


FIG. 12

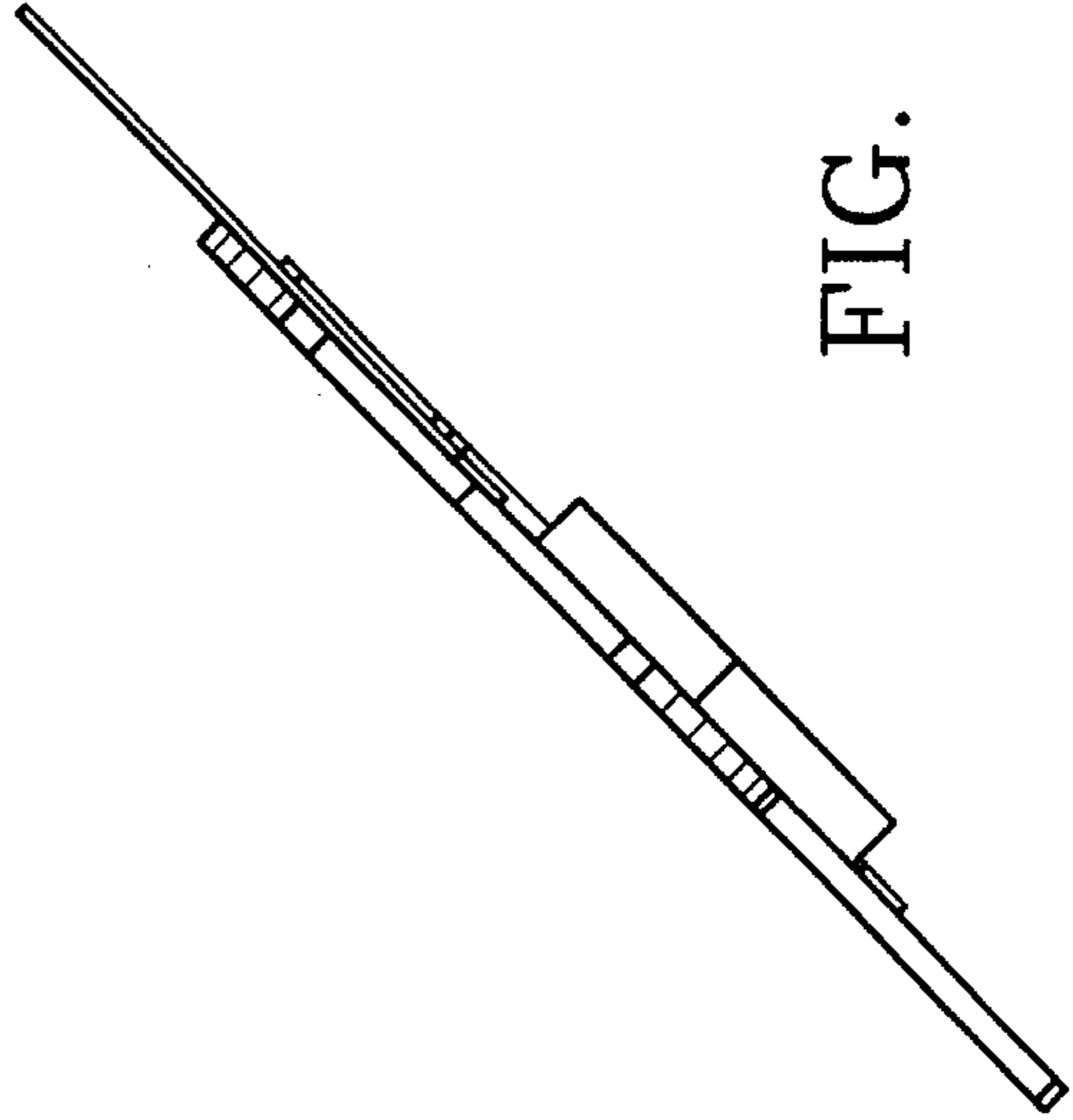


FIG. 10

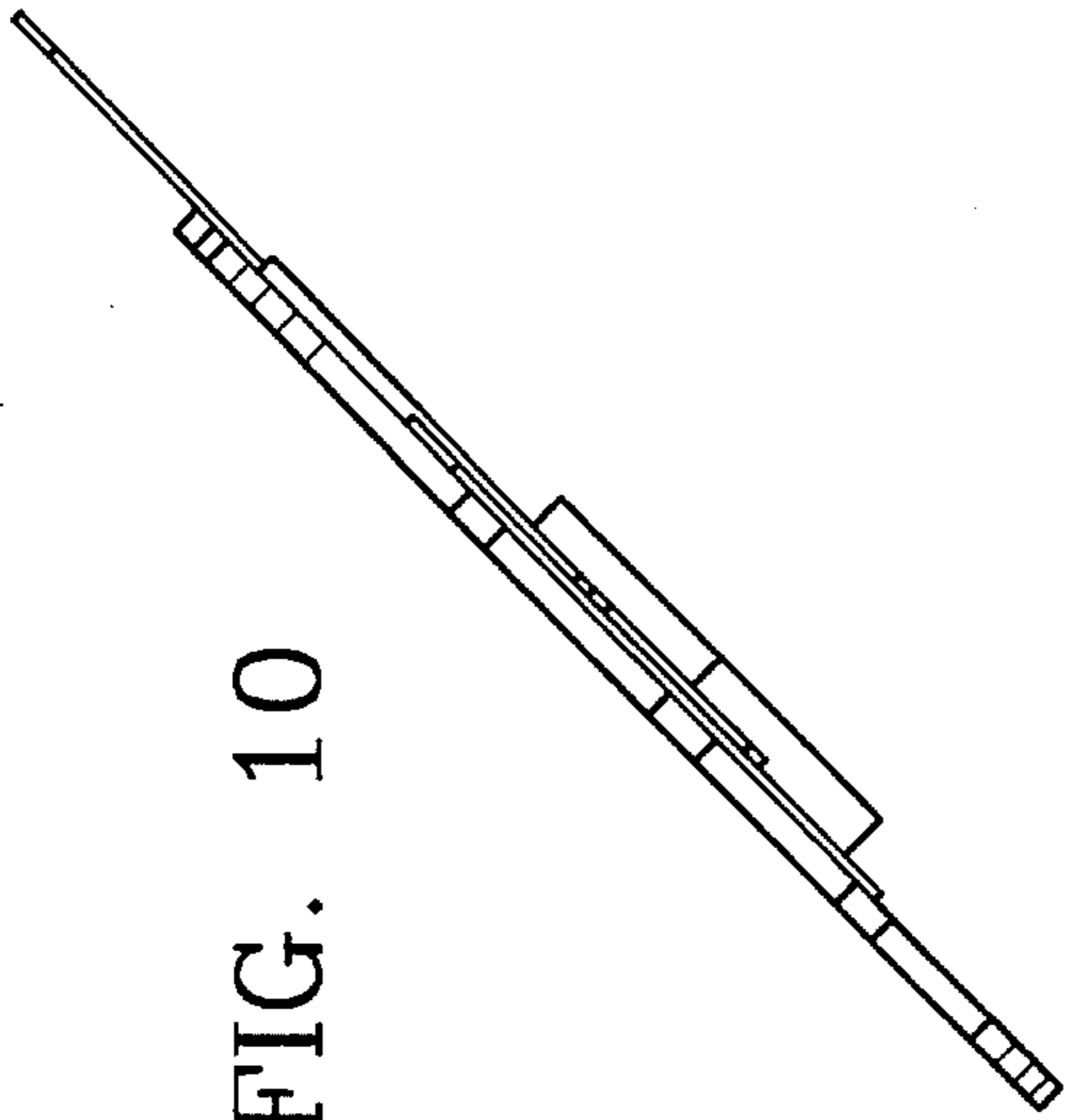
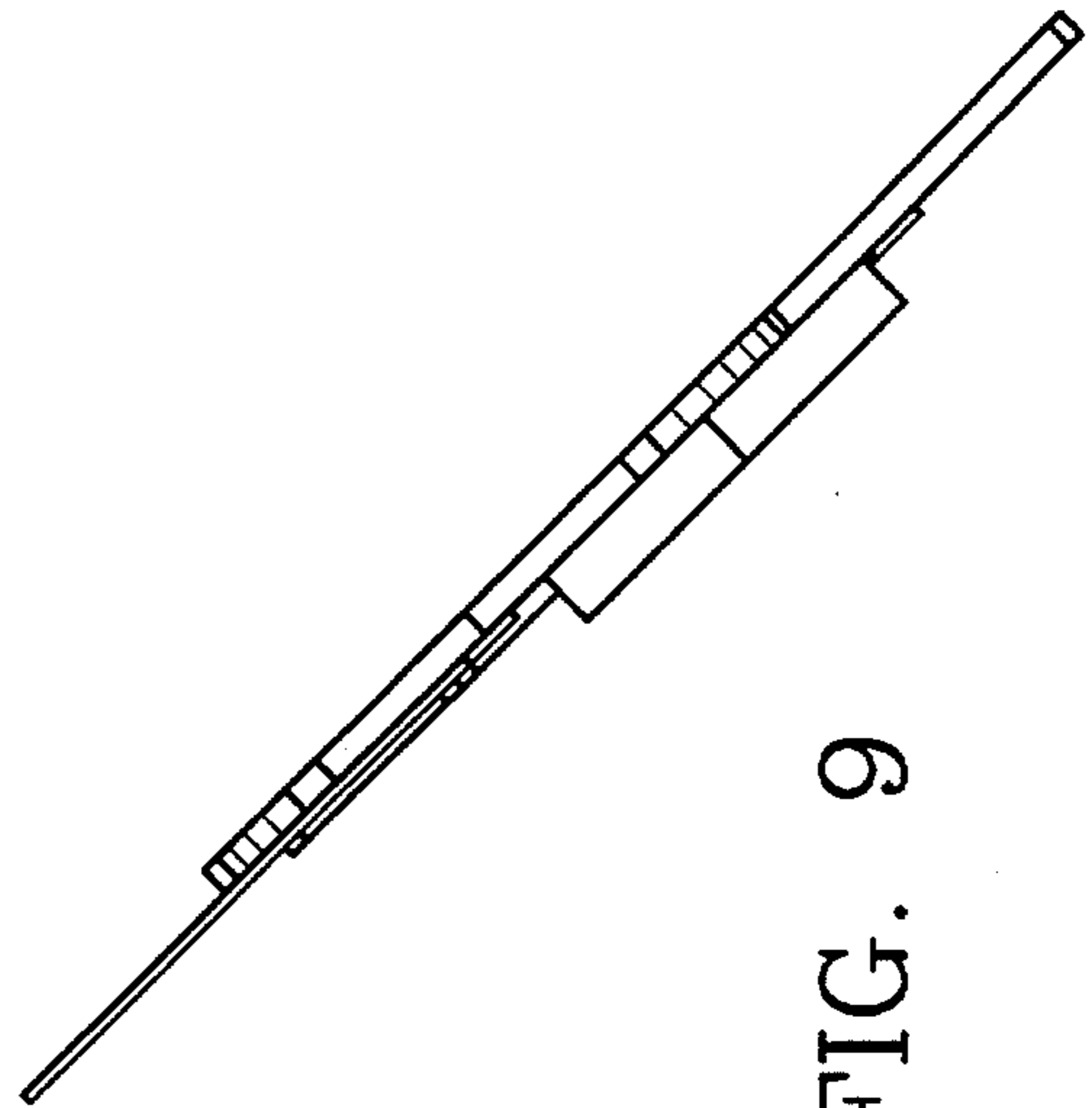


FIG. 9



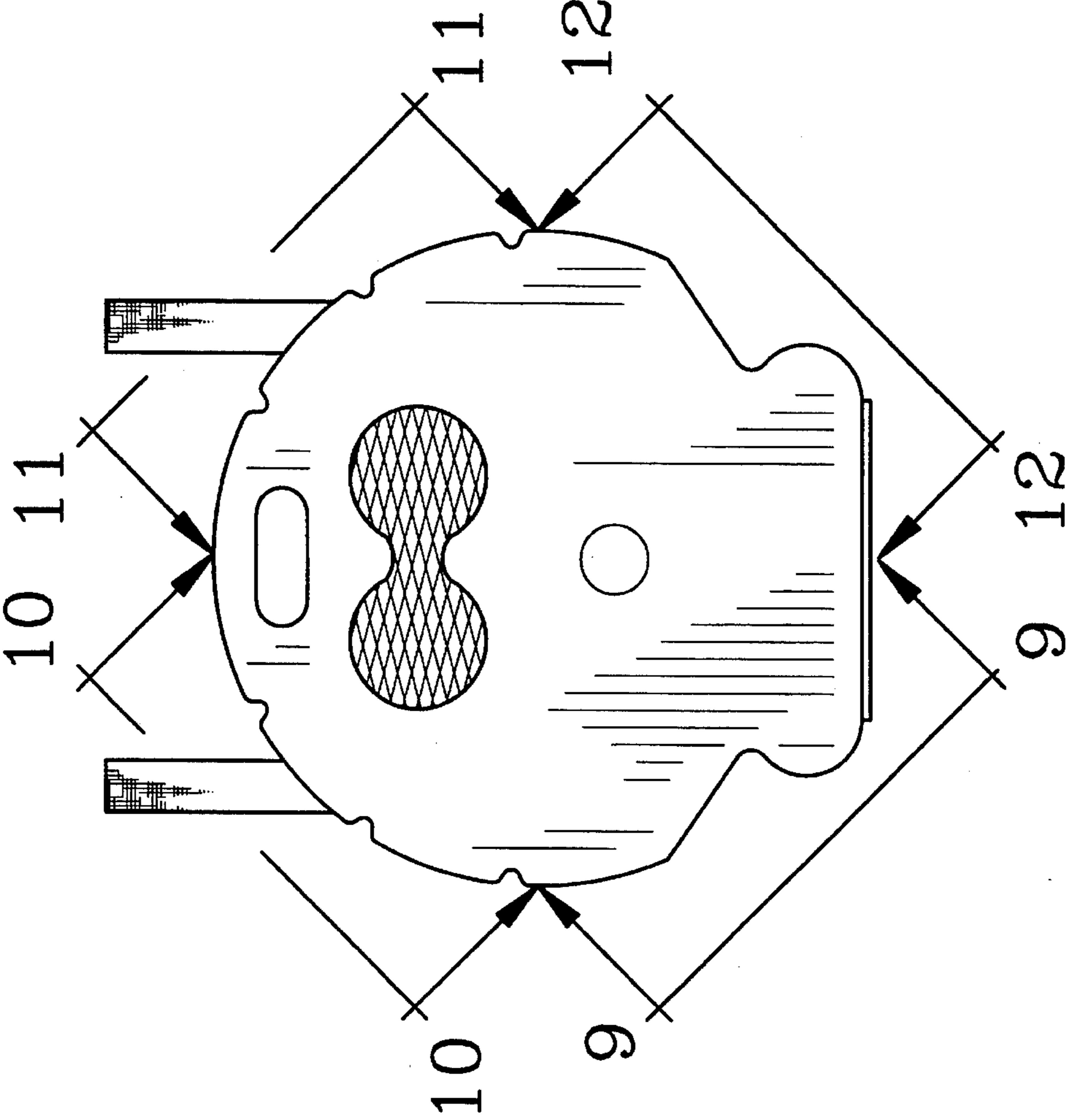


FIG. 7

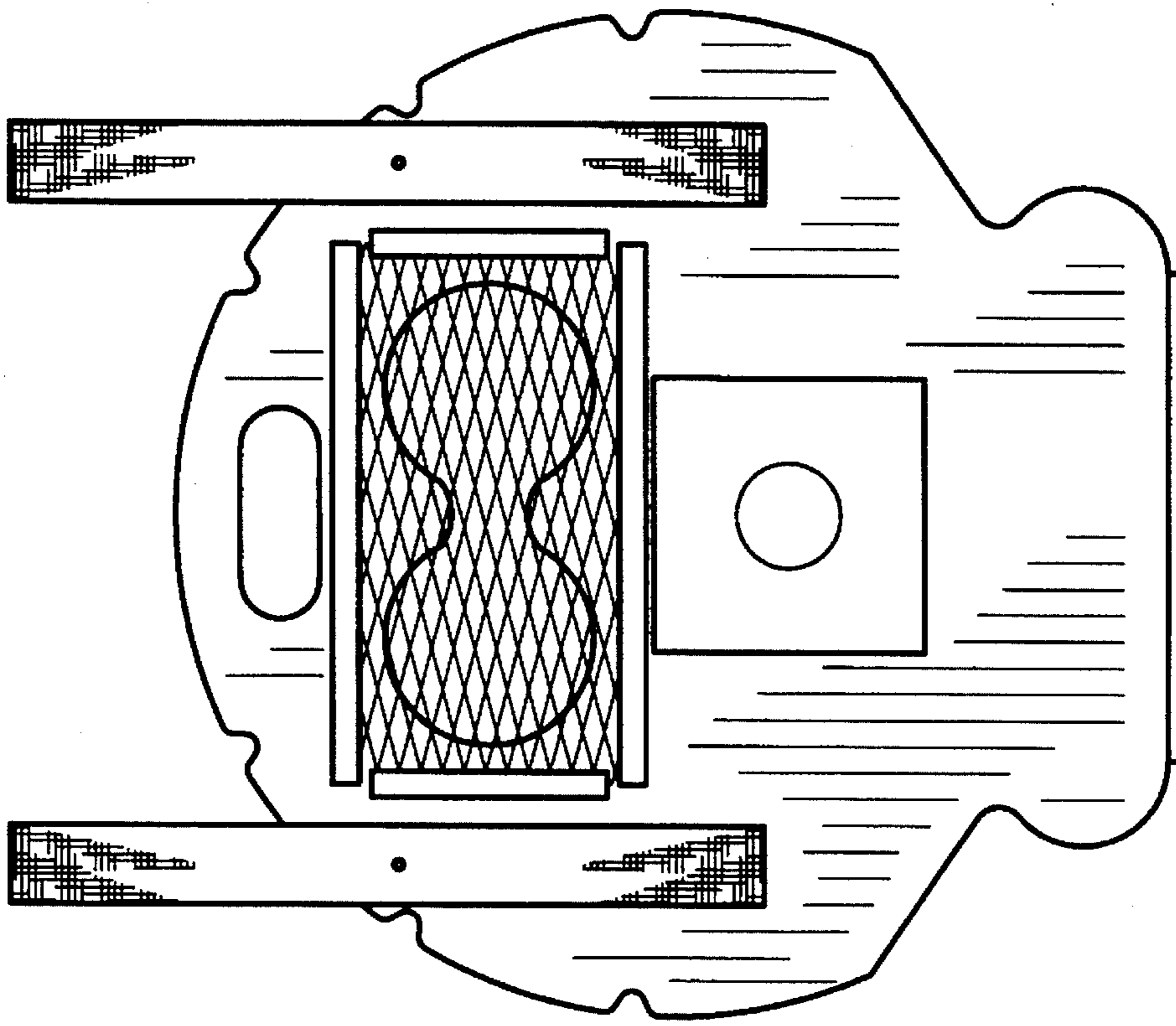


FIG. 8