



US00D376937S

United States Patent [19]
Skalka

[11] **Patent Number: Des. 376,937**

[45] **Date of Patent: **Dec. 31, 1996**

[54] **END FRAME FOR A BENCH**

[75] **Inventor: Gerald P. Skalka, Potomac, Md.**

[73] **Assignee: Victor Stanley, Inc., Dunkirk, Md.**

[**] **Term: 14 Years**

[21] **Appl. No.: 47,597**

[22] **Filed: Dec. 8, 1995**

[52] **U.S. Cl. D6/492**

[58] **Field of Search D6/491, 492, 494,
D6/381, 370, 373; 297/232**

[56] **References Cited**

U.S. PATENT DOCUMENTS

D. 5,147	8/1871	Miske	D6/492
D. 185,164	5/1959	Molla	D6/492
D. 217,910	6/1970	Harman	D6/492
D. 225,946	1/1973	Morrison	D6/373
D. 233,964	12/1974	Morrison	D6/373
D. 294,782	3/1988	Balderi	D6/370 X

Primary Examiner—Janice E. Seeger

Attorney, Agent, or Firm—Popham, Haik, Schnobrich & Kaufman, Ltd.

[57] **CLAIM**

The ornamental design for an end frame for a bench, as shown and described.

DESCRIPTION

FIG. 1 is a perspective view of an end frame for a bench

showing a first embodiment of my new design;

FIG. 2 is a side elevational view of the end frame of FIG. 1, the opposite side elevational view being a mirror image thereof;

FIG. 3 is a top plan view of the end frame of FIG. 1;

FIG. 4 is a bottom view of the end frame of FIG. 1;

FIG. 5 is a back elevational view of the end frame of FIG. 1;

FIG. 6 is a front elevational view of the end frame of FIG. 1;

FIG. 7 is a perspective view of an end frame for a bench showing a second embodiment of my new design;

FIG. 8 is a side elevational view of the end frame of FIG. 7, the opposite side elevational view being a mirror image thereof;

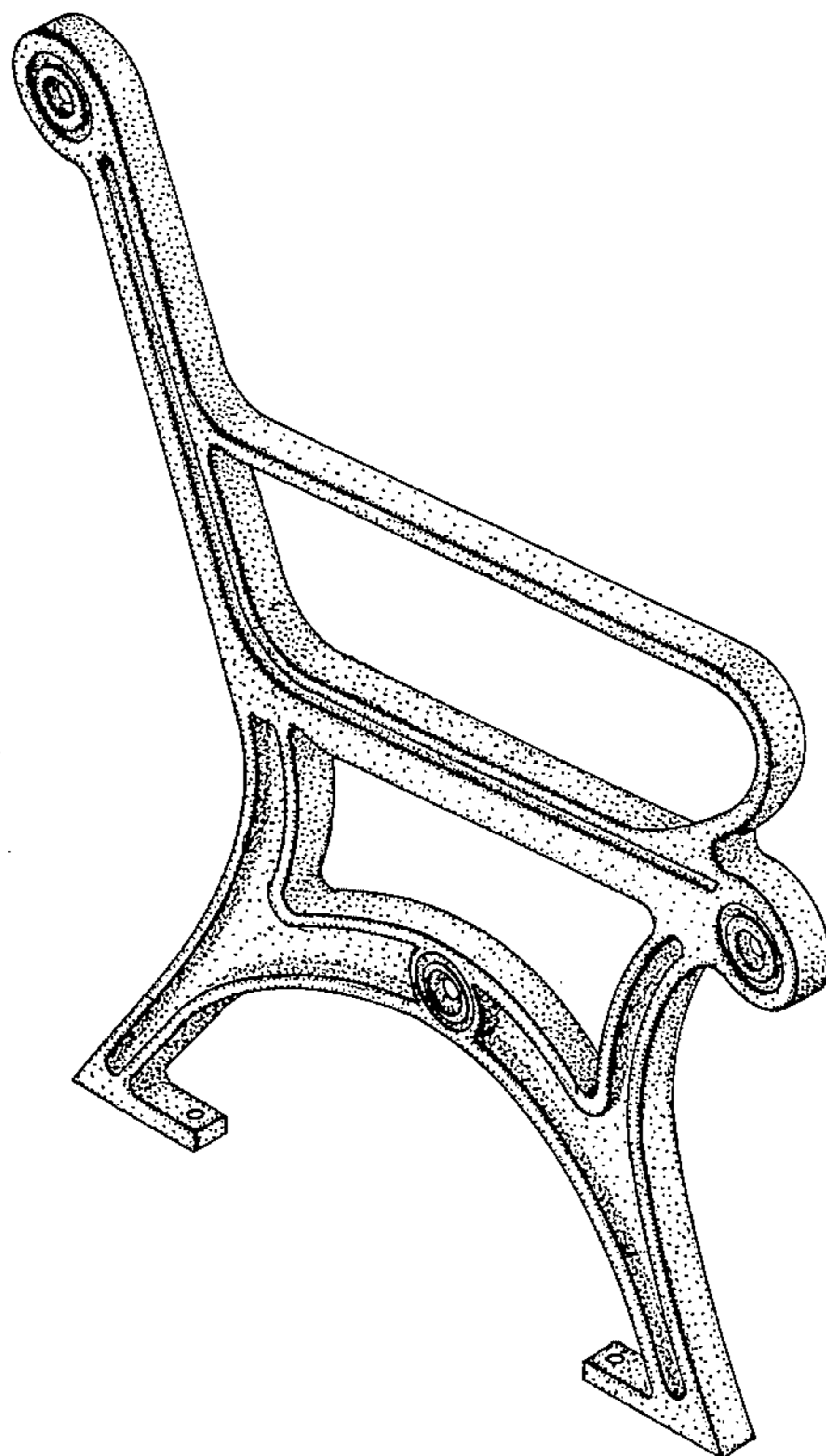
FIG. 9 is a top plan view of the end frame of FIG. 7;

FIG. 10 is a bottom plan view of the end frame of FIG. 7;

FIG. 11 is a back elevational view of the end frame of FIG. 7; and,

FIG. 12 is a front elevational view of the end frame of FIG. 7.

1 Claim, 6 Drawing Sheets



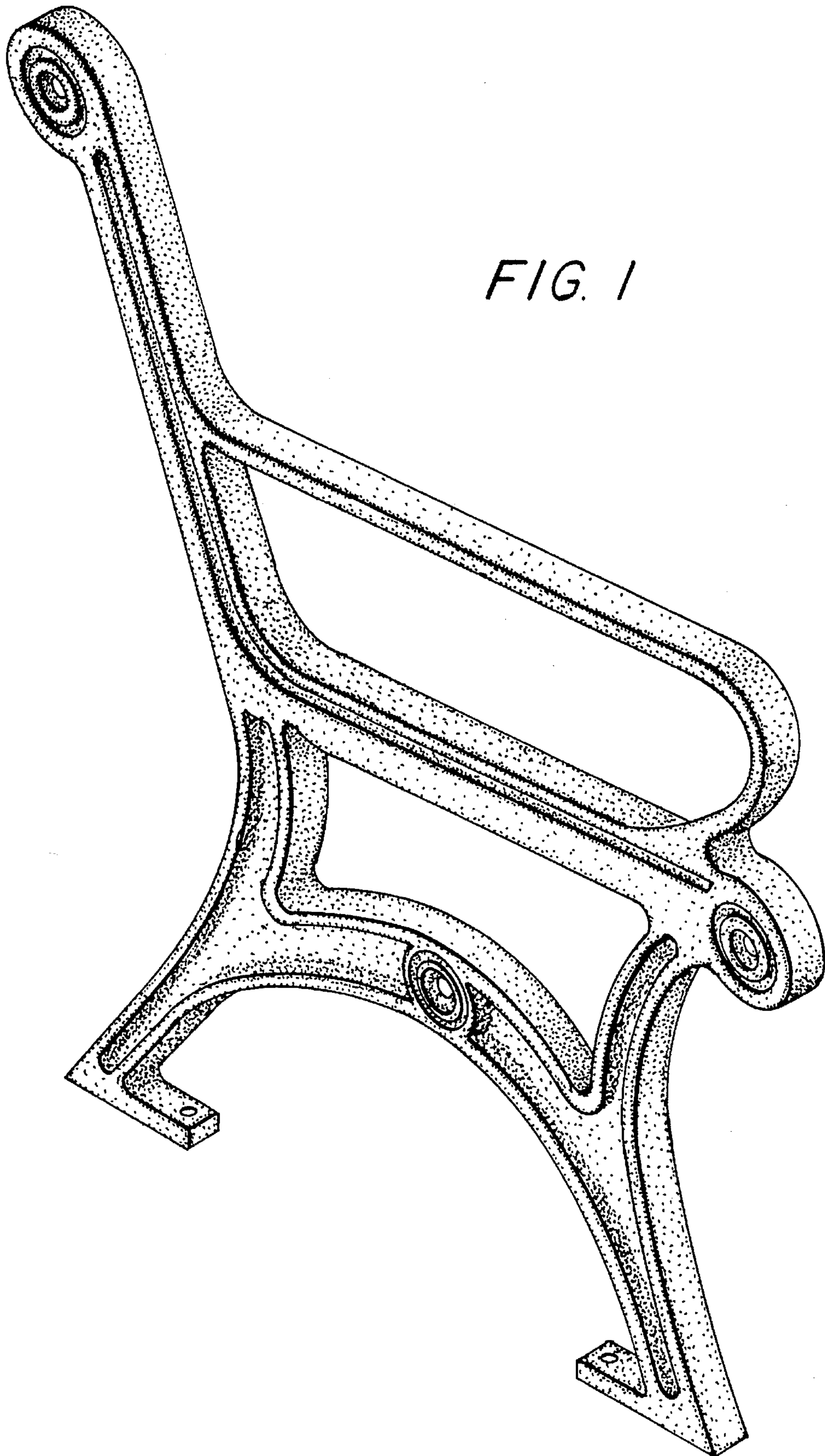


FIG. 1

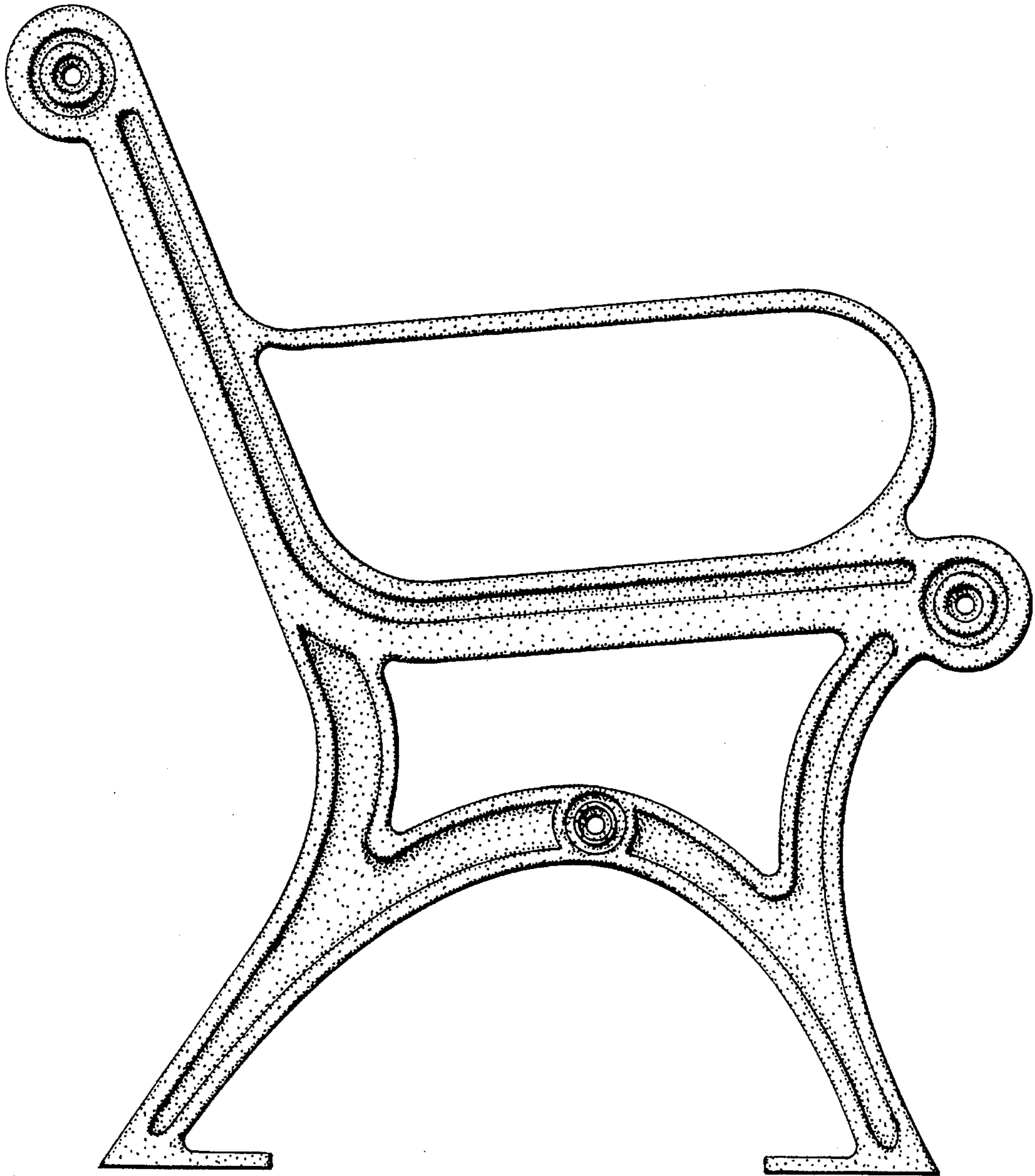


FIG. 2



FIG. 3



FIG. 4

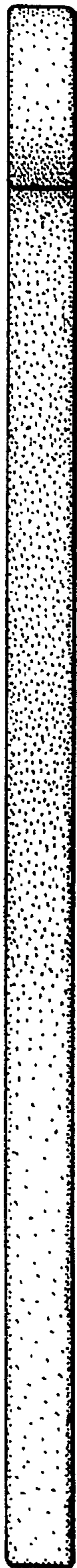


FIG. 5



FIG. 6

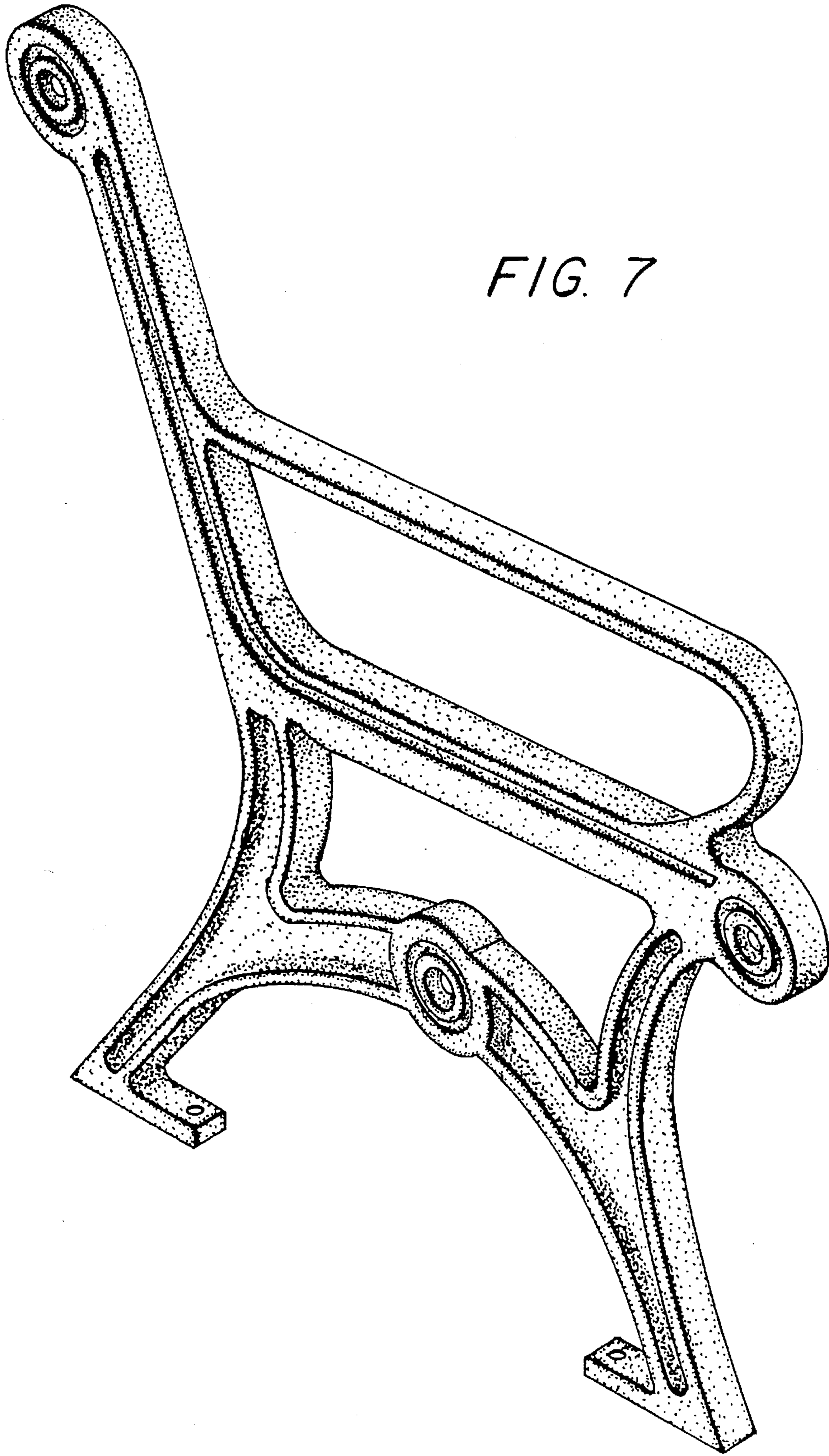


FIG. 7

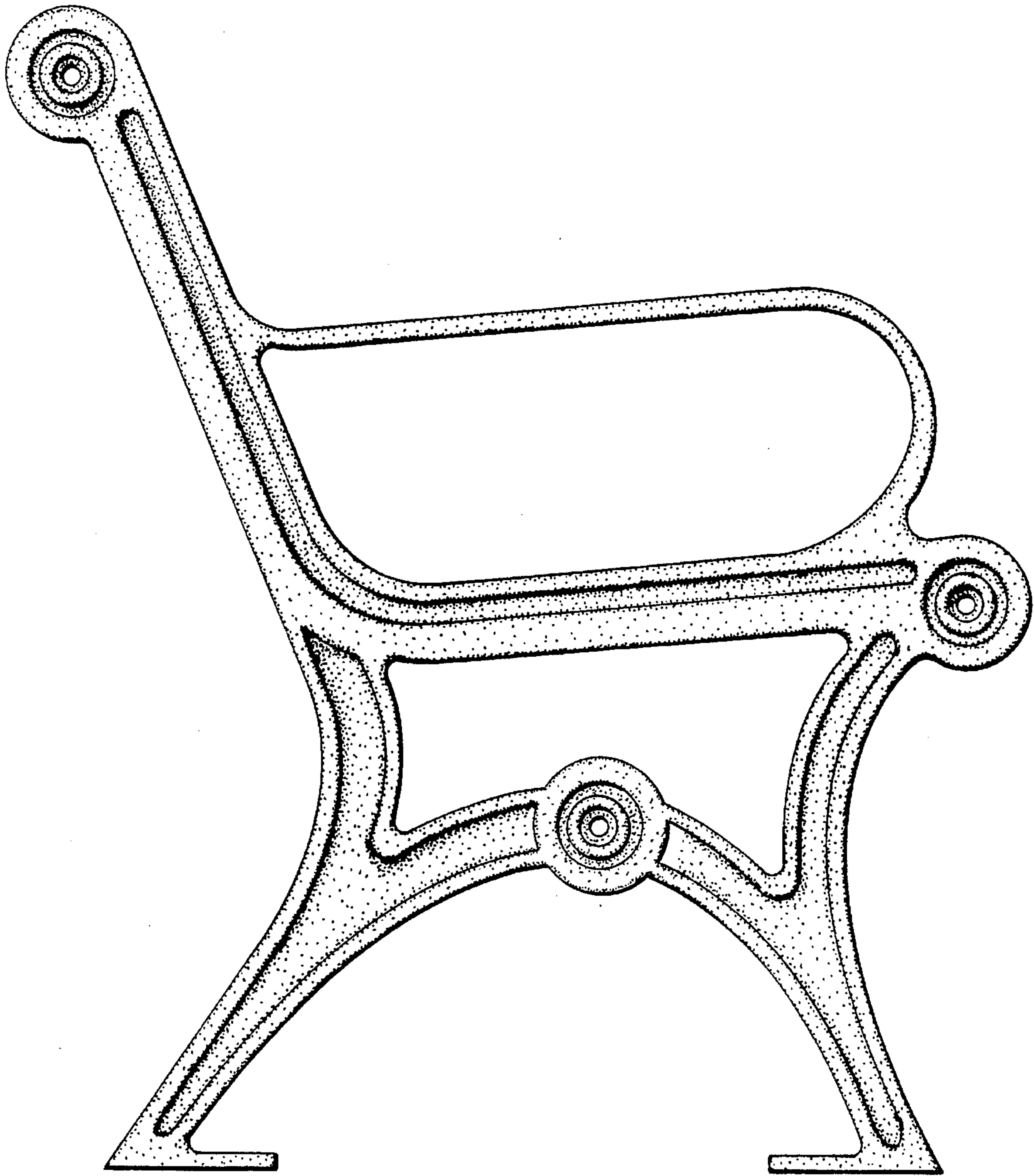


FIG. 8



FIG. 9



FIG. 10

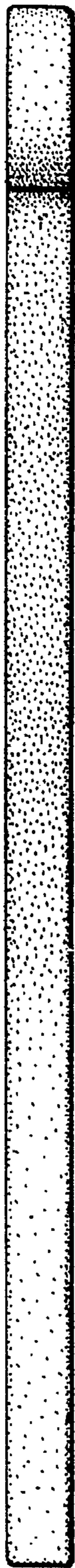


FIG. 11



FIG. 12