



US00D376935S

**United States Patent** [19]  
**Nourse**

[11] **Patent Number: Des. 376,935**

[45] **Date of Patent: \*\*Dec. 31, 1996**

[54] **OCCASIONAL TABLE**

[75] **Inventor: Aagje M. T. Nourse, Fort Worth, Tex.**

[73] **Assignee: BBA Holdings, Inc., Wilmington, Del.**

[\*\*] **Term: 14 Years**

[21] **Appl. No.: 51,442**

[22] **Filed: Mar. 11, 1996**

[52] **U.S. Cl. .... D6/486**

[58] **Field of Search ..... D6/480-489, 495;  
108/150, 191, 153, 161**

[56] **References Cited**

**U.S. PATENT DOCUMENTS**

D. 134,391 11/1942 Waltman ..... D6/446 X  
D. 357,605 4/1995 Kellen ..... D6/486

**OTHER PUBLICATIONS**

Domus, Oct. 1992, p. 67, table at top left.

*Primary Examiner*—Janice E. Seeger  
*Attorney, Agent, or Firm*—Haynes and Boone, L.L.P.

[57] **CLAIM**

The ornamental design for the occasional table, as shown and described.

**DESCRIPTION**

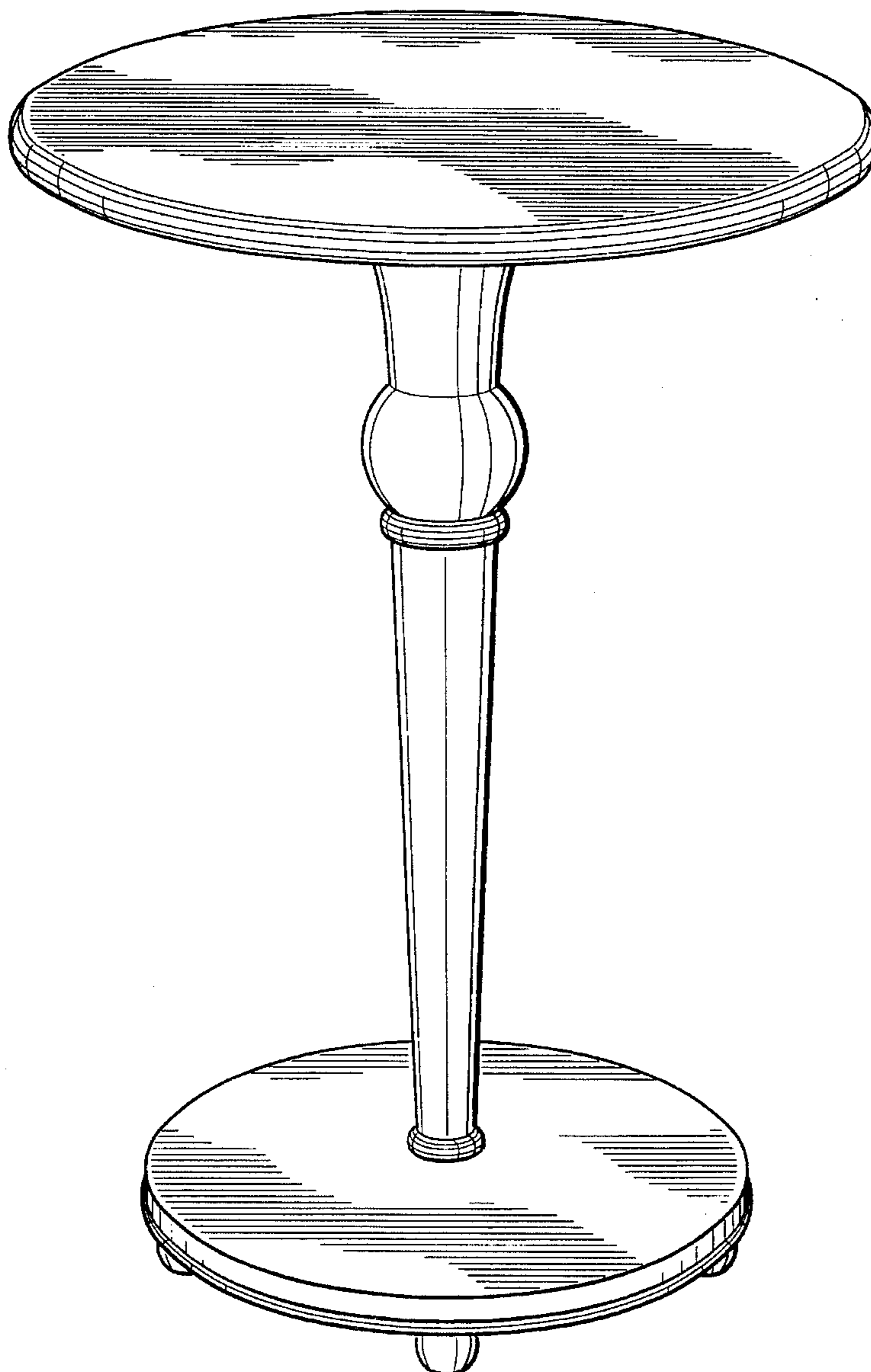
FIG. 1 is a perspective view of the occasional table showing my new design;

FIG. 2 is a front elevational view thereof;

FIG. 3 is a top plan view thereof; and,

FIG. 4 is a bottom plan view thereof.

**1 Claim, 2 Drawing Sheets**



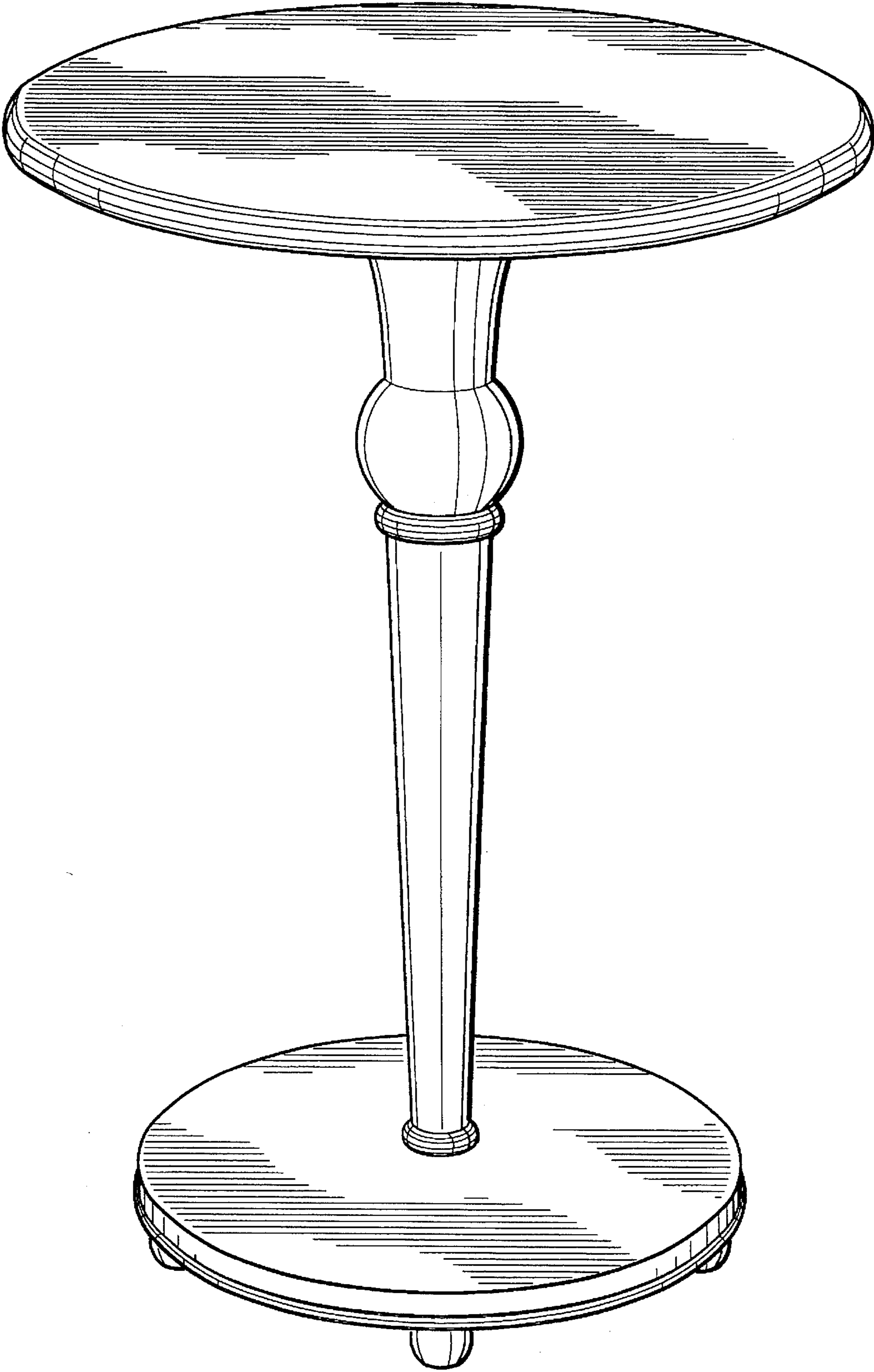


FIG. 1

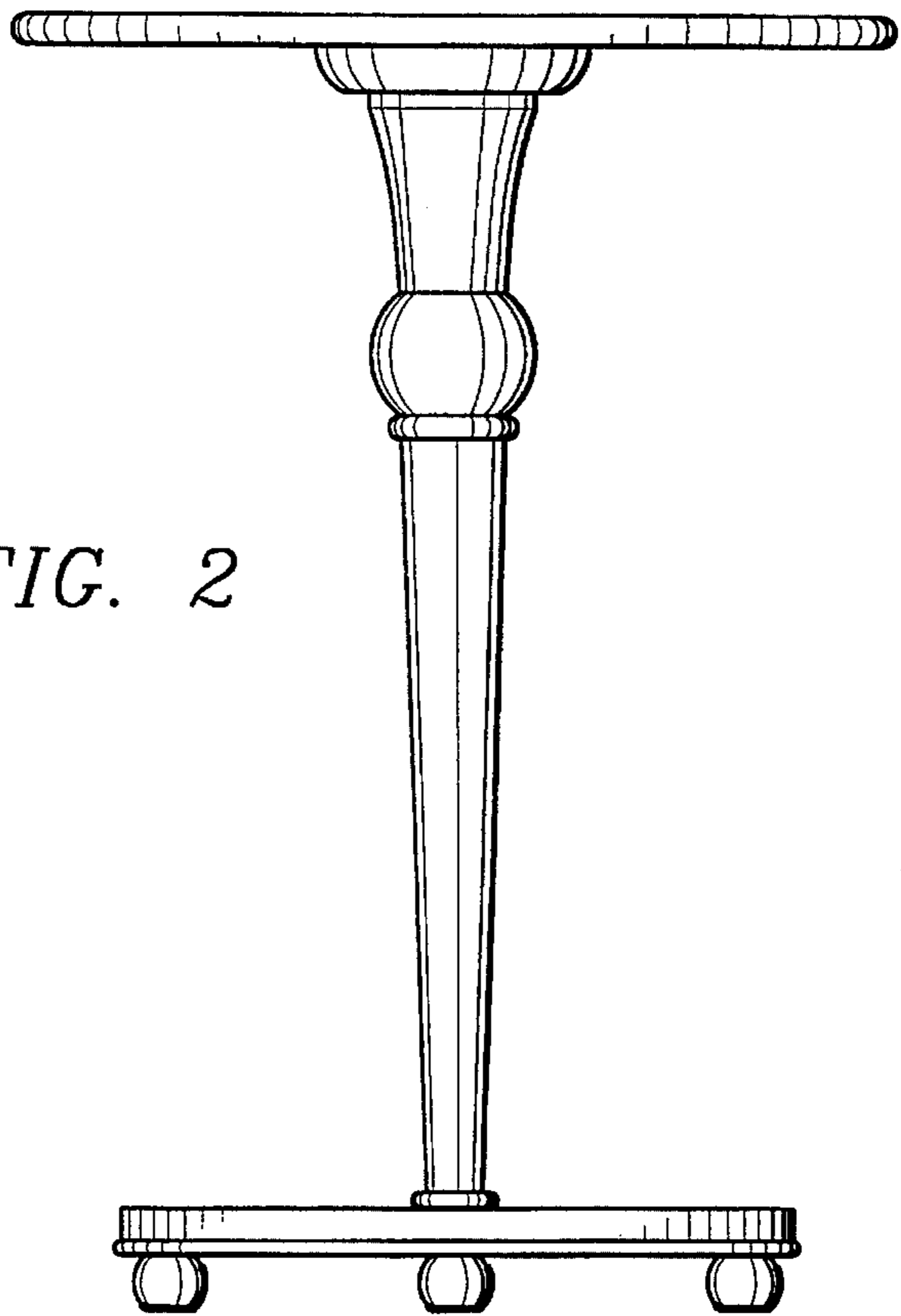


FIG. 2

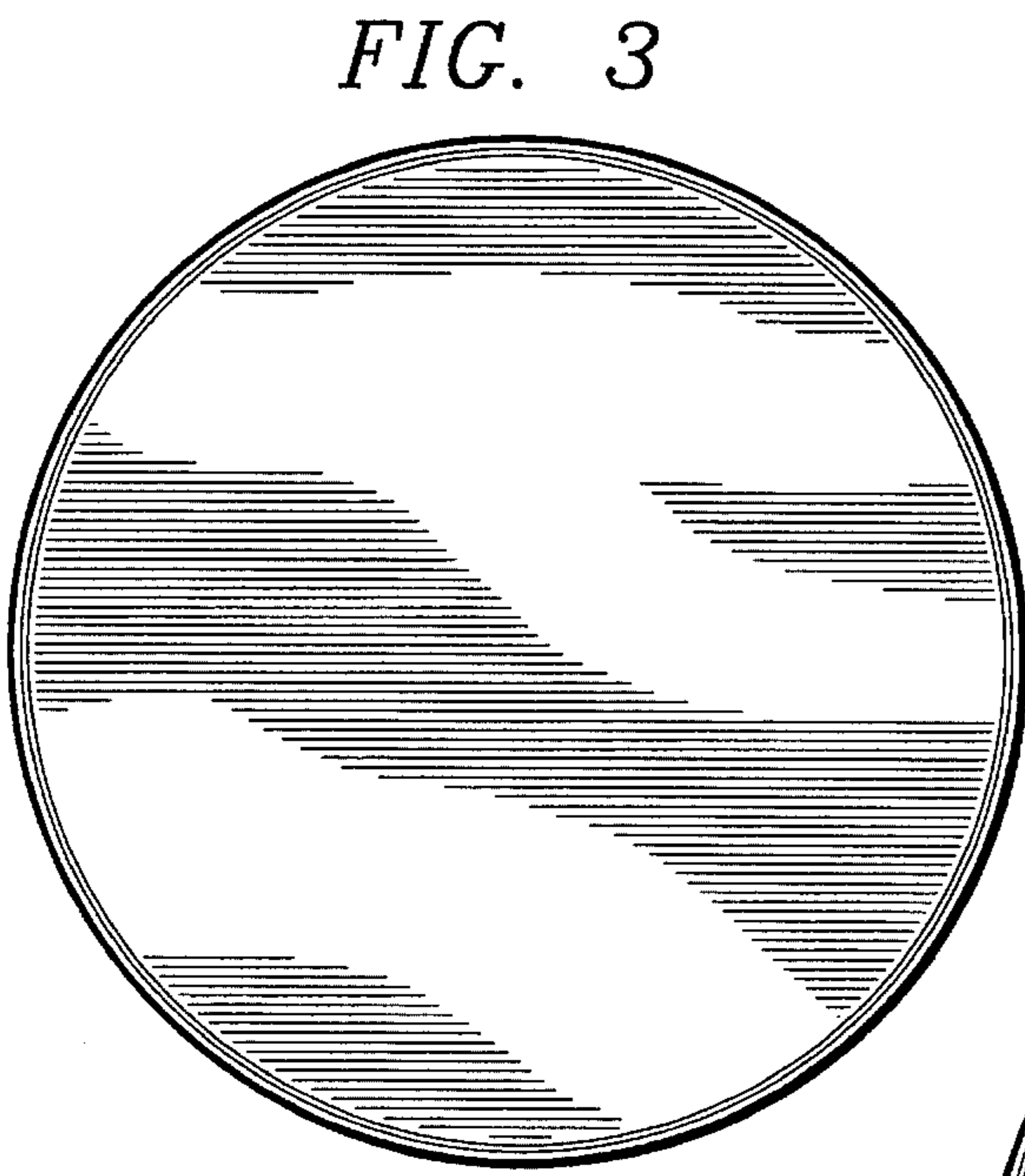


FIG. 3

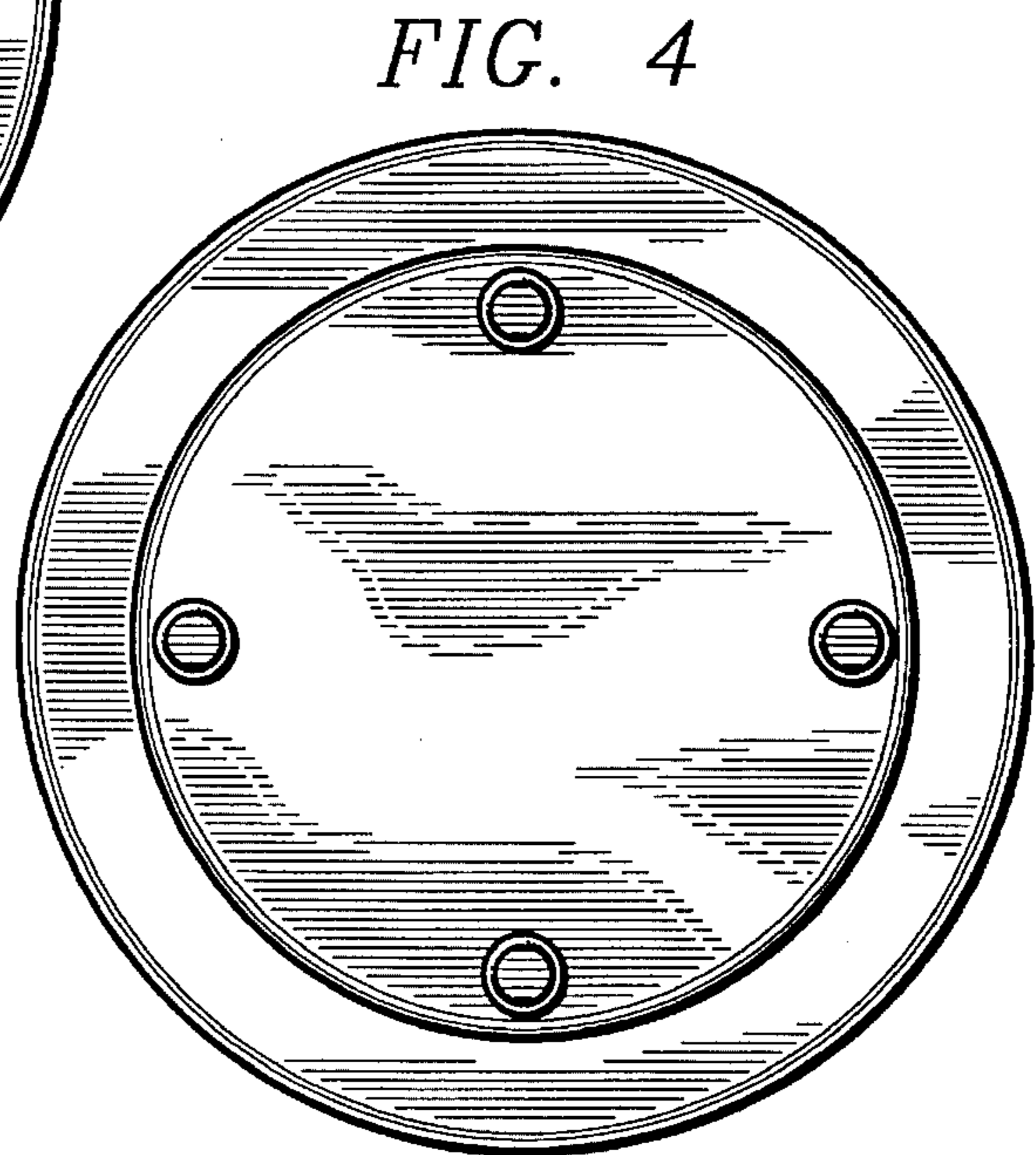


FIG. 4