



US00D376932S

United States Patent [19]

[11] Patent Number: **Des. 376,932**

Hsu et al.

[45] Date of Patent: ****Dec. 31, 1996**

[54] **COMPUTER DESK**

D. 289,474	4/1987	Underwood et al.	D6/420
D. 333,300	2/1993	Hatcher	D6/474 X
2,502,526	4/1950	Loewen	D6/480 X

[76] Inventors: **Chao-Chuan Hsu; Sun-Yu Wang; Yee-Chang Liao**, all of P.O. Box 453, Taichung, Taiwan

OTHER PUBLICATIONS

[**] Term: **14 Years**

Home Craftsman Tables, Chairs and Desks p. 32. lyre table on page.

[21] Appl. No.: **44,402**

Victorian Furniture Corporation lyre coffee table on page.

[22] Filed: **Sep. 21, 1995**

Primary Examiner—Carmen H. Vales-Lado

[52] U.S. Cl. **D6/425; D6/477; D6/434; D6/451; D6/480**

[57] CLAIM

[58] Field of Search **D6/422-428, 480, D6/484, 488, 450, 451, 434, 474, 477-479; 312/194-196, 204, 223.2, 223.3, 201, 325; 108/101**

The ornamental design for a computer desk, as shown.

DESCRIPTION

[56] References Cited

U.S. PATENT DOCUMENTS

D. 61,365	8/1922	Gowran	D6/428
D. 84,488	6/1931	Morgan	D6/428
D. 133,524	8/1942	Bargen	D6/425
D. 180,289	5/1957	Lippincott et al.	D6/428
D. 210,734	4/1968	Henrikson et al.	D6/428
D. 285,632	9/1986	Axhamre	D6/429
D. 286,833	11/1986	Arvero	D6/429
D. 287,678	1/1987	Hatcher et al.	D6/474

FIG. 1 is a perspective view of a computer desk showing our new design;

FIG. 2 is a front elevational view thereof;

FIG. 3 is a rear elevational view thereof;

FIG. 4 is a right side elevational view thereof;

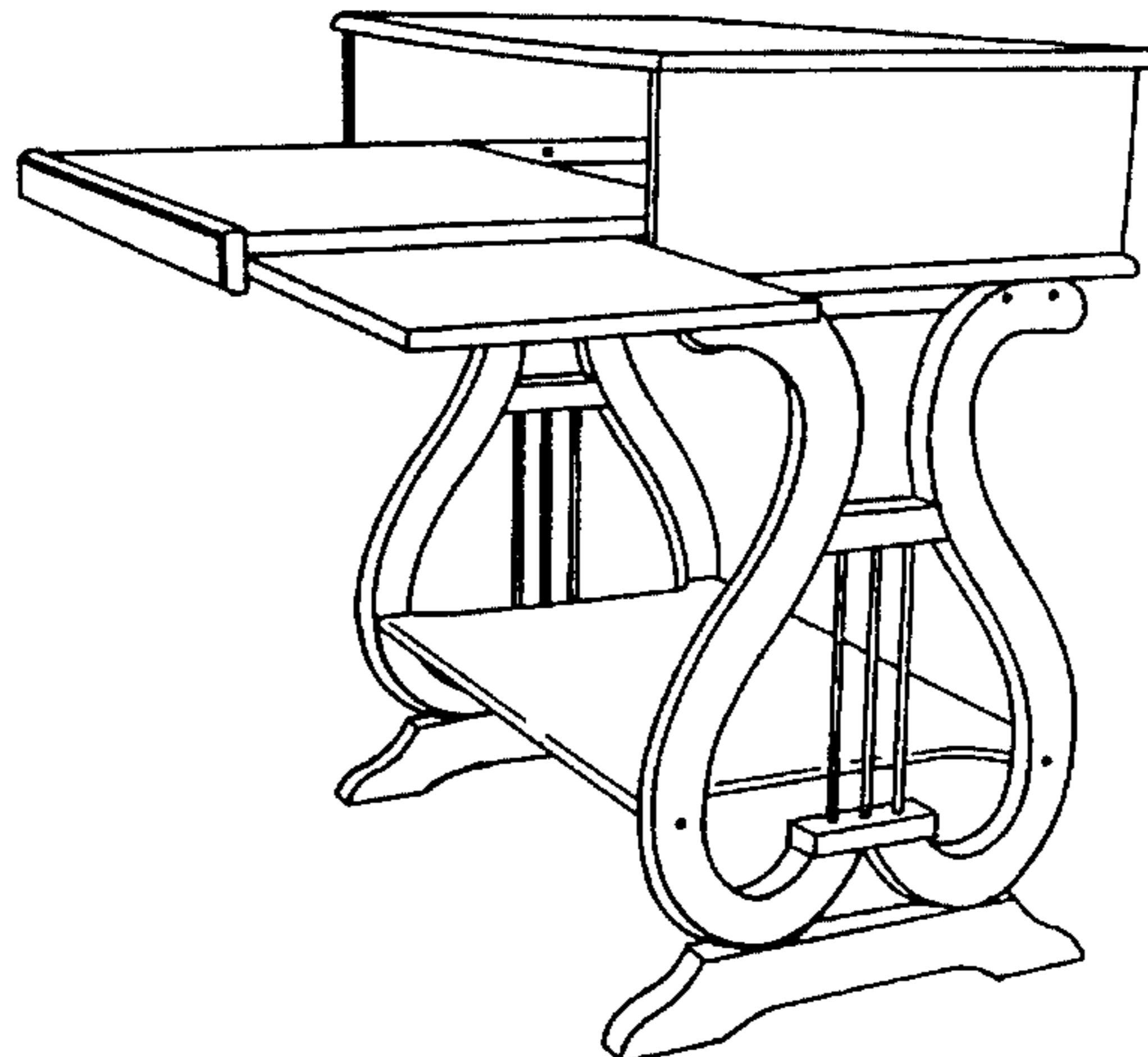
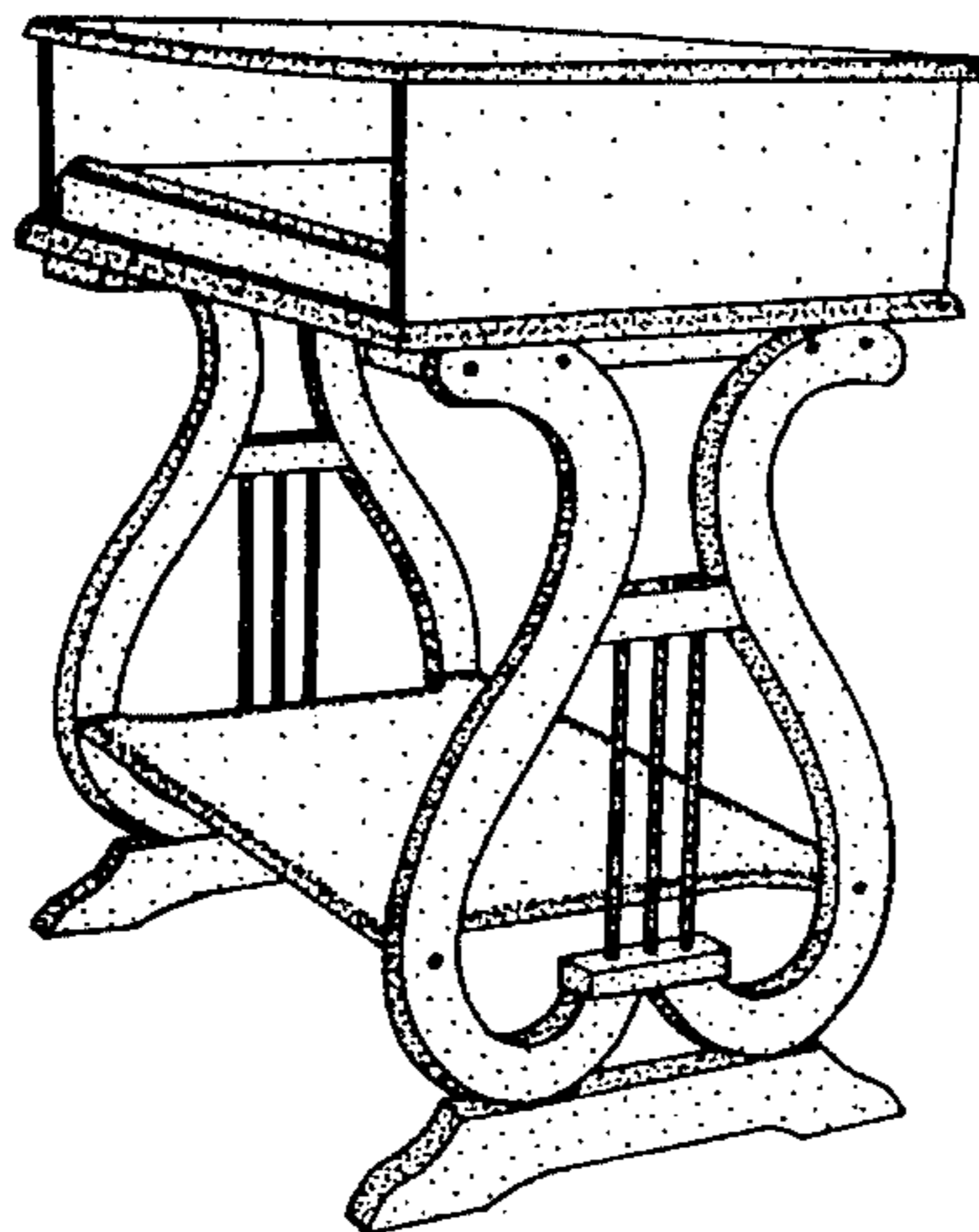
FIG. 5 is a left side elevational view thereof;

FIG. 6 is a top plan view thereof;

FIG. 7 is a bottom plan view thereof; and,

FIG. 8 is a perspective view with the pull-out shelf and the auxiliary shelf in extended condition.

1 Claim, 5 Drawing Sheets



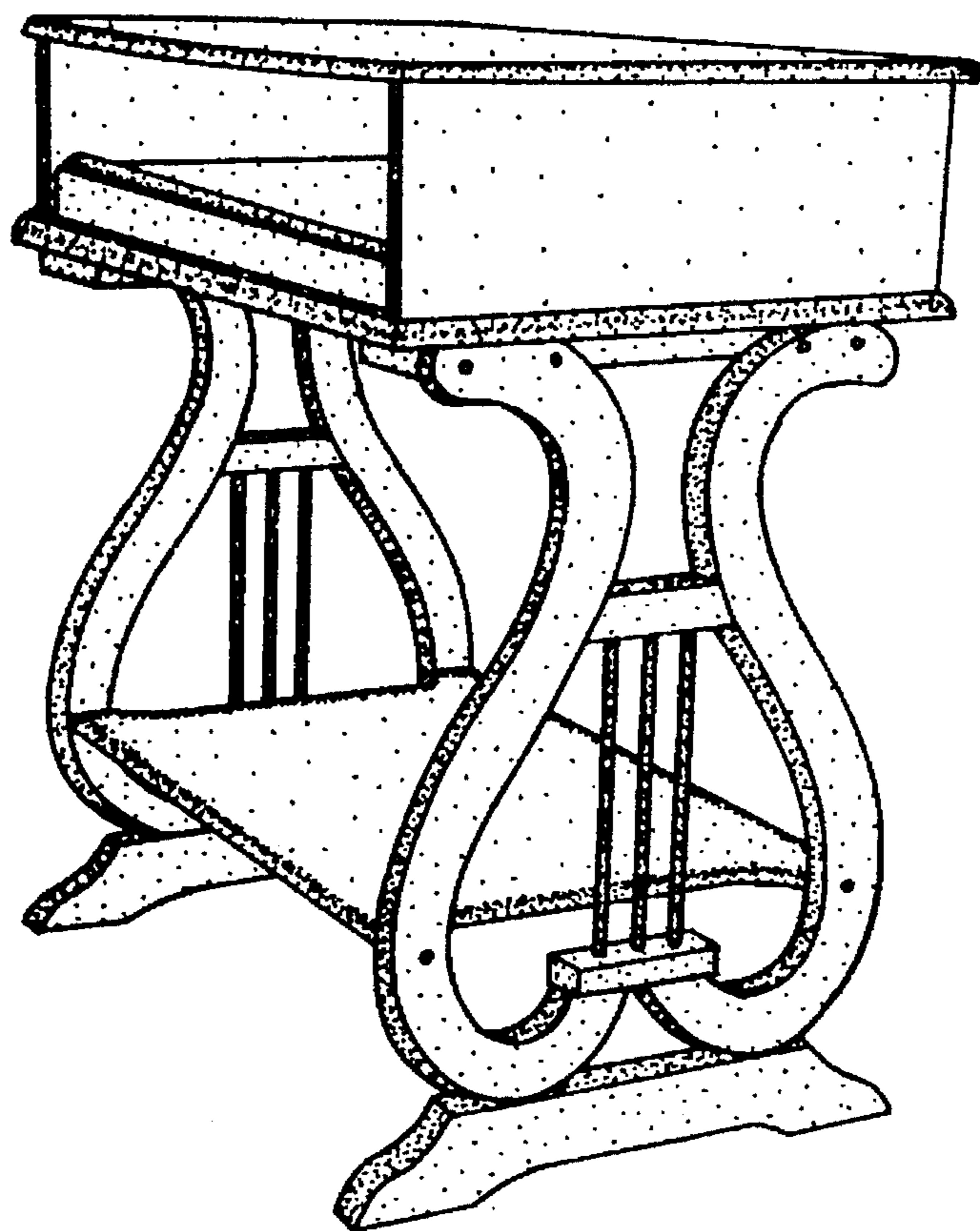


FIG. 1

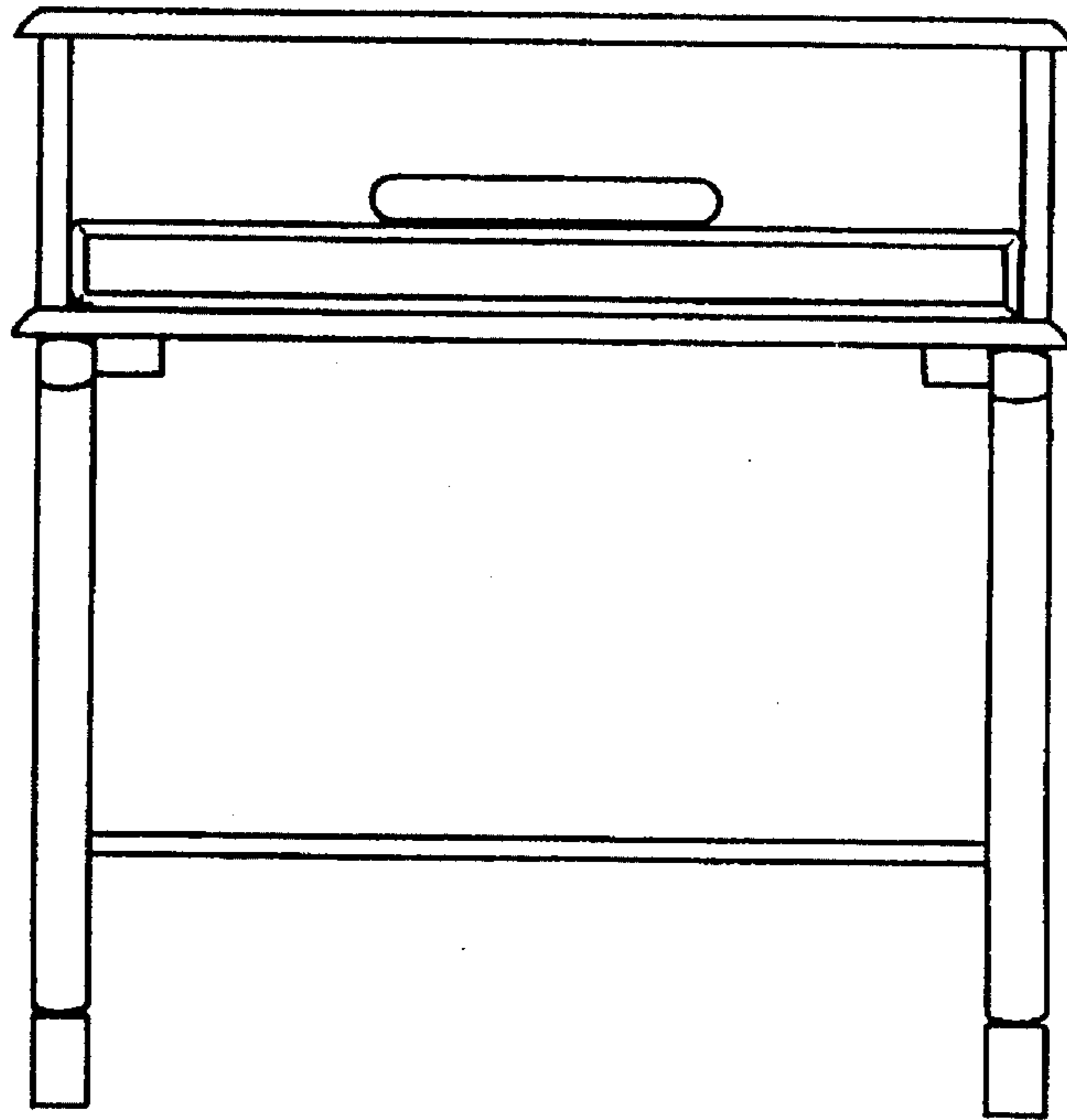


FIG. 2

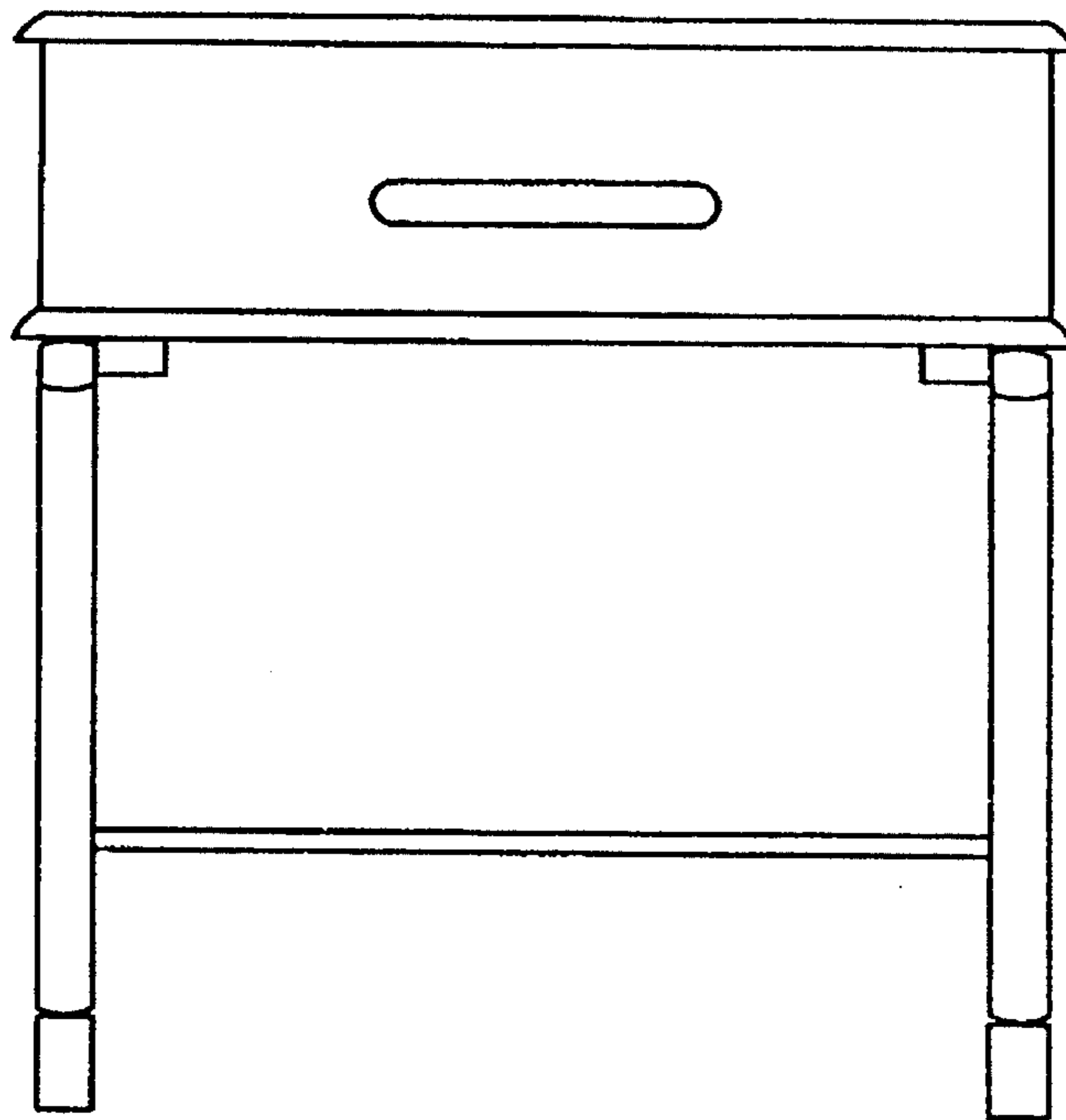


FIG. 3

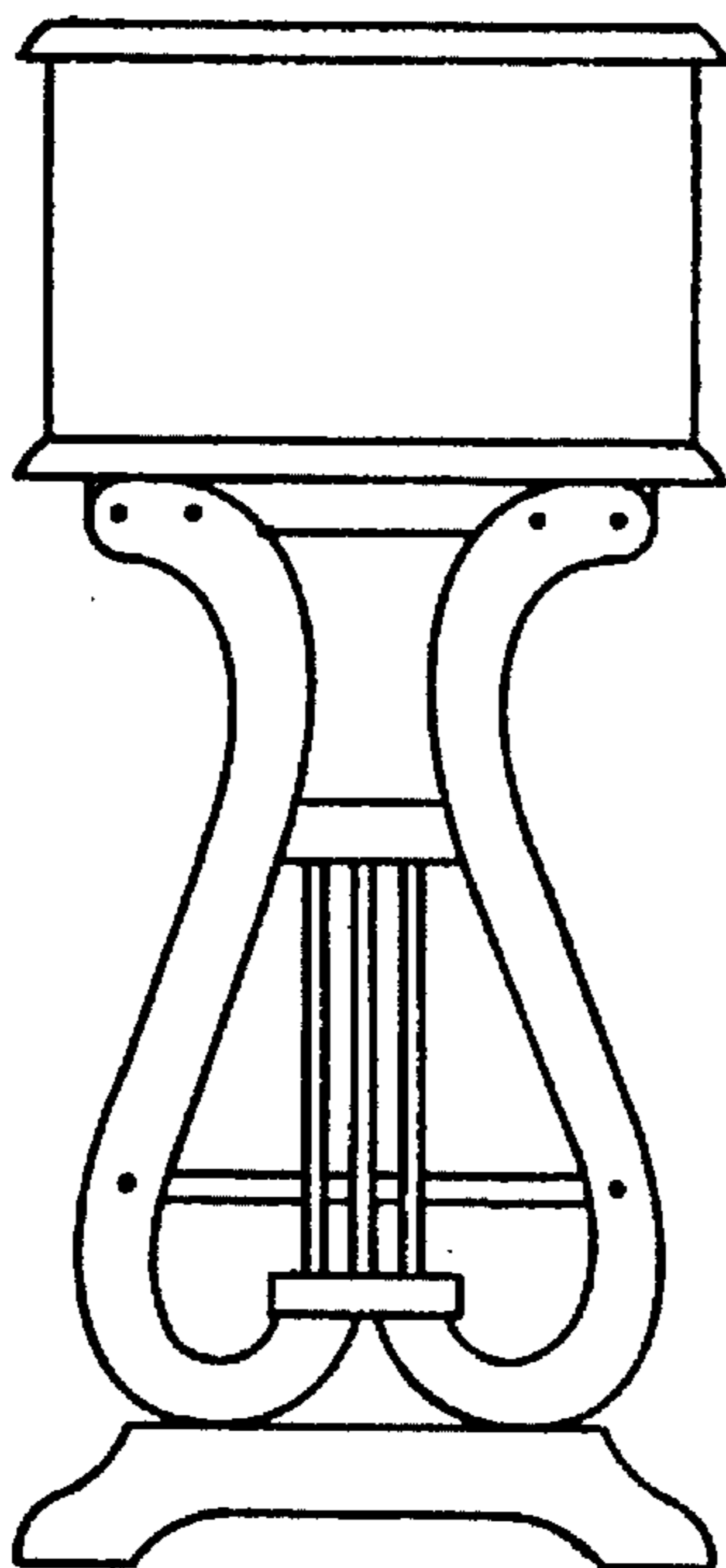


FIG. 4

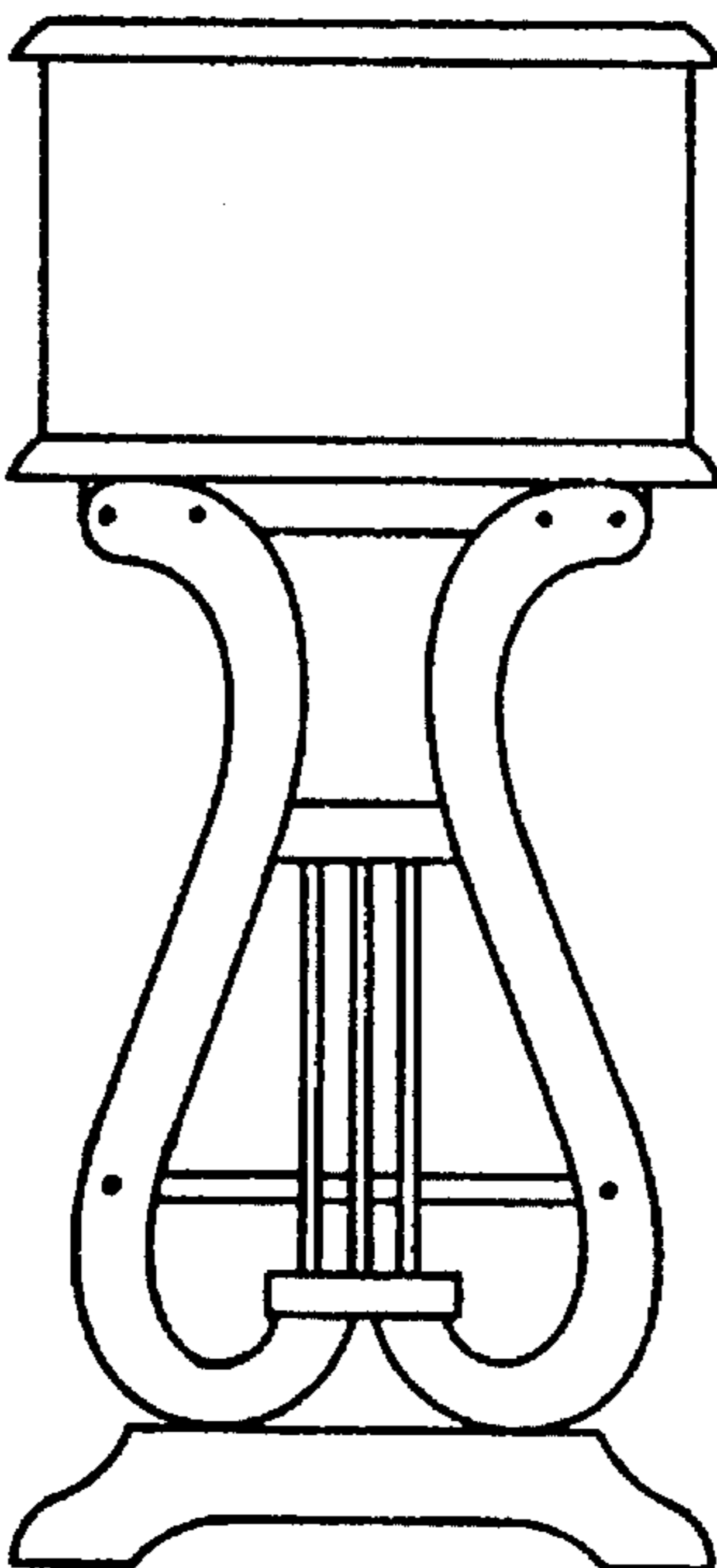


FIG. 5

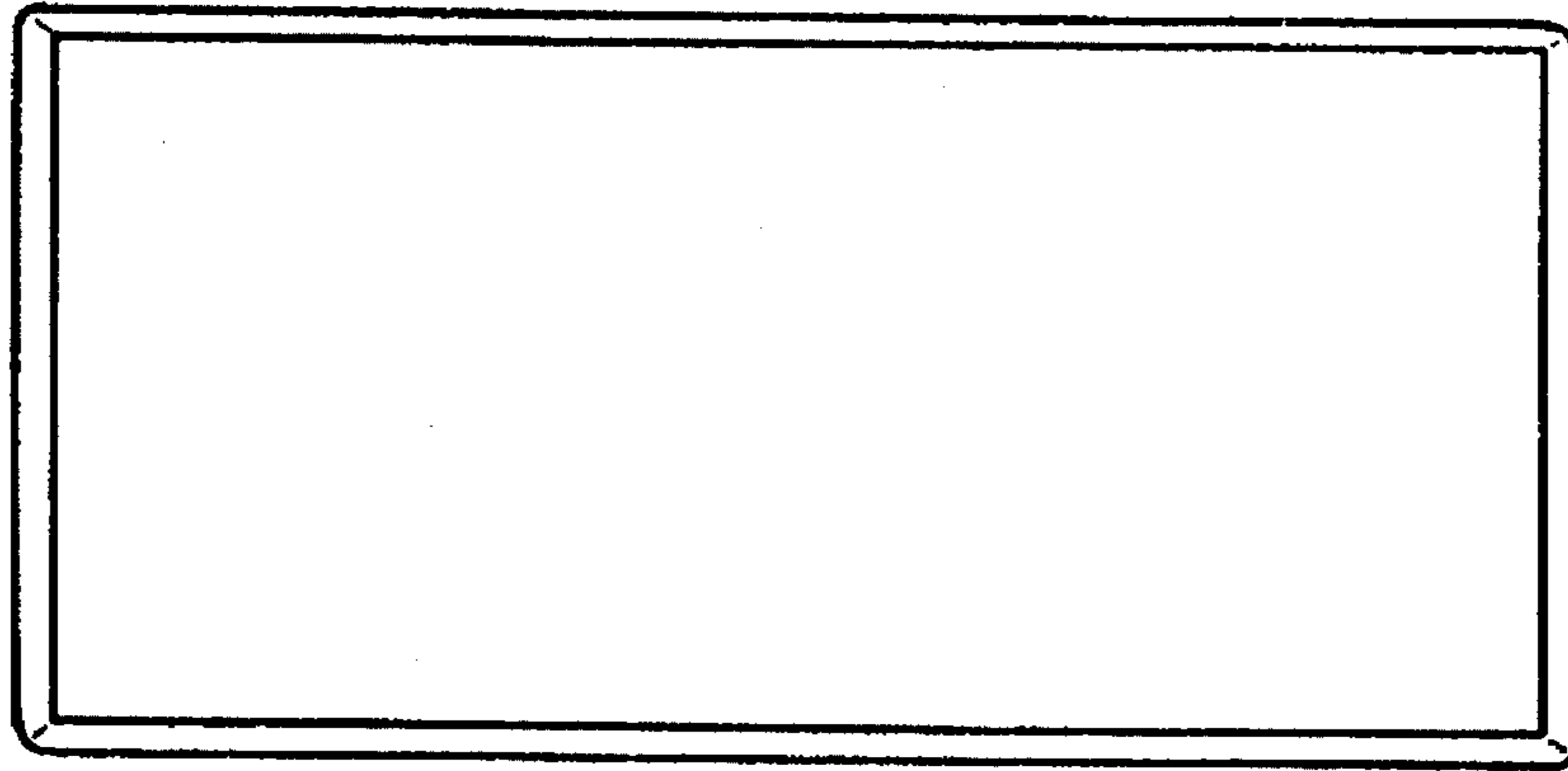


FIG. 6

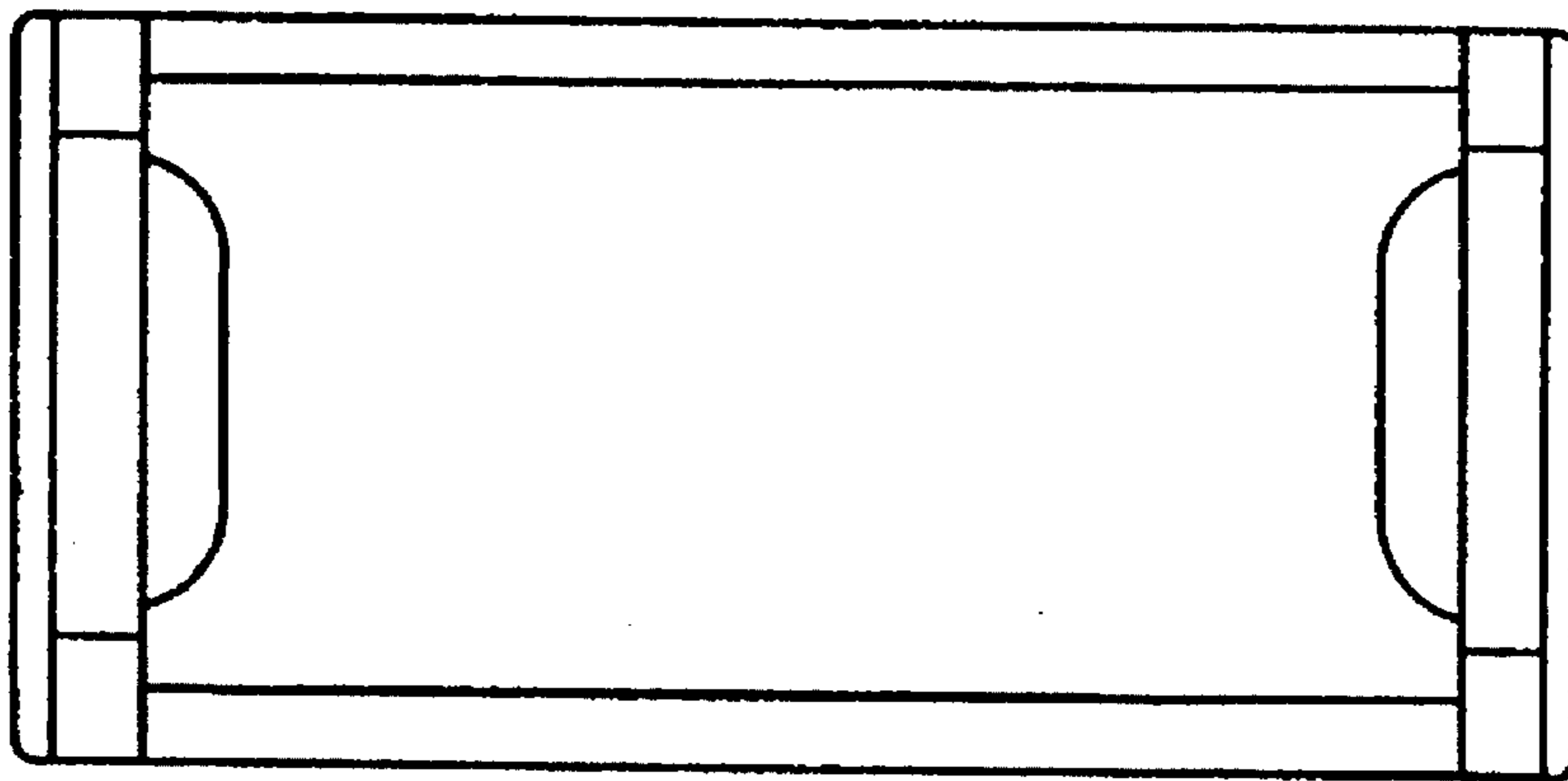


FIG. 7

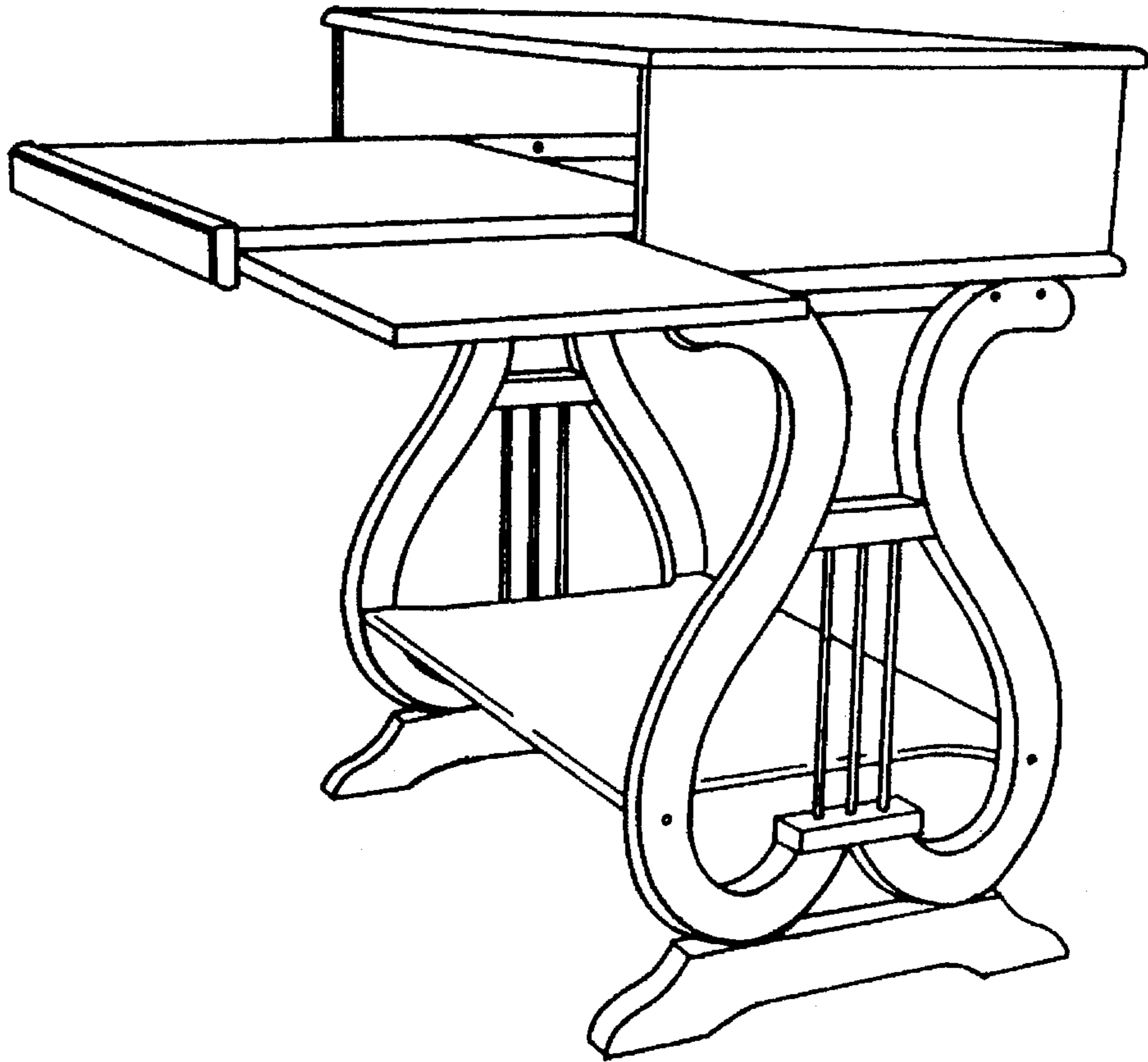


FIG. 8