



US00D376931S

United States Patent [19]
Fewchuk

[11] **Patent Number: Des. 376,931**
[45] **Date of Patent: **Dec. 31, 1996**

[54] **DESK**
[75] **Inventor: Michael A. Fewchuk, Eastwood, Australia**
[73] **Assignee: Sebel Furniture Limited, New South Wales, Australia**
[**] **Term: 14 Years**
[21] **Appl. No.: 41,628**
[22] **Filed: Jul. 18, 1995**
[30] **Foreign Application Priority Data**
Jan. 20, 1995 [AU] Australia 165/95
[52] **U.S. Cl. D6/425; D6/420; D6/484; D6/487**
[58] **Field of Search D6/480-489, 419, D6/420, 338, 406, 425; 108/14, 25, 26, 38, 40; 297/156, 170, 174**

2,902,325 9/1959 Knoblock et al. 108/124 X
3,108,550 10/1963 Knoblock 108/124
3,806,220 4/1974 Payne D6/484 X
4,094,255 6/1978 Zaccaria 108/25

Primary Examiner—Janice E. Seeger
Attorney, Agent, or Firm—Merchant, Gould, Smith, Edell, Welter & Schmidt, P.A.

[57] **CLAIM**

The ornamental design for a desk, as shown and described.

DESCRIPTION

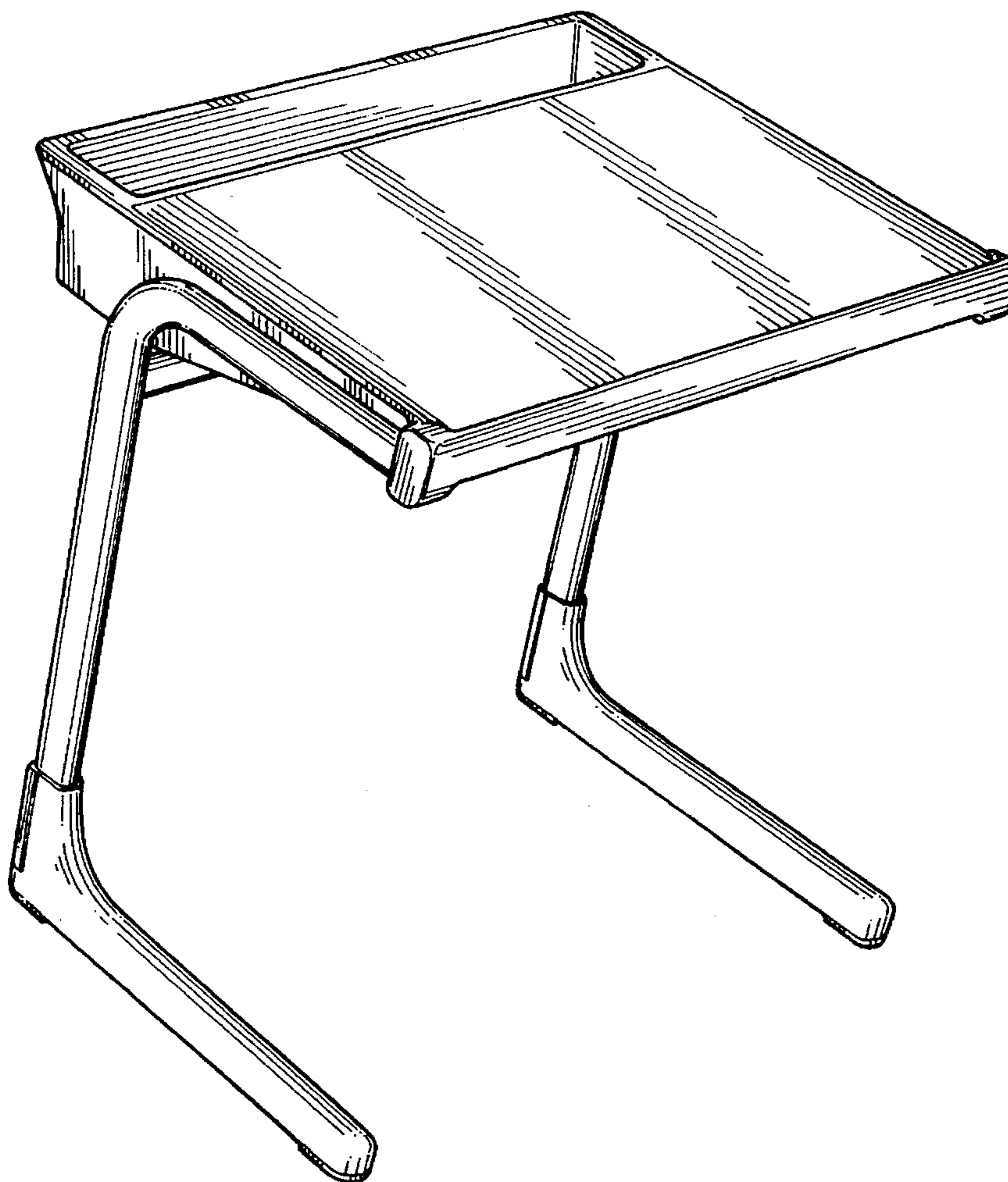
FIG. 1 is a perspective view from above and the rear of a desk showing my new design;
FIG. 2 is a top plan view thereof;
FIG. 3 is a front elevational view thereof;
FIG. 4 is a front elevational view thereof with the desk top tilted;
FIG. 5 is a rear elevational view thereof;
FIG. 6 is a rear elevational view thereof with the desk top tilted;
FIG. 7 is a bottom plan view thereof;
FIG. 8 is a right side elevational view thereof; and,
FIG. 9 is a left side elevational view thereof.

[56] **References Cited**

U.S. PATENT DOCUMENTS

D. 178,277 7/1956 Close D6/420
D. 273,163 3/1984 Halme D6/425 X
2,719,771 10/1955 Hoven et al. 108/150

1 Claim, 5 Drawing Sheets



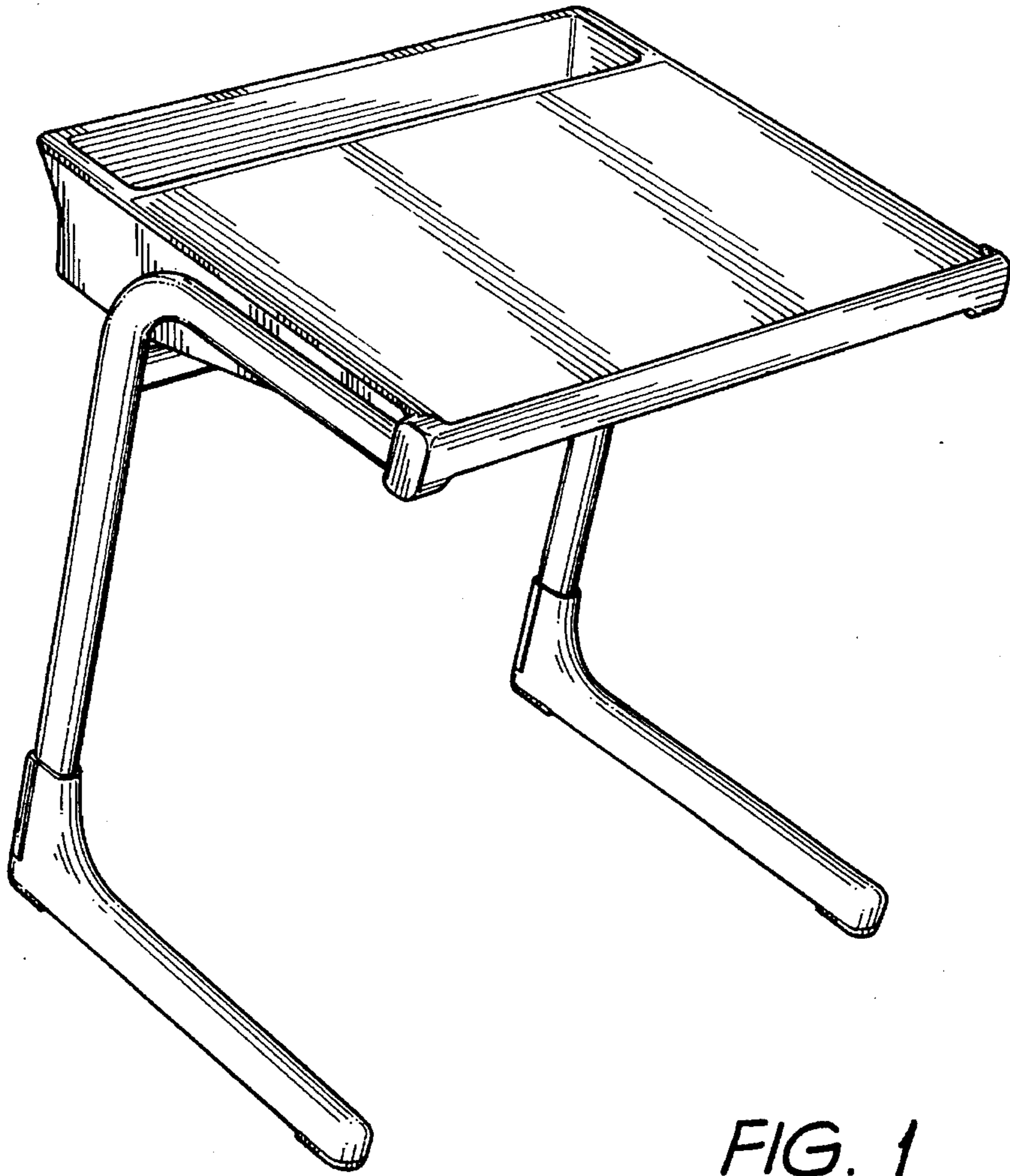


FIG. 1

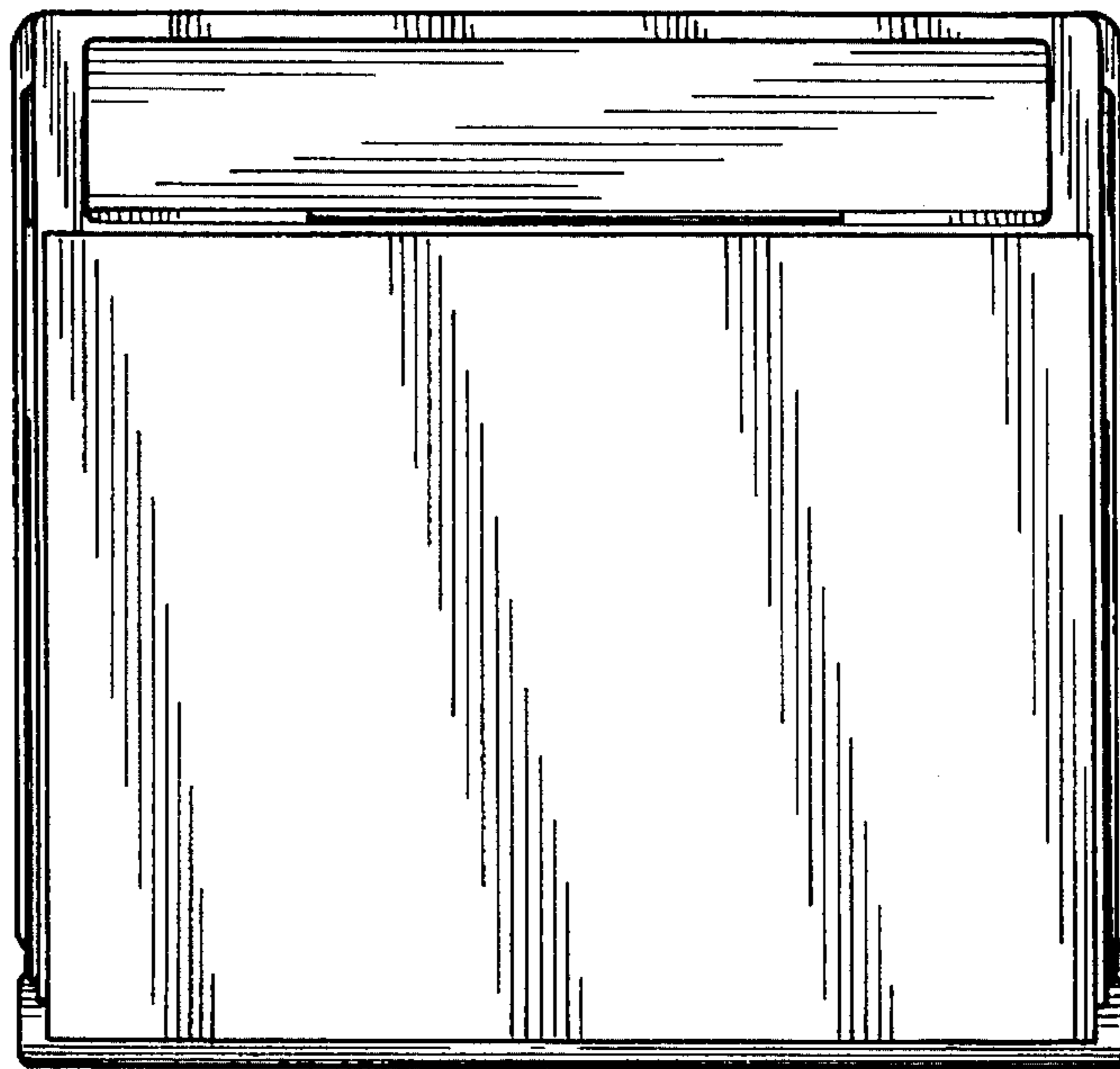


FIG. 2

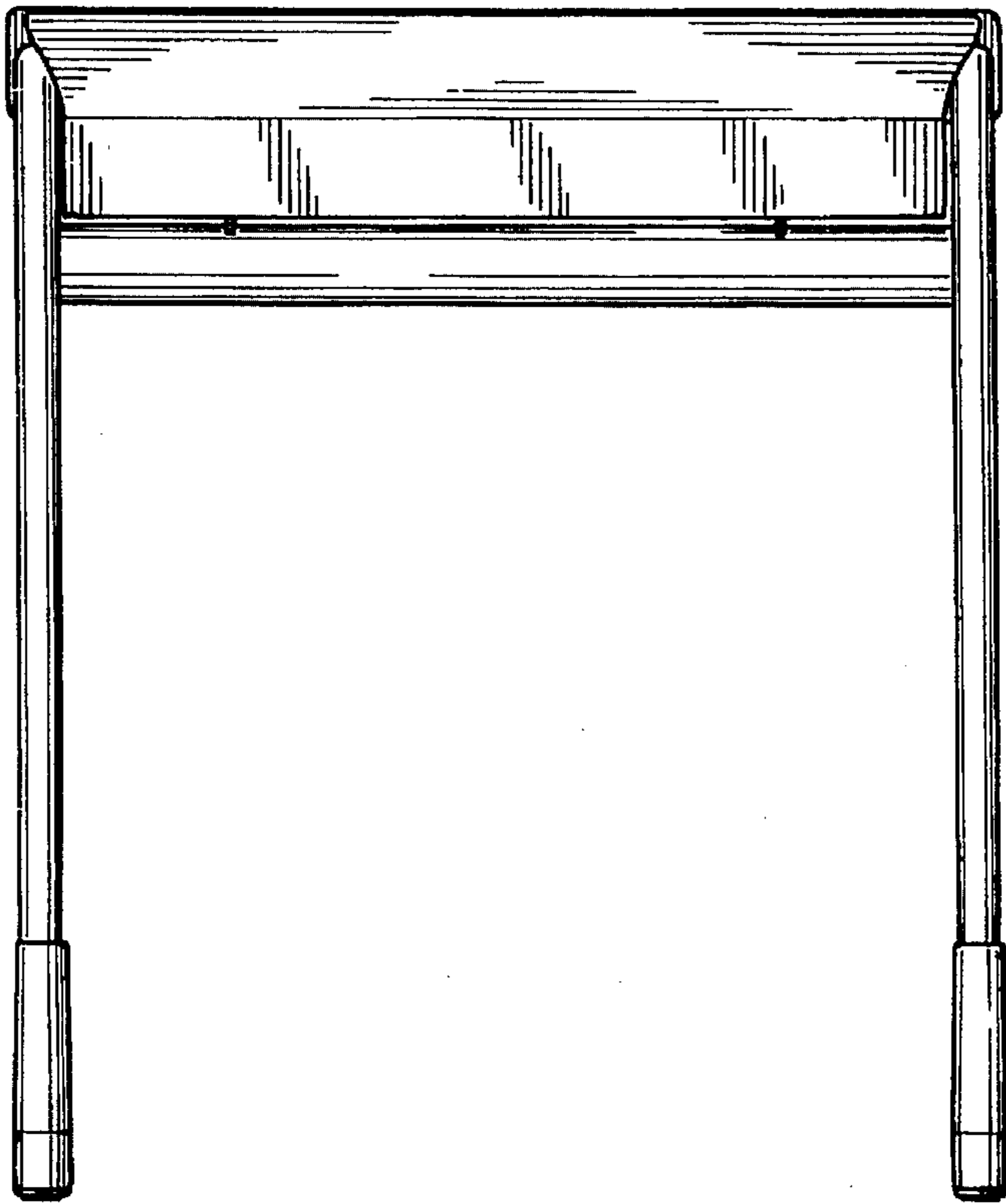


FIG. 3

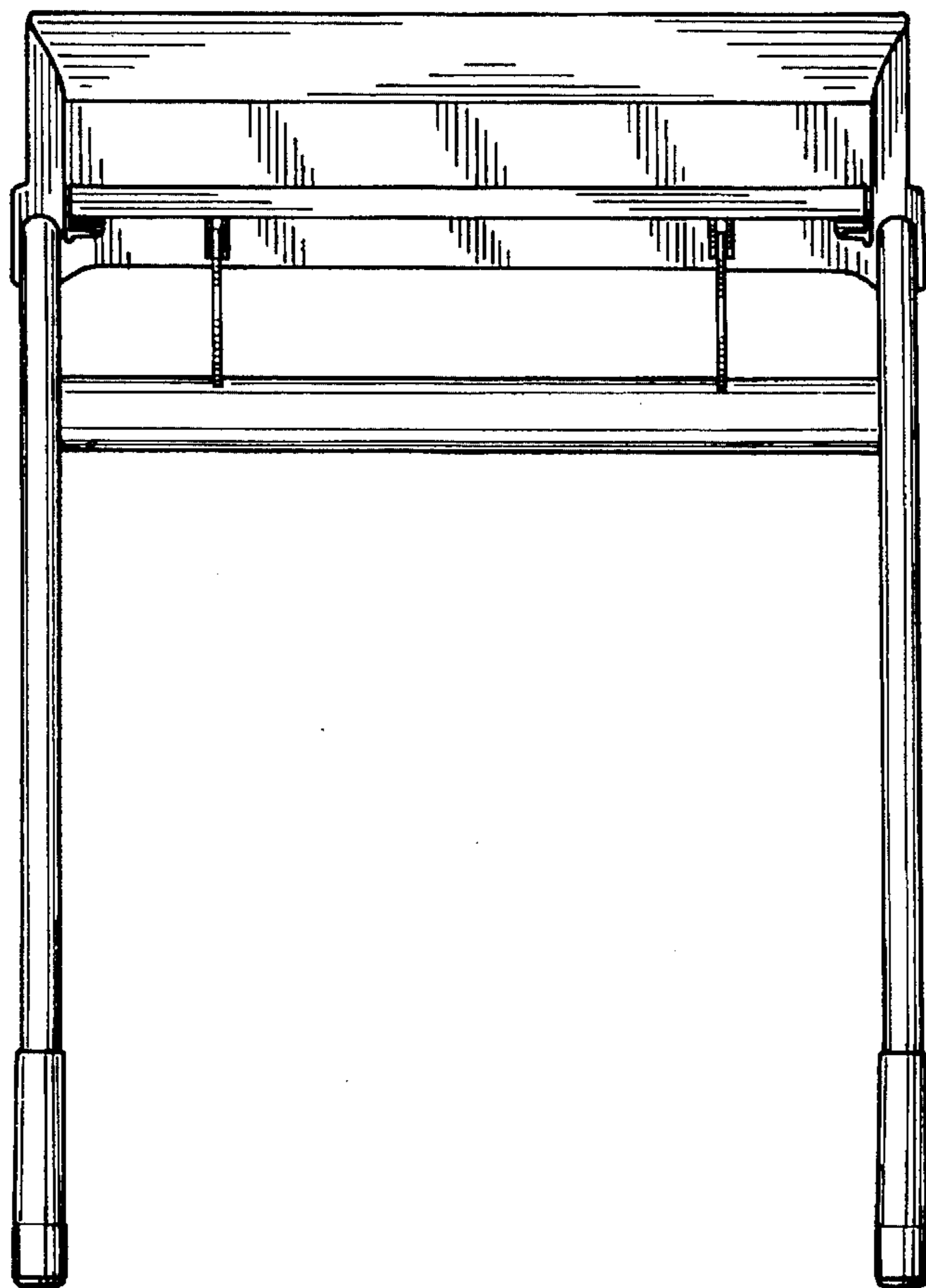


FIG. 4

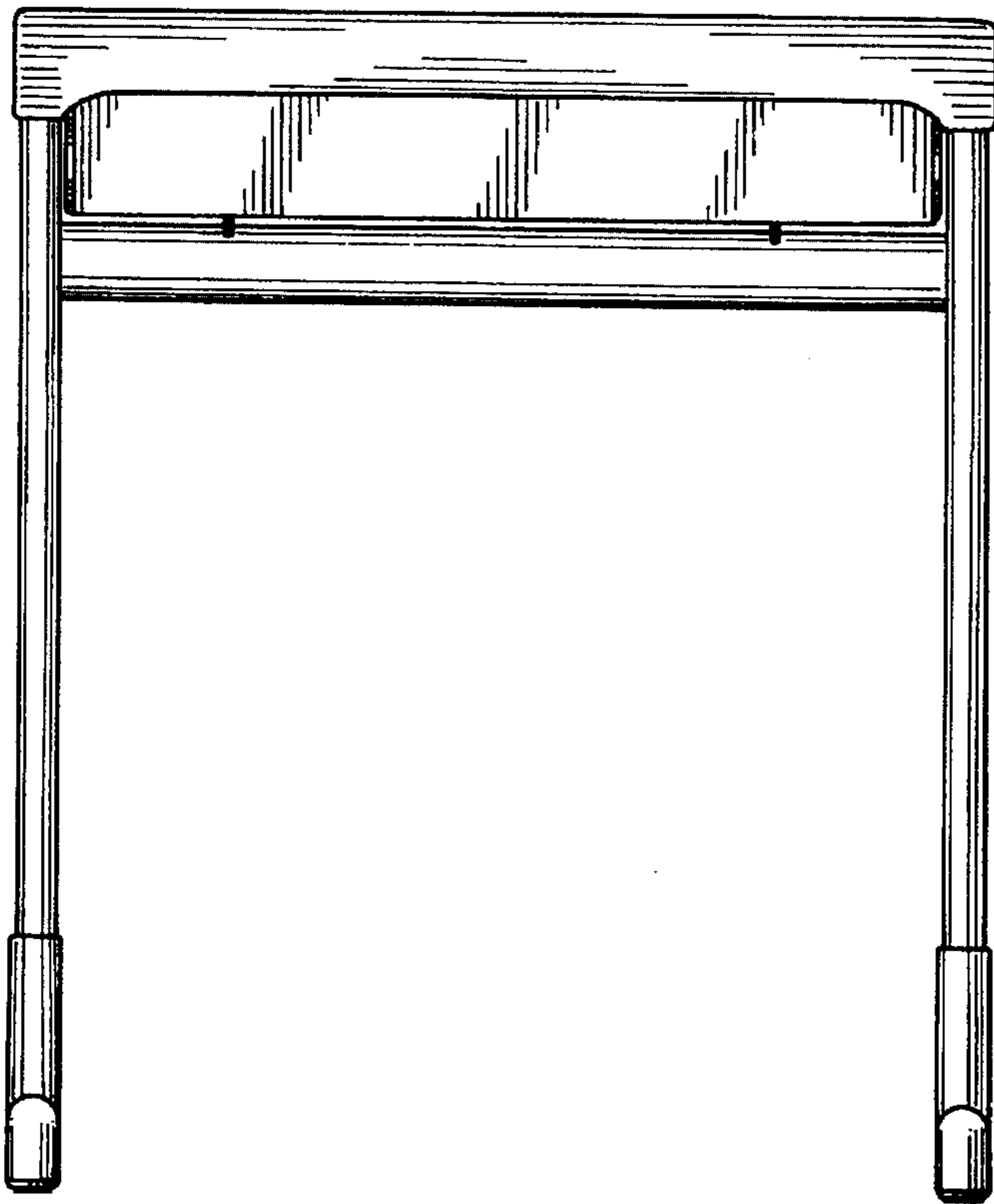


FIG. 5

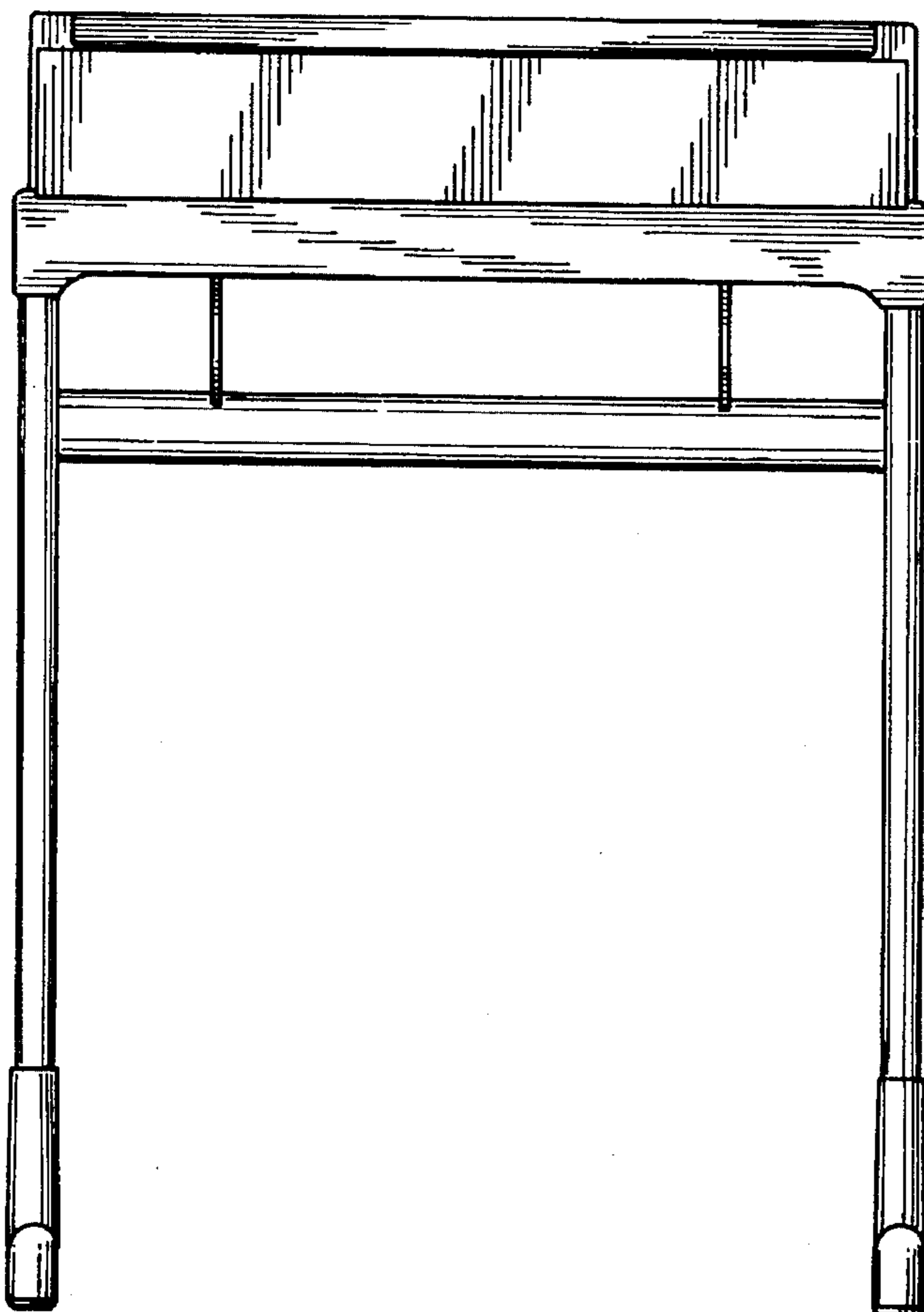


FIG. 6

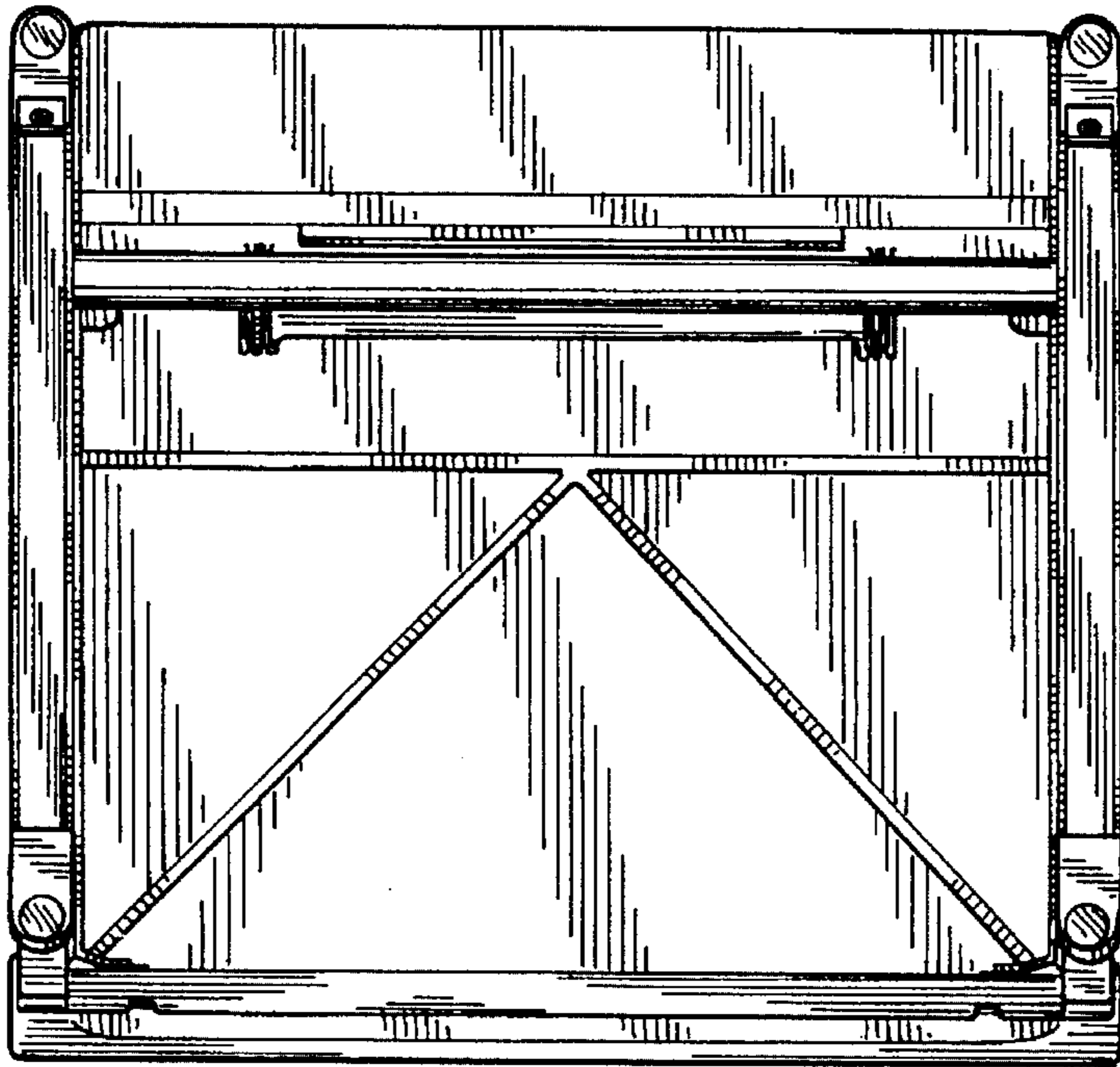


FIG. 7

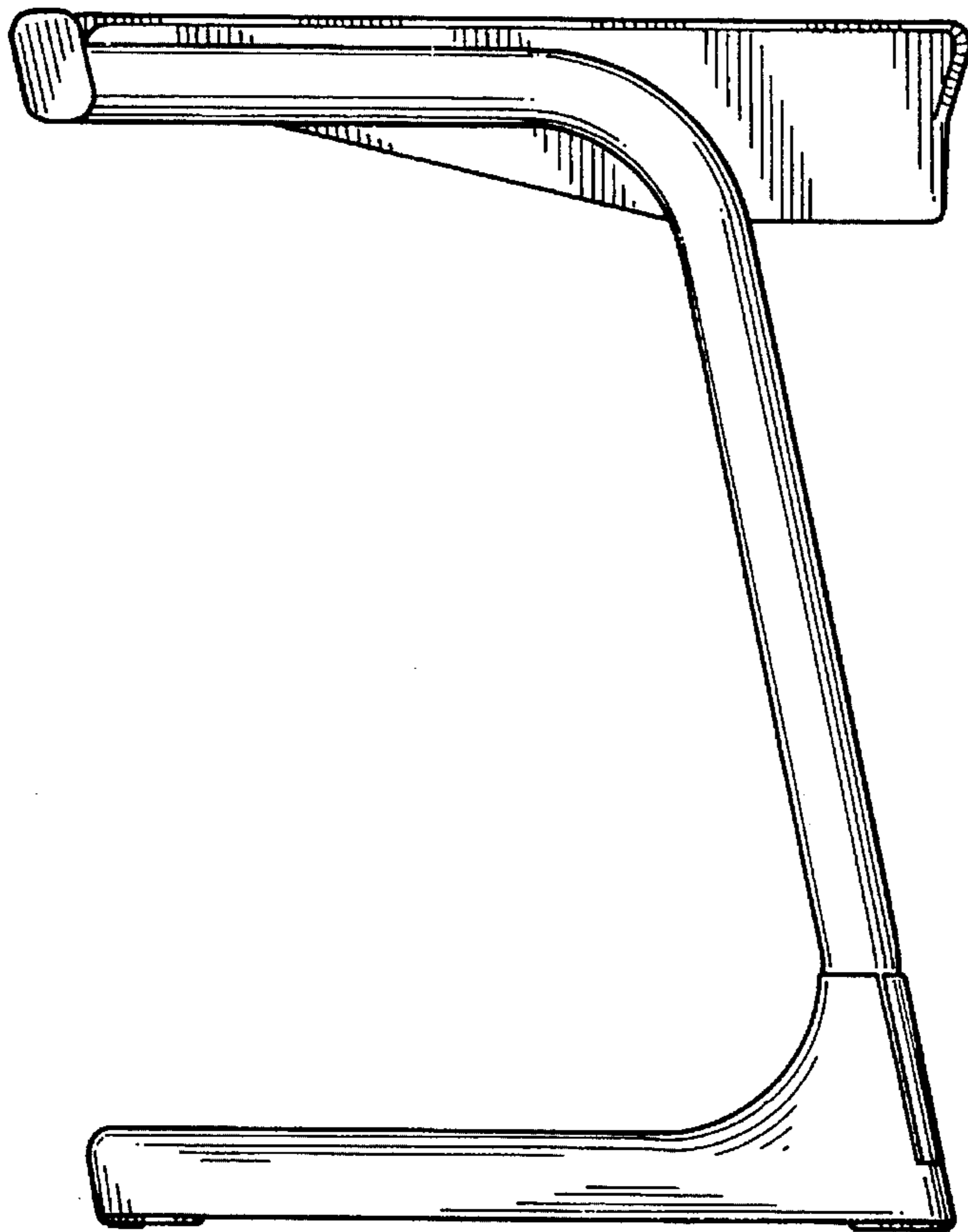


FIG. 8

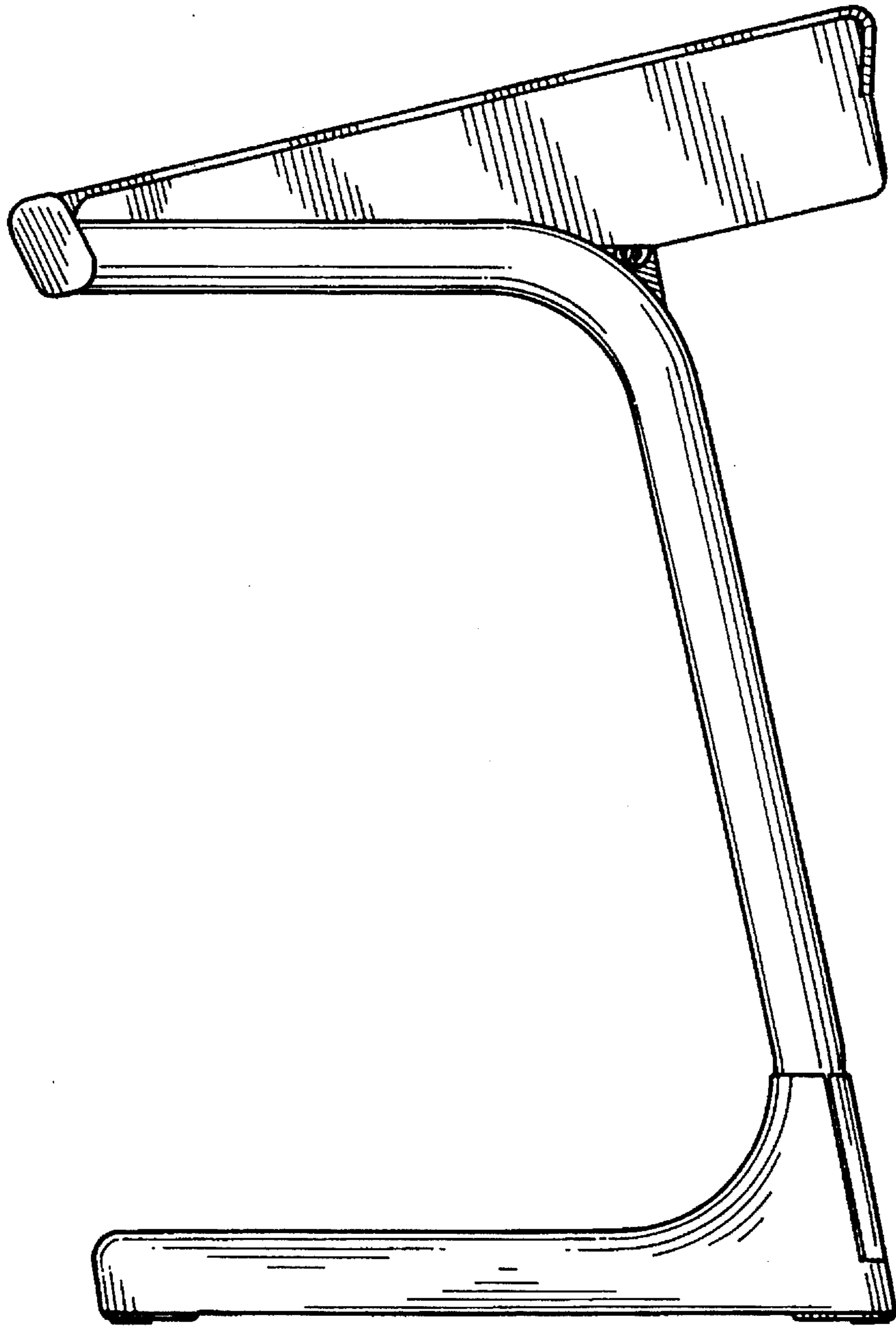


FIG. 9