



US00D376930S

United States Patent [19]

Kotkosky

[11] Patent Number: **Des. 376,930**

[45] Date of Patent: ****Dec. 31, 1996**

[54] **DESKTOP PODIUM**

[76] Inventor: **Stan Kotkosky**, 16422 Gentry La.,
Huntington Beach, Calif. 92647

[**] Term: **14 Years**

[21] Appl. No.: **44,878**

[22] Filed: **Oct. 2, 1995**

D. 211,885	8/1968	Korman	D16/232
D. 364,049	11/1995	Lechman	D6/419
3,367,290	2/1968	Barecki	108/50
3,373,703	3/1968	Barecki	108/50

Primary Examiner—Carmen H. Vales-Lado
Attorney, Agent, or Firm—Dennis W. Beech

[57] CLAIM

The ornamental design for a desktop podium, as shown and described.

Related U.S. Application Data

[63] Continuation-in-part of Ser. No. 23,076, May 17, 1994, abandoned.

[52] U.S. Cl. **D6/419**; D6/398; D6/422

[58] Field of Search D6/396, 397, 399,
D6/419-431; D16/232, 233, 235; 312/9.1,
223.2, 223.2, 194-196; D14/103; 108/50

DESCRIPTION

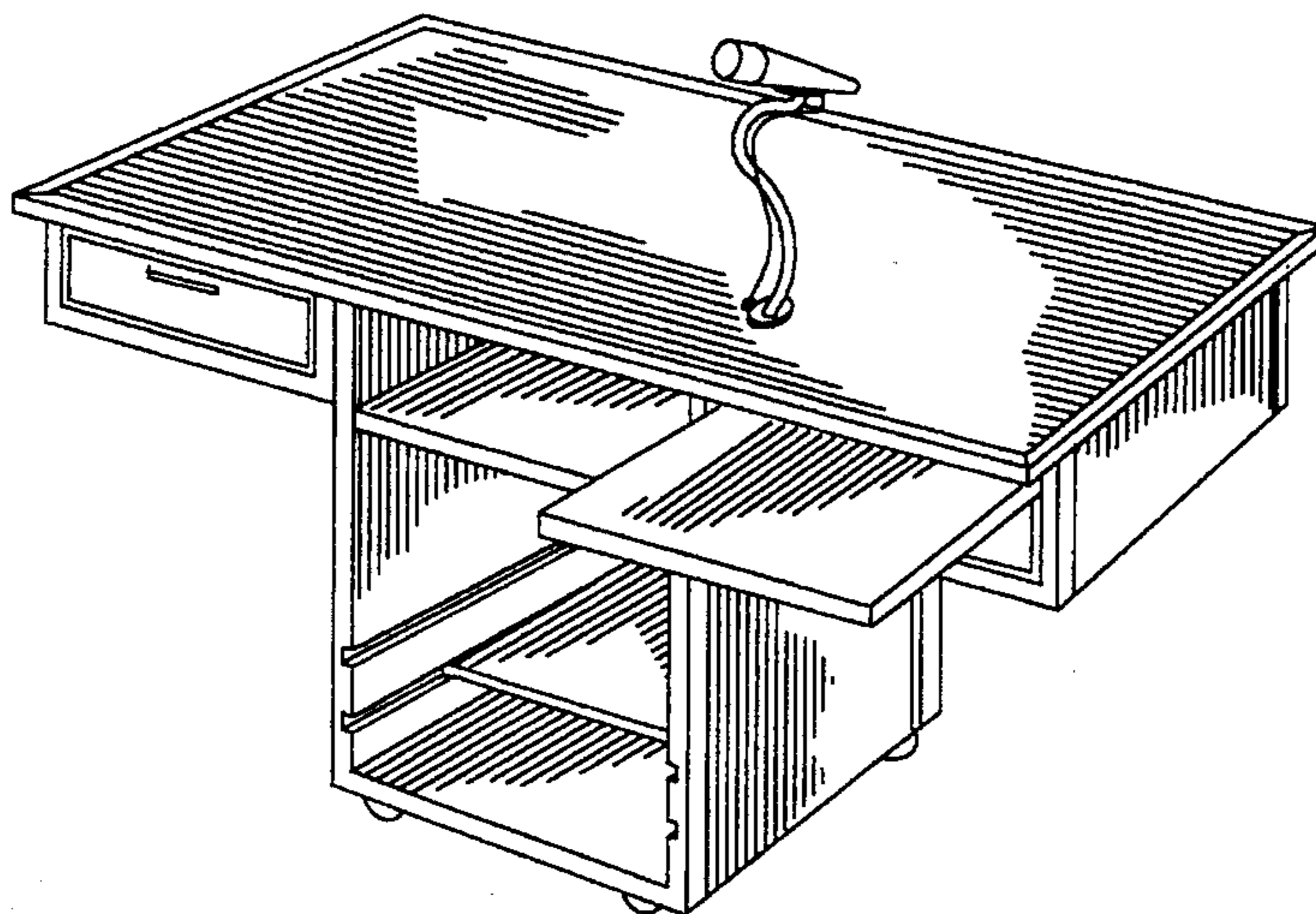
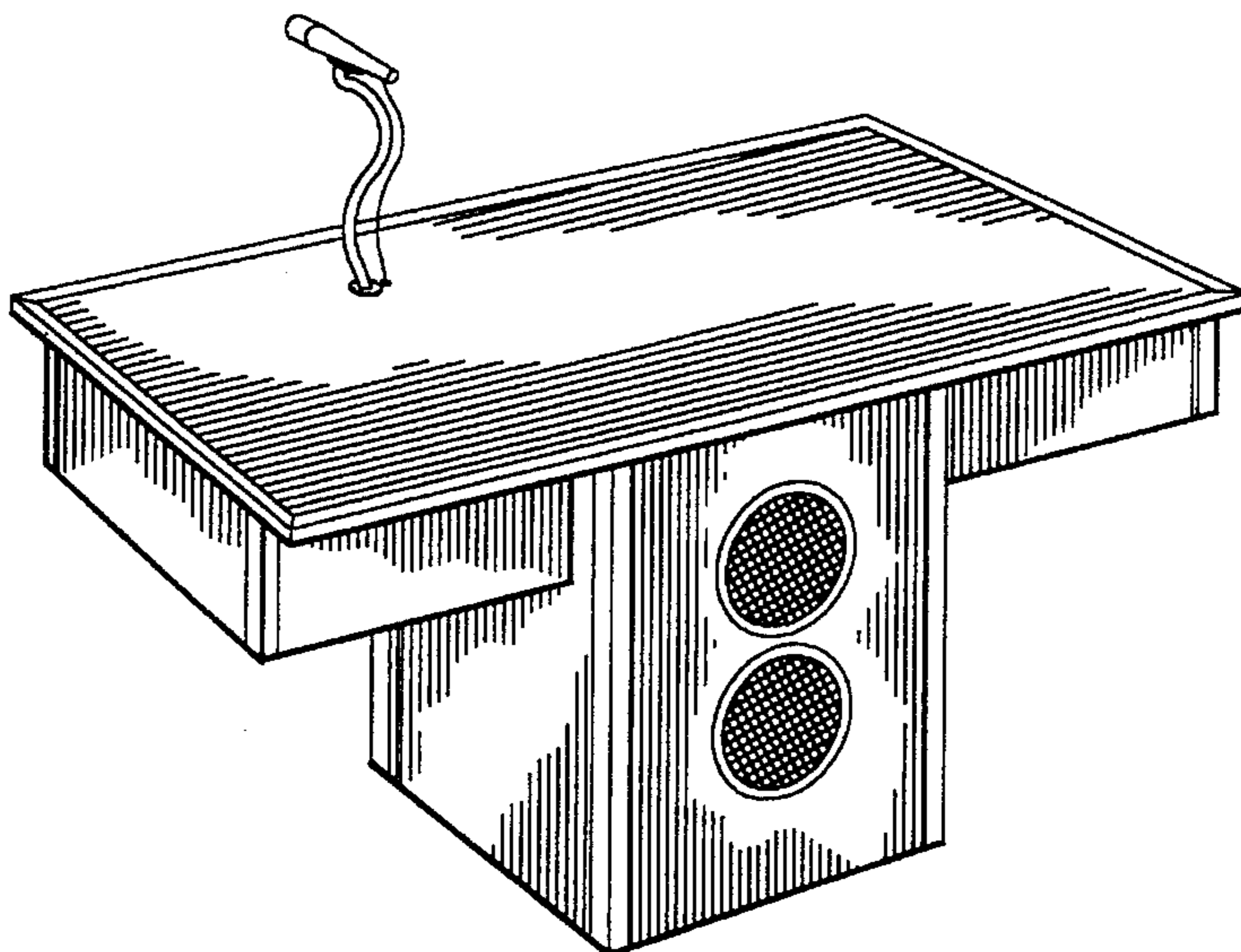
FIG. 1 is a front elevational view of a desktop podium showing my new design;
FIG. 2 is a right side elevational view thereof;
FIG. 3 is a right side elevational view thereof;
FIG. 4 is a left side elevational view thereof;
FIG. 5 is a bottom plan view thereof;
FIG. 6 is a top plan view thereof;
FIG. 7 is a front perspective view thereof; and,
FIG. 8 is a rear perspective view thereof.

[56] References Cited

U.S. PATENT DOCUMENTS

D. 187,164	2/1960	Fitz	D16/232
D. 208,709	9/1967	Barecki	D16/232 X

1 Claim, 2 Drawing Sheets



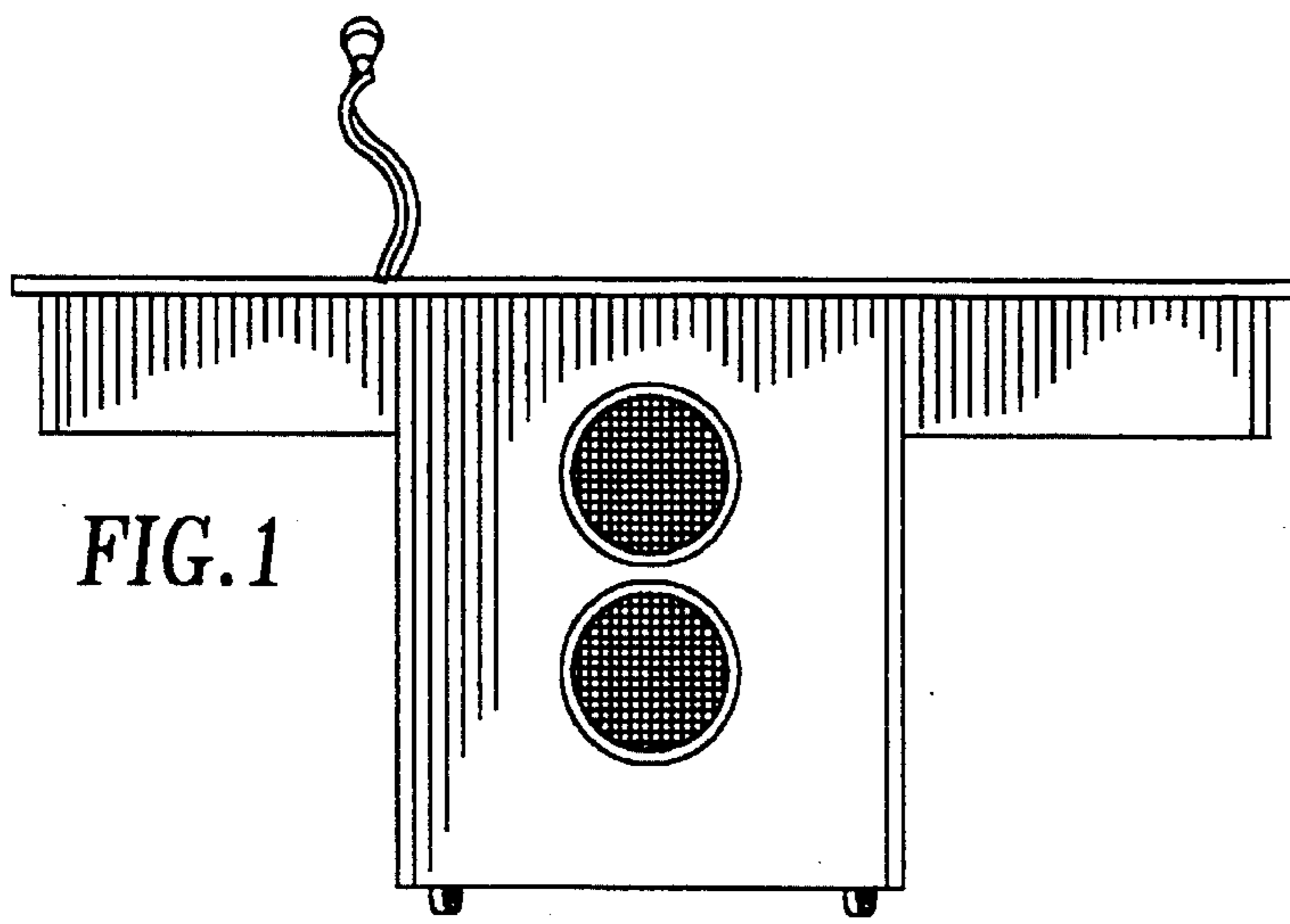


FIG. 1

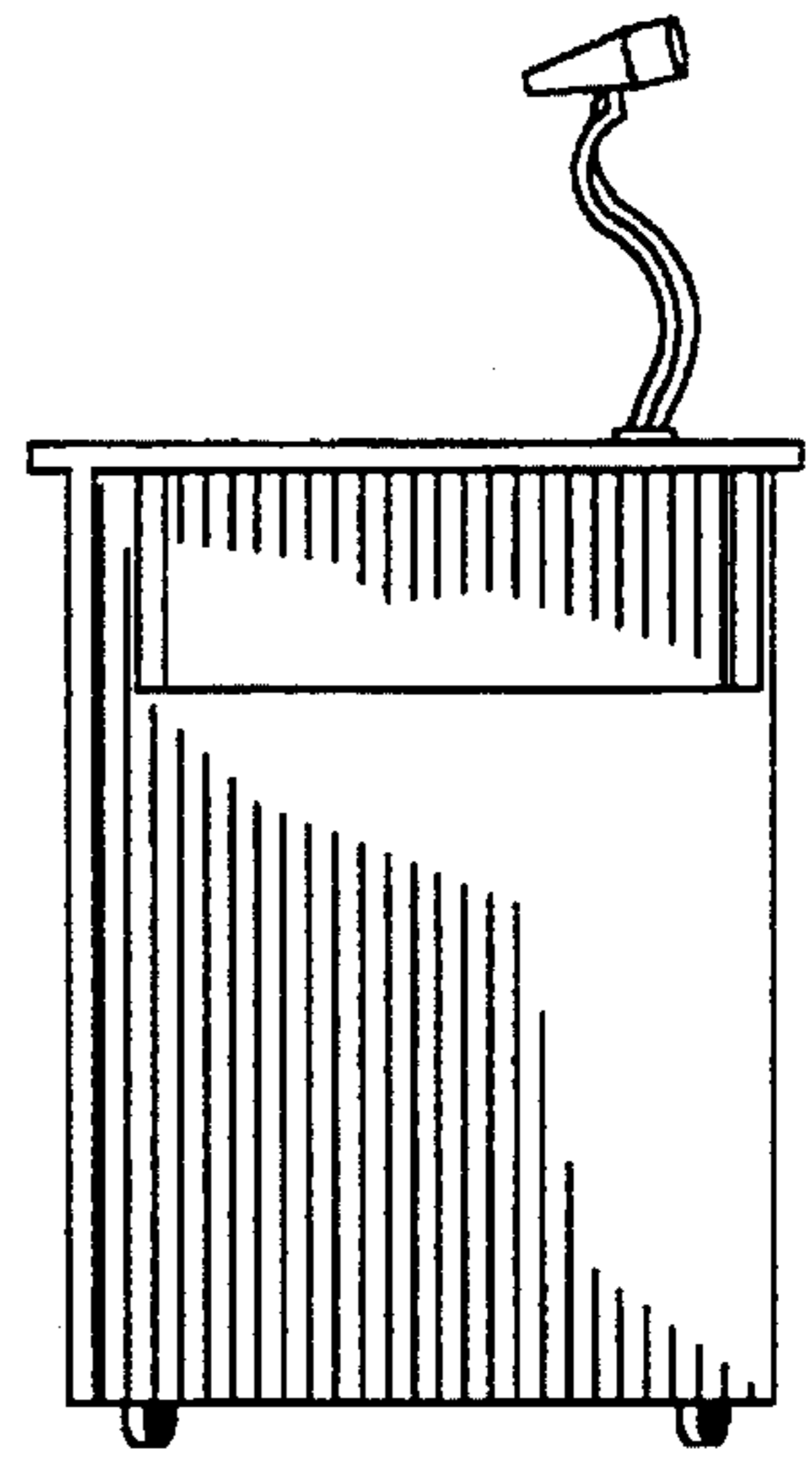


FIG. 2

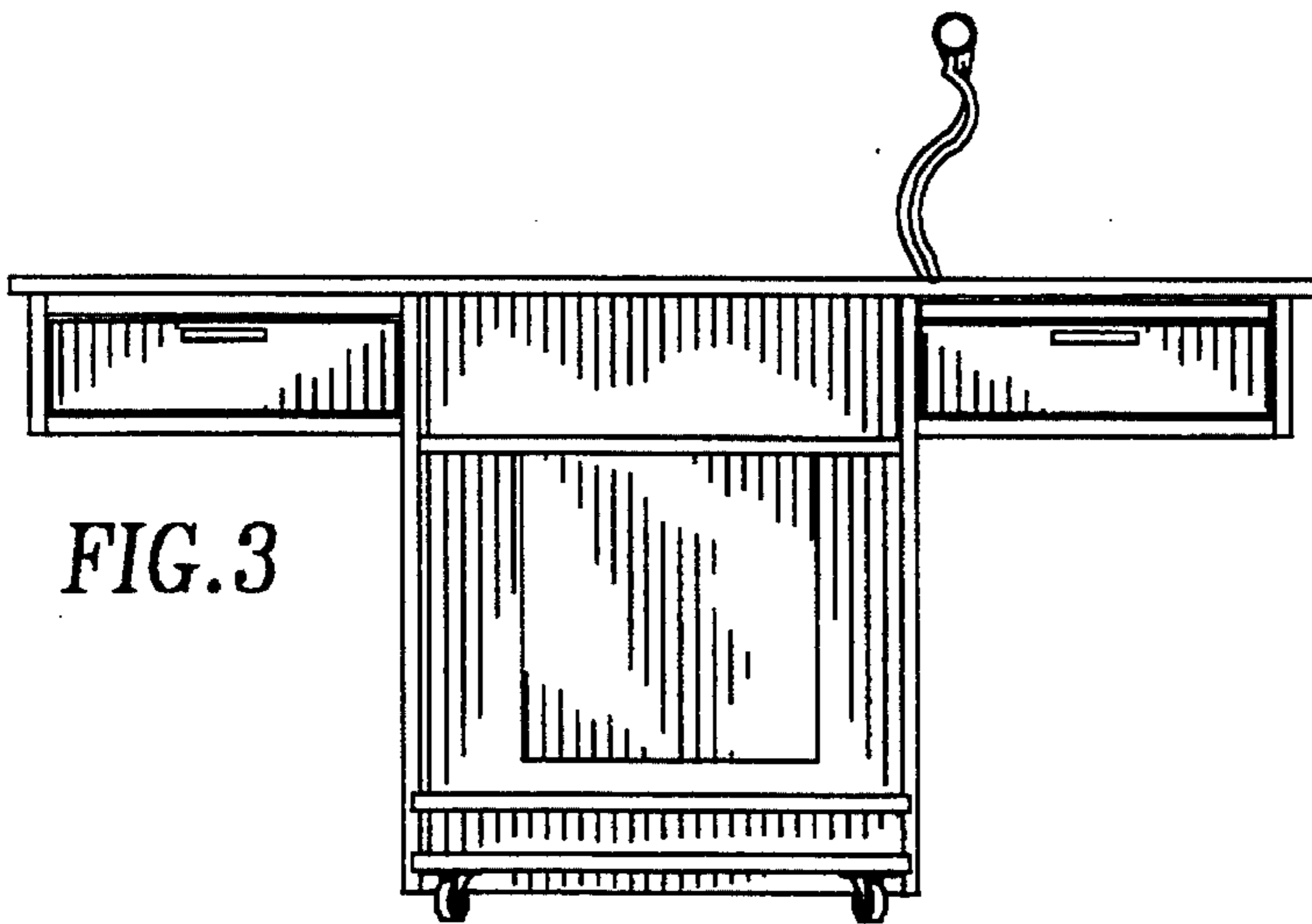


FIG. 3

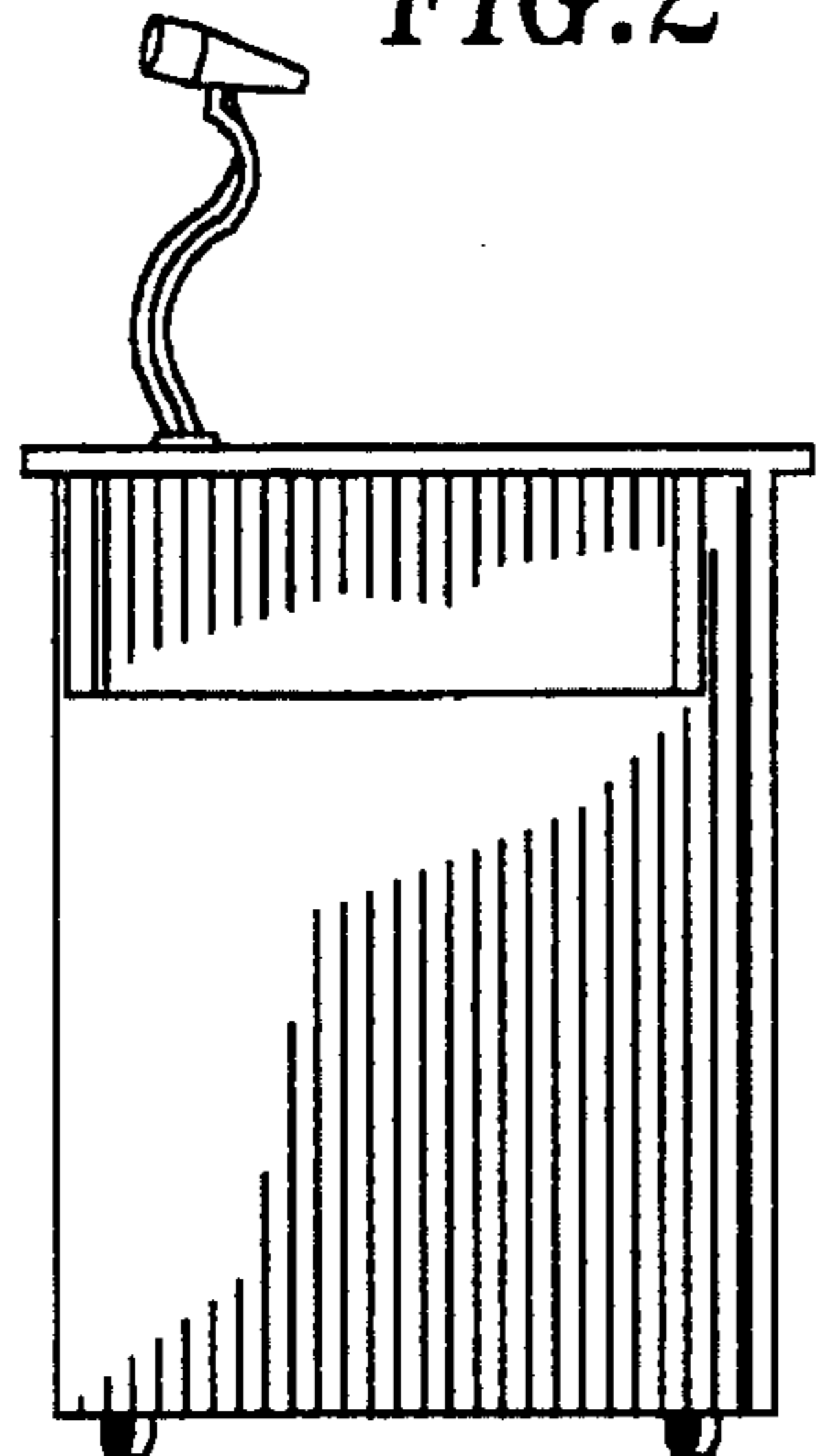


FIG. 4

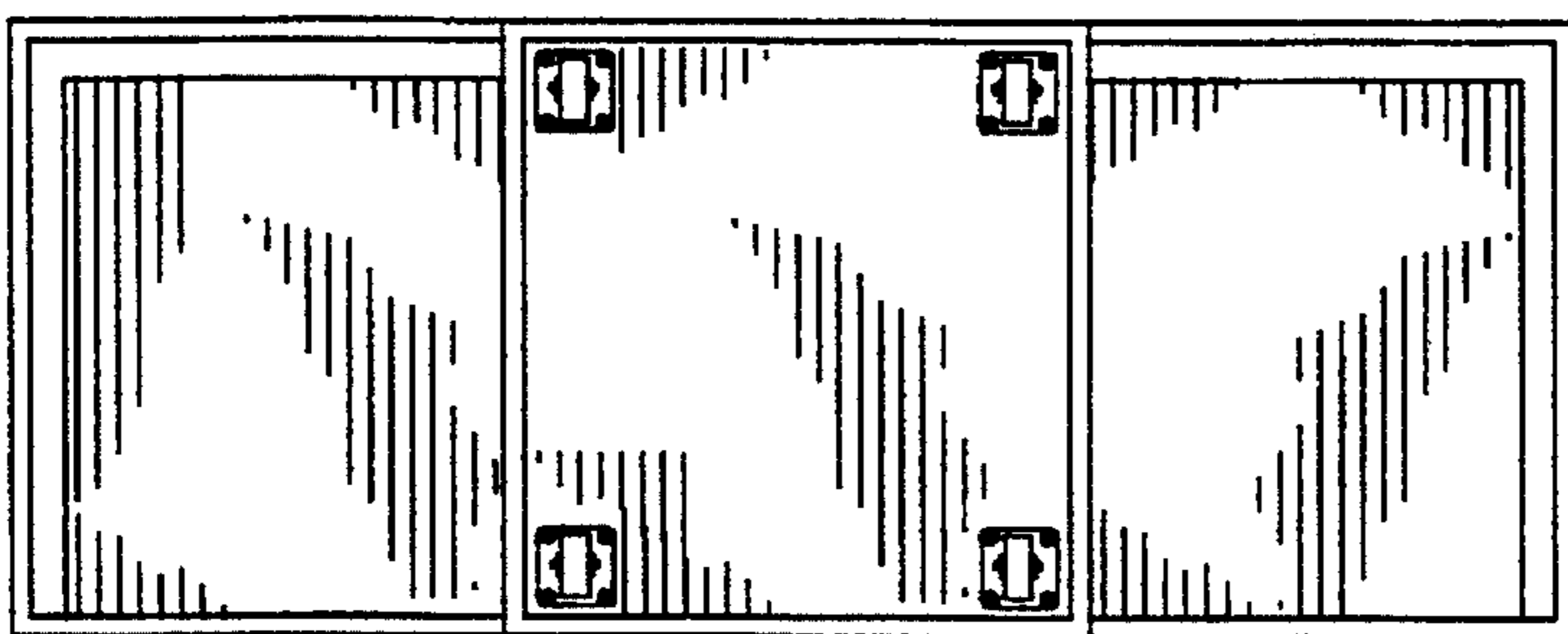


FIG. 5

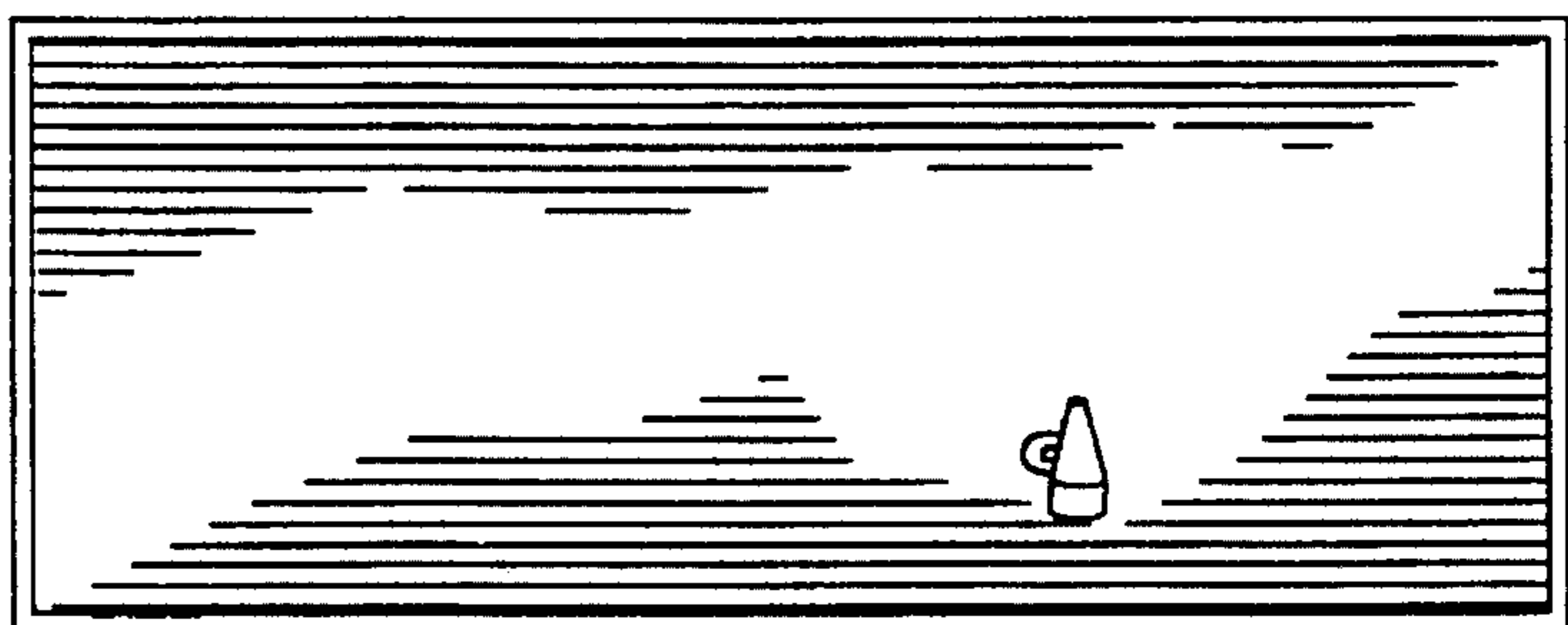


FIG. 6

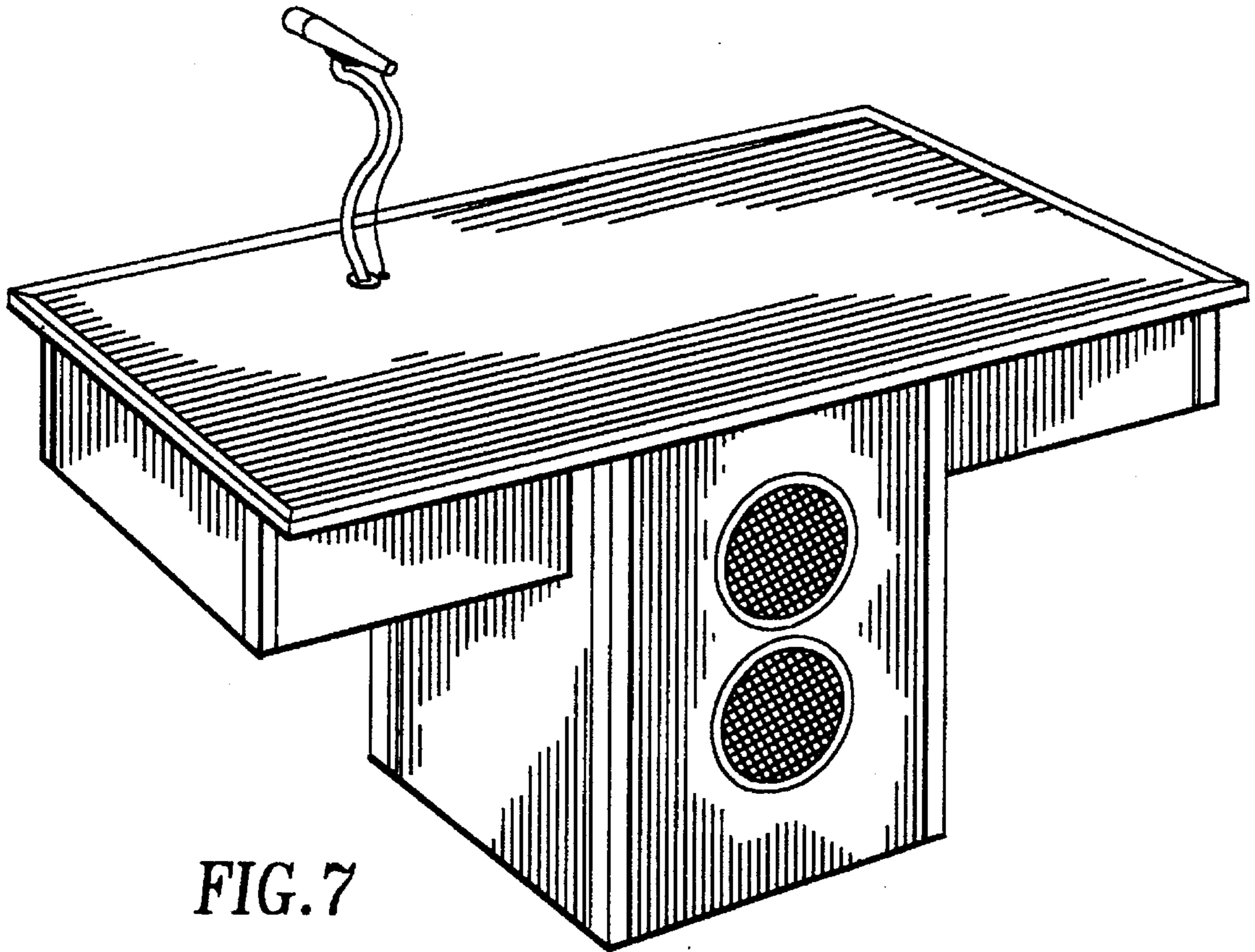


FIG. 7

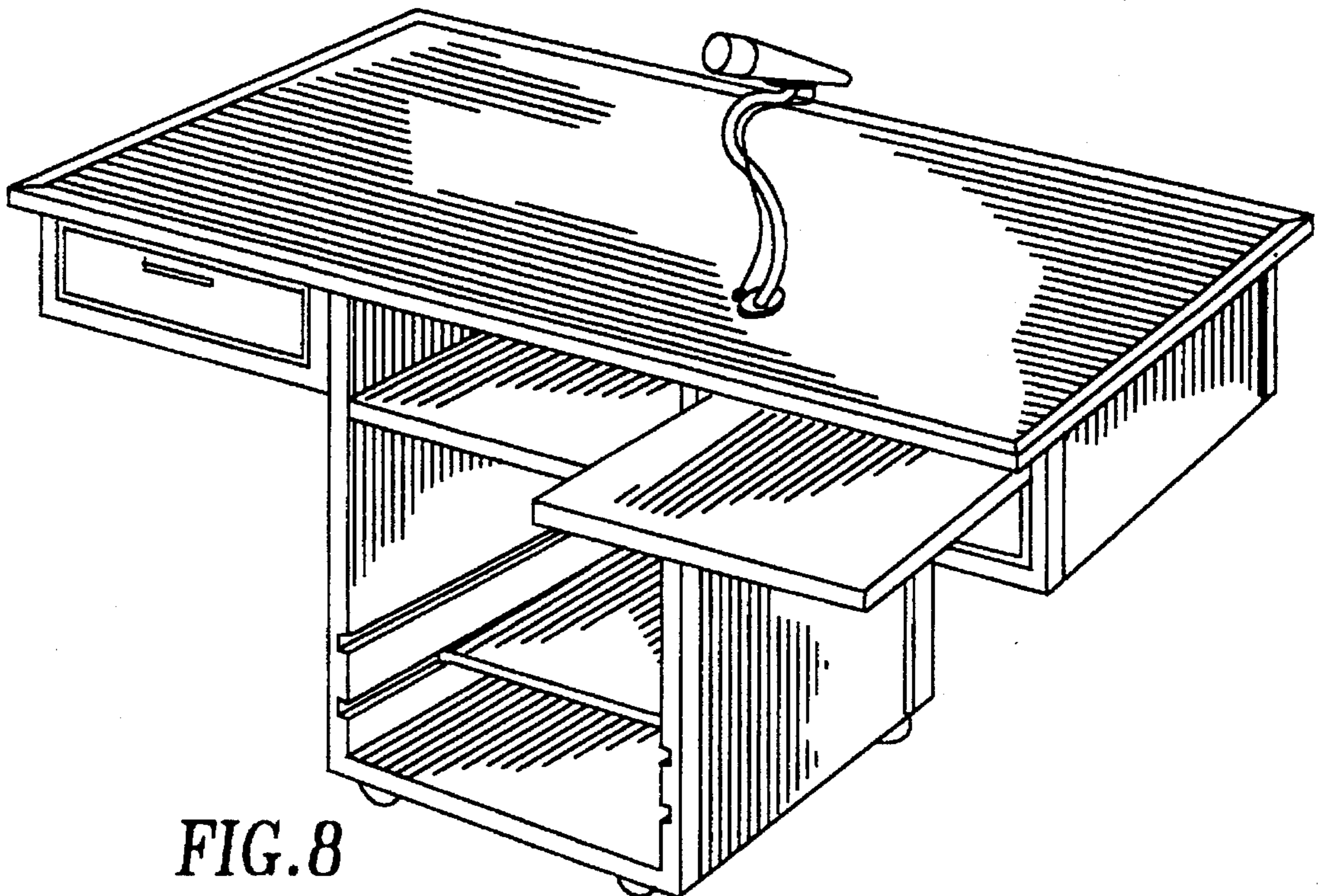


FIG. 8