



US00D376929S

**United States Patent** [19]  
**Tranquilli**

[11] **Patent Number: Des. 376,929**

[45] **Date of Patent: \*\*Dec. 31, 1996**

[54] **GARMENT DISPLAY RACK WITH MOVABLE FRAMES**

[75] Inventor: **Eugenio Tranquilli**, Ponzano Veneto, Italy

[73] Assignee: **Benetton Group S.p.A.**, Ponzano-Veneto, Italy

[\*\*] Term: **14 Years**

[21] Appl. No.: **26,581**

[22] Filed: **Aug. 1, 1994**

[30] **Foreign Application Priority Data**

Feb. 4, 1994 [IT] Italy ..... MI9400060

[52] **U.S. Cl.** ..... **D6/411; D6/415**

[58] **Field of Search** ..... D20/10, 41, 42; D6/454, 411, 415, 409, 410; 403/170; 211/168, 169, 13, 181

[56] **References Cited**

**U.S. PATENT DOCUMENTS**

D. 73,580 10/1927 Roberts ..... D20/10  
D. 162,291 3/1951 Duncan ..... D6/454

D. 318,384 7/1991 Terrell et al. .... D6/415  
1,049,886 1/1913 Manson ..... 211/169 X  
3,181,706 5/1965 Mandel ..... 211/169 X  
3,842,555 10/1974 Korell ..... 403/170  
3,924,749 12/1975 Weston ..... 211/169 X  
4,624,371 11/1986 Korth ..... D6/415 X

*Primary Examiner*—Jeffrey Asch  
*Attorney, Agent, or Firm*—Herbert Dubno

[57] **CLAIM**

The ornamental design for a garment display rack with movable frames, as shown and described.

**DESCRIPTION**

FIG. 1 is a perspective view from the front and one side of a garment display rack with movable frames showing my new design;

FIG. 2 is a top plan view thereof;

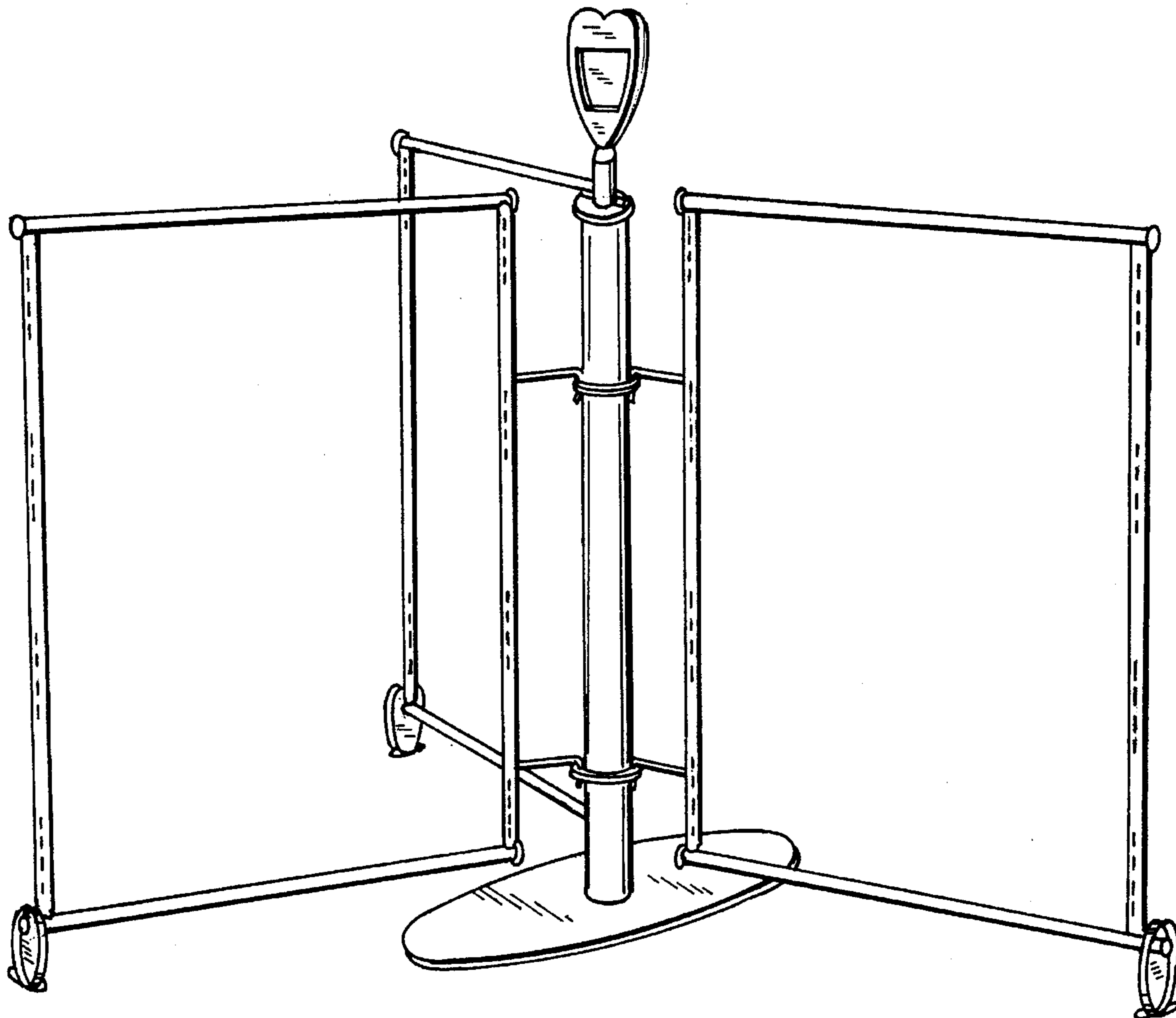
FIG. 3 is a right side elevational view thereof, the left side elevational view being mirror symmetrical thereto;

FIG. 4 is a front view thereof;

FIG. 5 is a rear view thereof; and,

FIG. 6 is a bottom view thereof.

**1 Claim, 6 Drawing Sheets**



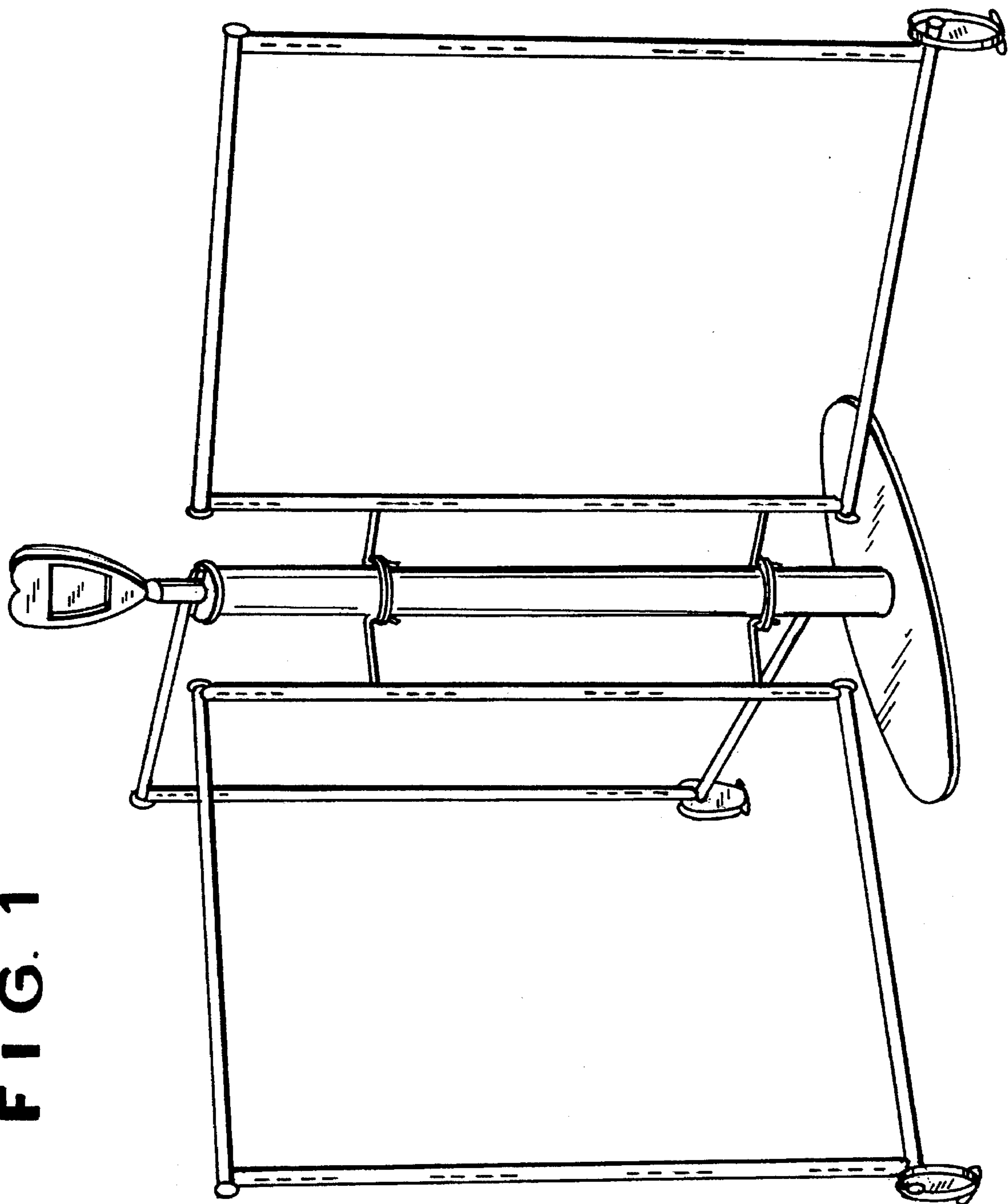


FIG. 1

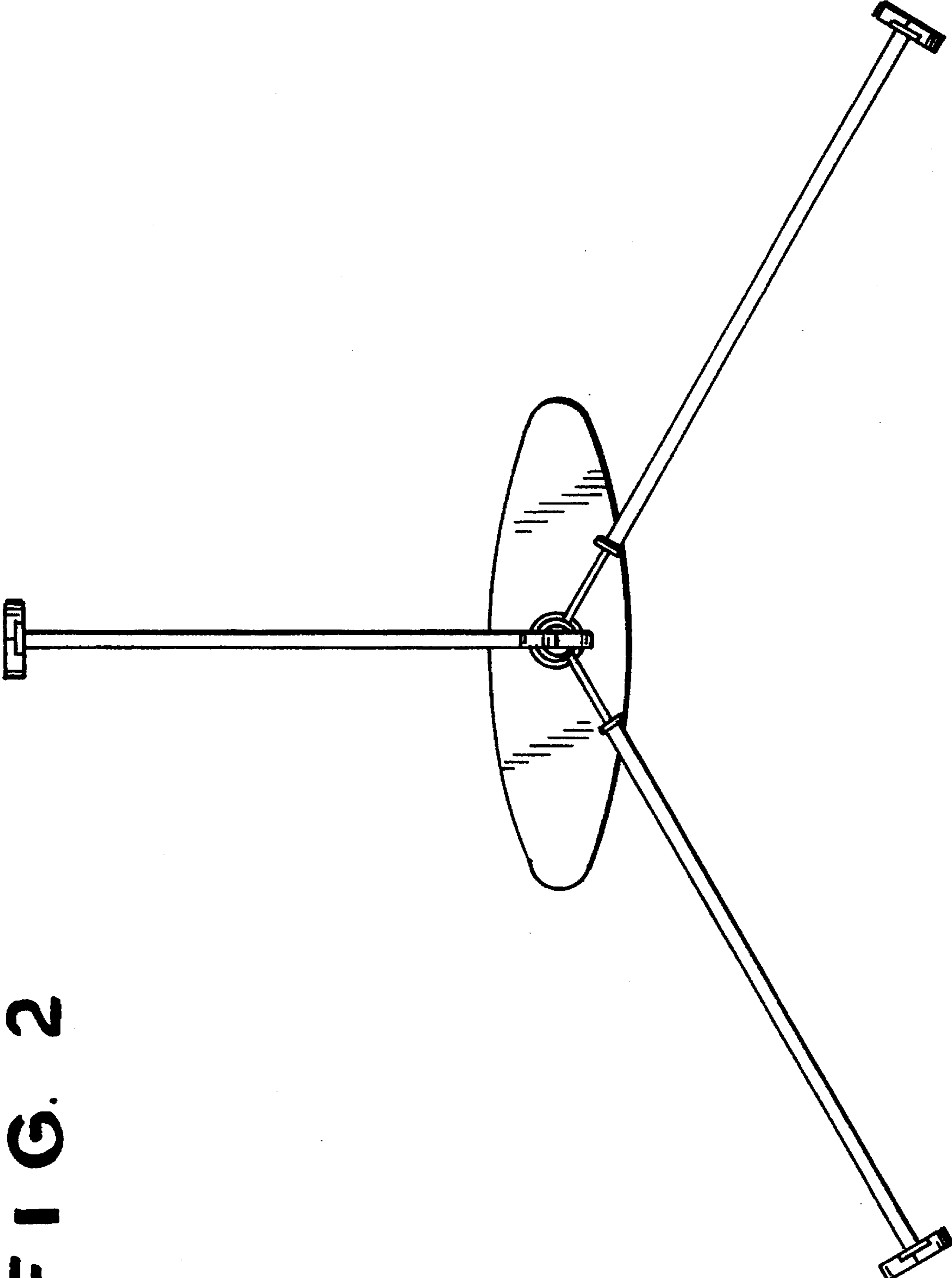
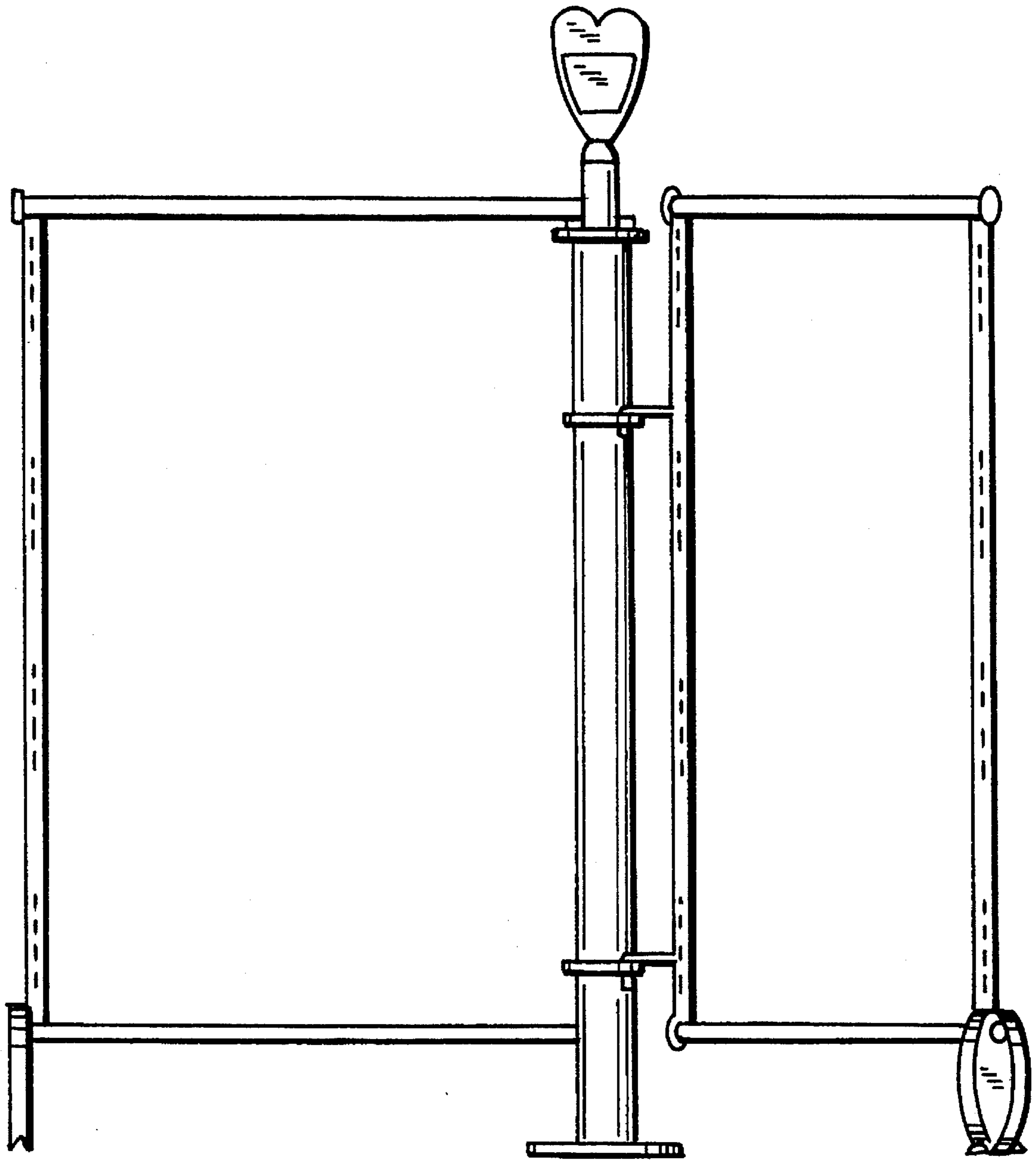


FIG. 2

# FIG. 3



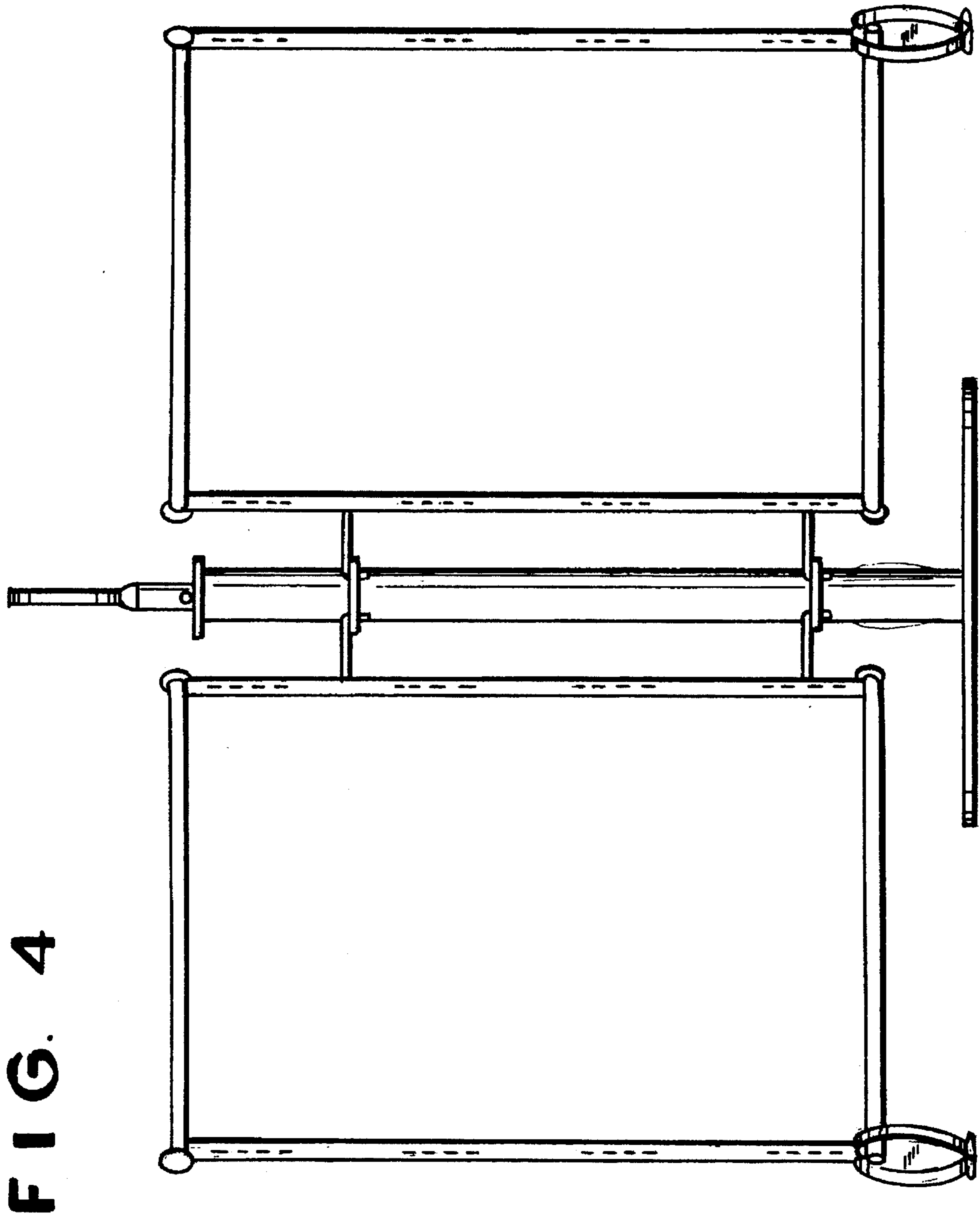


FIG. 4

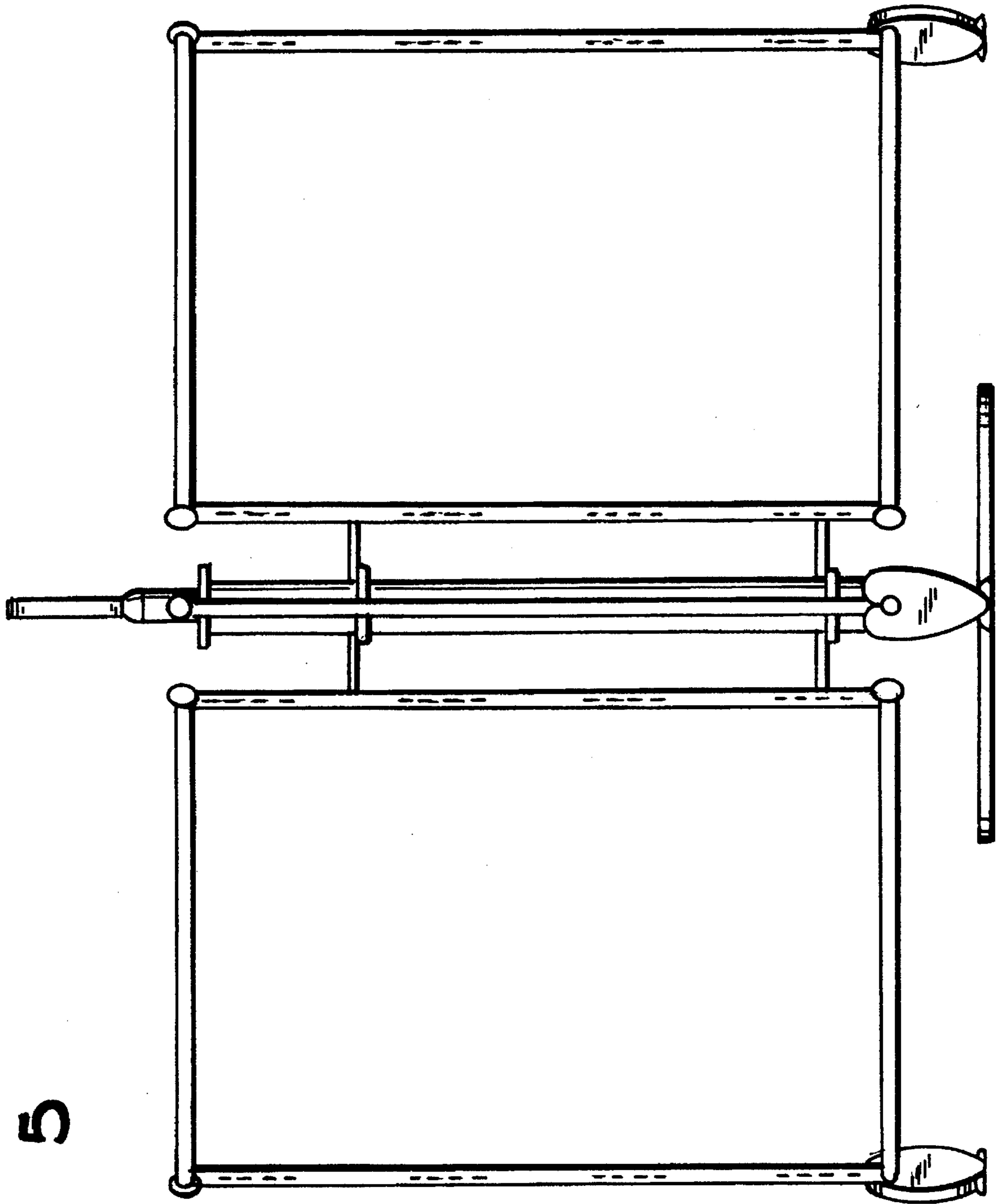


FIG. 5

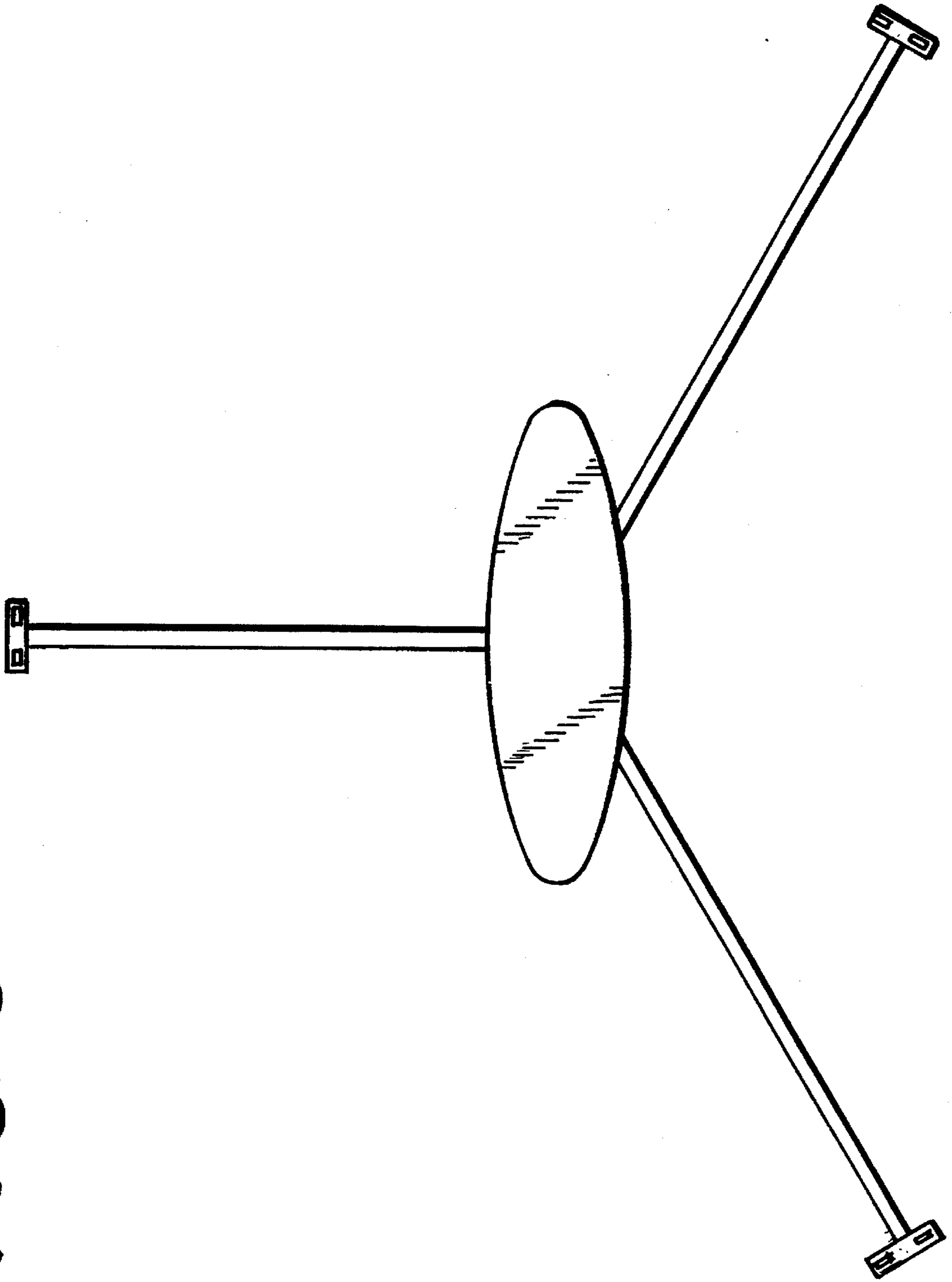


FIG. 6