



US00D376928S

United States Patent [19]

Lorenzana et al.

[11] Patent Number: **Des. 376,928**

[45] Date of Patent: ****Dec. 31, 1996**

[54] **LAP TRAY**

[76] Inventors: **Moises B. Lorenzana**, 601 Lake Hinsdale Dr., Willowbrook, Ill. 60514;
Vance A. Lorenzana, 73 Chippewa Dr., Oswego, Ill. 60543

[**] Term: **14 Years**

[21] Appl. No.: **53,446**

[22] Filed: **Apr. 22, 1996**

[52] U.S. Cl. **D6/406; D7/553; D7/555**

[58] Field of Search D7/500, 505, 507, D7/701, 538, 540, 541, 545, 546, 547, 549, 550, 552, 553, 554, 555, 557, 566, 601, 602, 618, 620, 619, 610, 603; D6/406, 419, 511, 339, 420; D19/35, 52, 88, 92; D12/415, 416; 220/17.1, 23.8, 575; D3/271

[56] **References Cited**

U.S. PATENT DOCUMENTS

D. 257,914	1/1981	Wooters	D7/553 X
D. 268,072	3/1983	Boggs	D7/553 X
D. 274,488	7/1984	Howitt	D6/406
D. 288,163	2/1987	Ritman	D7/545
D. 293,163	12/1987	Roth	D7/554 X

D. 314,678	2/1991	Ali	D6/406
D. 315,628	3/1991	Newaski	D7/271
D. 326,962	6/1992	Mowry et al.	D7/554 X
D. 359,862	1/1995	Rowsch	D6/406
D. 363,857	11/1995	Sussman	D7/553
3,164,110	1/1965	Bofinger	D7/550 X
4,732,274	3/1988	Bouton	220/238 X
5,497,885	3/1996	Sussman	220/575 X

Primary Examiner—M. N. Pandozzi
Attorney, Agent, or Firm—Neil M. Rose

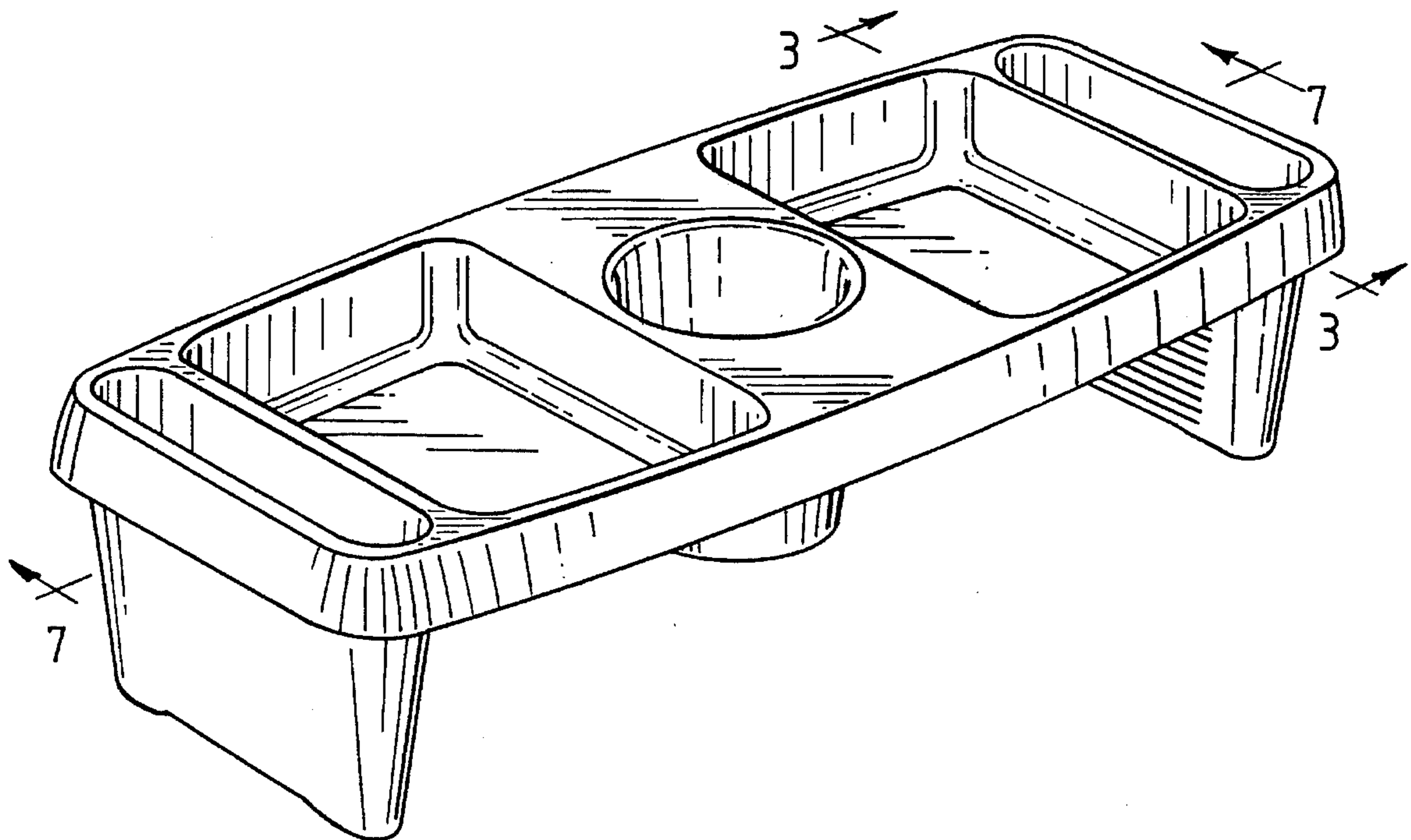
[57] **CLAIM**

The ornamental design for a lap tray, as shown and described.

DESCRIPTION

FIG. 1 is a perspective view of a lap tray showing our new design;
FIG. 2 is an end view in elevation of the lap tray of FIG. 1, the right and left end views being identical;
FIG. 3 is a sectional view taken on line 3—3 of FIG. 1;
FIG. 4 is a top plan view of the lap tray of FIG. 1;
FIG. 5 is a front elevational view of the lap tray of FIG. 1;
FIG. 6 is a bottom plan view of the lap tray of FIG. 1; and,
FIG. 7 is a sectional view taken on line 7—7 of FIG. 1.

1 Claim, 3 Drawing Sheets



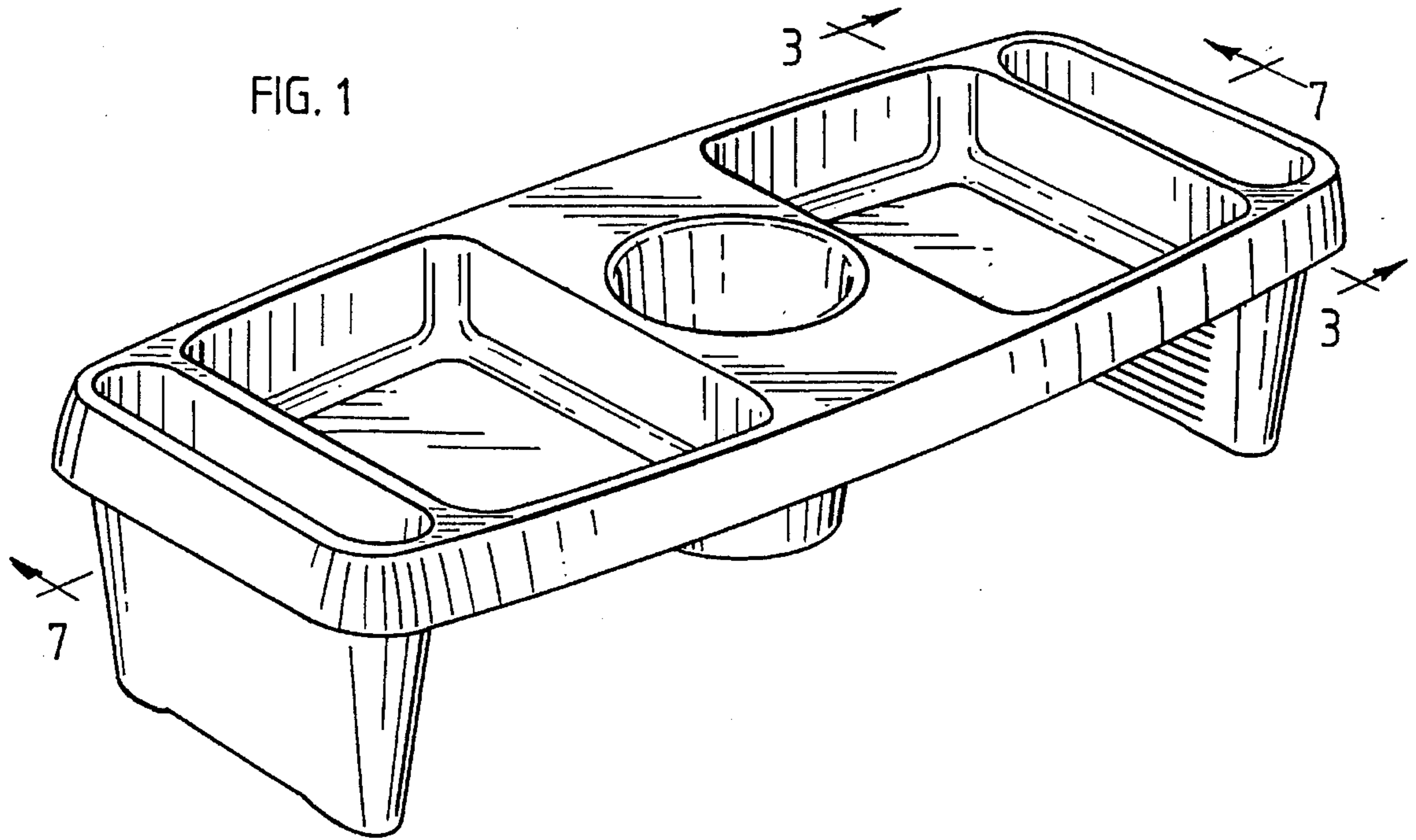


FIG. 2

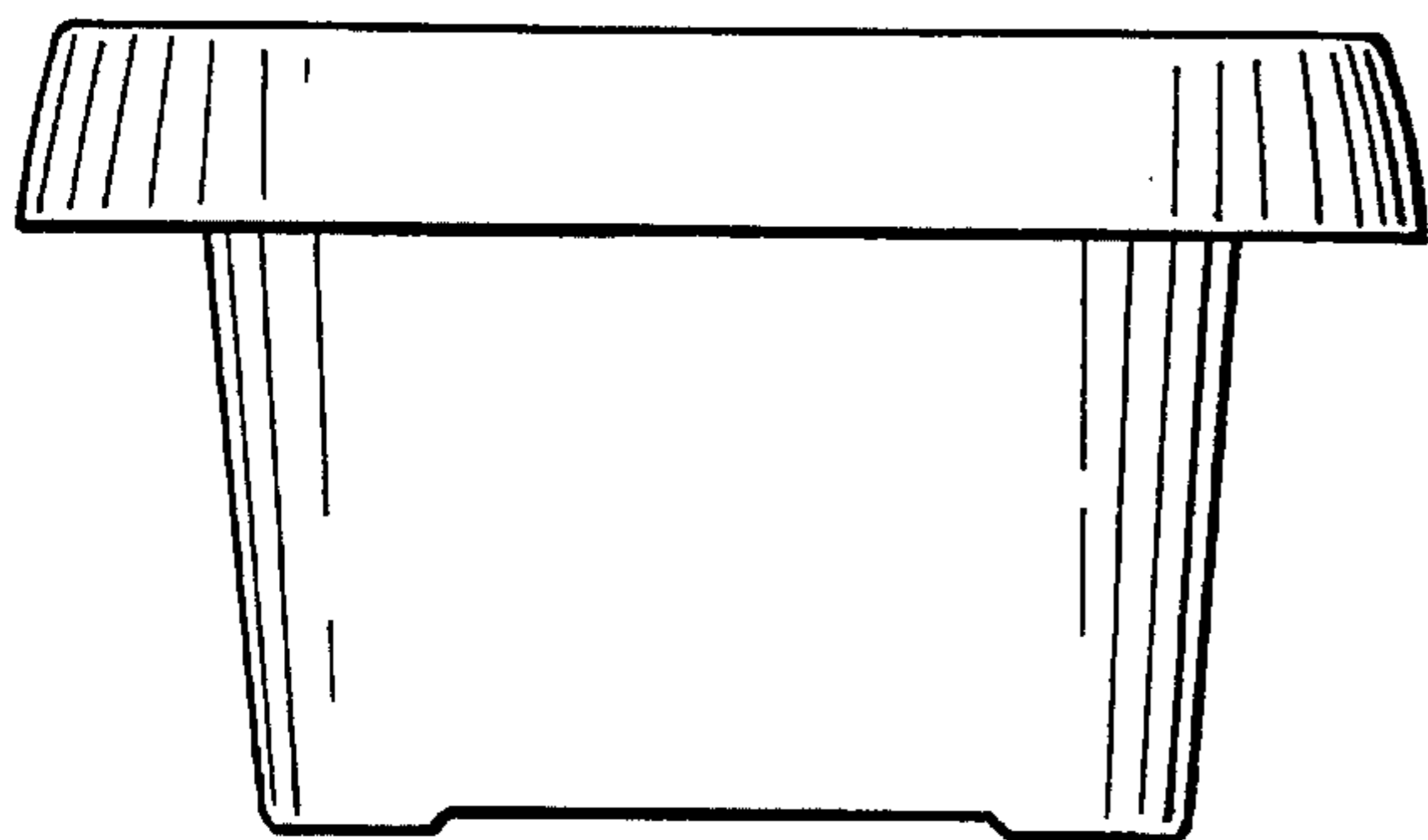


FIG. 3

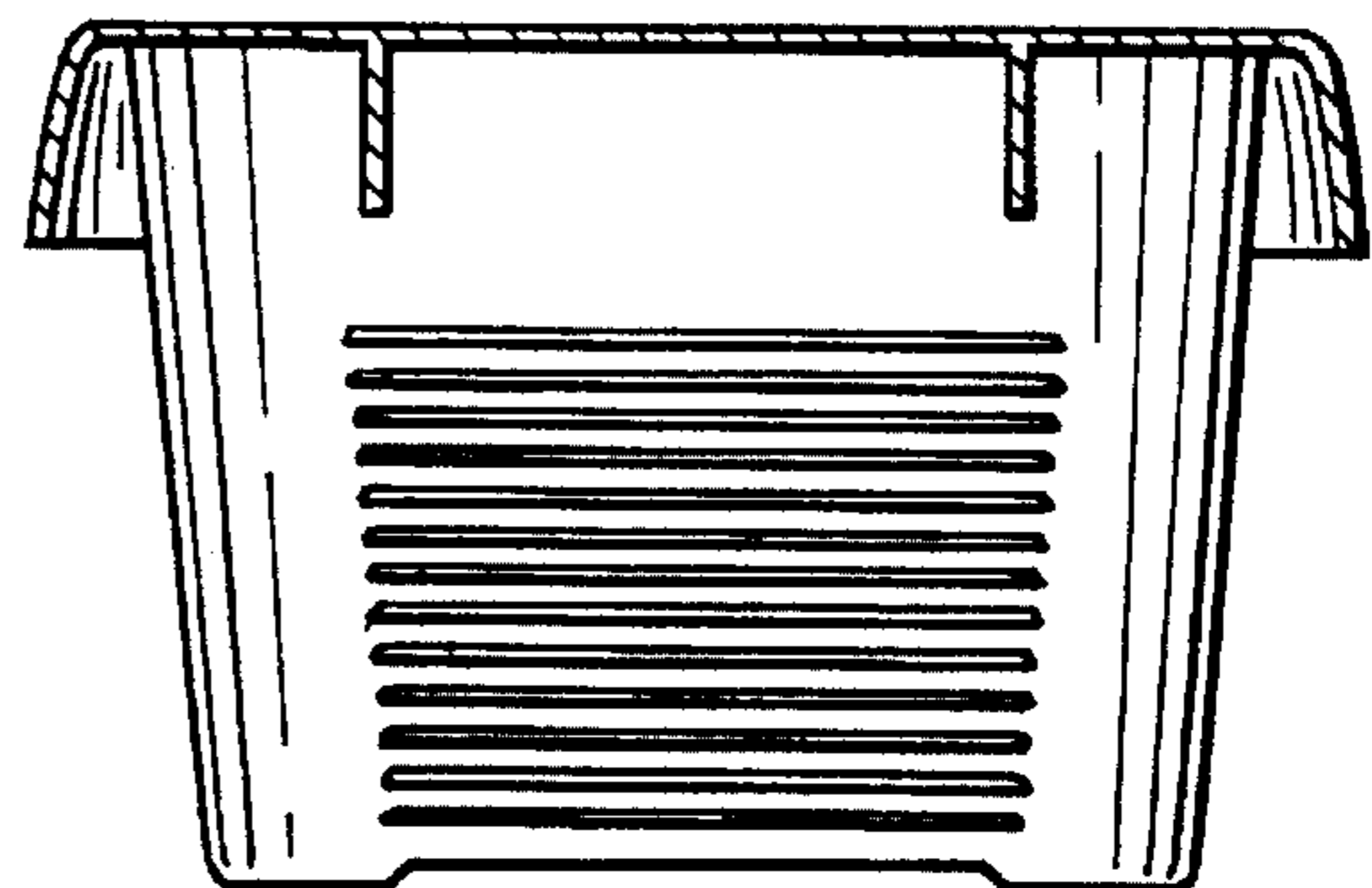


FIG. 4

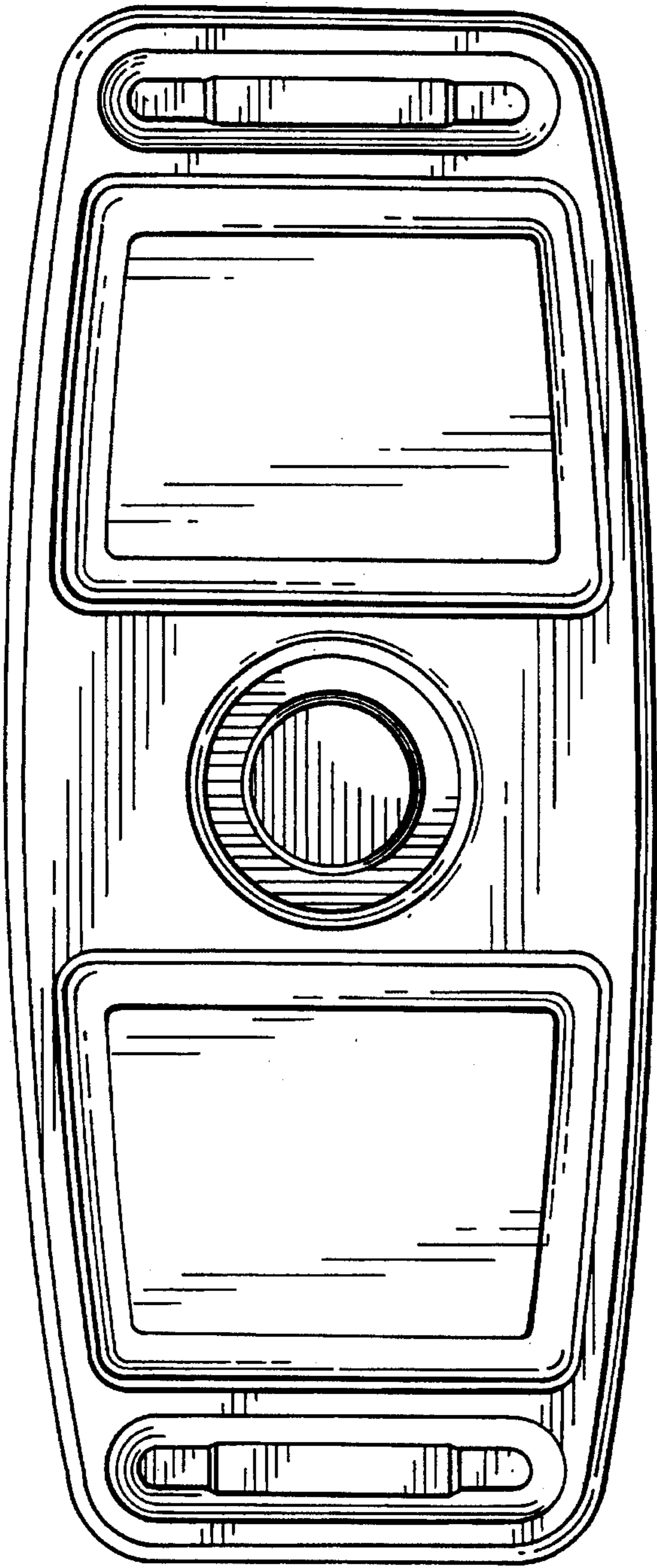


FIG. 5

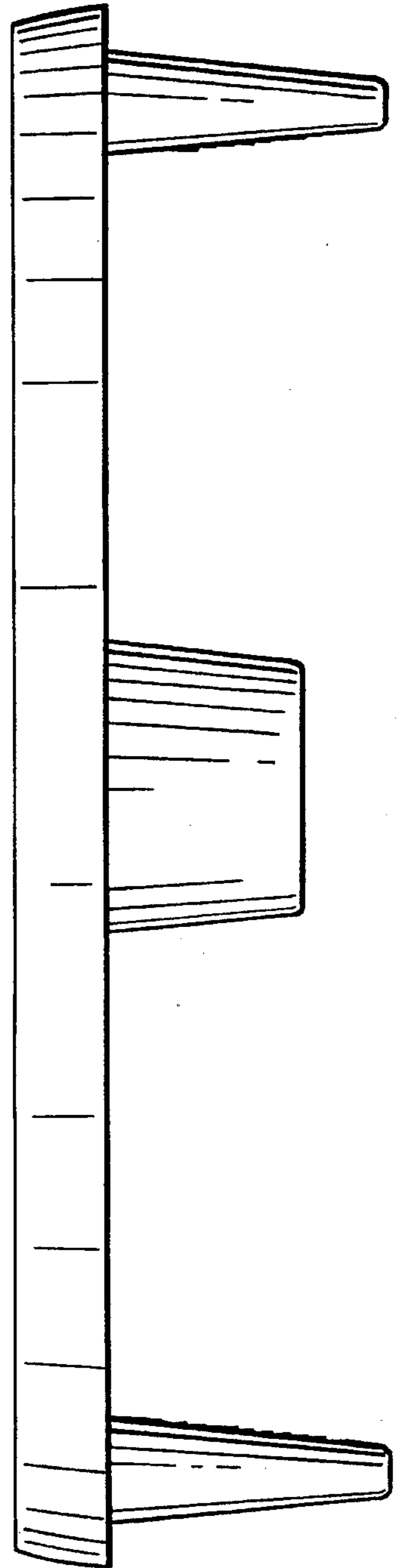


FIG. 6

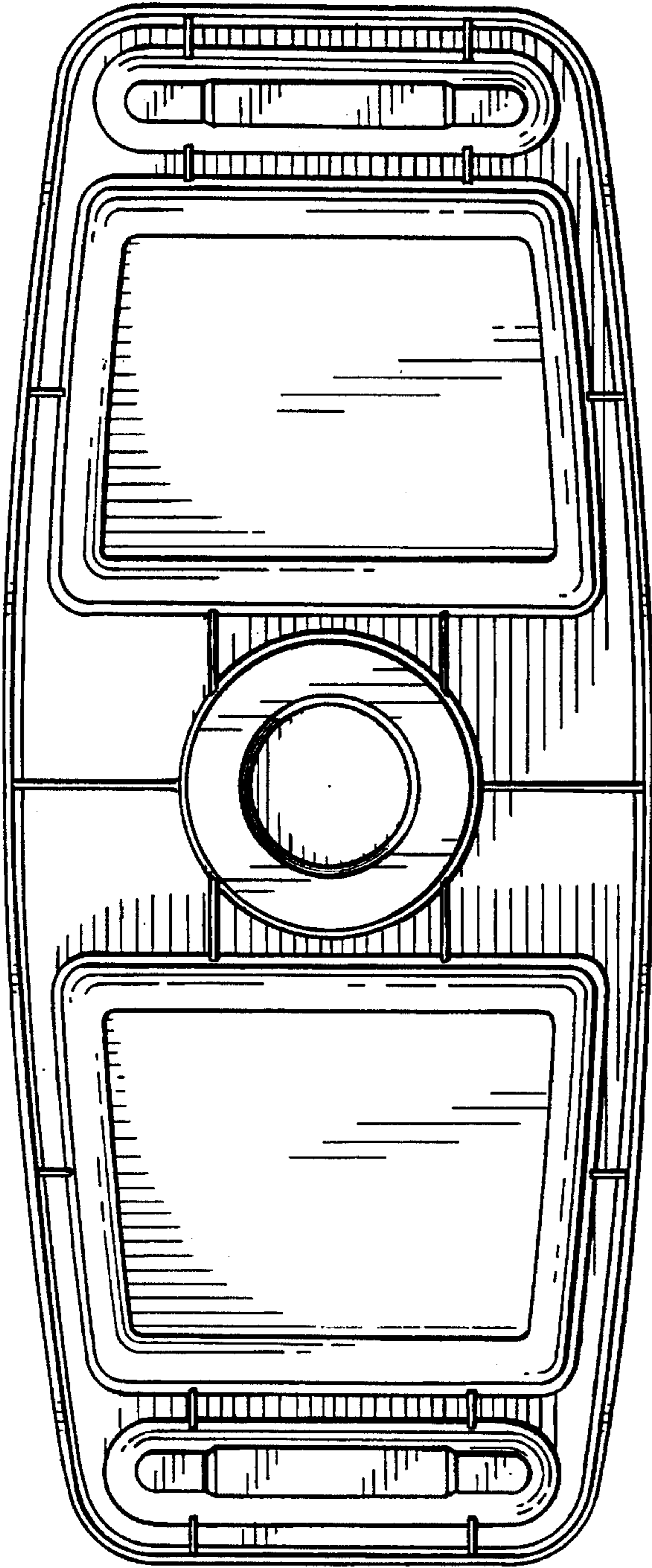


FIG. 7

