



US00D376924S

United States Patent [19]

[11] Patent Number: **Des. 376,924**

Beaulieu

[45] Date of Patent: ****Dec. 31, 1996**

[54] **CHAIR**

Attorney, Agent, or Firm—Philip C. Mendes da Costa; Bereskin & Parr

[75] Inventor: **Jocelyn Beaulieu**, Newmarket, Canada

[57] **CLAIM**

[73] Assignee: **Global Upholstery Company**, Downsview, Canada

The ornamental Design for a chair, as shown and described.

[**] Term: **14 Years**

DESCRIPTION

[21] Appl. No.: **40,786**

FIG. 1 is a prospective view from the front and to one side of the chair;

[22] Filed: **Jun. 27, 1995**

FIG. 2 is a side elevational view of the chair of FIG. 1;

[30] **Foreign Application Priority Data**

FIG. 3 is a front elevational view of the chair of FIG. 1;

Apr. 18, 1995 [CA] Canada 1995-0825

FIG. 4 is a rear elevational view of the chair of FIG. 1;

[52] **U.S. Cl.** **D6/366; D6/360**

FIG. 5 is a top plan view of the chair of FIG. 1;

[58] **Field of Search** D6/334, 360, 365, D6/366, 367, 379, 500, 501, 502; 297/452.33, 452.36

FIG. 6 is a front prospective view of a second embodiment of the chair of FIG. 1 wherein arms have been added to the chair;

[56] **References Cited**

FIG. 7 is a side elevational view of the chair of FIG. 6;

U.S. PATENT DOCUMENTS

FIG. 8 is a prospective view from the front and to one side of a third embodiment of the chair of FIG. 1 wherein alternate arms have been added to the chair;

D. 184,187	12/1958	McCarthy et al.	D6/366
D. 185,849	8/1959	Christanson et al.	D6/366
D. 270,020	8/1983	Drabert	D6/366
D. 274,958	8/1984	Aronowitz et al.	D6/360
D. 277,916	3/1985	Aronowitz et al.	D6/501
D. 279,443	7/1985	Diffrient	D6/501
D. 283,762	5/1986	Caruso	D6/360
D. 288,872	3/1987	Schultz	D6/366
D. 289,707	5/1987	Favaretto	D6/366
D. 309,222	7/1990	Lübke	D6/366
D. 318,184	7/1991	Muller-Deisig et al.	D6/366
D. 340,589	10/1993	Chu	D6/366
D. 345,874	4/1994	Muller	D6/501
D. 349,621	8/1994	Wilson	D6/501
D. 350,032	8/1994	Beaulieu	D6/366
D. 358,064	5/1995	Larkin	D6/366
D. 360,316	7/1995	Hodge et al.	D6/366
D. 362,973	10/1995	Schultz	D6/366

FIG. 9 is a prospective view from the front and to one side of a fourth embodiment of the chair of FIG. 1 wherein alternate arms have been added to the chair;

OTHER PUBLICATIONS

Interiors, Apr. 1976, p. 7, Herman Miller chair at right.
Interiors, May 1983, p. 61, chair at bottom left.

FIG. 10 is a prospective view from the front and to one side of a fifth embodiment of the chair of FIG. 1 wherein alternate arms have been added to the chair;

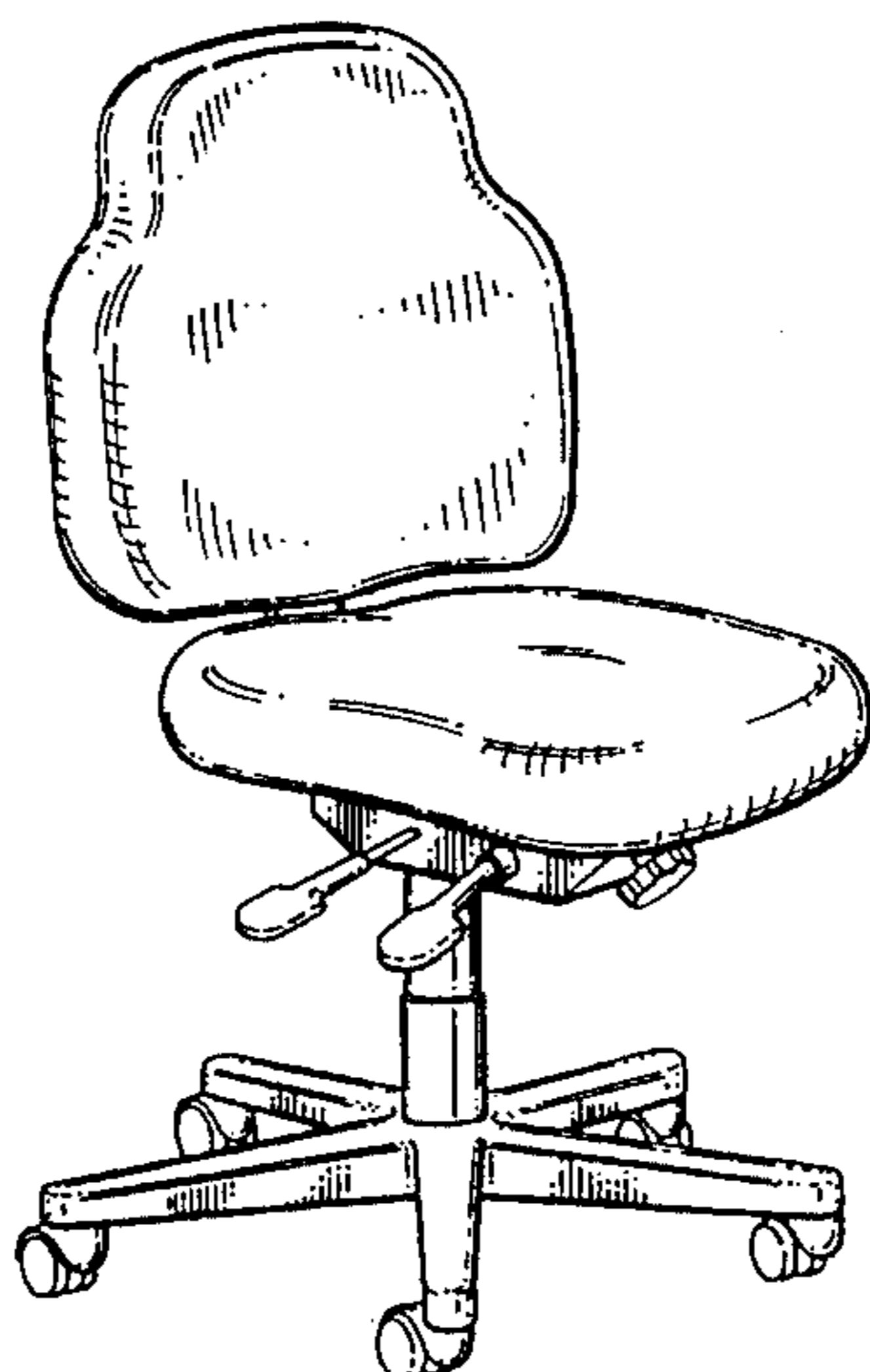
Primary Examiner—Gary D. Watson

FIG. 11 is a prospective view from the front and to one side of a sixth embodiment of the chair of FIG. 1 wherein alternate arms have been added to the chair; and,

FIG. 12 is a prospective view from the front and to one side of a seventh embodiment of the chair of FIG. 1 wherein an alternate support pedestal and foot rest have been added to the chair.

The opposite side view of FIG. 2 is substantially a mirror image thereof, the difference being in the absence of the two adjustment handles. The views not shown for the embodiments of FIGS. 6, 8, 9, 10, 11 and 12 correspond to those of FIG. 1, the exception being in the arm rest members of FIGS. 6, 8, 9, 10 and 11 and the foot rest member with the extended pedestal in FIG. 12.

1 Claim, 7 Drawing Sheets



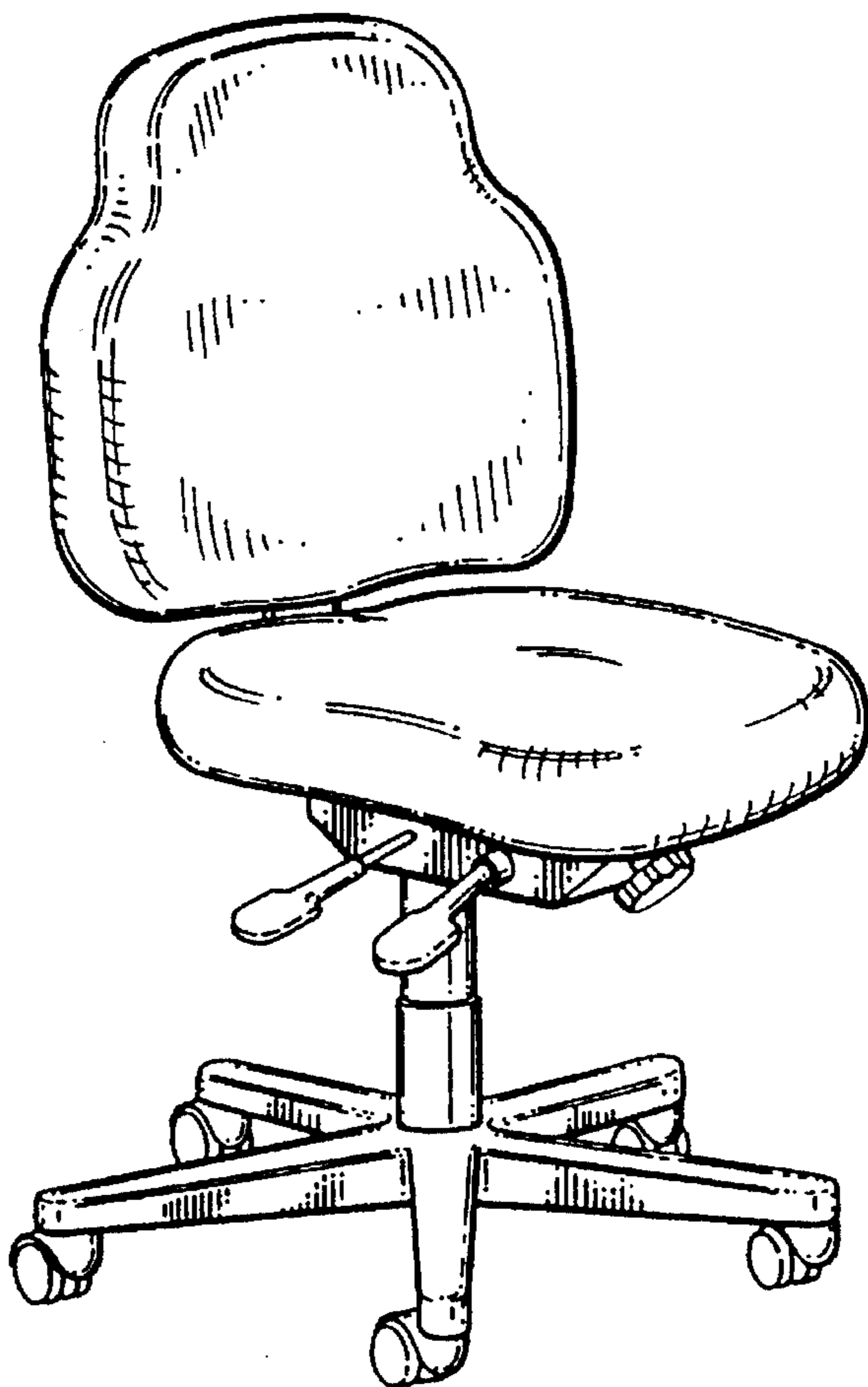


FIG. 1

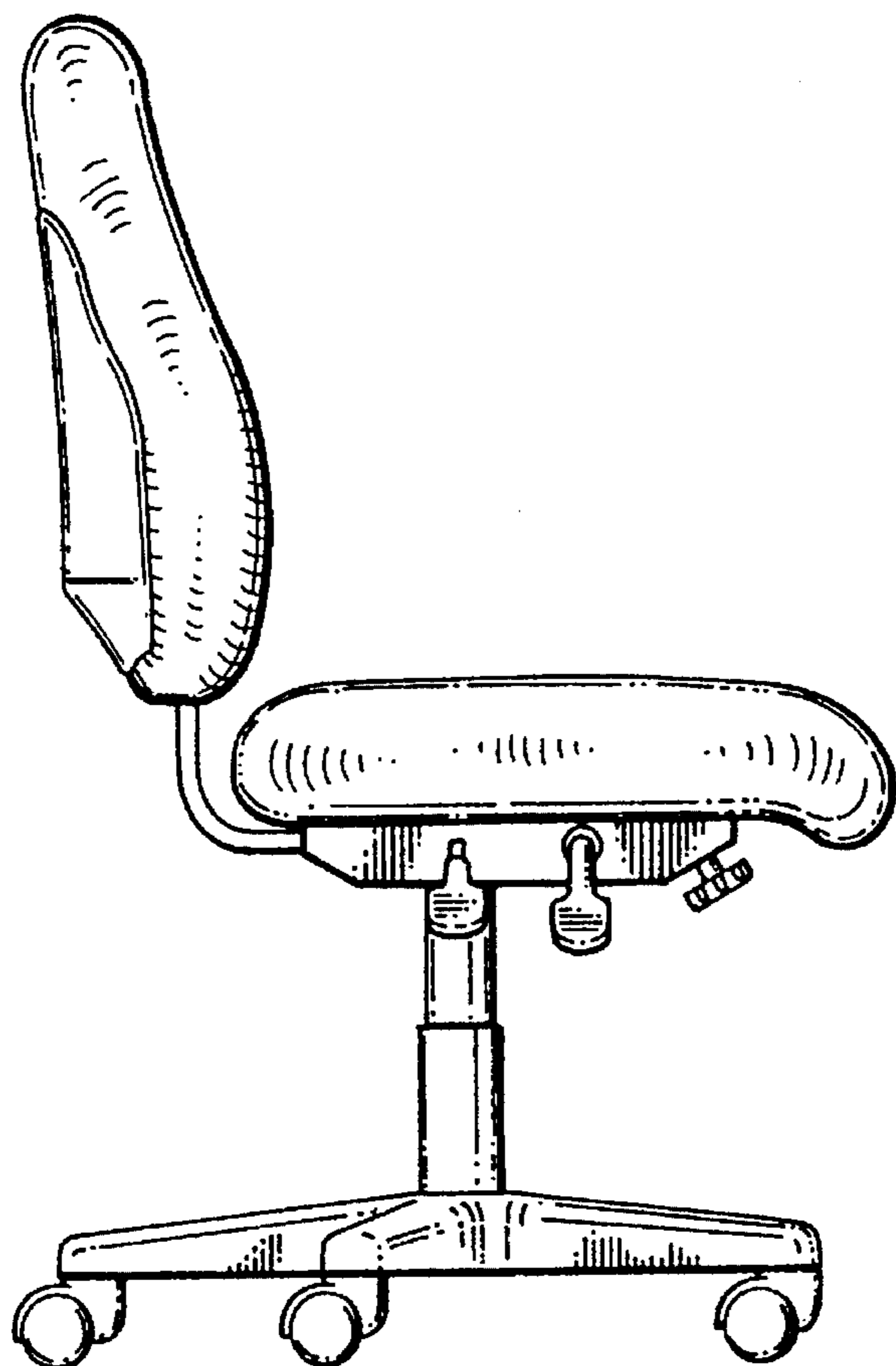


FIG. 2.

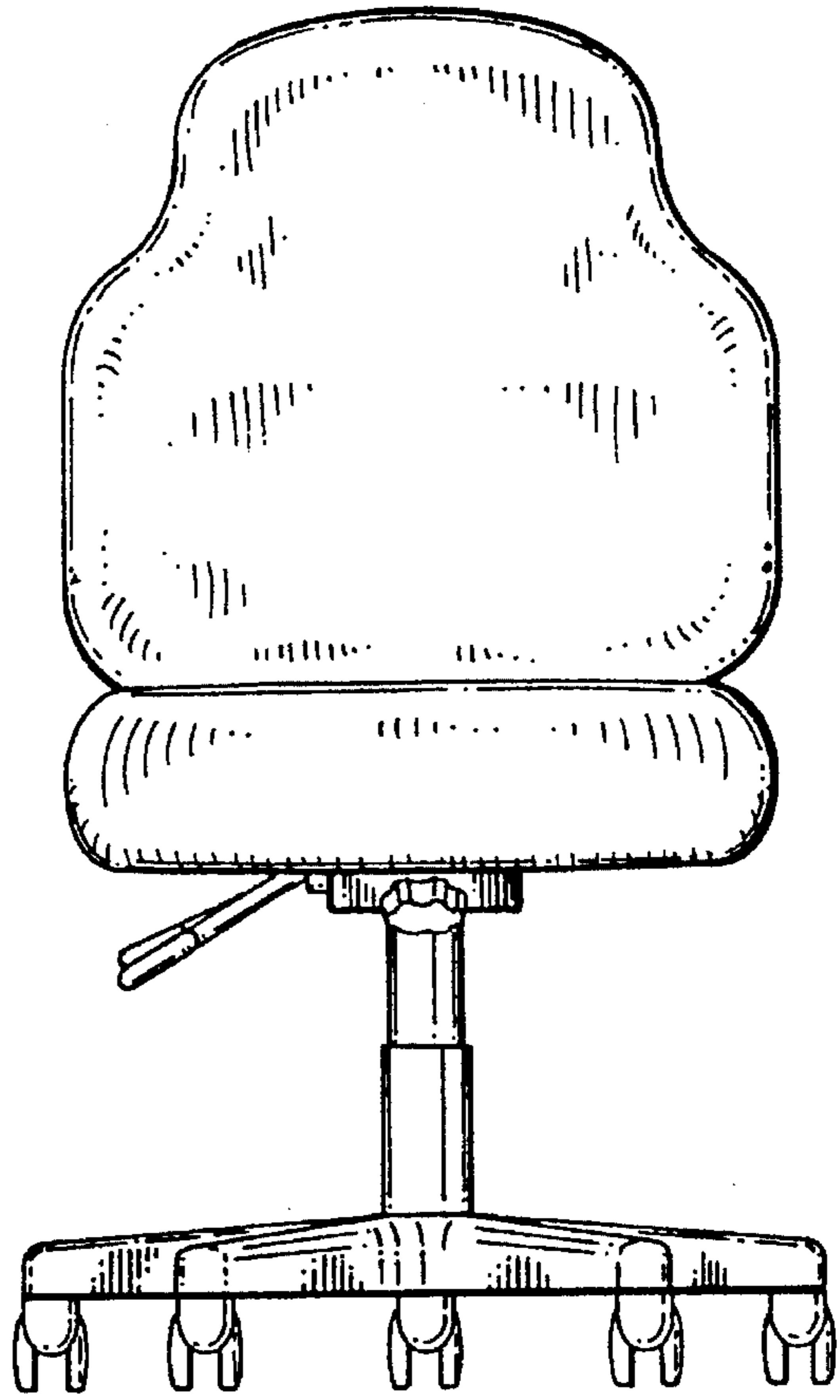


FIG. 3.

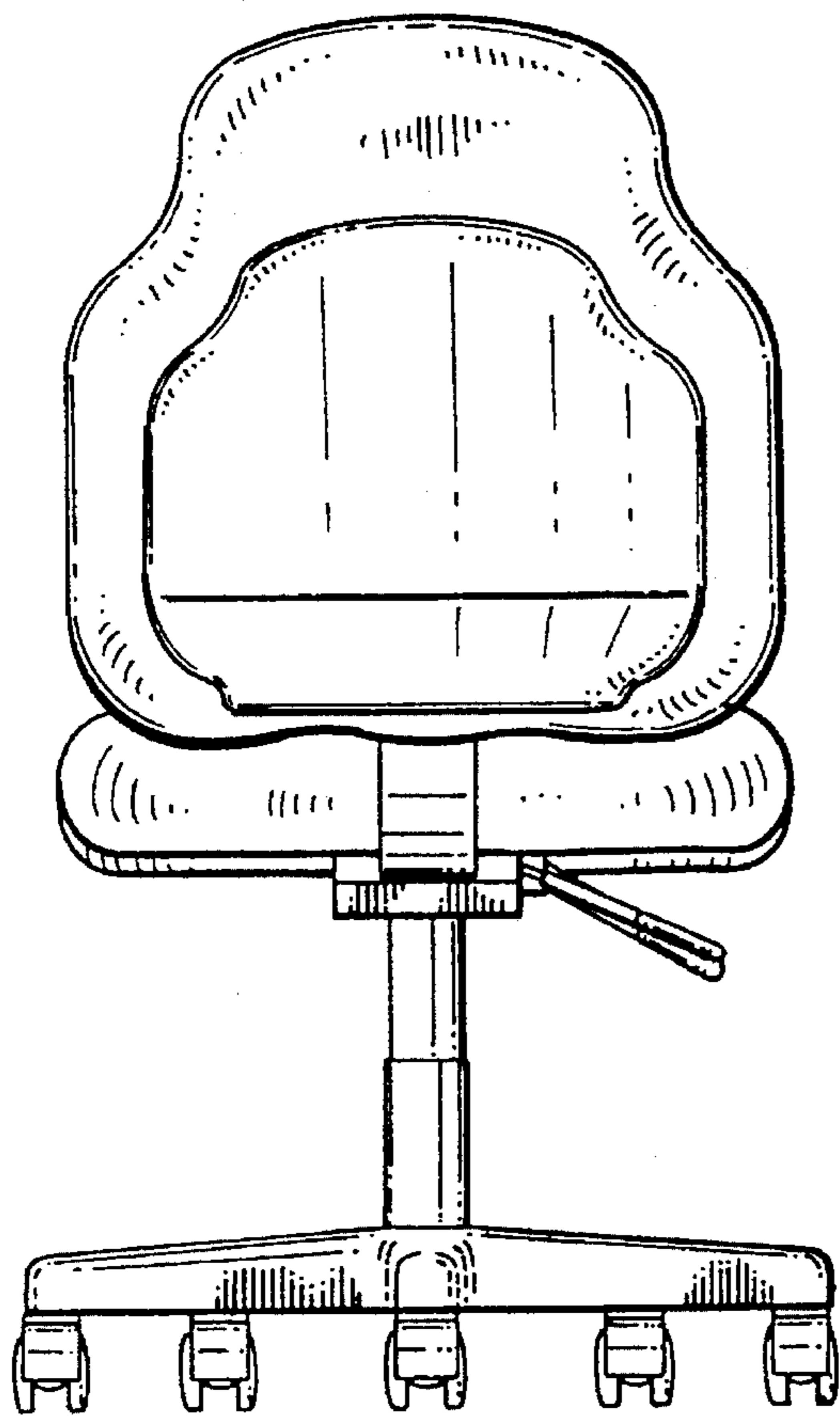


FIG. 4.

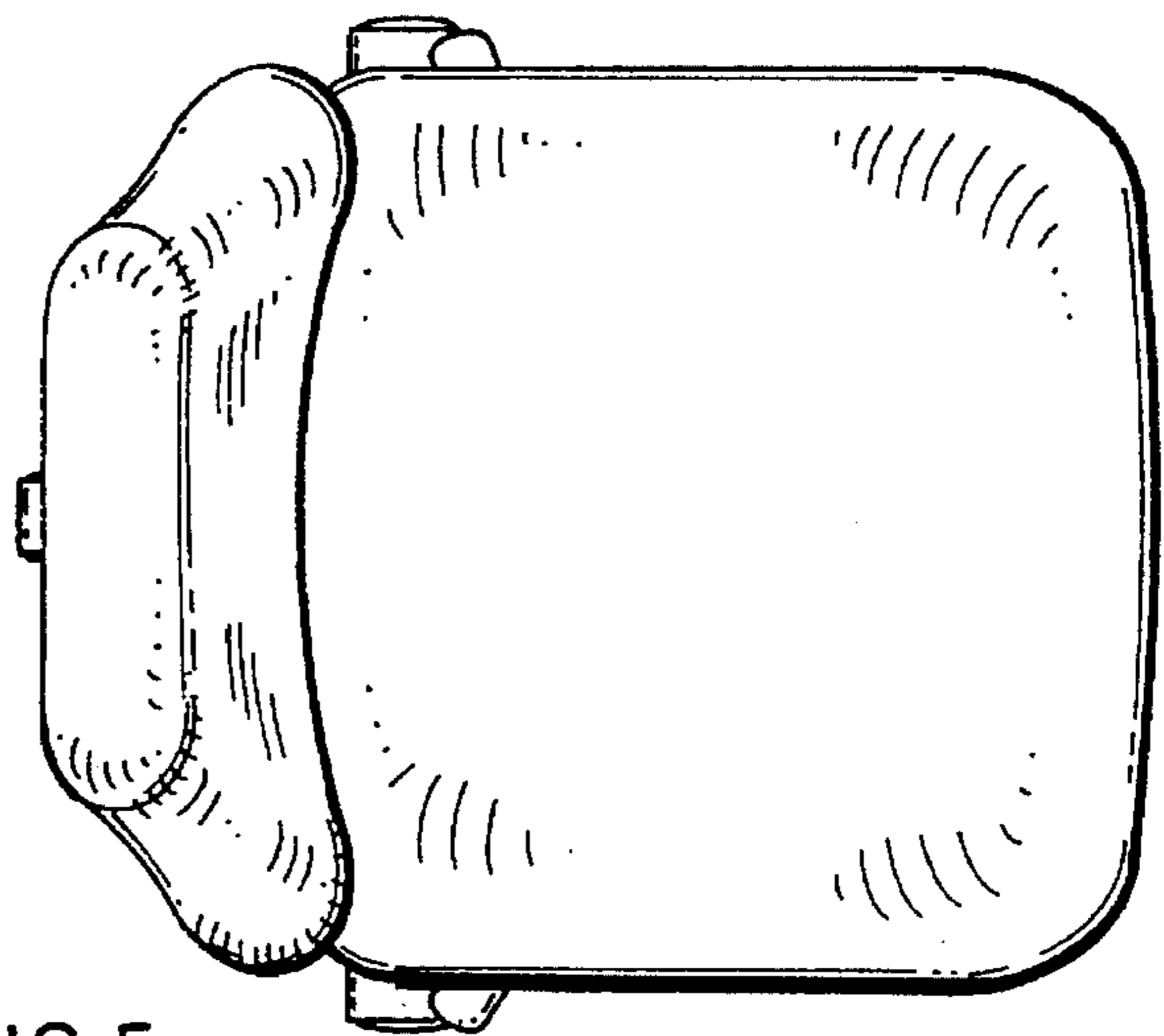


FIG. 5.

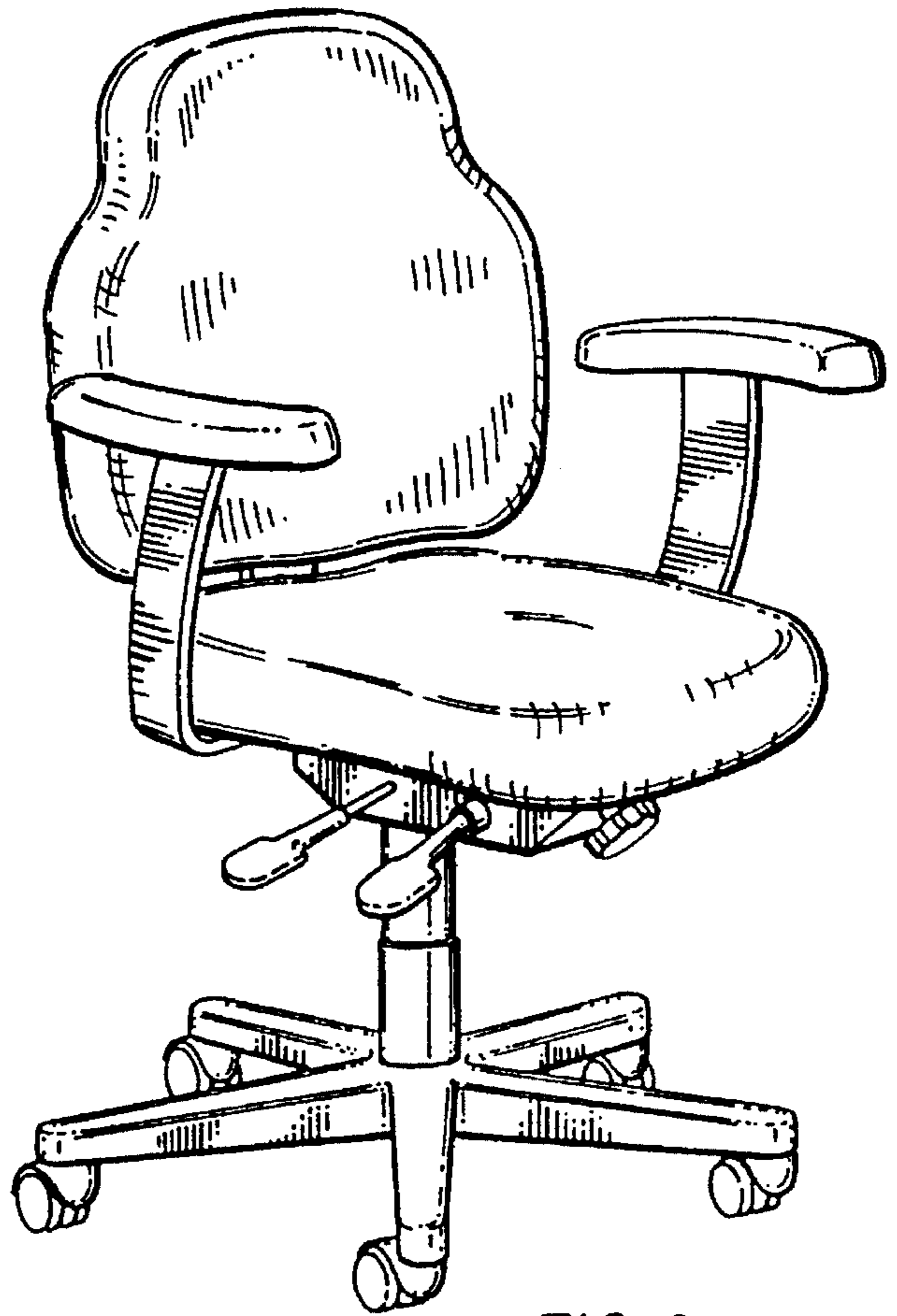


FIG. 6.

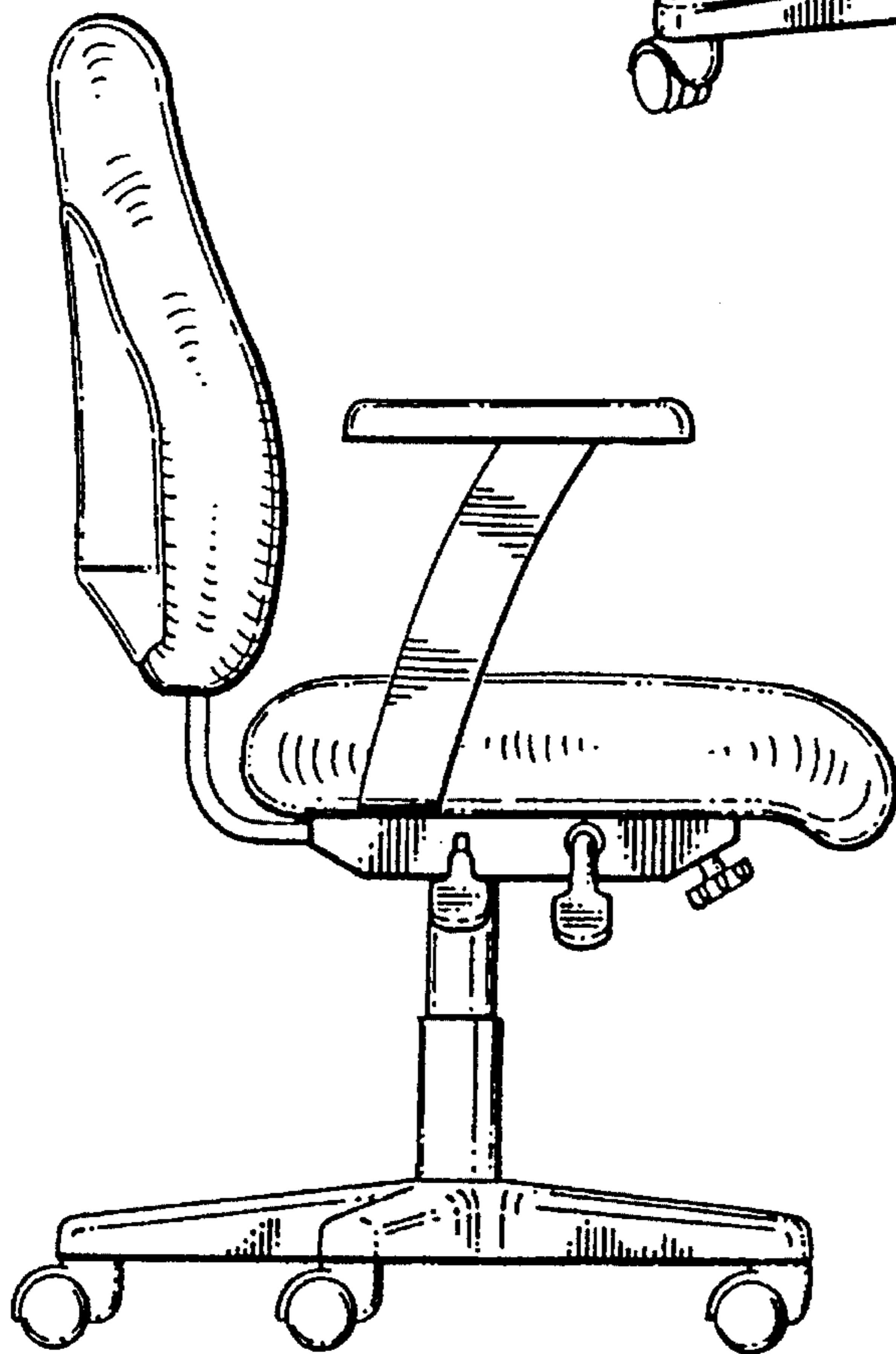


FIG. 7.

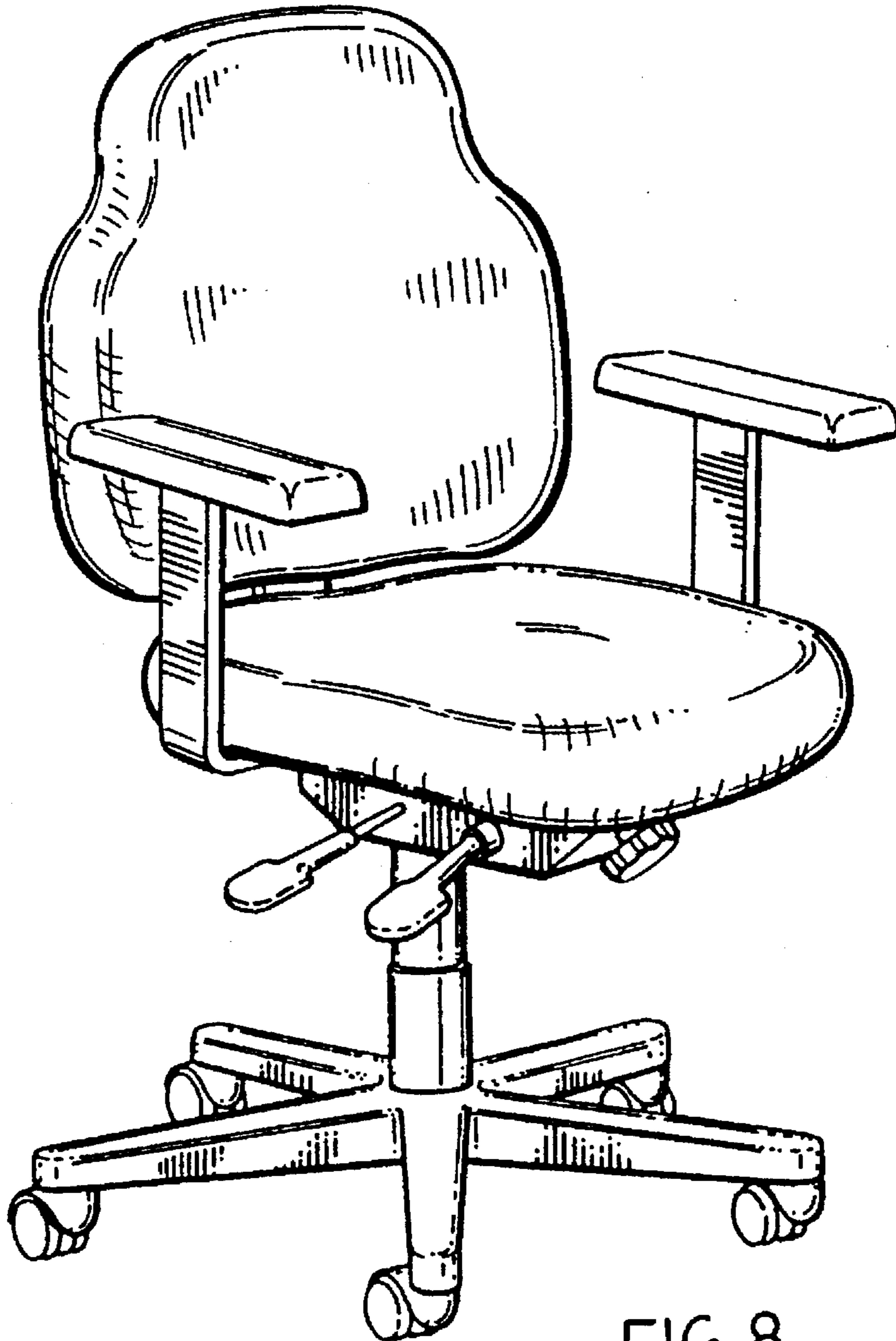


FIG. 8.

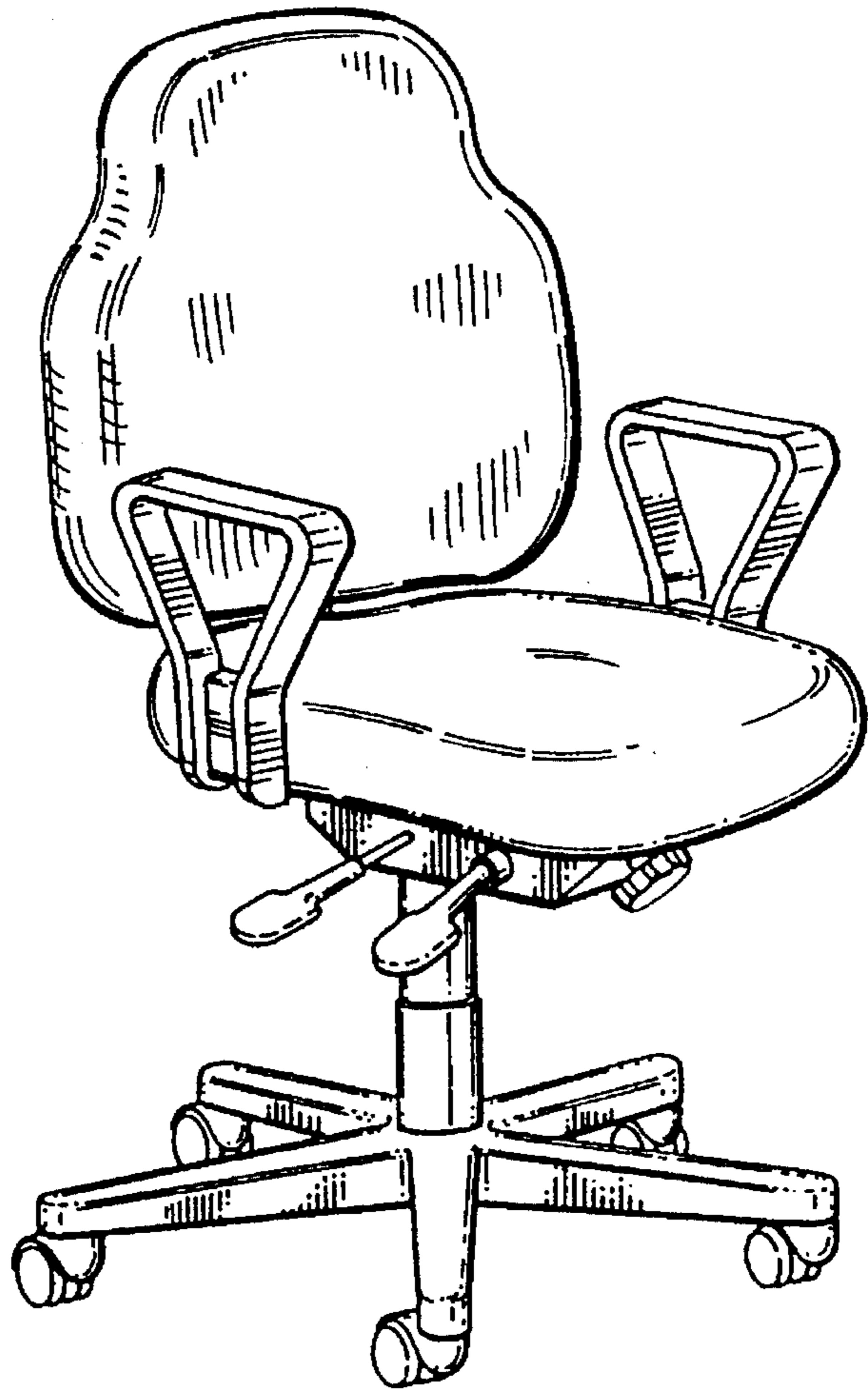


FIG. 9.

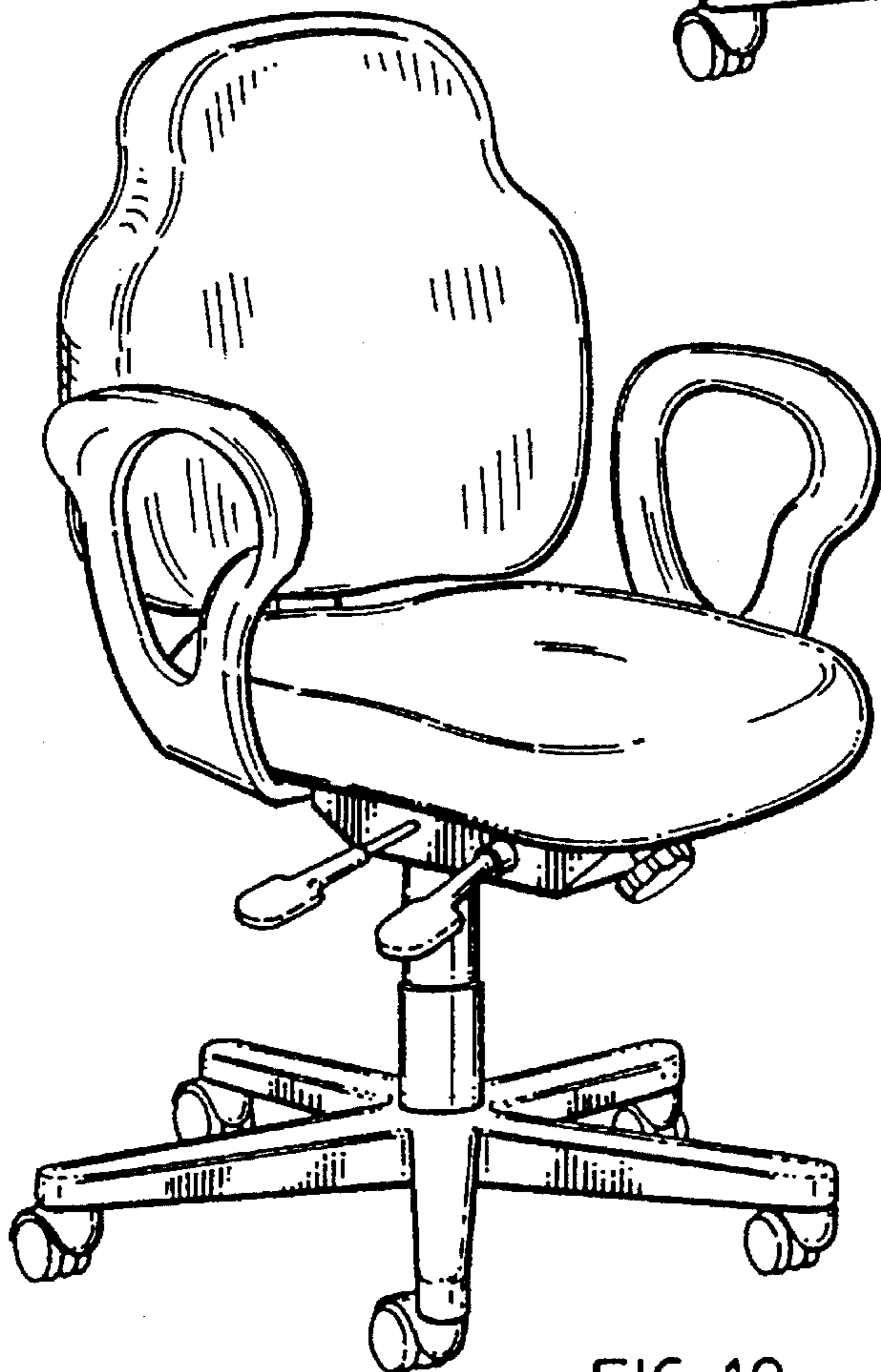


FIG. 10.

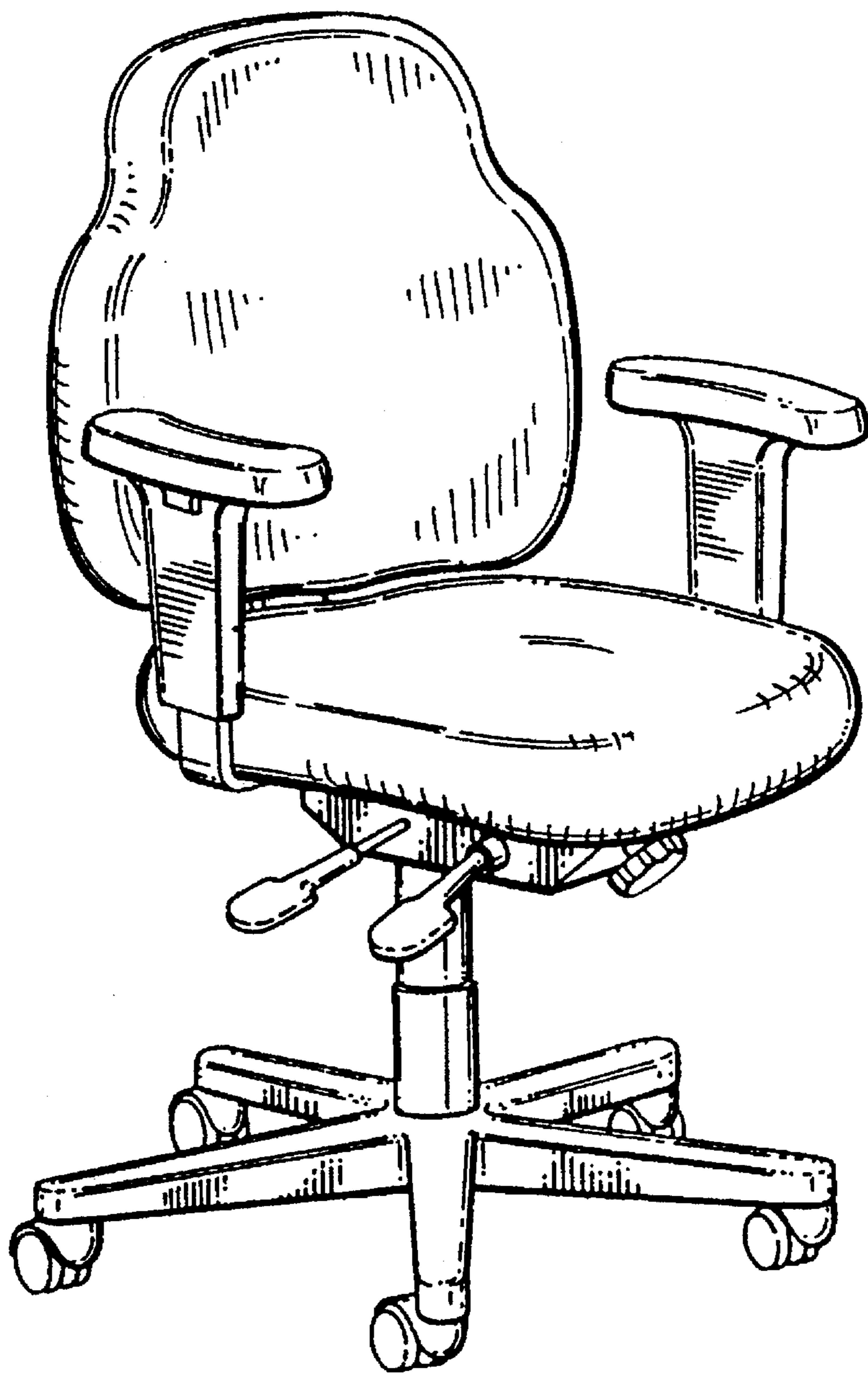


FIG.11.

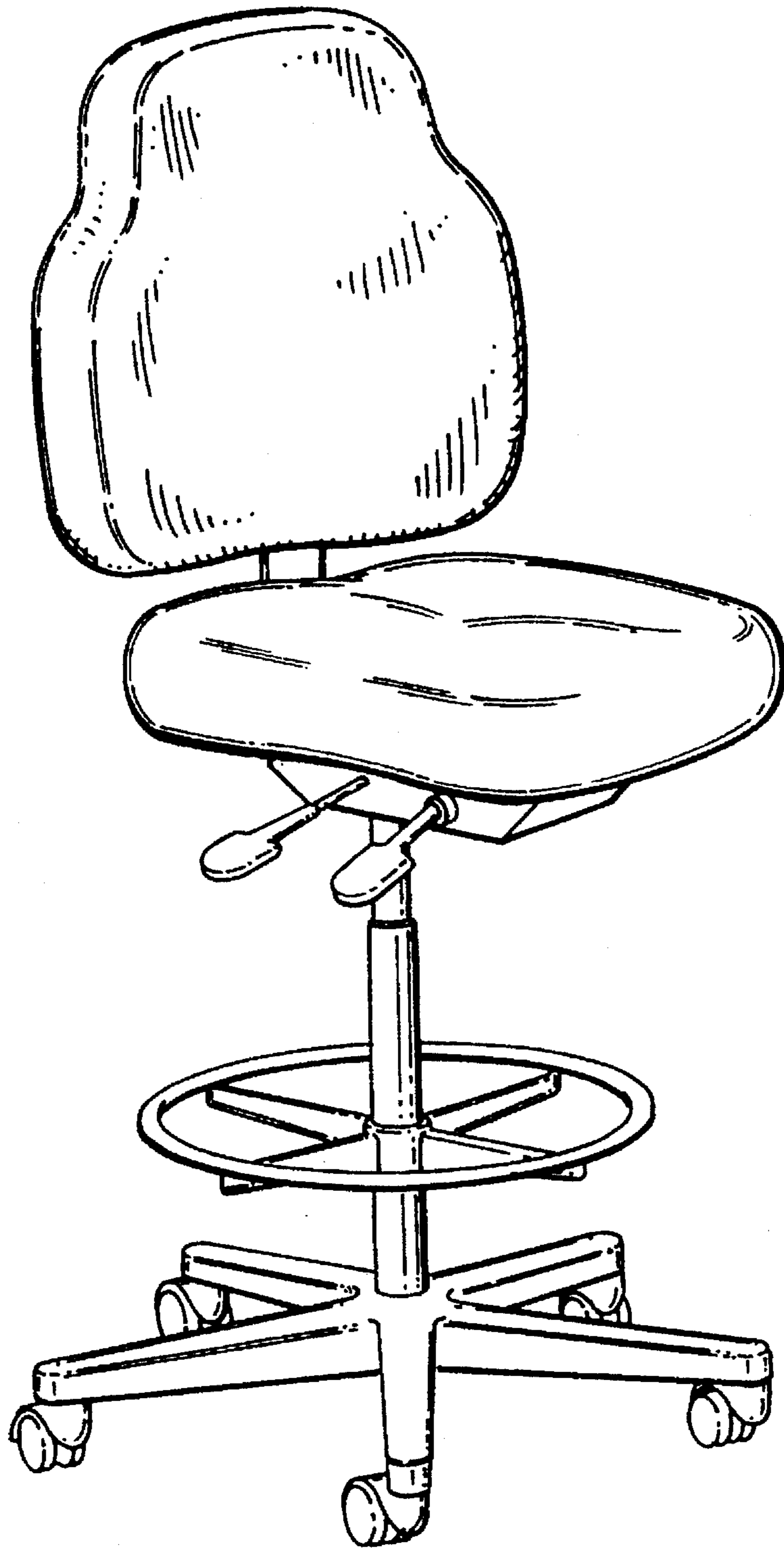


FIG. 12.