



US00D376911S

United States Patent [19]

Zigelboim et al.

[11] Patent Number: **Des. 376,911**

[45] Date of Patent: ****Dec. 31, 1996**

[54] PAINT ROLLER FRAME

1,493,369 5/1924 Miller 492/13
3,386,124 6/1968 Feine 15/230.11

[76] Inventors: **Ilan Zigelboim; Virginia B. Hagan,**
both of 4955 NW. 82nd Ter., Lauderhill,
Fla. 33351

Primary Examiner—A. Hugo Word
Assistant Examiner—Lavone D. Tabor
Attorney, Agent, or Firm—Richard C. Litman

[**] Term: **14 Years**

[57] CLAIM

[21] Appl. No.: **49,835**

The ornamental design for a paint roller frame, as shown and described.

[22] Filed: **Feb. 1, 1996**

DESCRIPTION

Related U.S. Application Data

[63] Continuation-in-part of Ser. No. 37,008, Apr. 3, 1995, Pat. No. Des. 369,027.

[52] U.S. Cl. **D4/122; D4/199**

[58] Field of Search D4/122, 123, 199;
15/230, 230.11, 245, 246; 492/13, 16, 17,
19

FIG. 1 is an environmental perspective view of a paint roller frame showing our new design;
FIG. 2 is a top plan view thereof;
FIG. 3 is a front elevational view, with the rear elevational view being a mirror image, thereof;
FIG. 4 is a left elevational view, with the right elevational view being a mirror image, thereof; and,
FIG. 5 is a bottom plan view thereof.

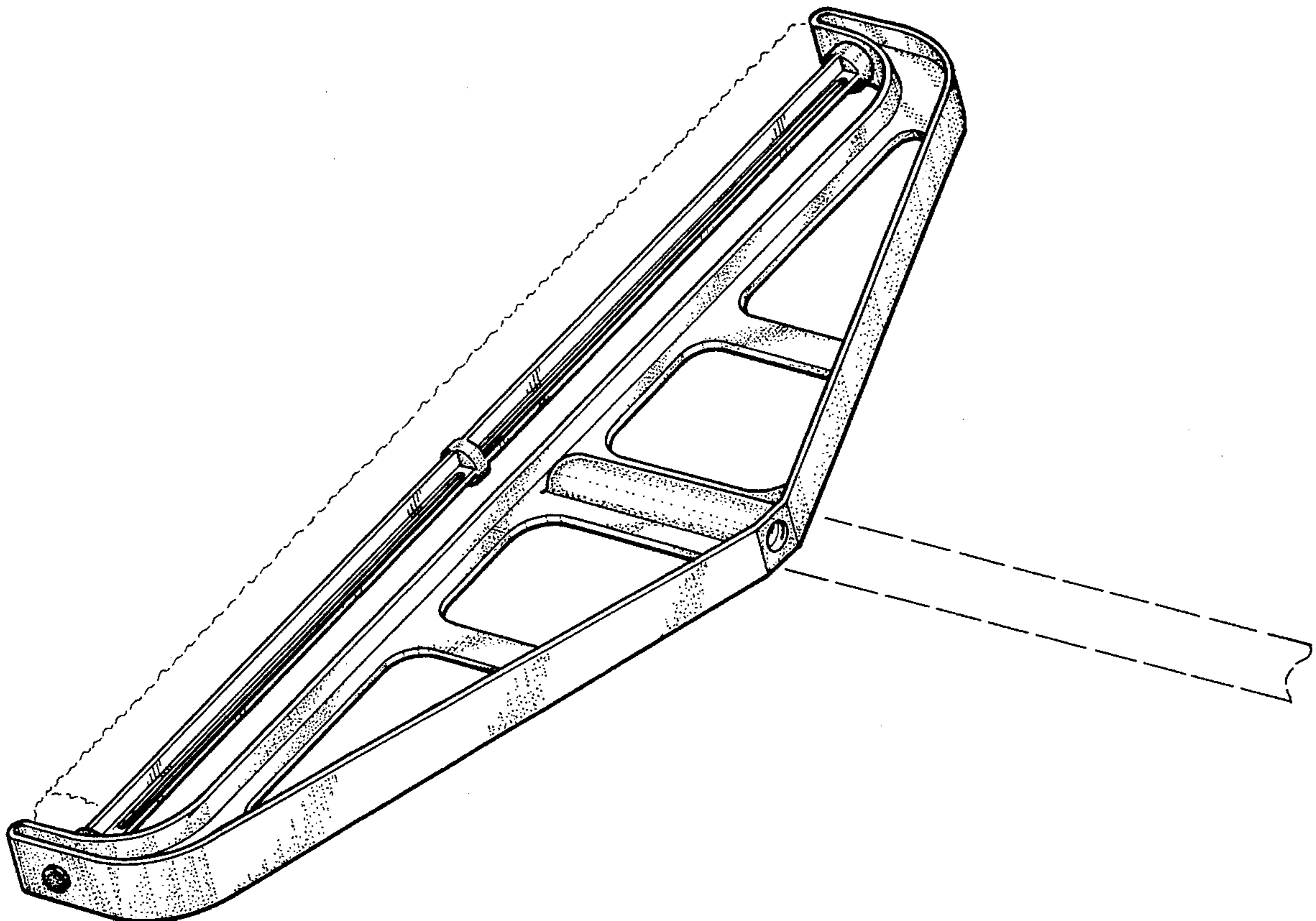
The broken line showing of a paint roller and a handle is for illustrative purposes only and forms no part of the claimed design.

[56] References Cited

U.S. PATENT DOCUMENTS

D. 293,860 1/1988 Smith D4/122
D. 320,888 10/1991 Parizek D4/122

1 Claim, 2 Drawing Sheets



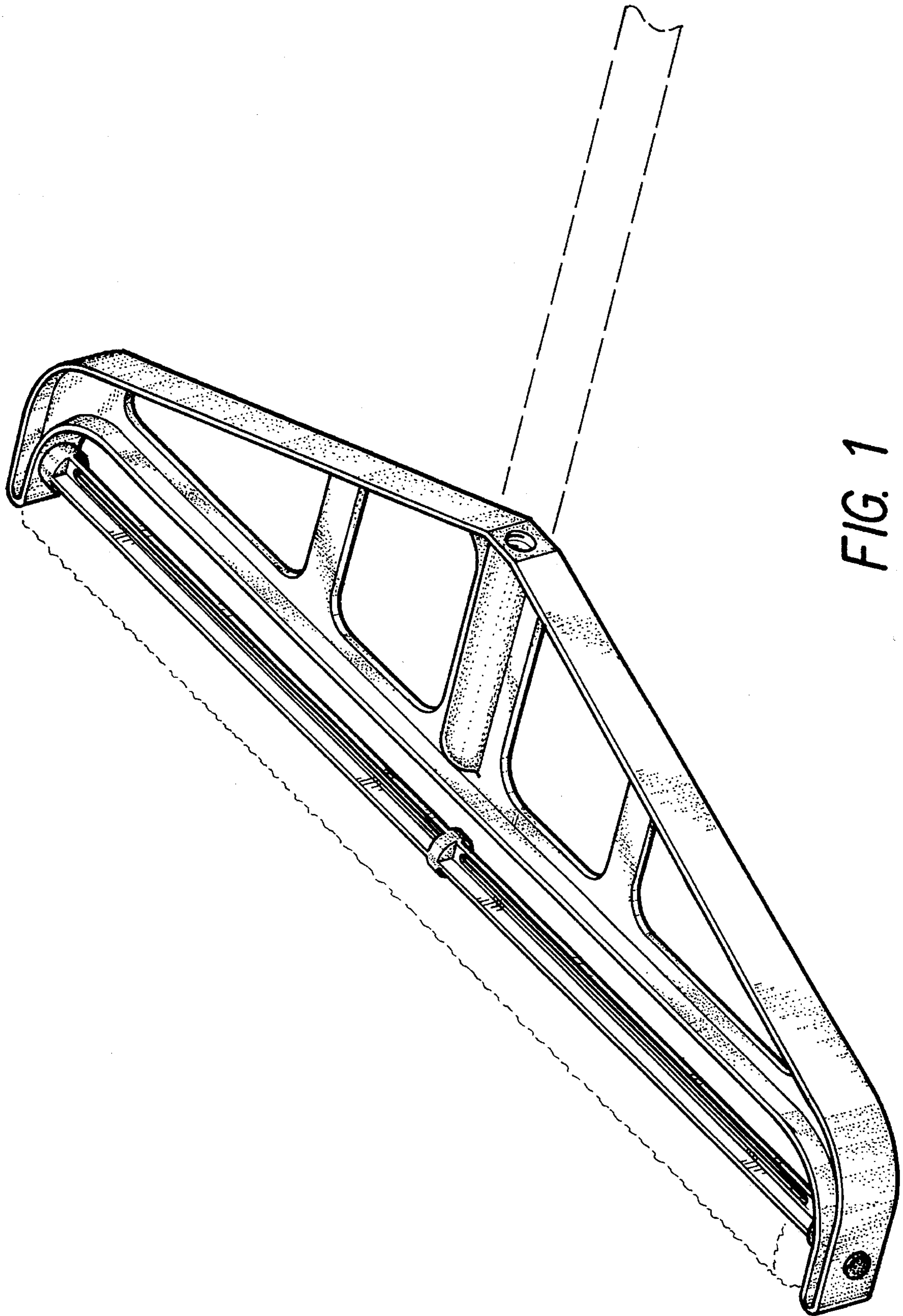


FIG. 1



FIG. 2

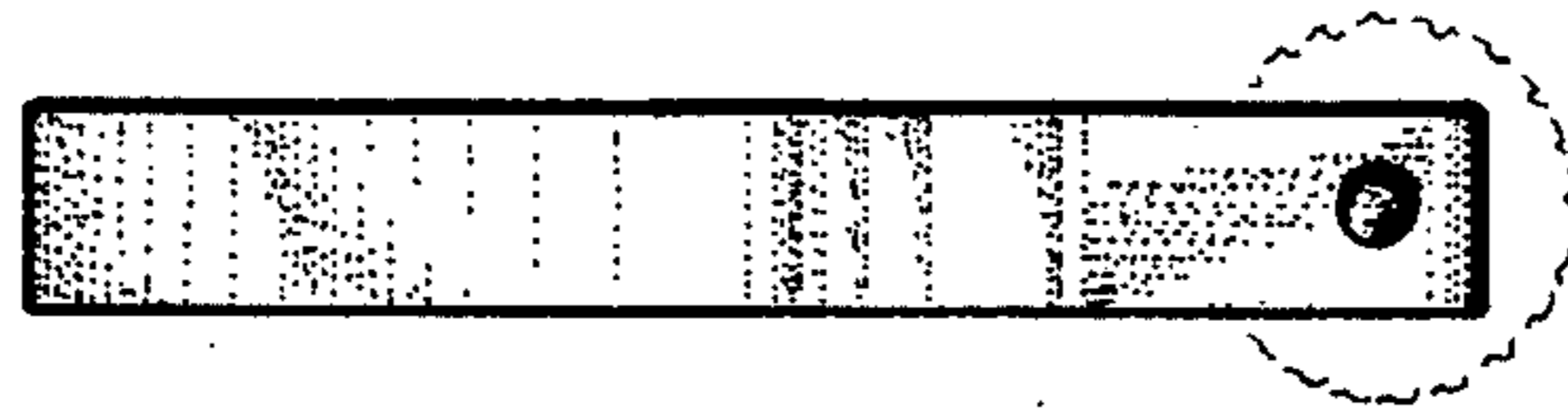


FIG. 4

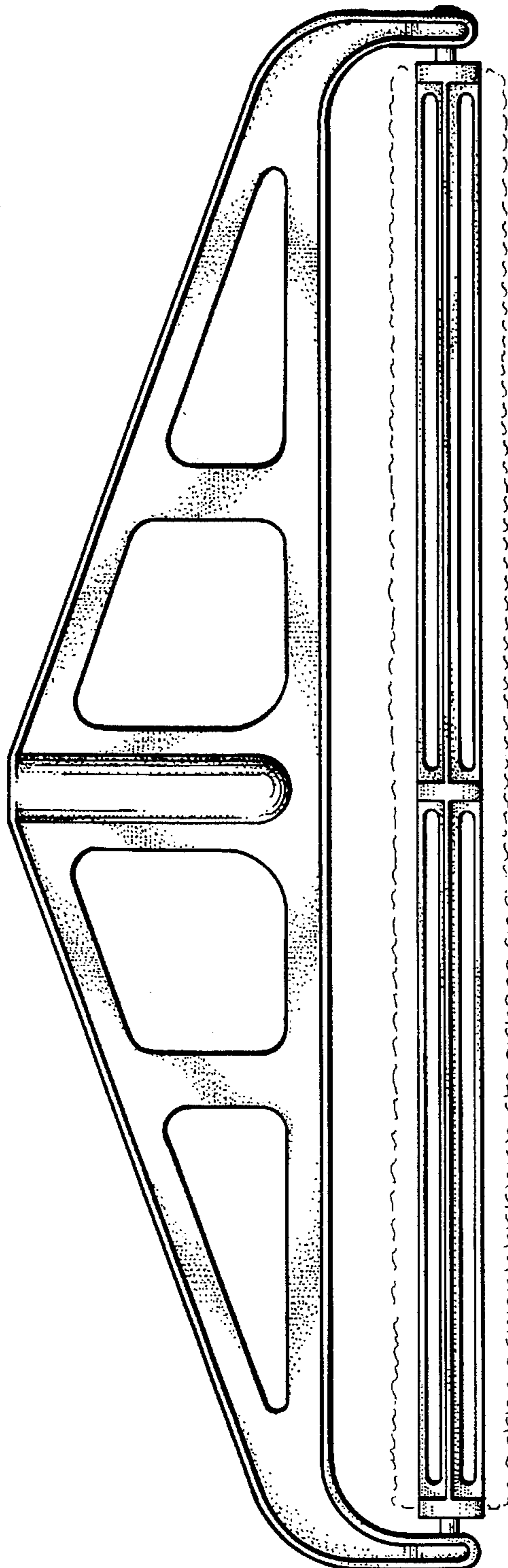


FIG. 3

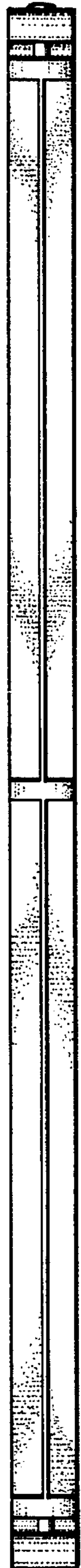


FIG. 5