



US00D376908S

United States Patent [19]

[11] Patent Number: **Des. 376,908**

Hsu

[45] Date of Patent: ****Dec. 31, 1996**

[54] **TOOL BOX**

4,855,881	8/1989	Pence	362/154
5,143,440	9/1992	Trampota	362/154
5,301,829	4/1994	Chrisco	206/373
5,333,408	8/1994	Simmons	362/154

[76] Inventor: **Hung-Chi Hsu**, No. 30-12, Chue Tzu Tou, Hsi Kang Village, Tainan Hsien, Taiwan

[**] Term: **14 Years**

Primary Examiner—Philip S. Hyder
Attorney, Agent, or Firm—Morton J. Rosenberg; David I. Klein

[21] Appl. No.: **47,578**

[57] CLAIM

[22] Filed: **Dec. 7, 1995**

The ornamental design for a tool box, as shown and described.

[52] U.S. Cl. **D3/274; D3/905; D26/38**

[58] Field of Search **D3/274, 276, 282, D3/905; D26/34, 38; 362/109, 154; 206/349, 372, 373**

DESCRIPTION

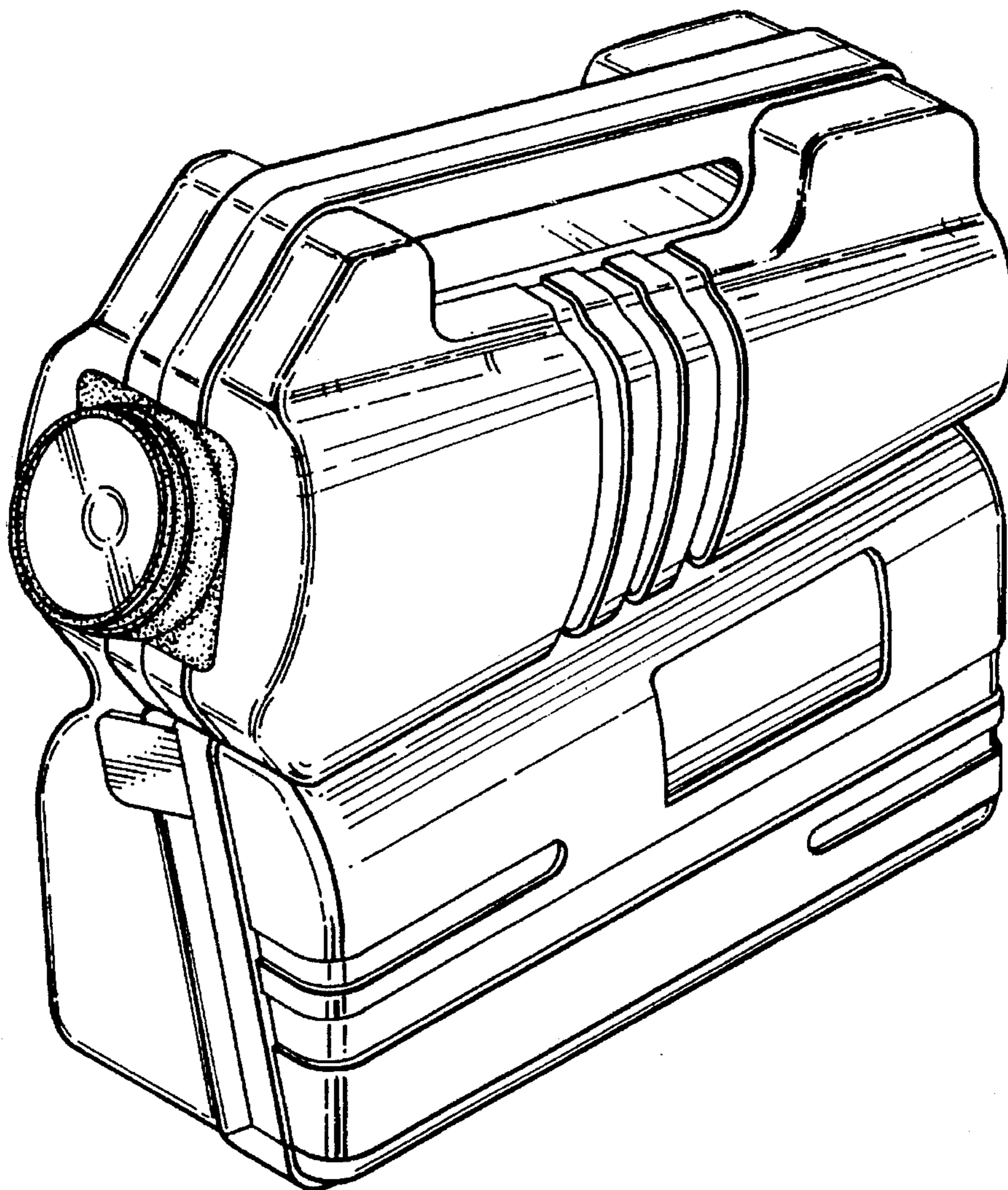
[56] References Cited

U.S. PATENT DOCUMENTS

D. 321,985	12/1991	Ward	D3/282
D. 339,228	9/1993	Moos et al.	D26/38
D. 343,062	1/1994	Delage et al.	D3/282
D. 347,731	6/1994	Hayakawa et al.	D3/282
D. 358,709	5/1995	Chang	D3/282
D. 362,547	9/1995	Dell et al.	D3/282

FIG. 1 is a perspective view of a tool box showing my new design;
FIG. 2 is a front elevational view thereof;
FIG. 3 is a rear elevational view thereof;
FIG. 4 is a left side elevational view thereof;
FIG. 5 is a right side elevational view thereof;
FIG. 6 is a top plan view thereof; and,
FIG. 7 is a bottom plan view thereof.

1 Claim, 4 Drawing Sheets



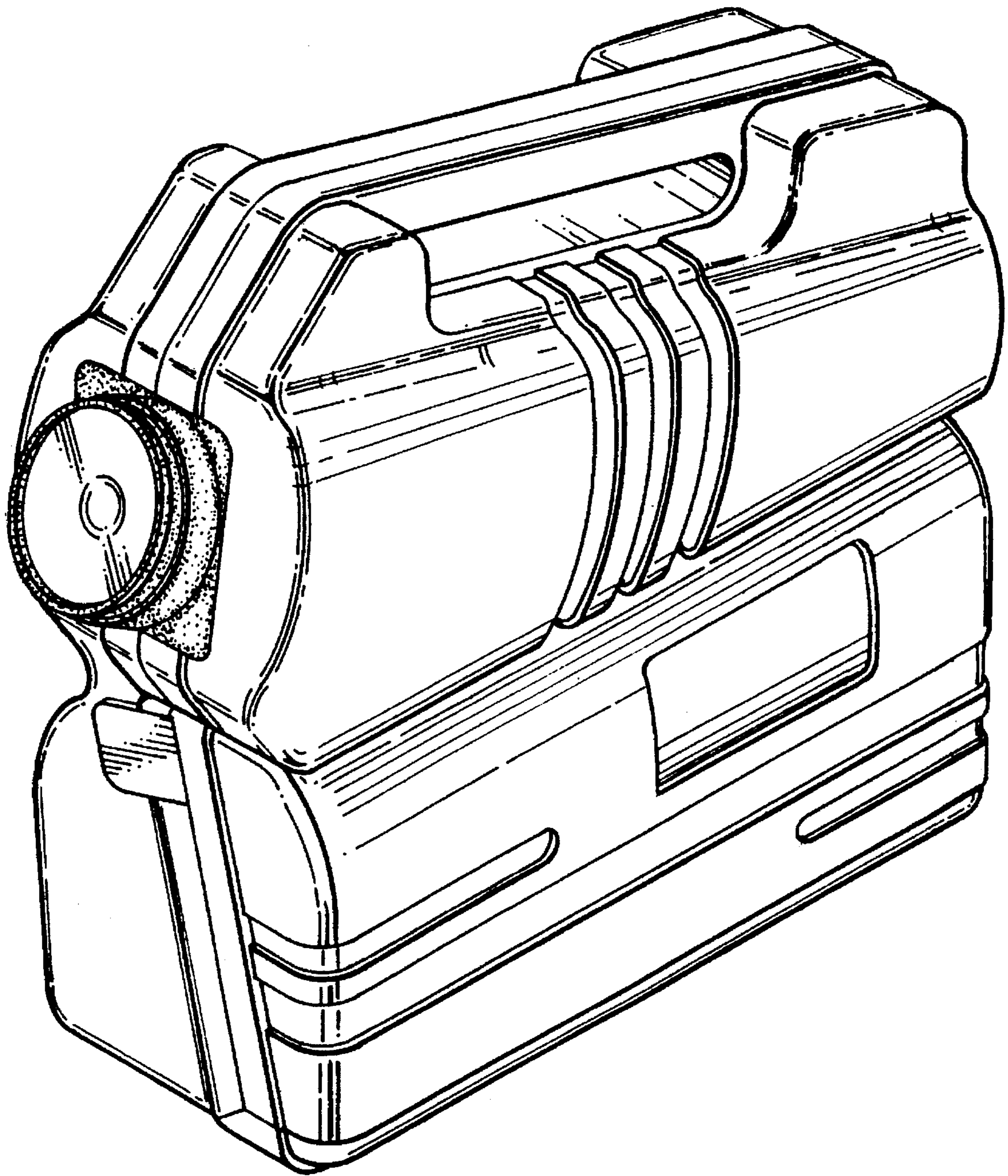


FIG. 1

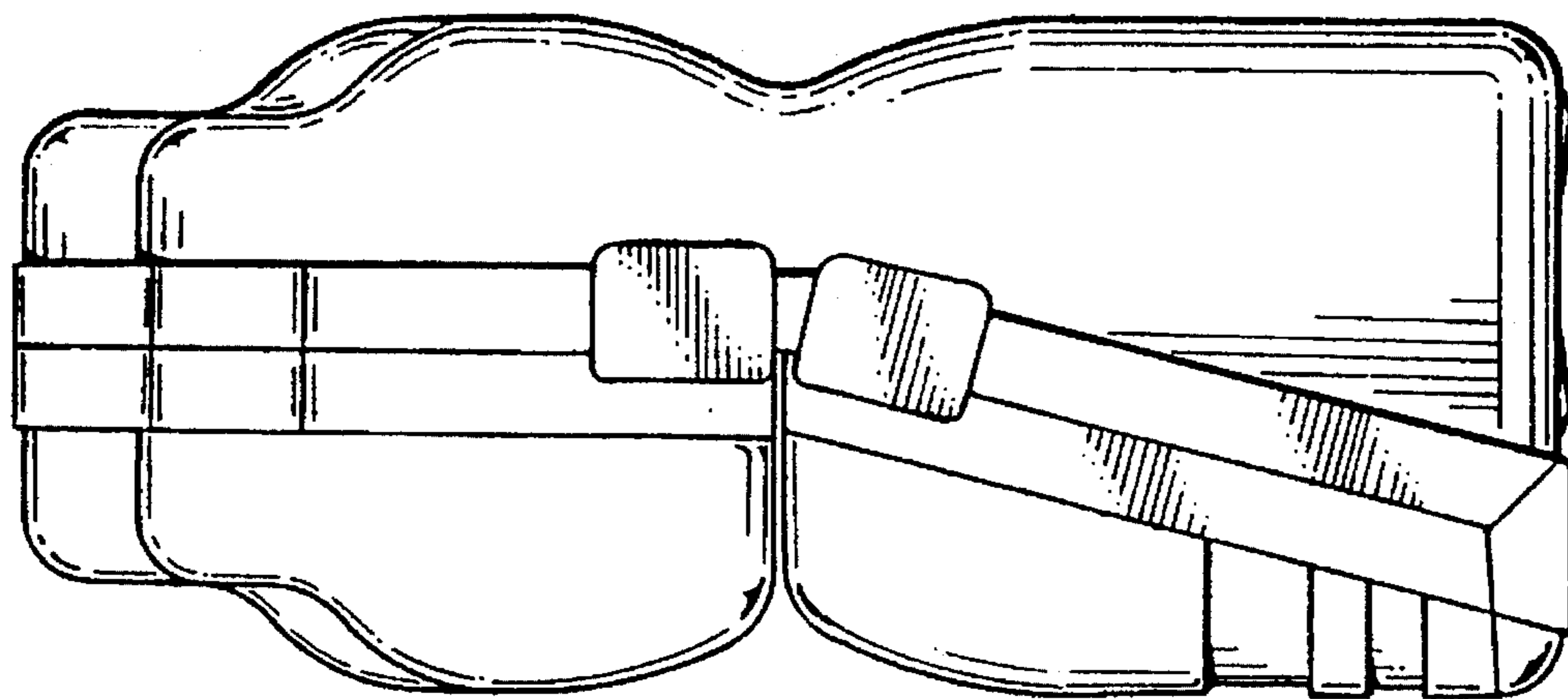


FIG. 3

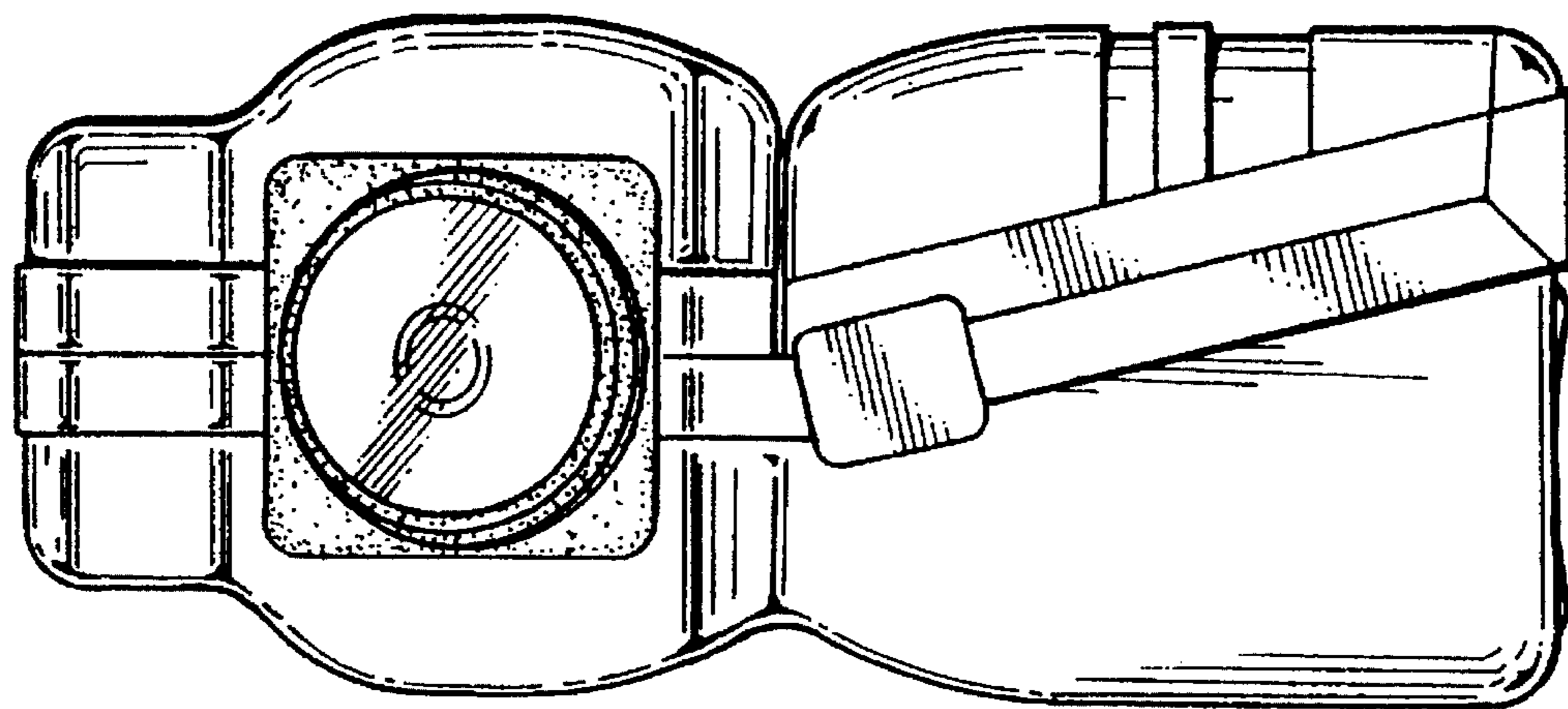


FIG. 2

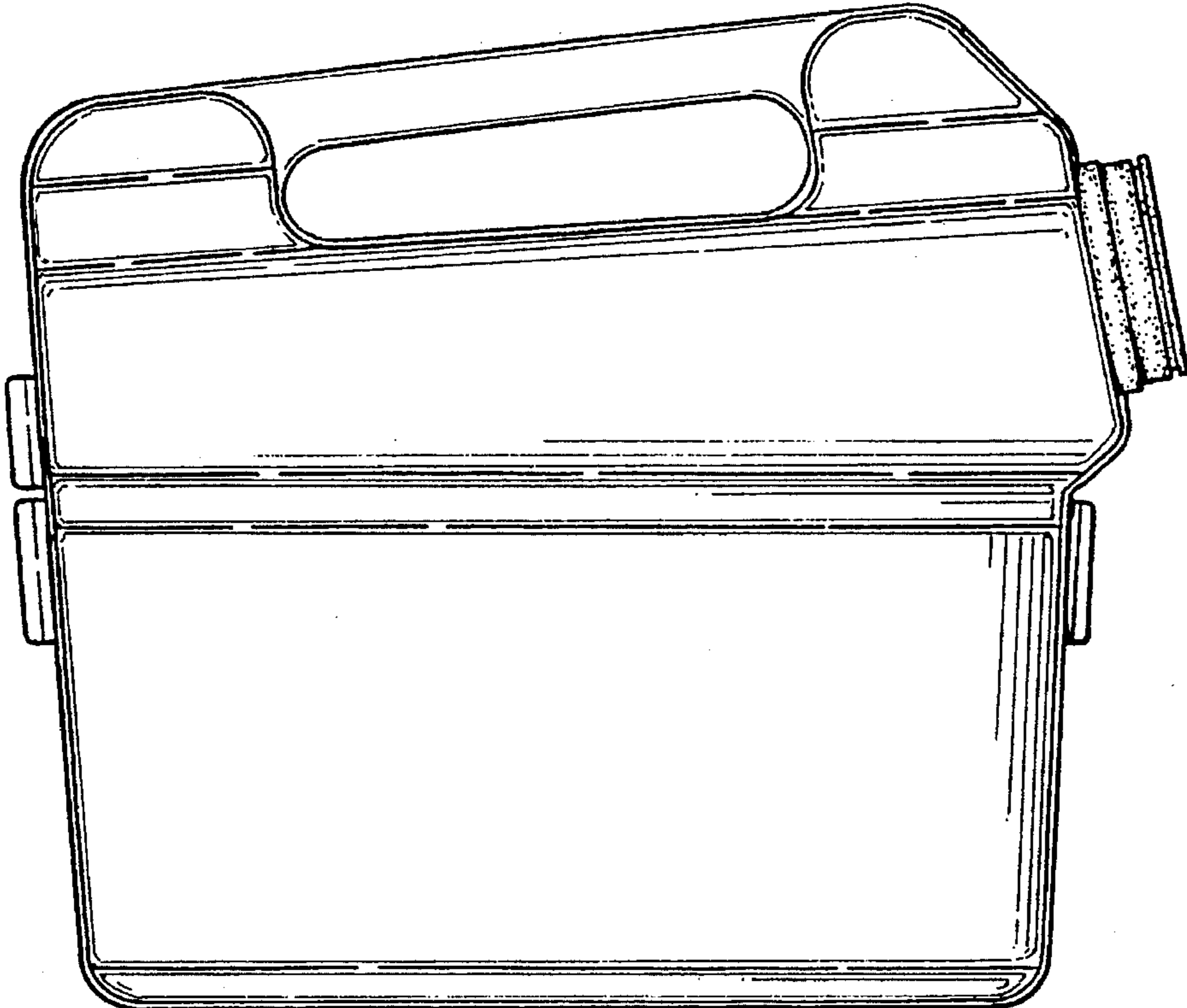


FIG. 4

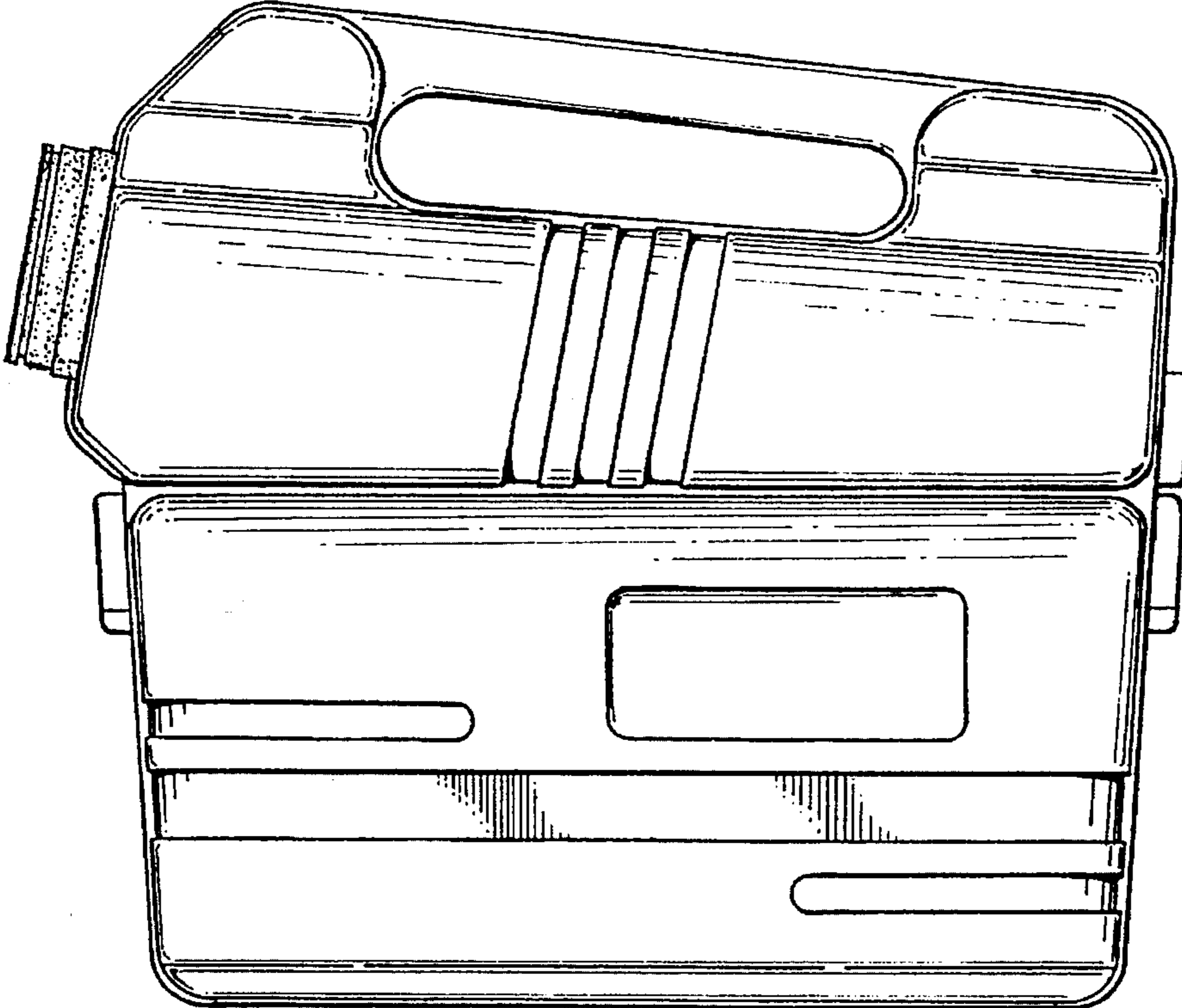


FIG. 5

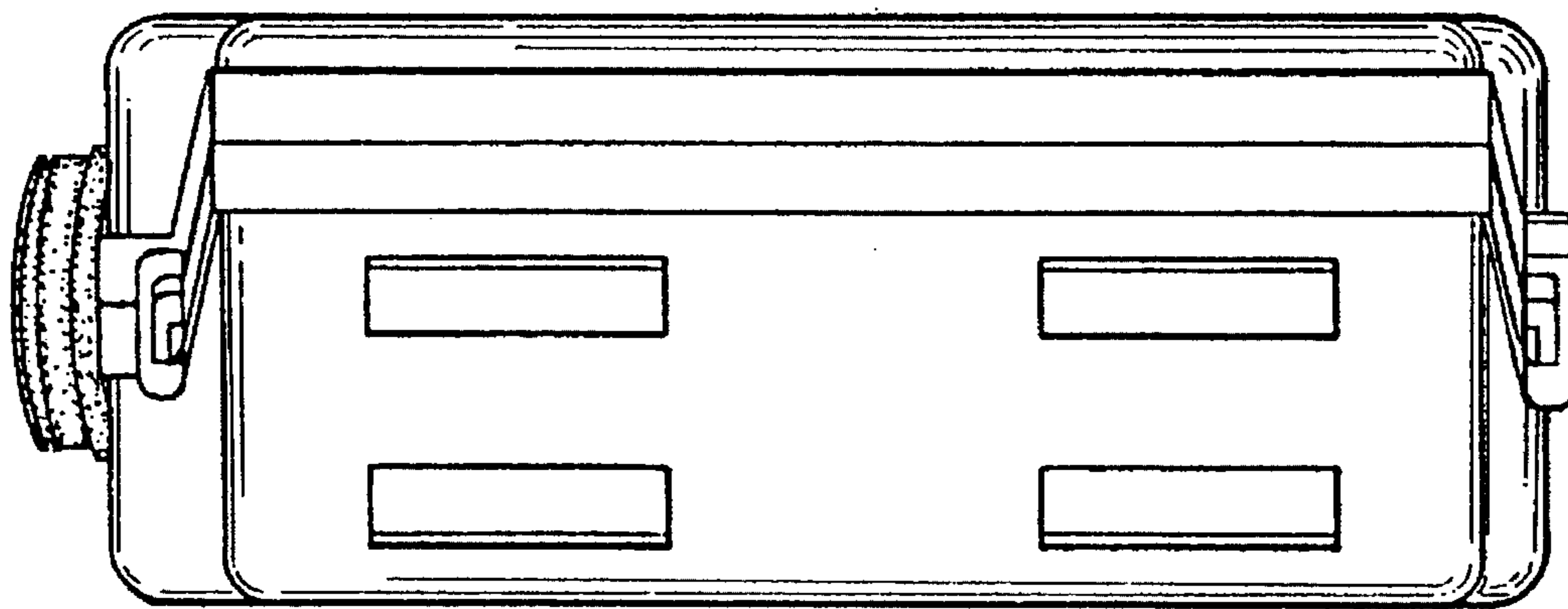


FIG. 7

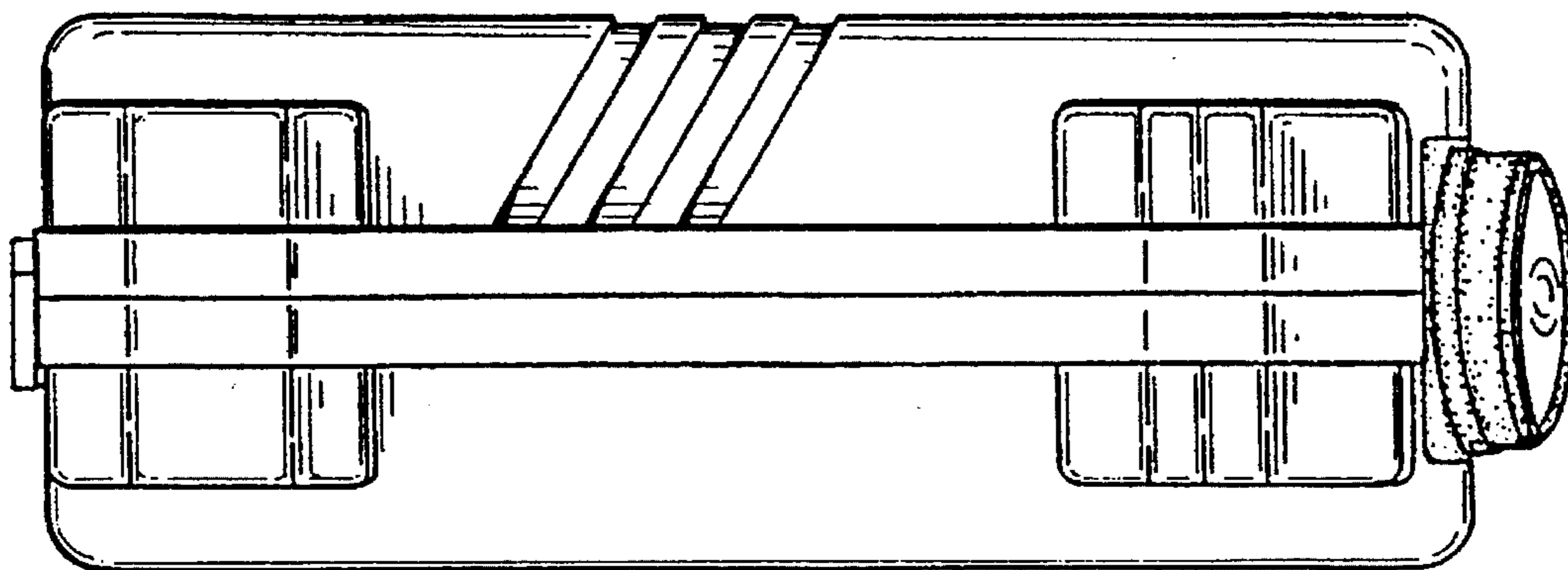


FIG. 6