



US00D376895S

United States Patent [19]
Cook

[11] **Patent Number: Des. 376,895**

[45] **Date of Patent: **Dec. 31, 1996**

[54] **SANDAL**

[76] **Inventor: Gordon Cook, 780 Laird Blvd.,
Montreal, Que. H3B 1Y6, Canada**

[**] **Term: 14 Years**

[21] **Appl. No.: 34,393**

[22] **Filed: Feb. 3, 1995**

Related U.S. Application Data

[63] **Continuation-in-part of Ser. No. 19,097, Feb. 23, 1994,
abandoned.**

[30] **Foreign Application Priority Data**

Nov. 8, 1993 [CA] Canada 08-11-93-1

[52] **U.S. Cl. D2/916**

[58] **Field of Search D2/916; 36/11.5,
36/7.5, 7.6, 7.7, 45, 50.1, 102**

[56] **References Cited**

U.S. PATENT DOCUMENTS

D. 296,608 7/1988 Maciel D2/916

D. 363,814	11/1995	Tsujino	D2/916
4,793,075	12/1988	Thatcher	36/11.5
5,205,054	4/1993	York, Jr.	36/11.5
5,228,216	7/1993	Sargeant	36/11.5
5,438,767	8/1995	Stein	D2/916 X

*Primary Examiner—Doris V. Coles
Attorney, Agent, or Firm—Barrigar & Moss*

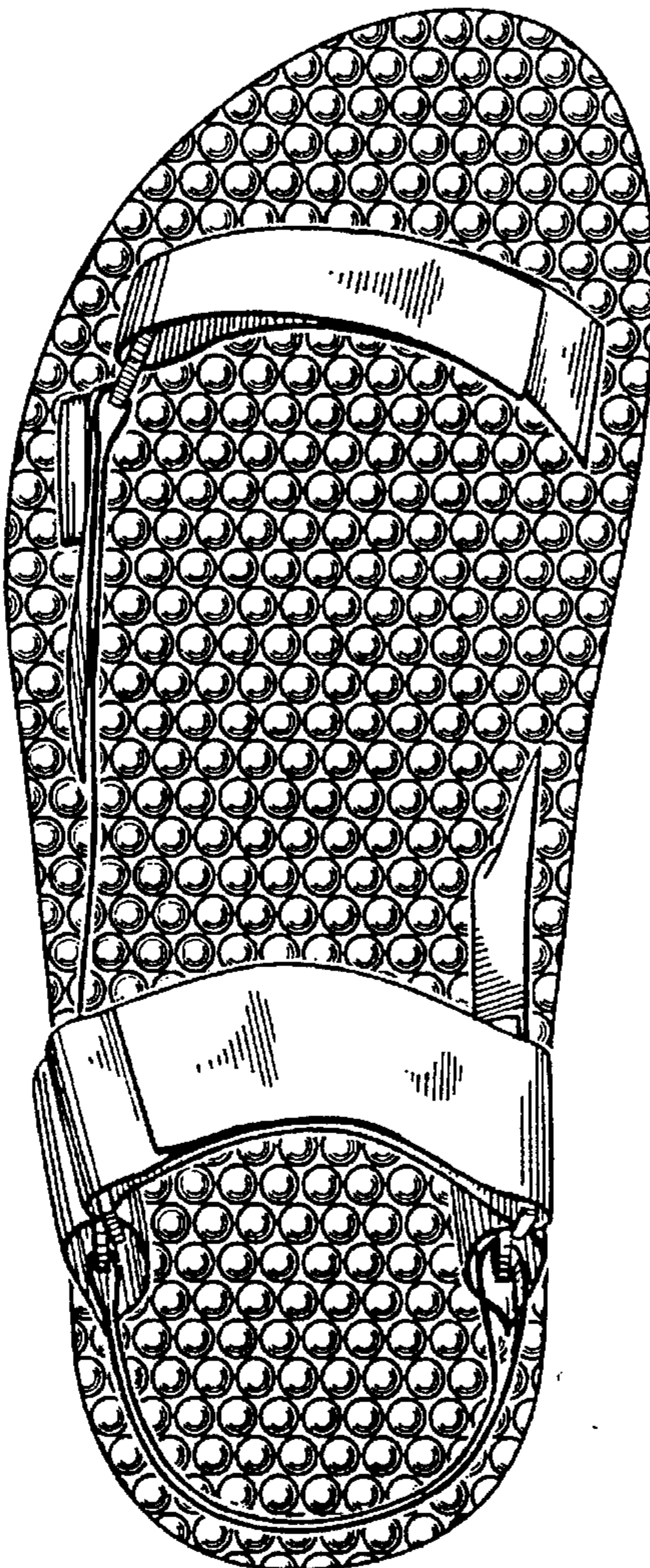
[57] **CLAIM**

The ornamental design for a sandal, as shown and described.

DESCRIPTION

FIG. 1 is a top view of a sandal showing my new design;
FIG. 2 is a bottom view thereof;
FIG. 3 is a front end view thereof;
FIG. 4 is a back end view thereof;
FIG. 5 is a right side elevational view thereof; and,
FIG. 6 is a left side elevational view thereof.

1 Claim, 2 Drawing Sheets



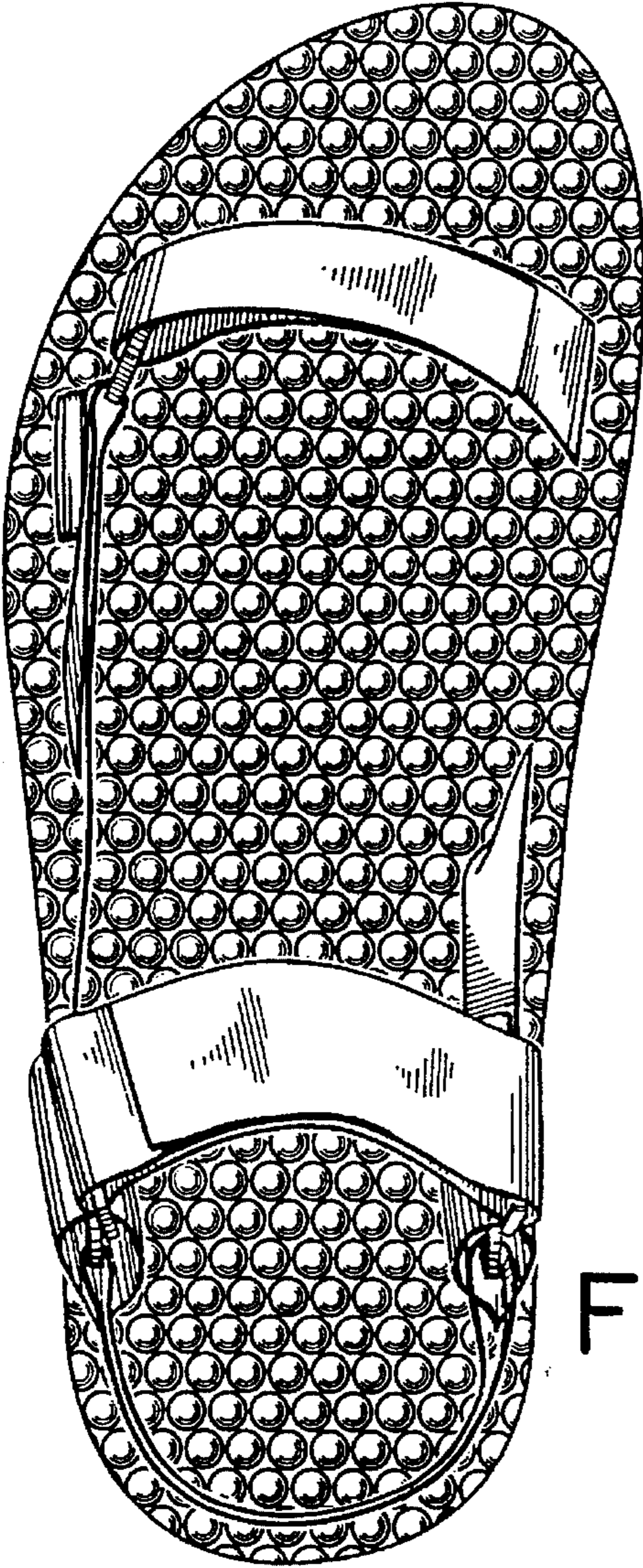
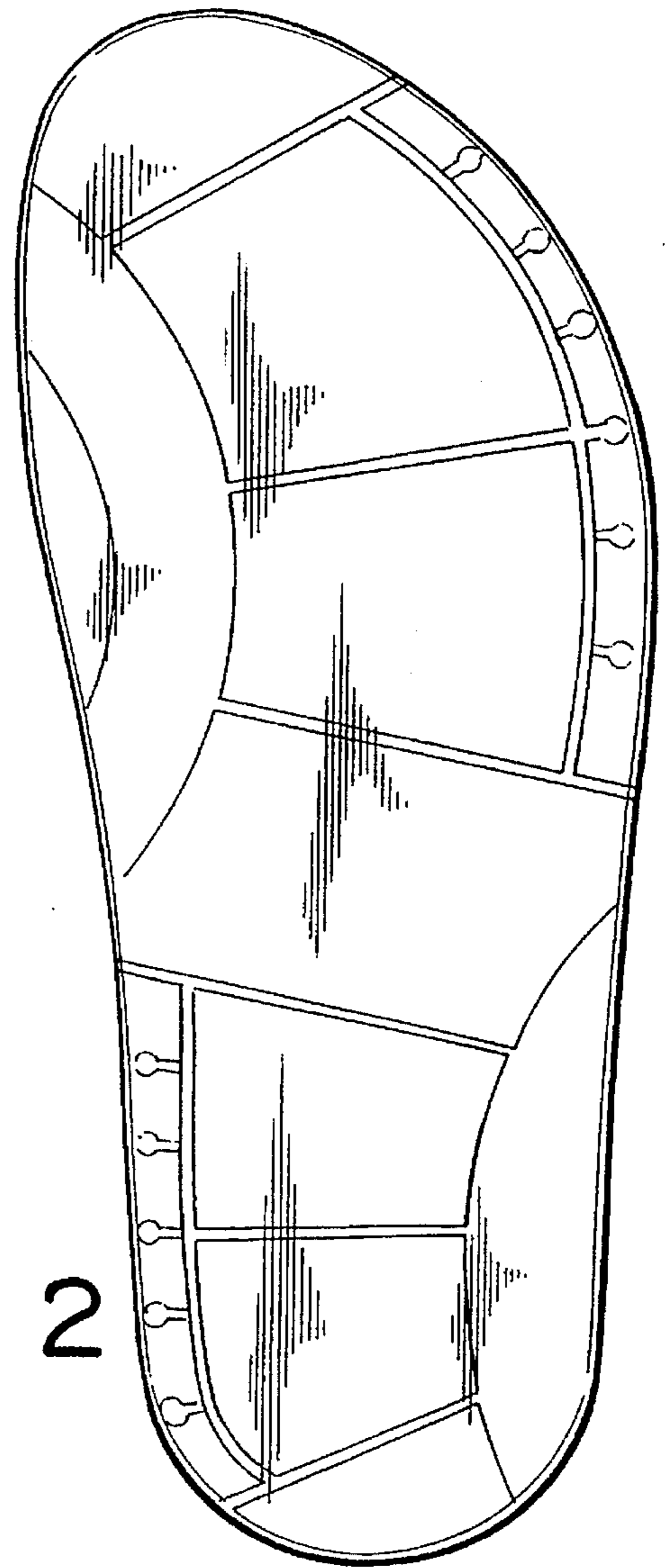


FIG. 1

FIG. 2



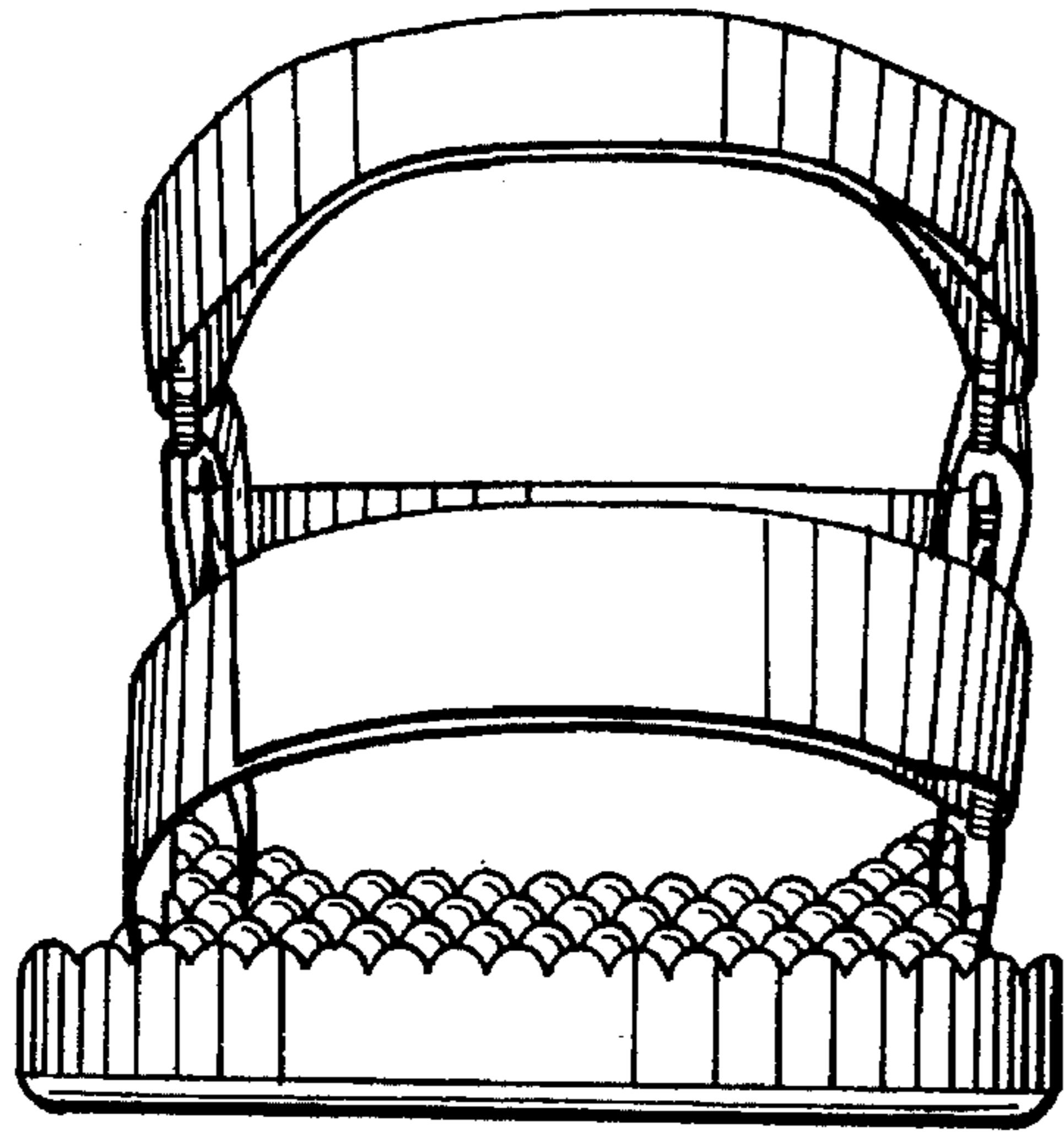


FIG. 3

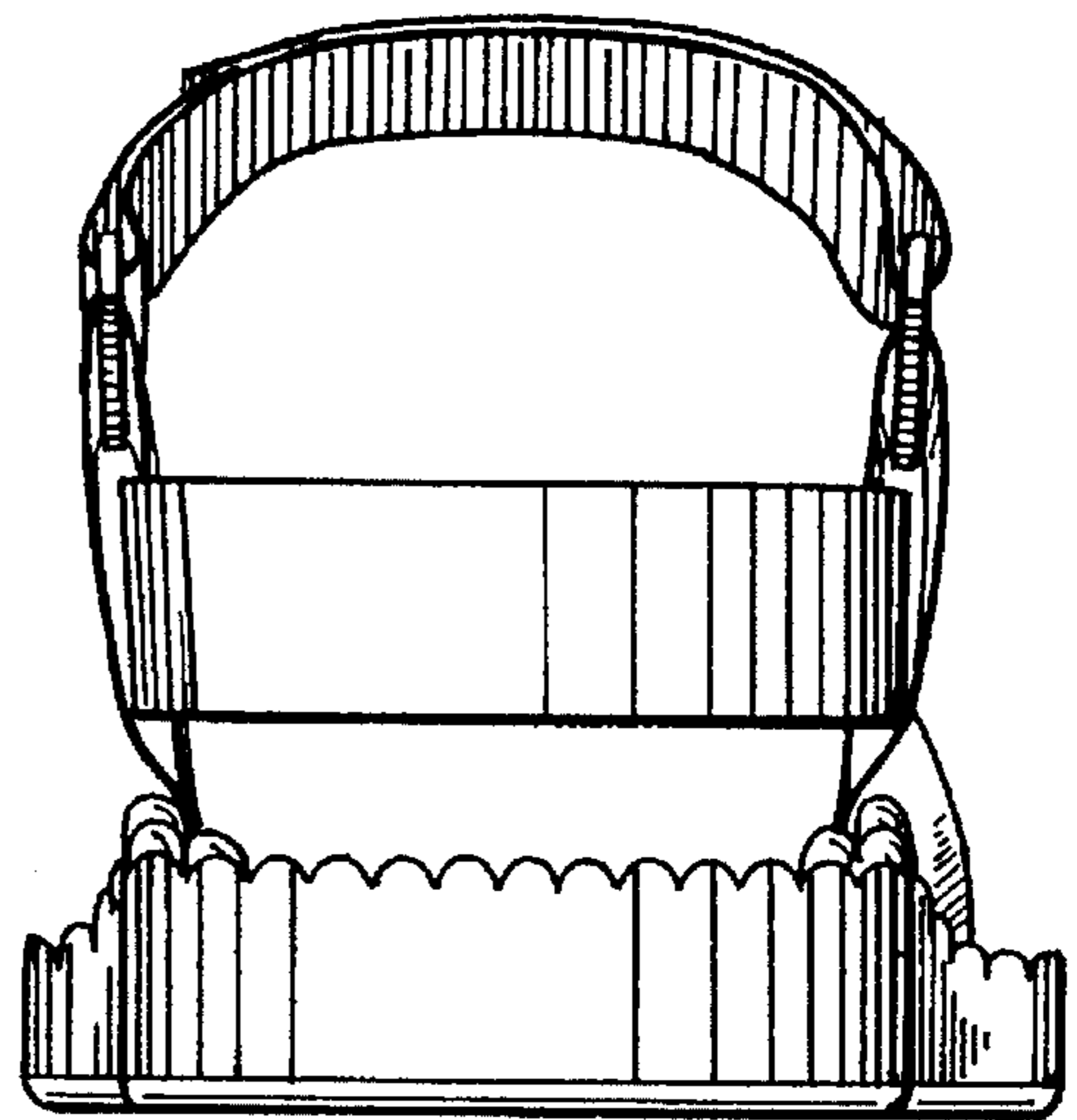


FIG. 4

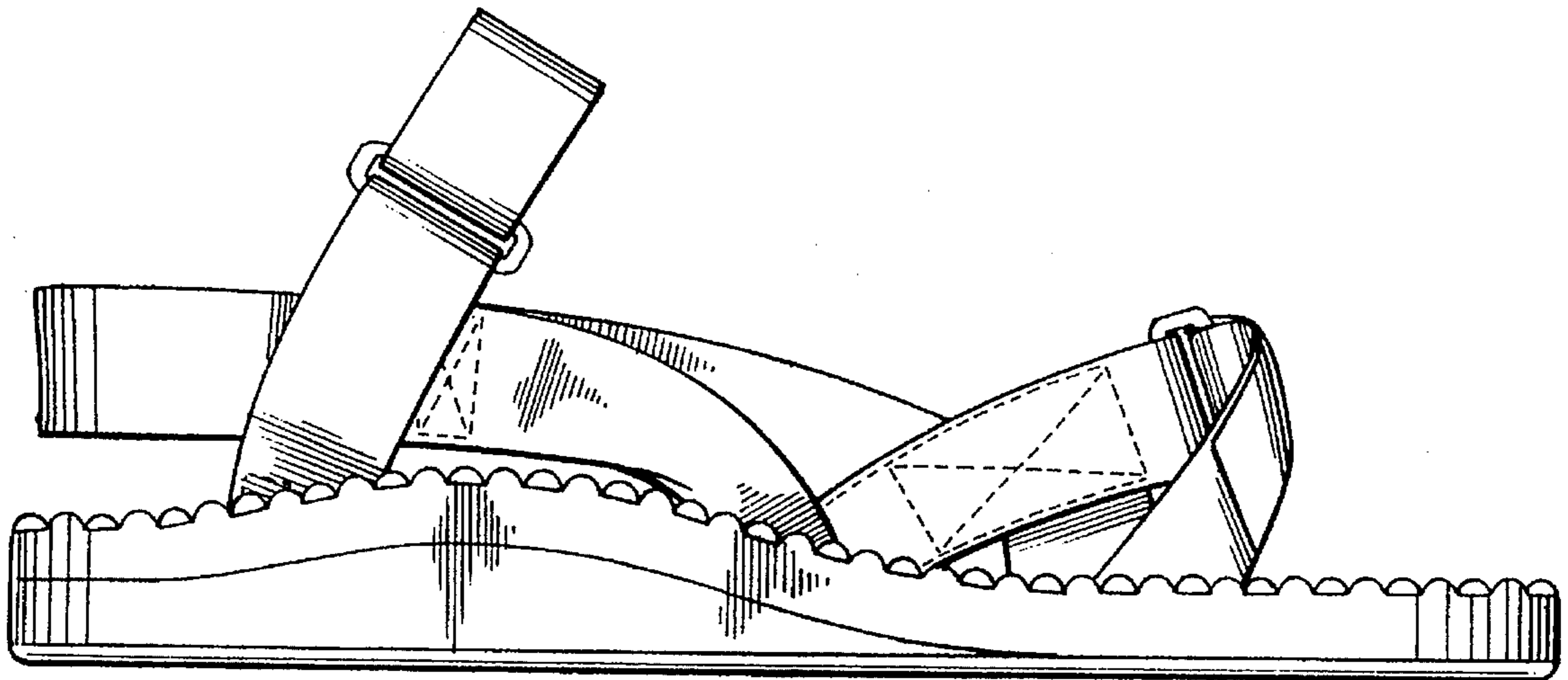


FIG. 5

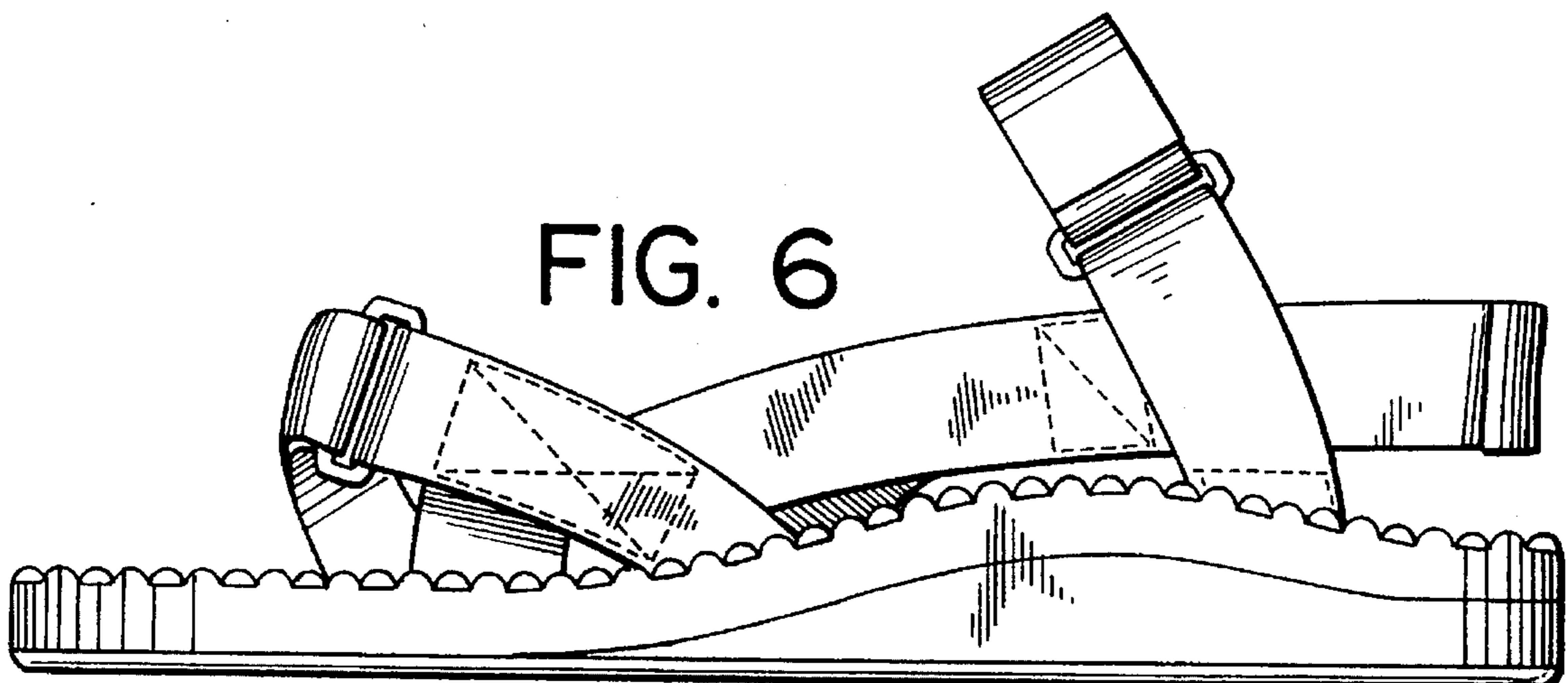


FIG. 6