



US00D376891S

# United States Patent [19]

[11] Patent Number: **Des. 376,891**

Wooten, Jr. et al.

[45] Date of Patent: **\*\*Dec. 24, 1996**

[54] MAILBOX CADDY

[76] Inventors: **Frederick A. Wooten, Jr.; Alice M. Ratliff-Wooten**, both of Rte. 3, Box 38, Albany, Ohio 45710

[\*\*] Term: **14 Years**

[21] Appl. No.: **40,384**

[22] Filed: **Jun. 16, 1995**

[52] U.S. Cl. .... **D99/31**

[58] Field of Search ..... D99/29-33; 232/1 C, 232/1 D, 4 R, 5, 17, 19, 25-28, 34, 35, 37-39, 43.4

[56] **References Cited**

**U.S. PATENT DOCUMENTS**

D. 312,912	12/1990	Klahre	.....	D99/31 X
D. 313,105	12/1990	Klahre	.....	D99/31 X
D. 322,418	12/1991	White	.....	D99/31 X
D. 365,189	12/1995	Dennis	.....	D99/29
3,107,848	10/1963	Penta	.....	D99/29 X

4,368,842	6/1983	Delange, III	.....	D99/29 X
4,375,869	3/1983	Hatch	.....	D99/29 X
5,425,501	6/1995	Wesorick	.....	232/17
5,460,325	10/1995	Surman	.....	232/17

*Primary Examiner*—B. J. Bullock  
*Assistant Examiner*—S. Snapp  
*Attorney, Agent, or Firm*—Harpman & Harpman

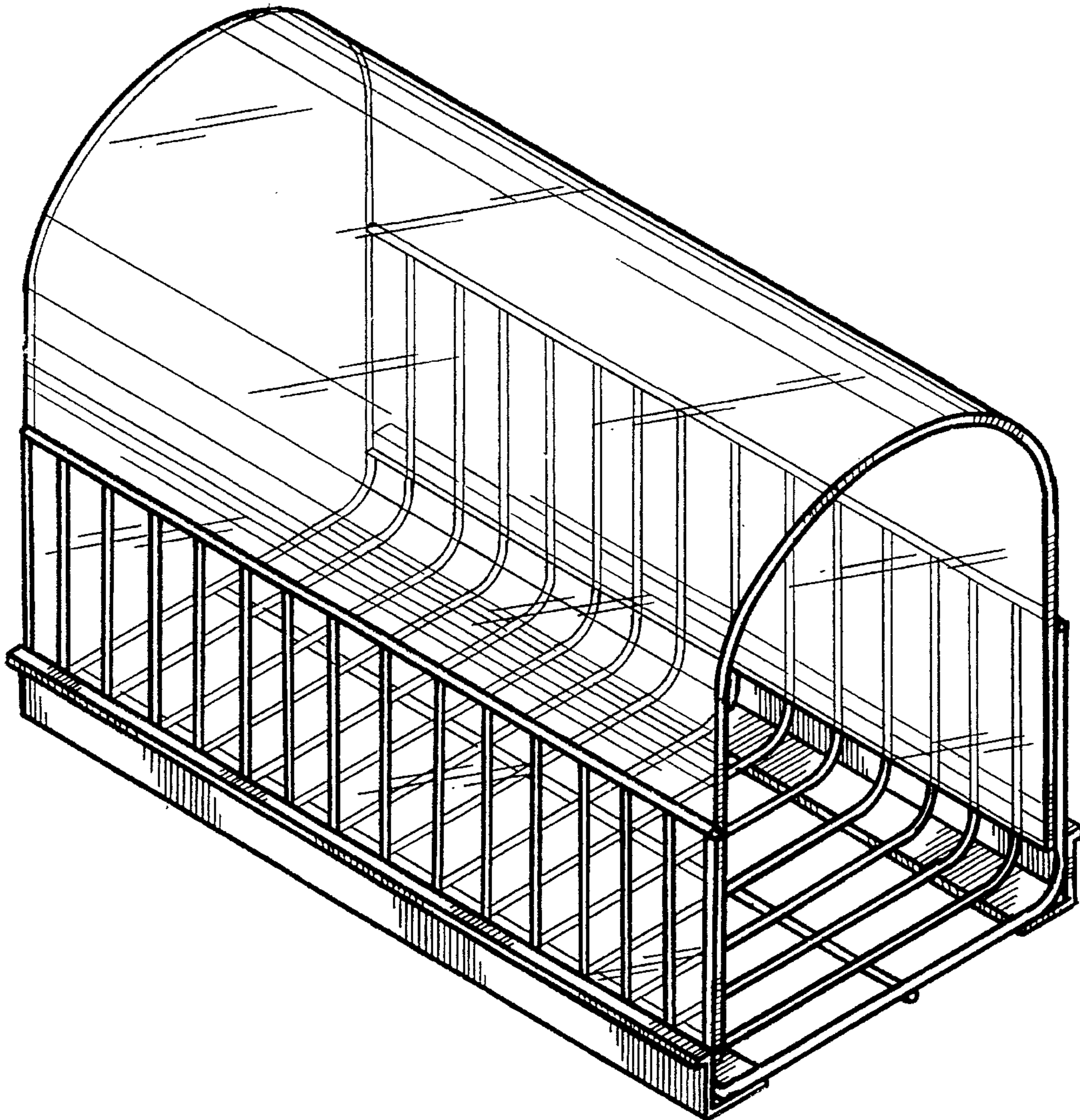
[57] **CLAIM**

The ornamental design for a mailbox caddy, as shown and described.

**DESCRIPTION**

FIG. 1 is a front, top and side perspective view of the mailbox caddy embodying the design of the present invention;  
FIG. 2 is a rear elevational view thereof;  
FIG. 3 is a side elevational view thereof, the side opposite being a mirror image of the side shown in FIG. 3;  
FIG. 4 is a top plan view thereof; and,  
FIG. 5 is a bottom plan view thereof.

**1 Claim, 3 Drawing Sheets**



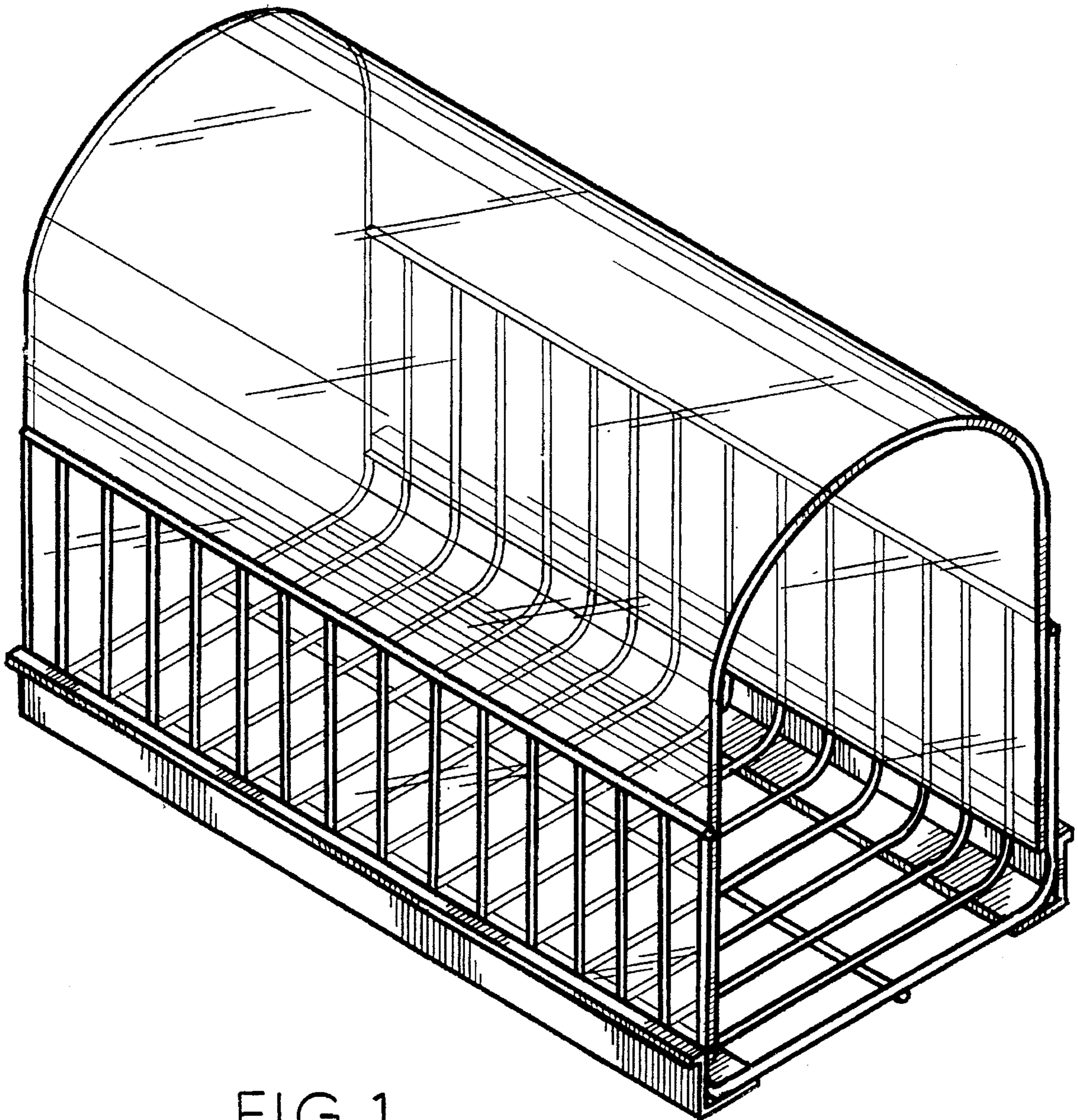


FIG. 1.



FIG. 2.

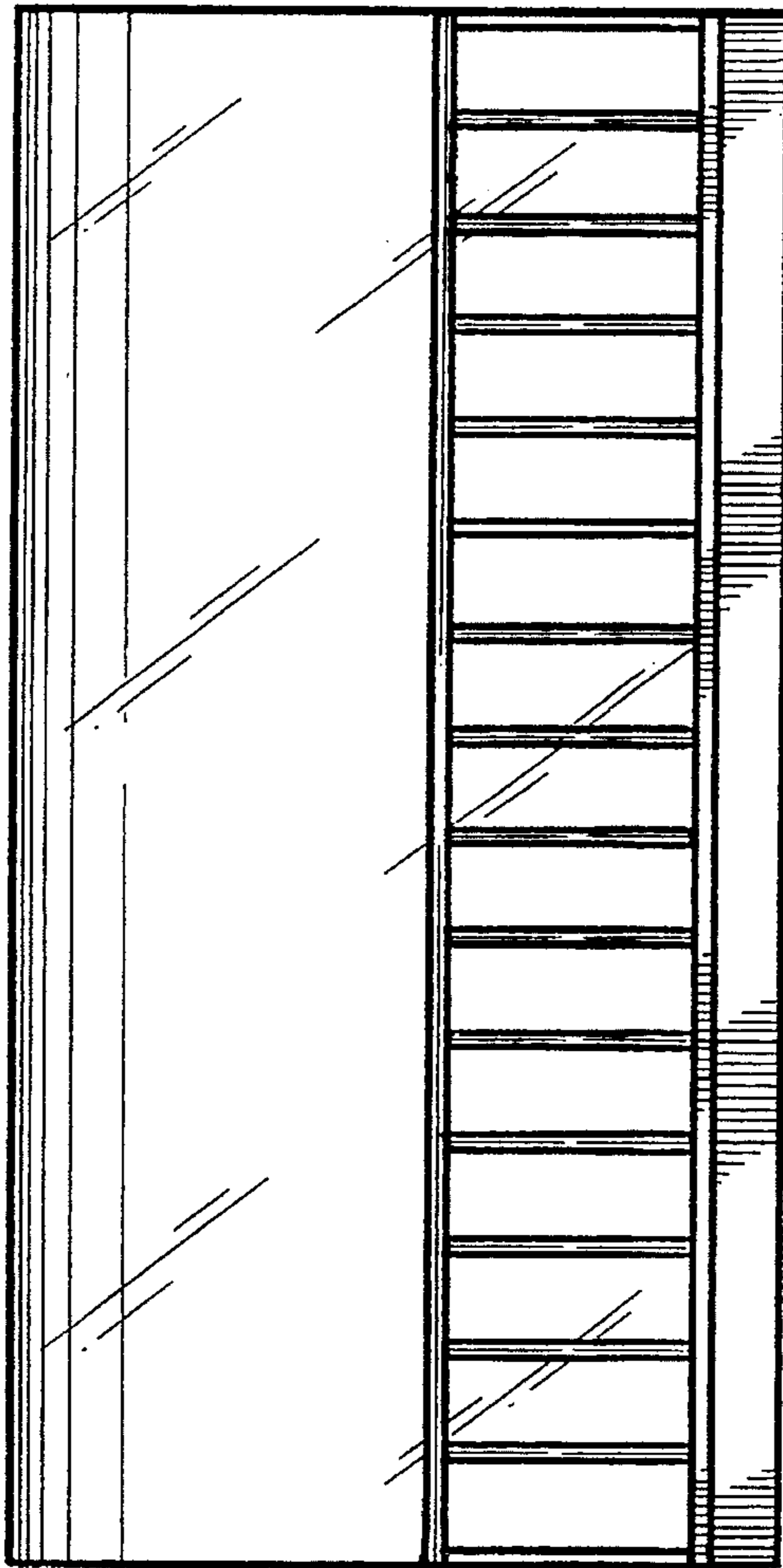
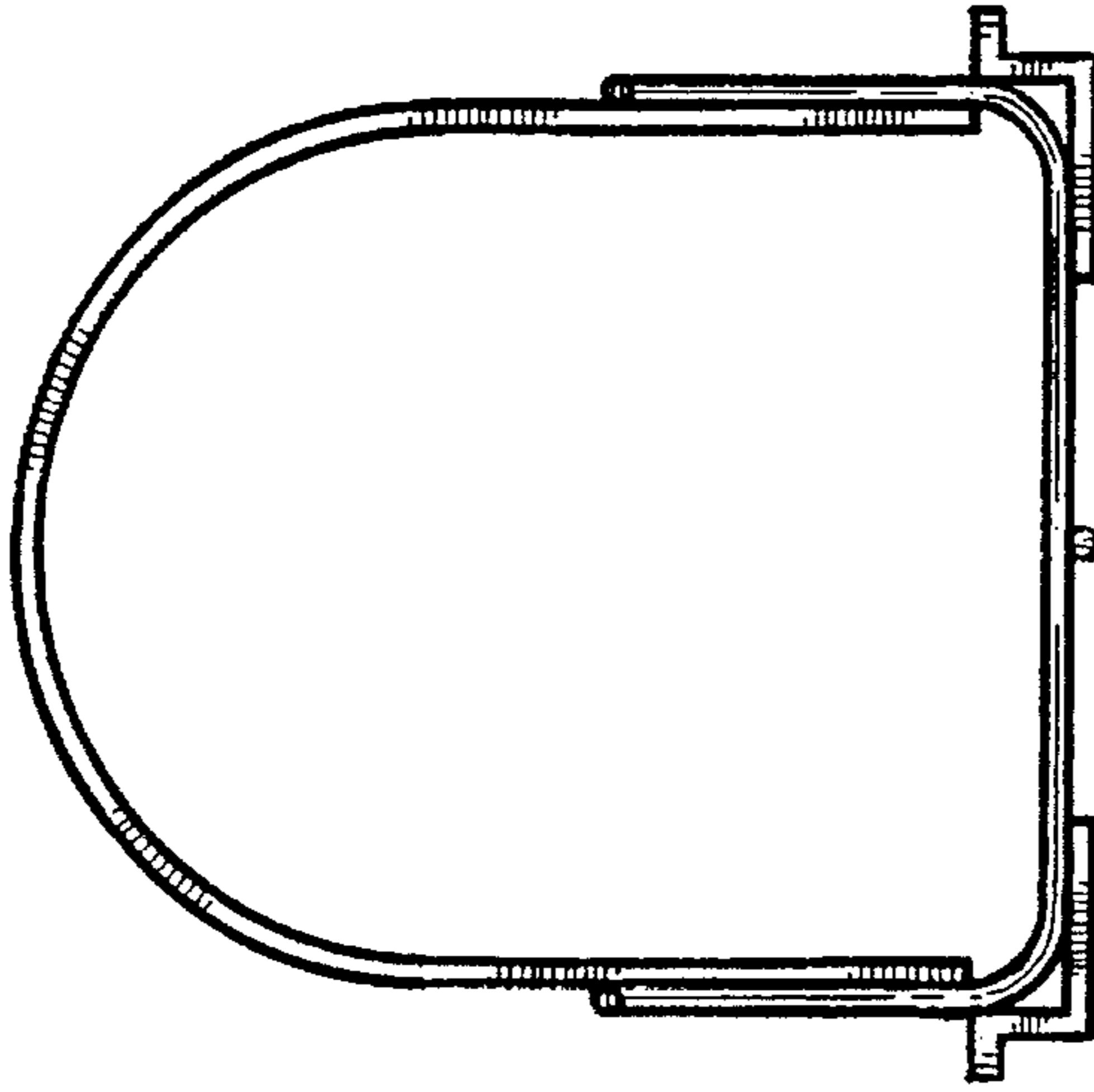


FIG. 3.

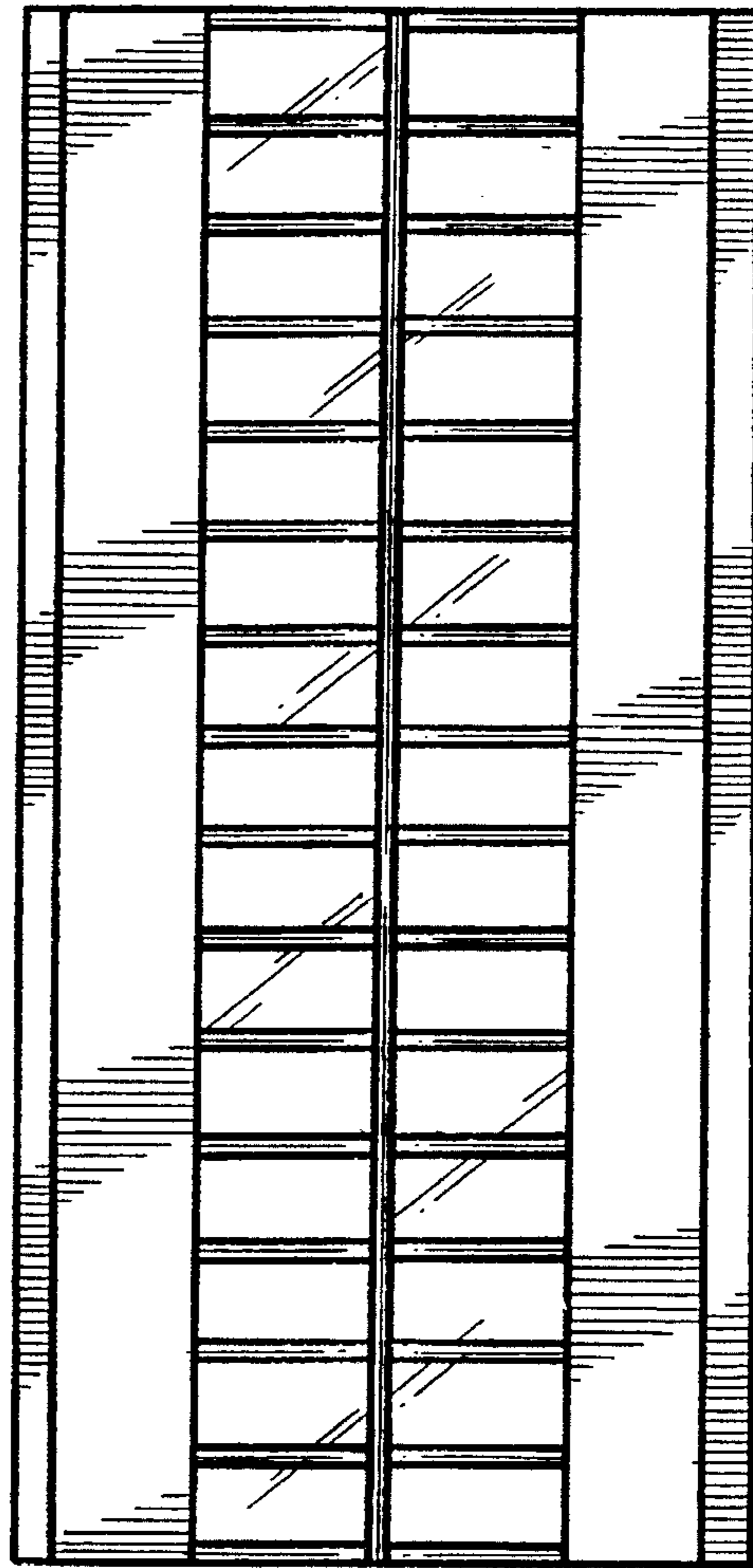


FIG. 5.

FIG. 4.

