



US00D376889S

United States Patent [19]

[11] Patent Number: **Des. 376,889**

Pilla

[45] Date of Patent: ****Dec. 24, 1996**

[54] **DESIGN FOR MATERIAL HANDLING SUPPORT RACK**

4,043,462	8/1977	Schiron .	
4,191,112	3/1980	Maldonado .	
4,290,370	9/1981	Gallagher .	
4,377,241	3/1983	Schreiner	108/51.1

[75] Inventor: **George F. Pilla**, Alliance, Ohio

[73] Assignee: **Ohio Rack, Inc.**, Alliance, Ohio

[**] Term: **14 Years**

Primary Examiner—James M. Gandy
Assistant Examiner—Linda Brooks
Attorney, Agent, or Firm—Allen P. Rosenberg

[21] Appl. No.: **34,339**

[57] **CLAIM**

[22] Filed: **Feb. 2, 1995**

The ornamental design for a material handling support rack, as shown and described.

[52] U.S. Cl. **D34/38**

DESCRIPTION

[58] Field of Search D34/38; 108/51.1, 108/51.3, 52.1, 53.1, 53.5, 54.1, 55.1, 55.3, 55.5, 56.1, 56.3; D8/354

FIG. 1 is a right front perspective view of the material handling support rack, showing my new design; FIG. 2 is a right front perspective view of said design with a lower support rack further comprising a pallet, included for illustrative purposes only; FIG. 3 is a top plan view of said design; FIG. 4 is a front elevation view of said design; FIG. 5 is a bottom plan view of said design; FIG. 6 is a rear elevation view of said design; and, FIG. 7 is a side elevation view of said design (both sides the same).

[56] **References Cited**

U.S. PATENT DOCUMENTS

Re. 26,618	6/1969	Skubic .	
D. 315,819	3/1991	Dinsmoor et al.	D34/38
2,828,933	4/1958	De Pew .	
2,991,033	7/1961	Selz .	
3,123,021	3/1964	Evans .	
3,159,116	12/1964	Skubic .	
3,438,343	4/1969	McConnell .	
3,576,169	4/1971	De Pew .	
3,709,164	1/1973	Skubic .	
3,850,295	11/1974	Black .	
3,855,944	12/1974	Skubic .	
3,994,241	11/1976	Evans .	
4,002,126	1/1977	Bell et al. .	

The broken line showings of a second material handling support rack and pallets shown in FIGS. 1 and 2 are for purposes of illustration only and form no part of the claimed design.

1 Claim, 5 Drawing Sheets

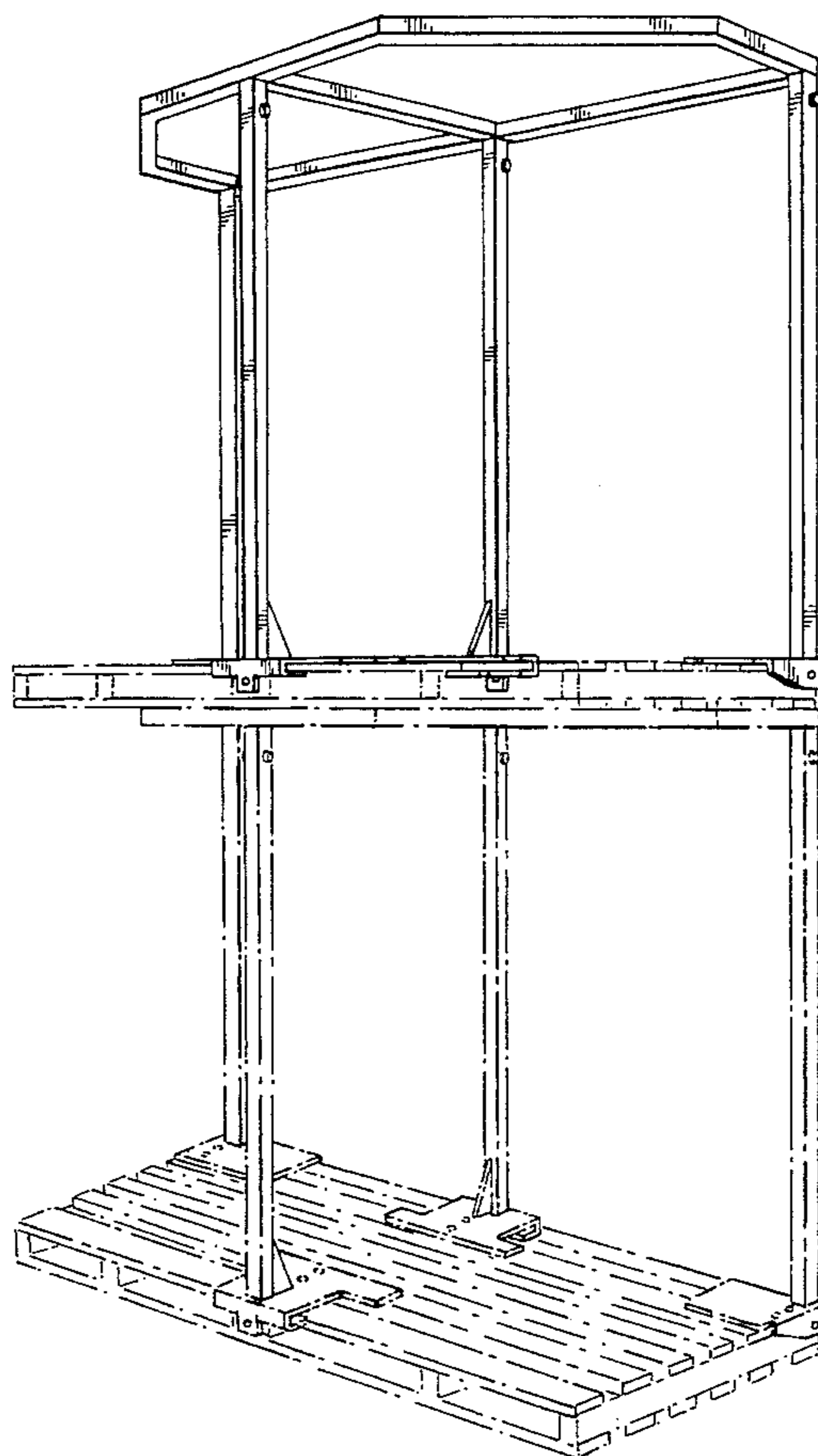


FIG. 1

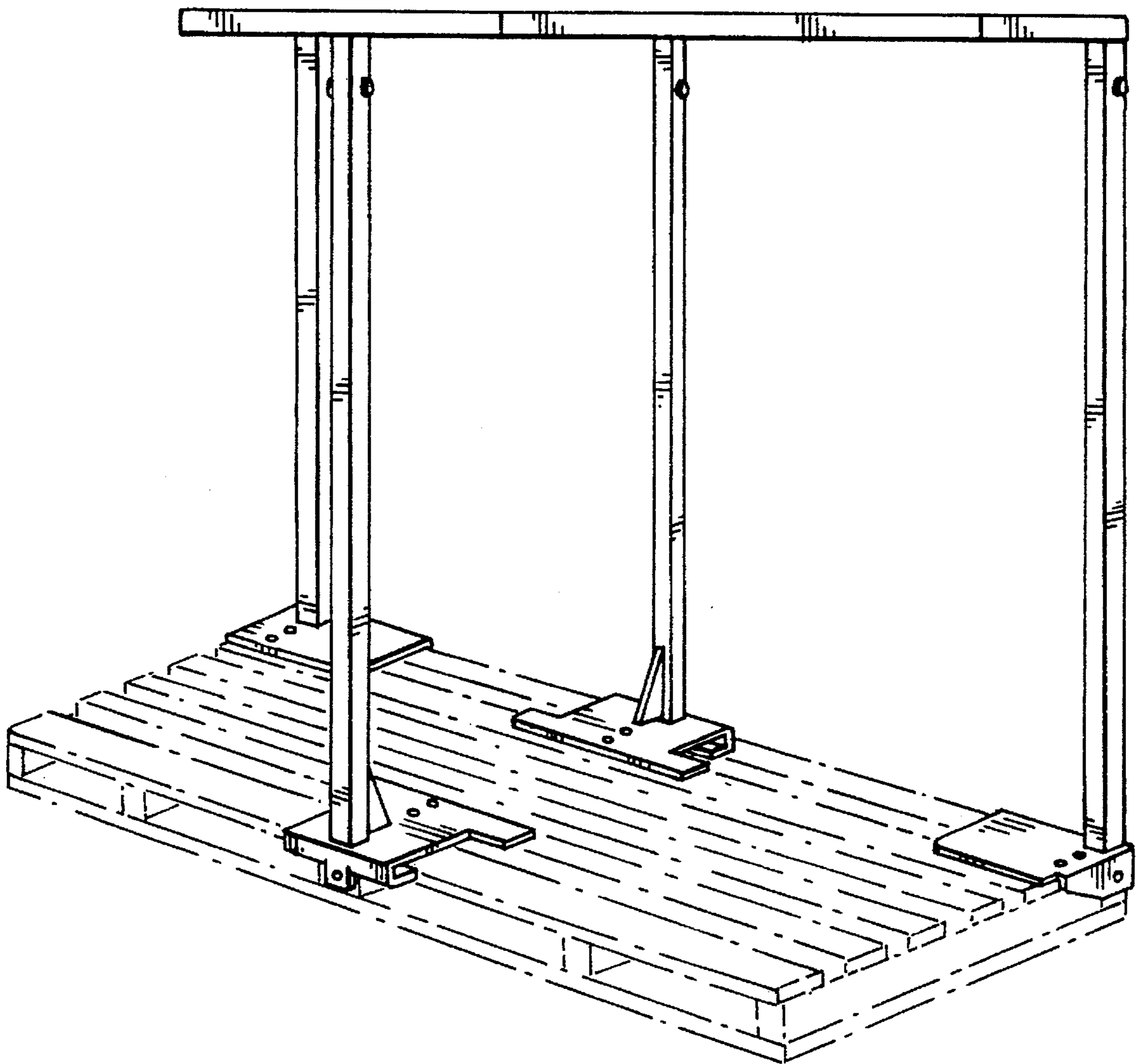


FIG. 2

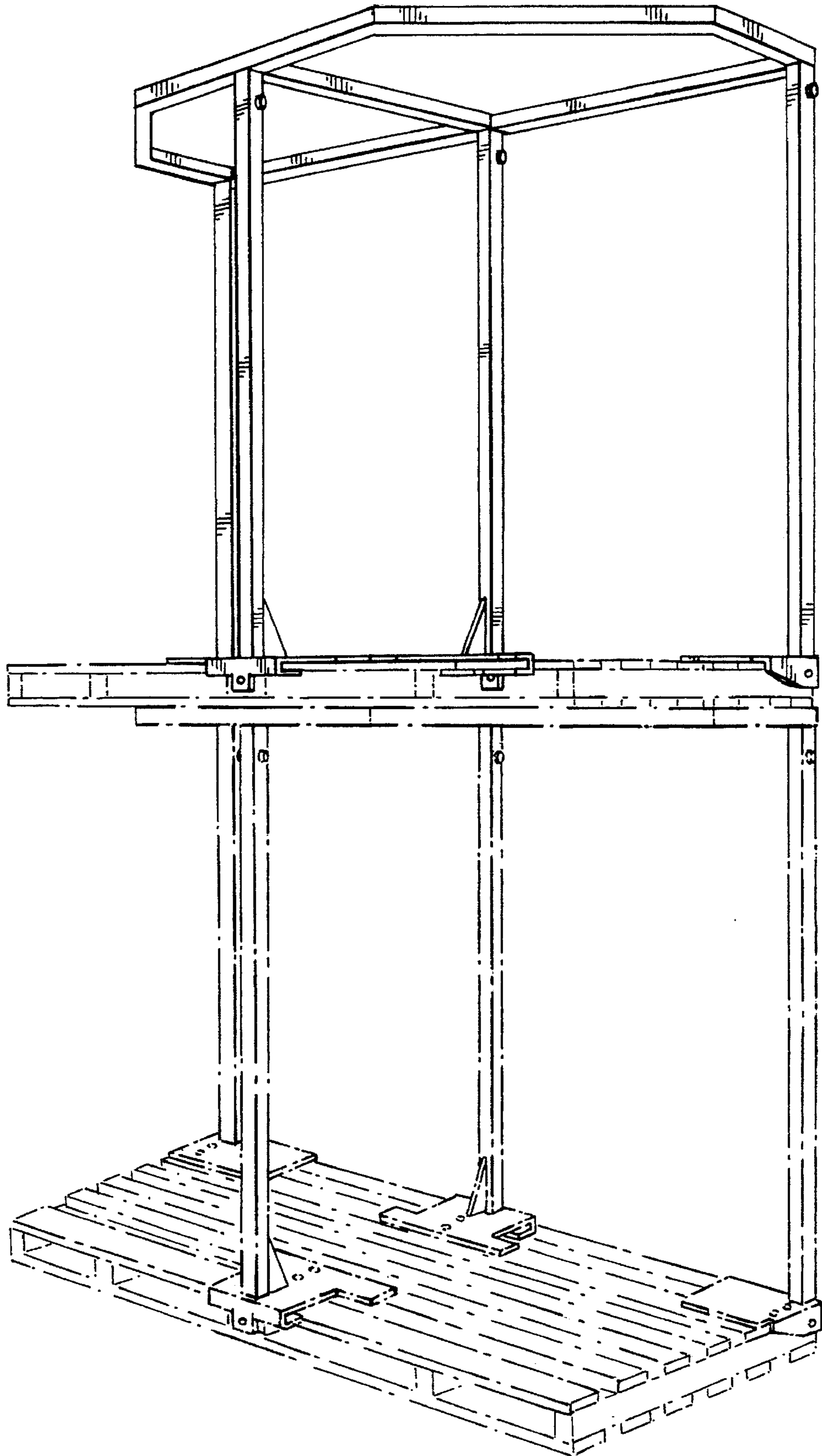


FIG. 3

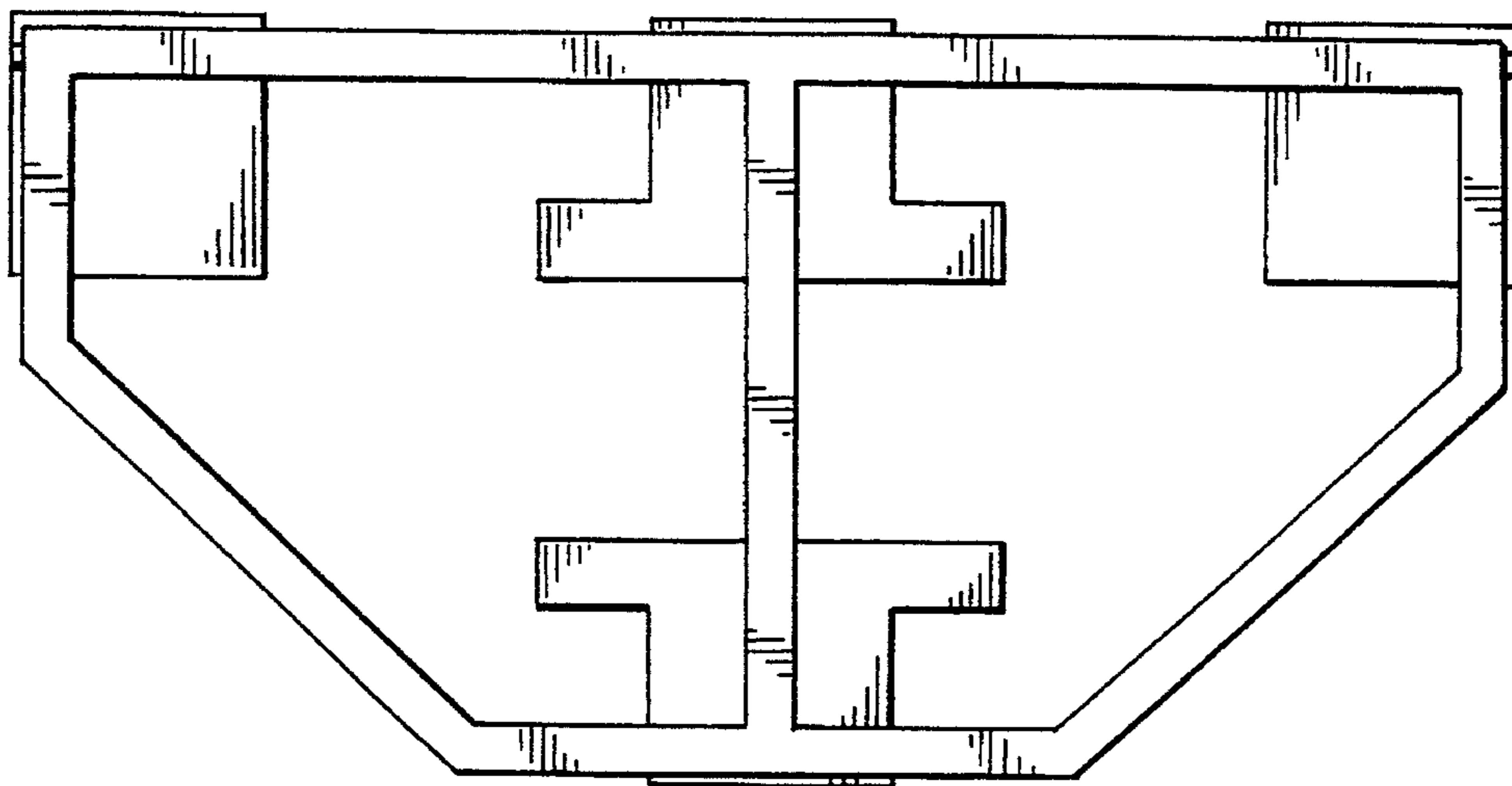


FIG. 4

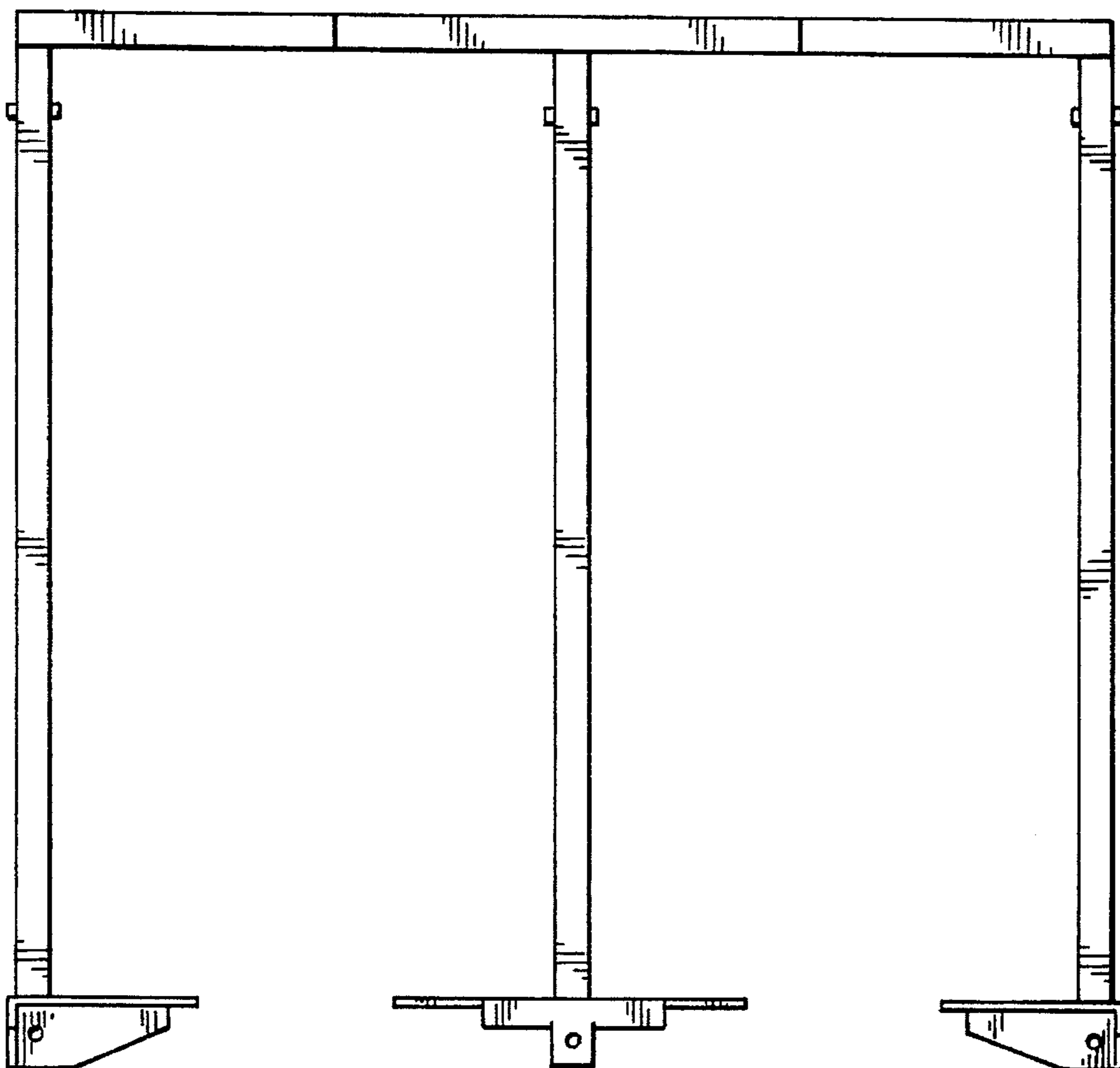


FIG. 5

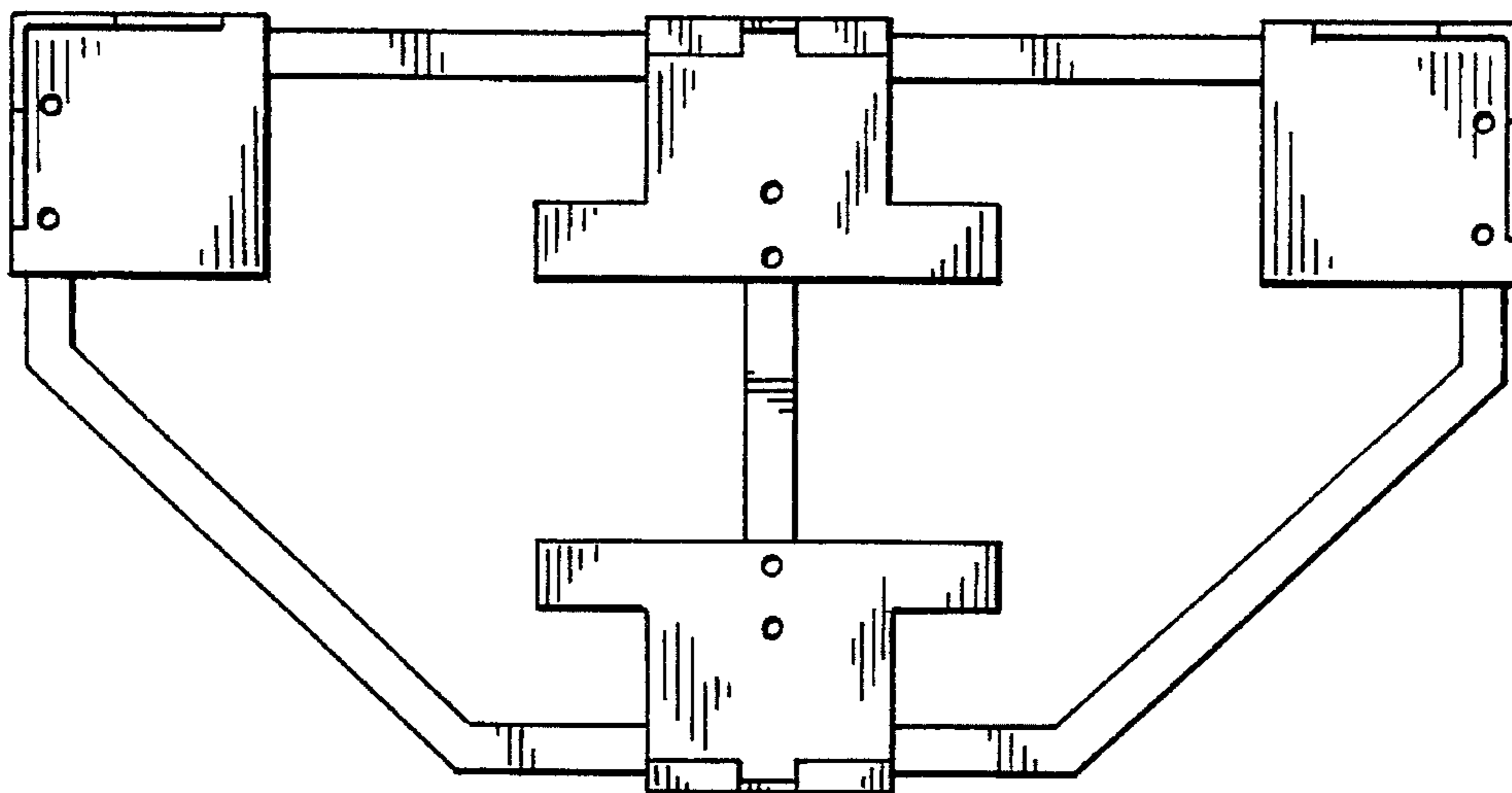


FIG. 6

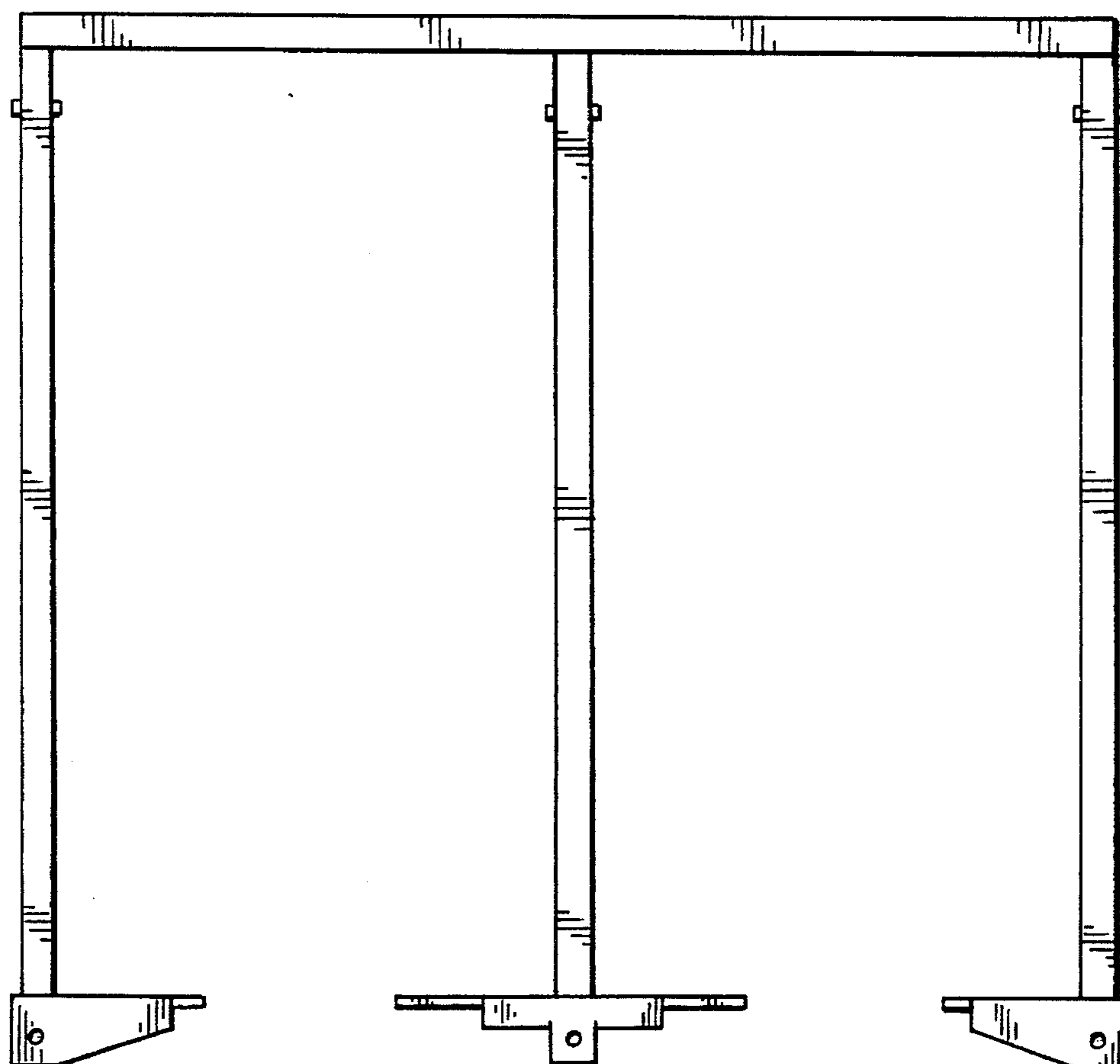


FIG. 7

