



US00D376888S

# United States Patent [19]

[11] Patent Number: **Des. 376,888**

Mohrlang

[45] Date of Patent: **\*\*Dec. 24, 1996**

[54] **YARD CRANE**

OTHER PUBLICATIONS

[75] Inventor: **Harry Mohrlang**, Brush, Colo.

Front and Side Pictures of Prior Yard Crane c. 1972.  
Front and Side Pictures of Prior Yard Crane c. 1986.

[73] Assignee: **Mohrlang Manufacturing, Inc.**, Brush, Colo.

*Primary Examiner*—A. Hugo Word  
*Assistant Examiner*—Robin V. Taylor  
*Attorney, Agent, or Firm*—W. Scott Carson

[\*\*] Term: **14 Years**

[57] **CLAIM**

[21] Appl. No.: **52,708**

The ornamental design for a yard crane, as shown.

[22] Filed: **Apr. 1, 1996**

**DESCRIPTION**

[52] U.S. Cl. .... **D34/33**

[58] Field of Search ..... D34/28, 33, 35;  
212/179; 254/1, 813; 414/560, 561; 294/67.1,  
81.1

FIG. 1 is a perspective view of a yard crane showing my new design;

FIG. 2 is a right side elevational view thereof;

FIG. 3 is a rear elevational view thereof taken along line 3—3 of FIG. 2;

FIG. 4 is a front elevational view thereof taken along line 4—4 of FIG. 2;

FIG. 5 is a left side elevational view thereof;

FIG. 6 is a top plan view thereof; a,d,

FIG. 7 is a bottom plan view thereof.

[56] **References Cited**

**U.S. PATENT DOCUMENTS**

D. 371,668	7/1996	Feider et al. ....	D34/28
3,061,110	10/1962	Montgomery .....	D34/34
4,544,070	10/1985	Sickler .....	212/179
4,546,891	10/1985	Lanigan et al. ....	D34/28
5,114,295	5/1992	Jansson .....	D34/28

**1 Claim, 7 Drawing Sheets**

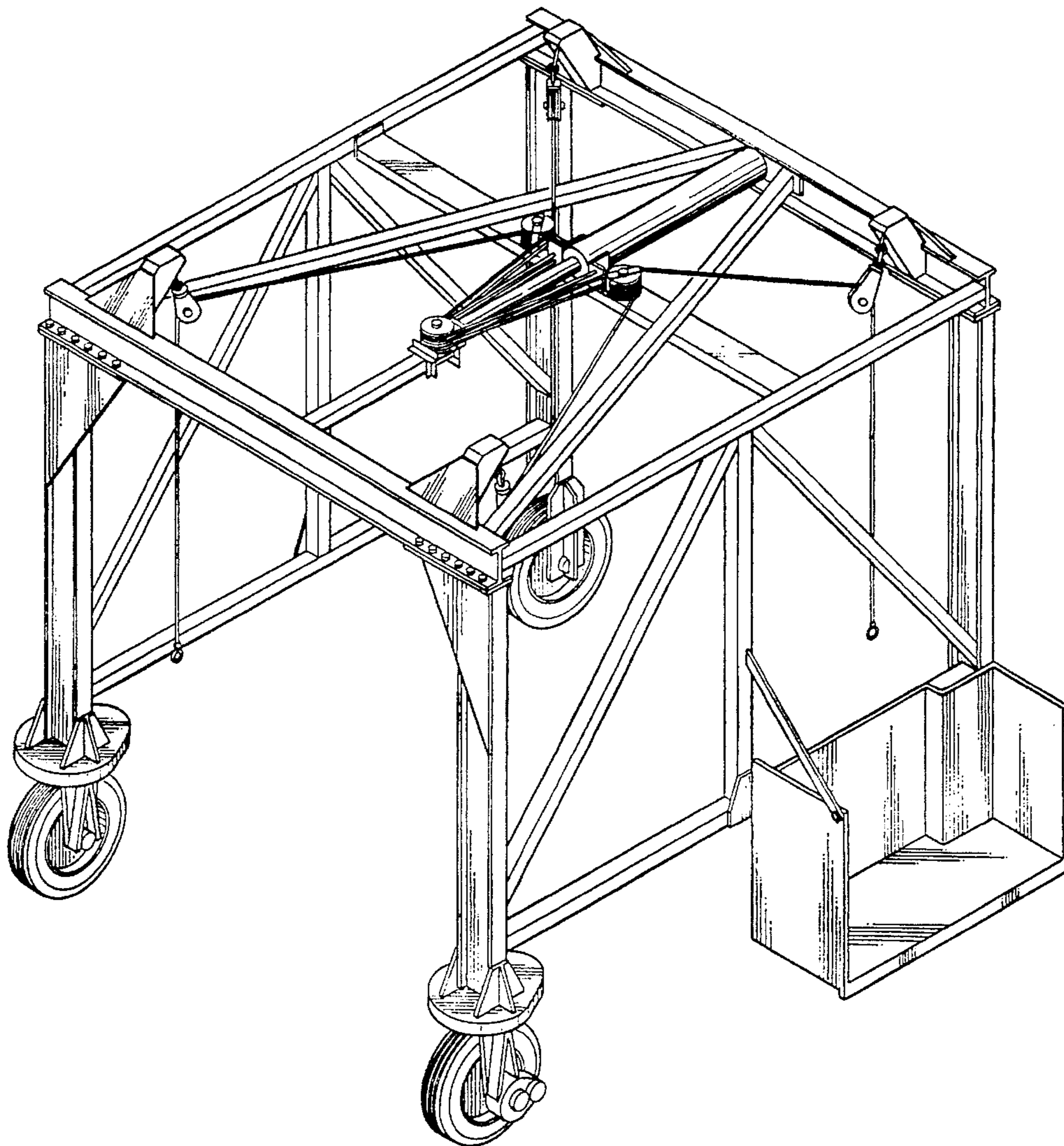
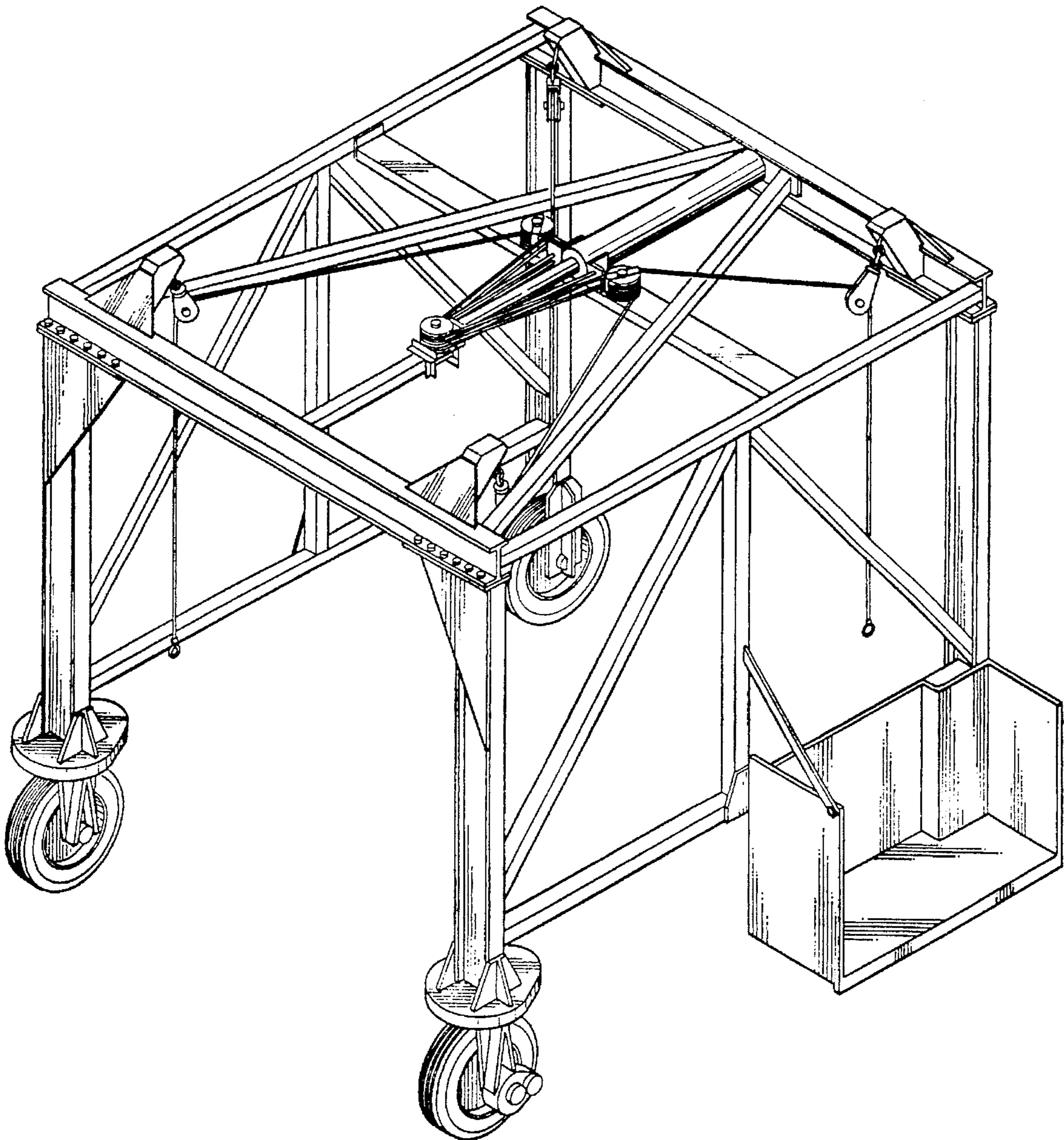


Fig. 1



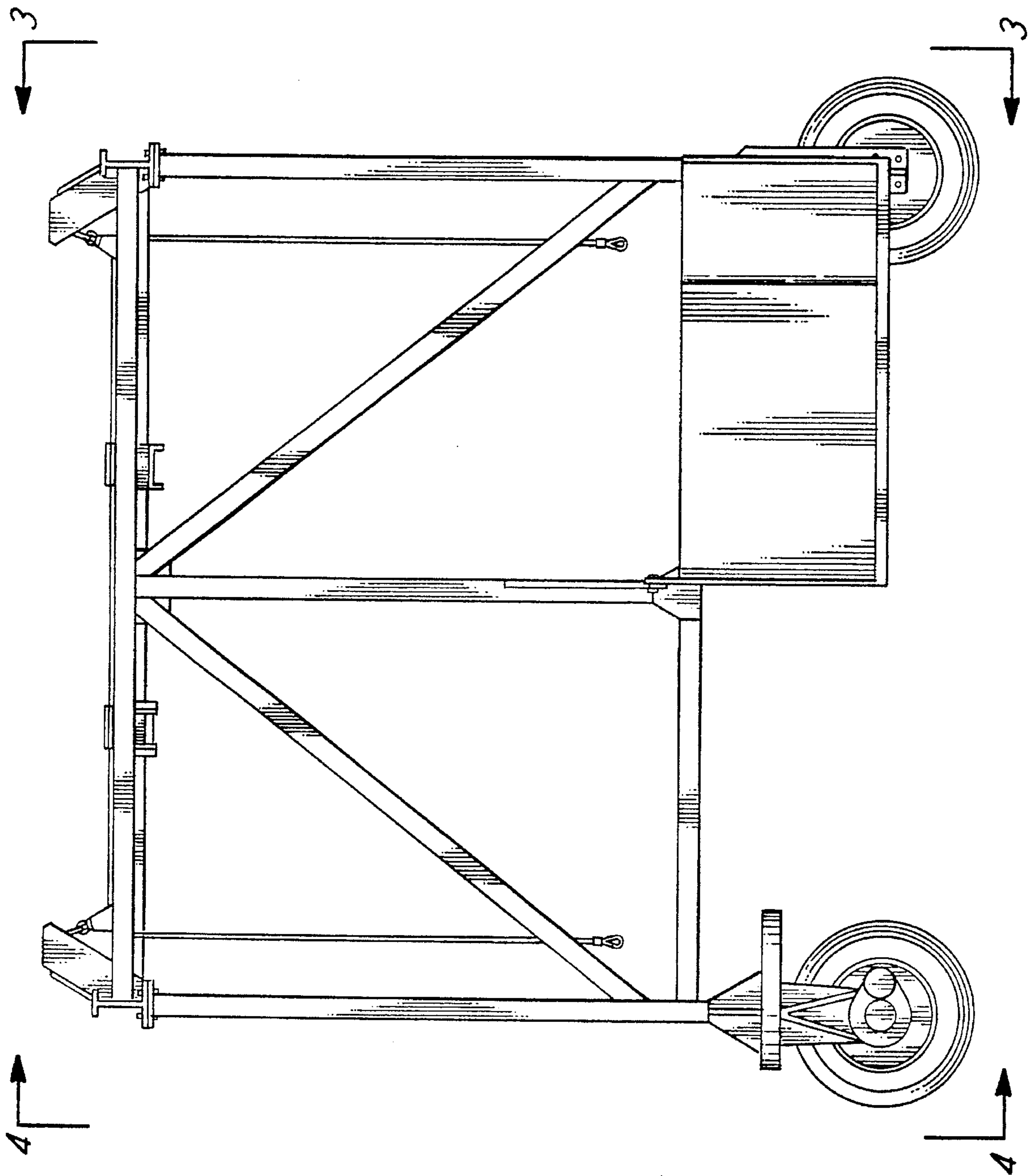


Fig. 2

Fig. 3

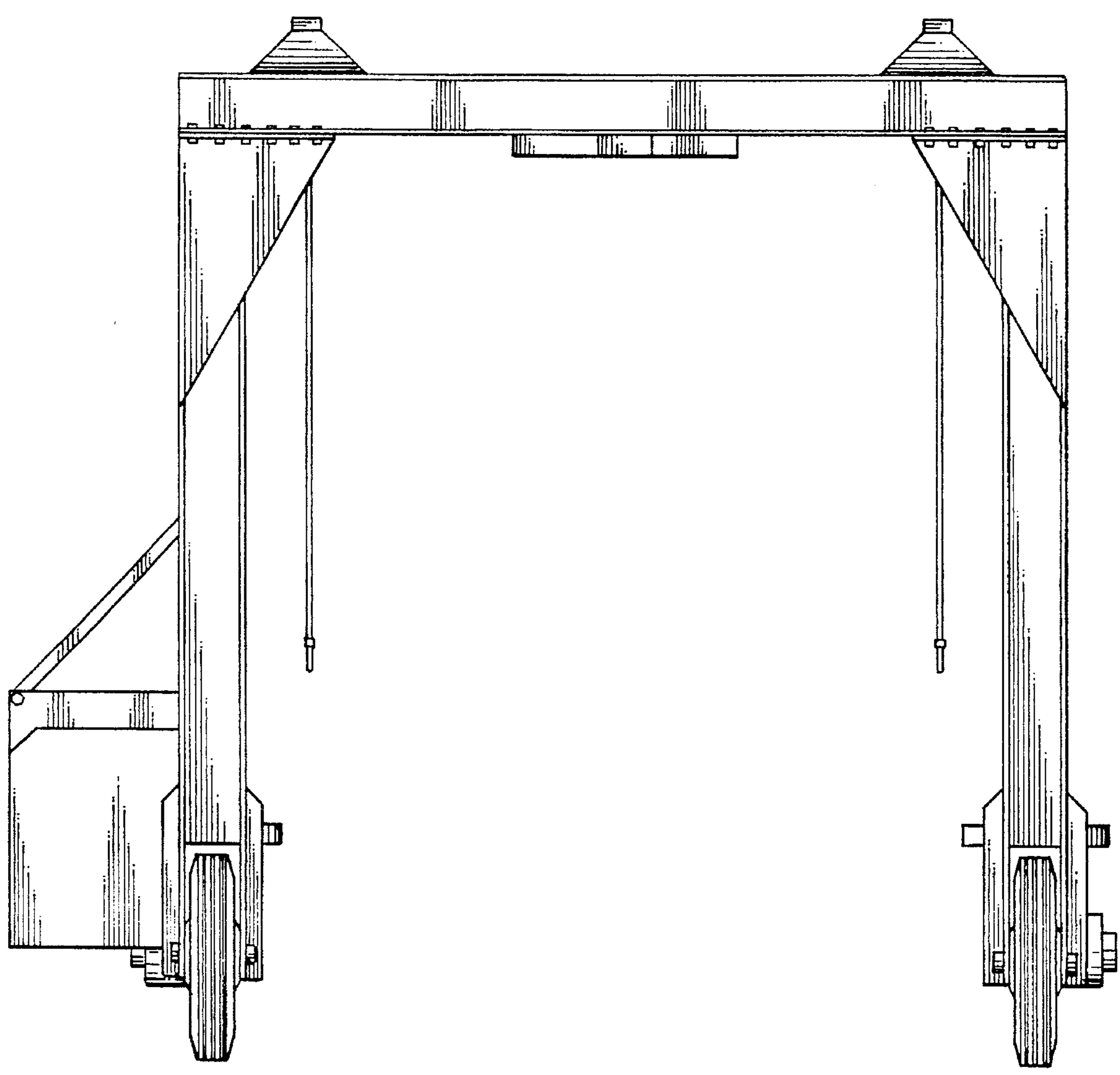
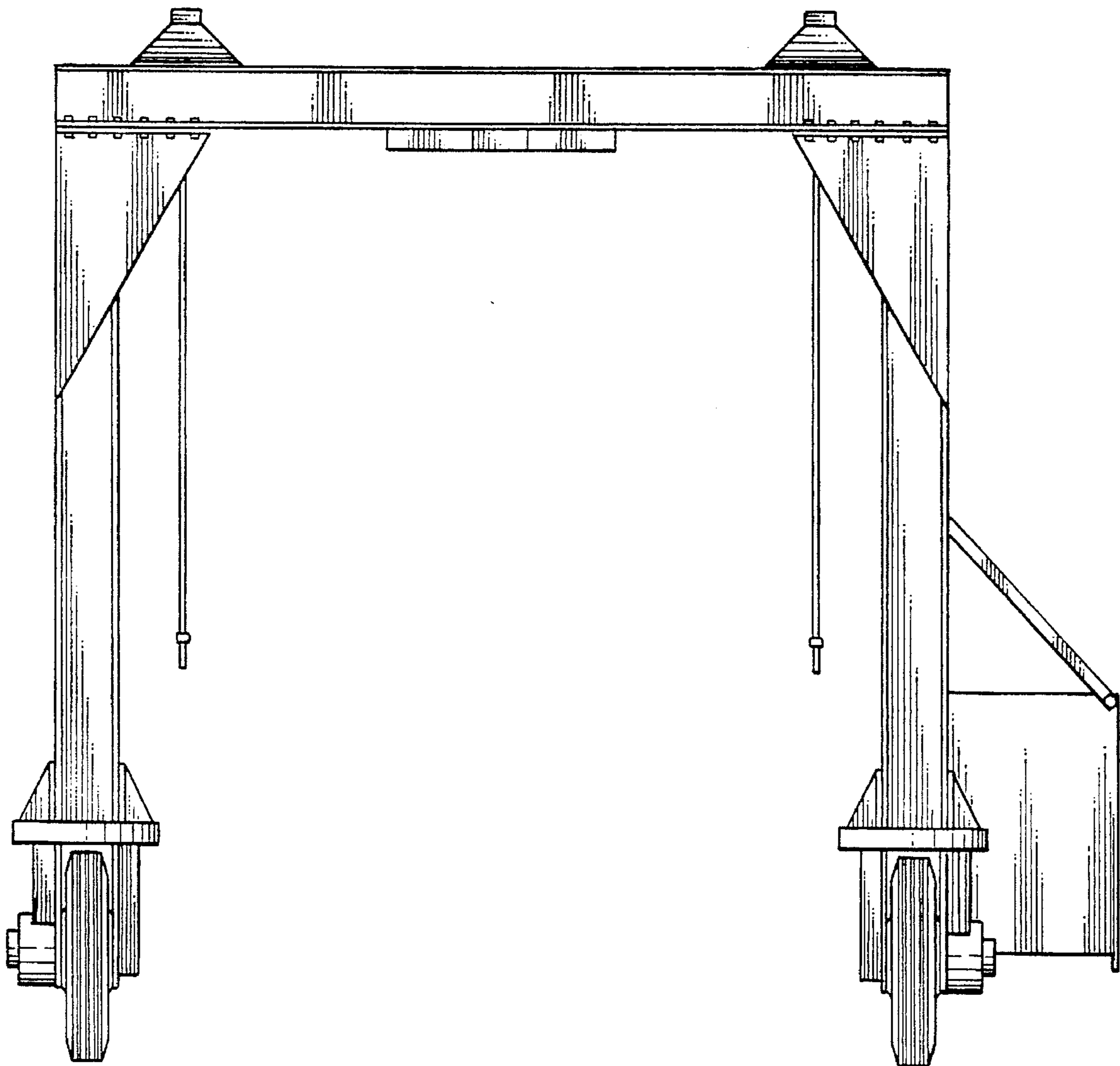


Fig. 4



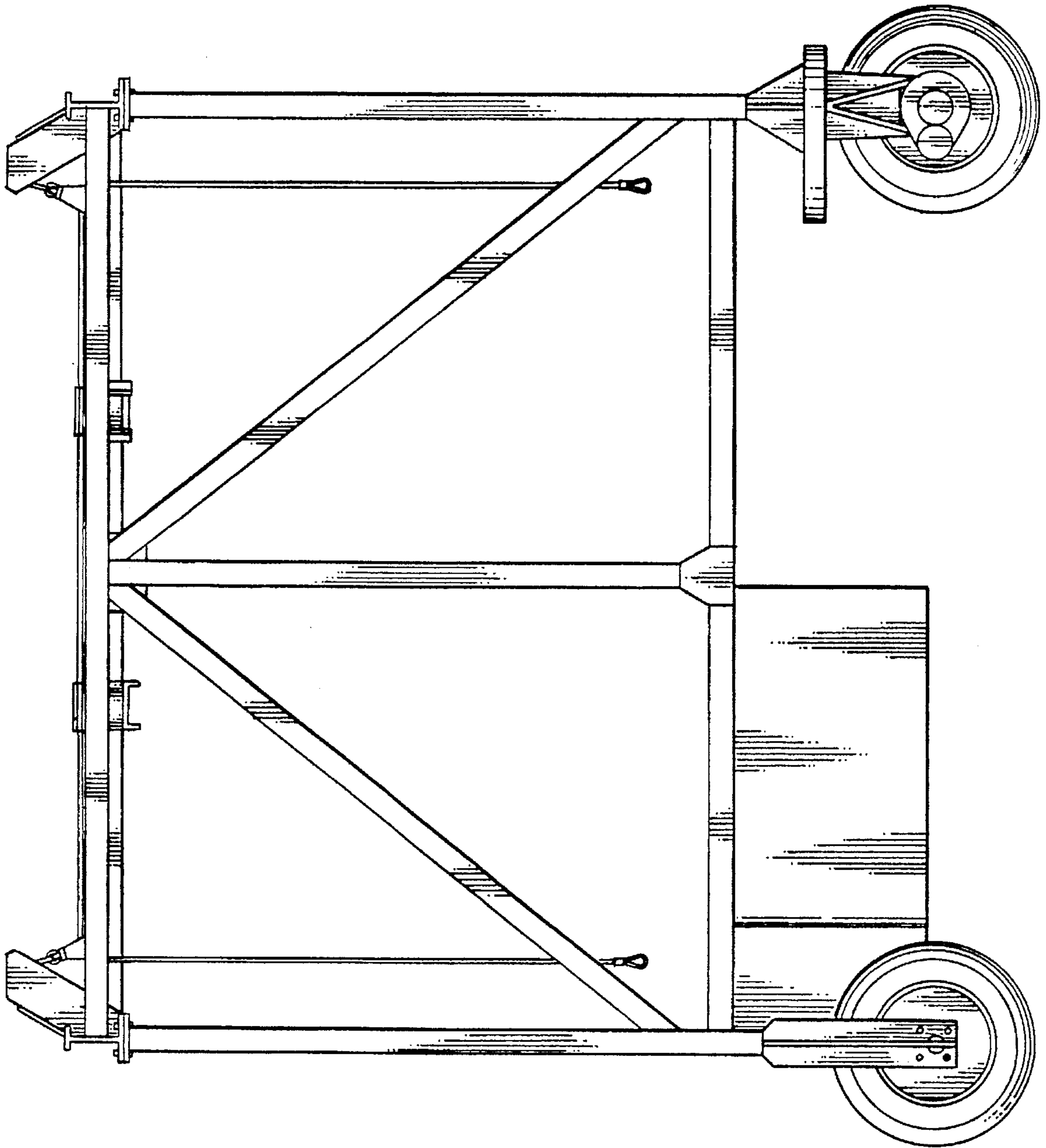


Fig. 5

*Fig. 6*

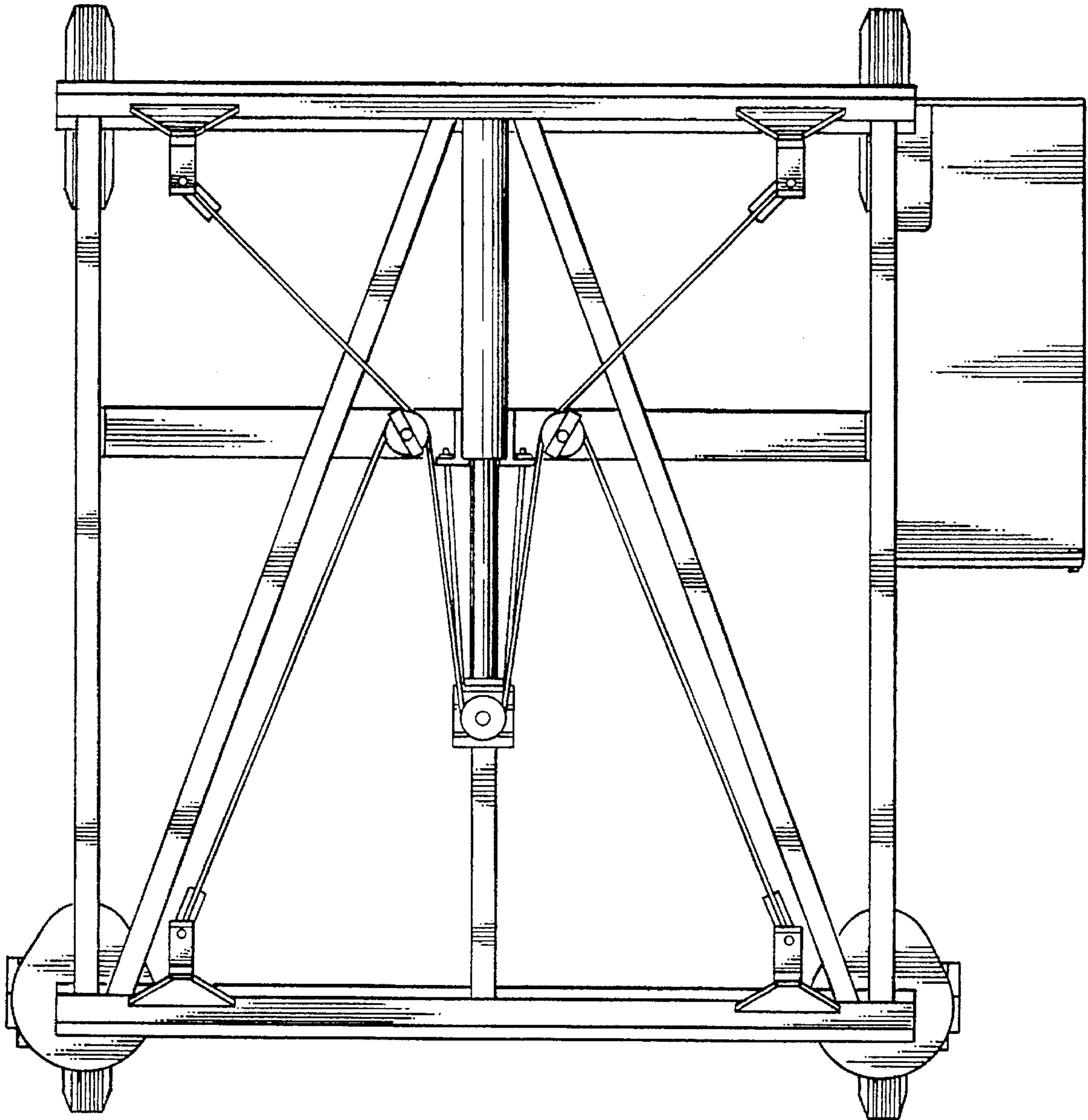


Fig. 7

