



US00D376885S

United States Patent [19]

[11] Patent Number: **Des. 376,885**

Carey et al.

[45] Date of Patent: ****Dec. 24, 1996**

[54] **PORTABLE LIFTING UNIT**

[76] Inventors: **James E. Carey**, 1131 E. Timberidge Dr., Prescott, Ariz. 86303; **Jesse Lackey**, 25101 DeSalle, Laguna Hills, Calif. 92653

[**] Term: **14 Years**

[21] Appl. No.: **37,235**

[22] Filed: **Apr. 7, 1995**

[52] U.S. Cl. **D34/28**

[58] **Field of Search** D34/28, 31, 34; D3/213; D24/190; 414/496, 550, 563, 543, 569; 212/264; 5/81.1, 83.1, 84.1, 87.1, 88.1

[56] **References Cited**

U.S. PATENT DOCUMENTS

D. 241,839	10/1976	Kammeraad	D34/33
D. 285,378	8/1986	Norell	D34/33
D. 341,242	11/1993	Thorby	D34/33
D. 349,996	8/1994	Litwiller	D34/33
1,961,119	5/1934	Ettinger	D34/34 X
2,846,091	8/1958	Heffner	414/550
3,952,893	4/1976	Kolesar	414/543 X
4,484,366	11/1984	Koontz	5/83.1
4,761,842	8/1988	Weiner	5/81.1
5,431,526	7/1995	Peterson et al.	414/543
5,445,487	8/1995	Koscinski, Jr.	414/543

OTHER PUBLICATIONS

Air Technical Industries, Apr. 1993, p. 4, "Foldable Cranes".
Rental Tools & Equipment, 1984, p. 51, 1500 lb Knock-Down Crane.

Primary Examiner—Susan J. Lucas

Assistant Examiner—Cynthia F. Ramirez

Attorney, Agent, or Firm—Harry M. Weiss; Jeffrey D. Moy; Harry M. Weiss & Associates, P.C.

[57] **CLAIM**

The ornamental design for a portable lifting unit, as shown and described.

DESCRIPTION

FIG. 1 is a perspective view of the portable lifting unit to show our new design;

FIG. 2 is a front elevational view of the portable lifting unit depicted in FIG. 1;

FIG. 3 is a bottom view of the portable lifting unit depicted in FIG. 1;

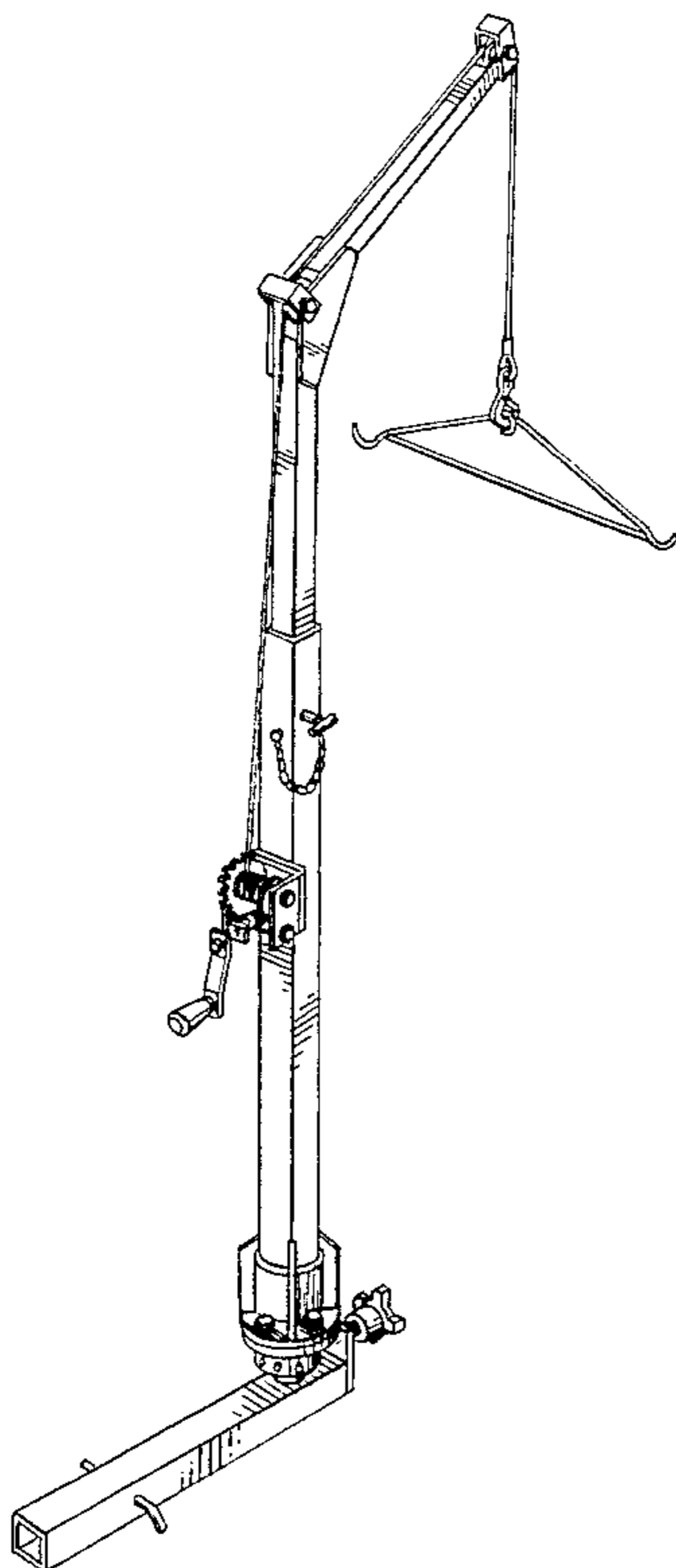
FIG. 4 is a right side elevational view of the portable lifting unit of FIG. 1, the left side elevational view being a mirror image thereof;

FIG. 5 is a back elevational view of the portable lifting unit depicted in FIG. 1 ; and,

FIG. 6 is a top view of the portable lifting unit depicted in FIG. 1.

The hanging lifting bar is shown broken away in FIG. 3 and 6 for convenience of illustration.

1 Claim, 2 Drawing Sheets



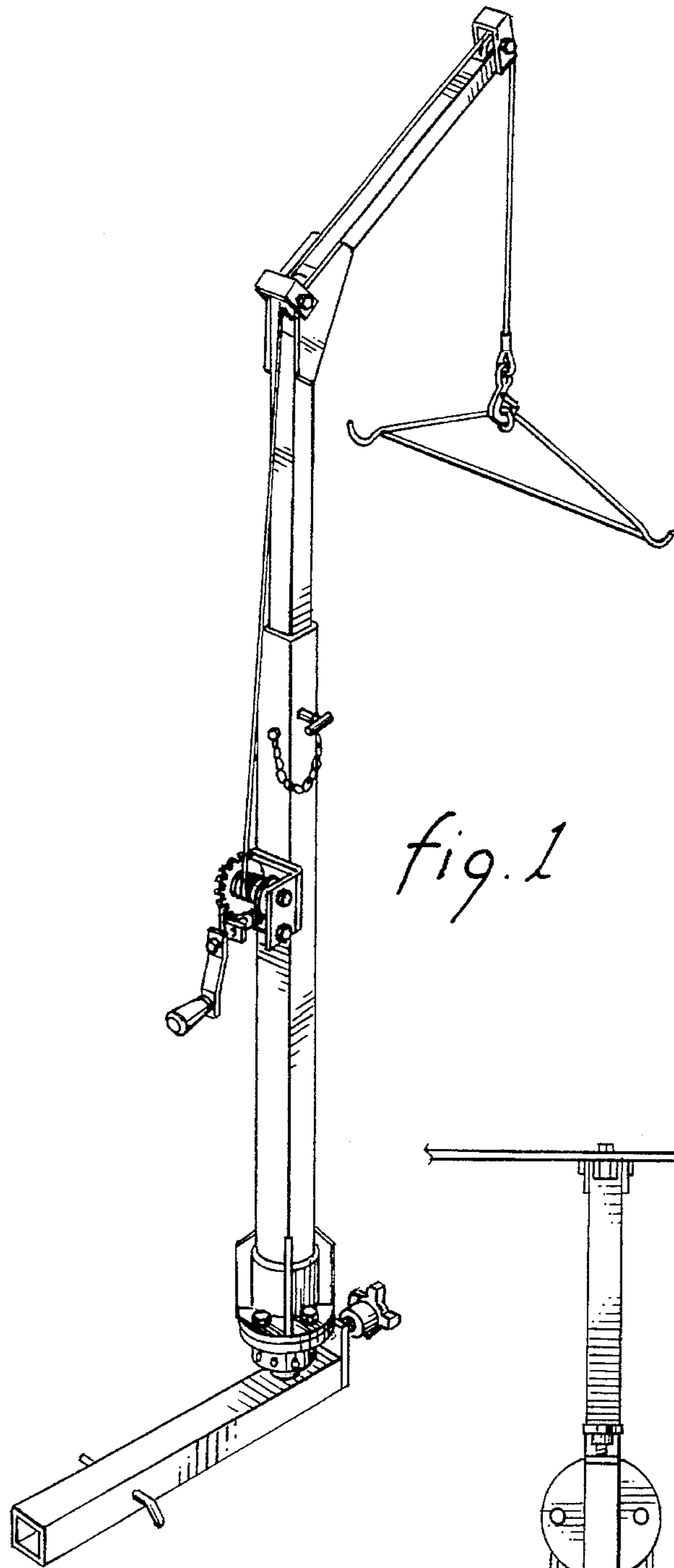


fig. 1

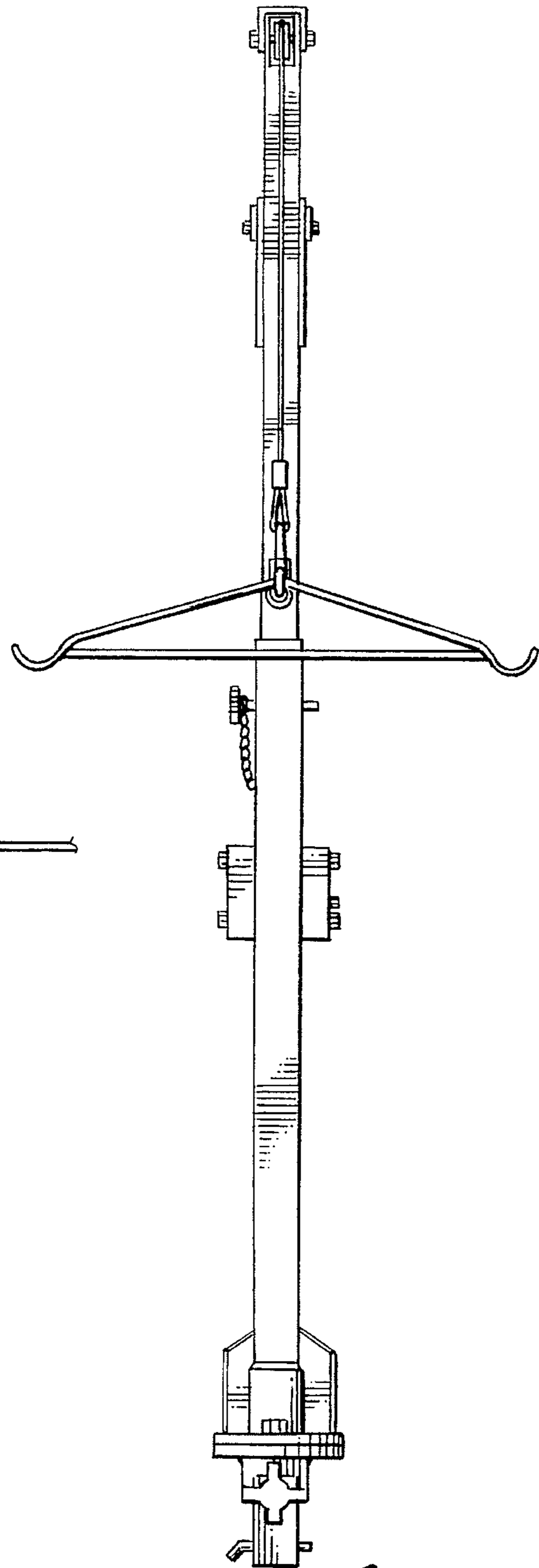


fig. 2

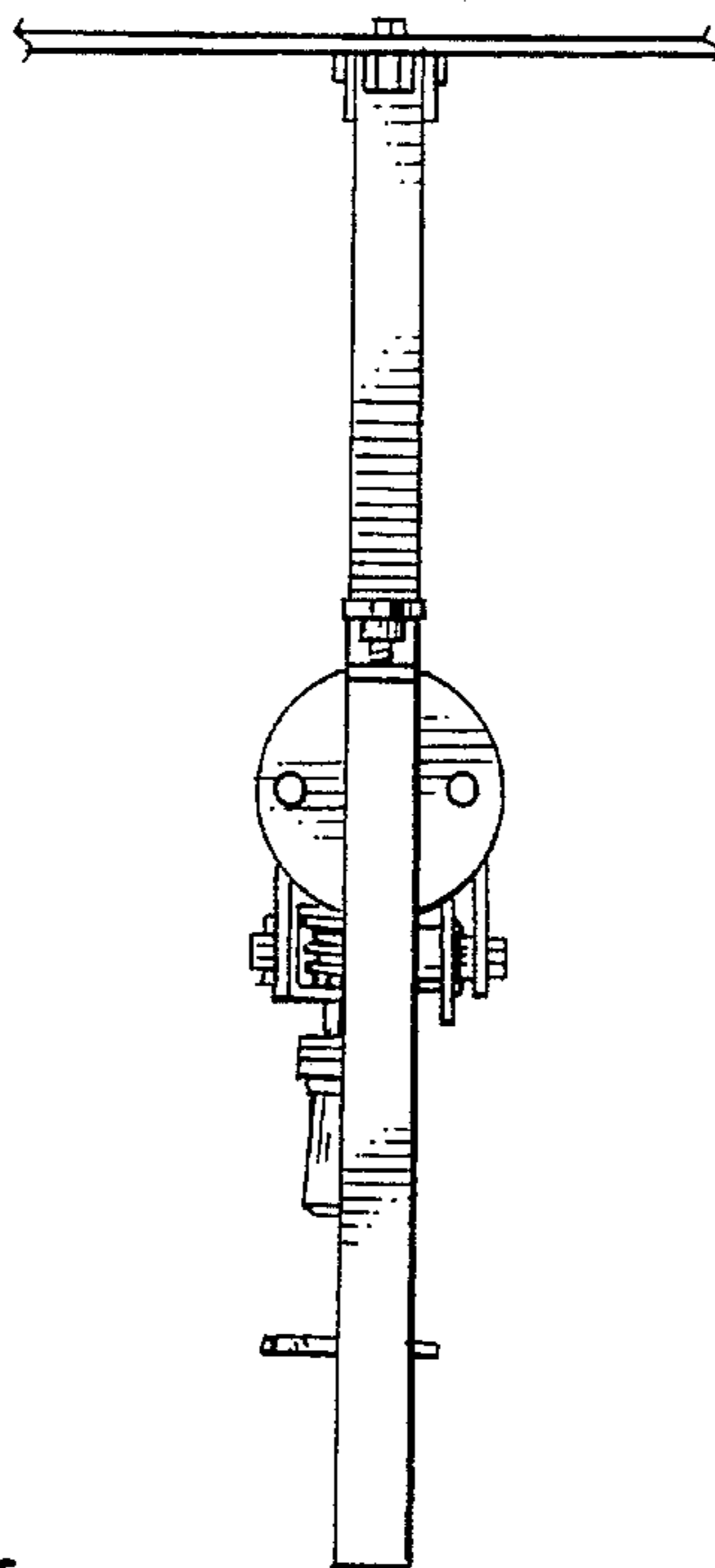


fig. 3

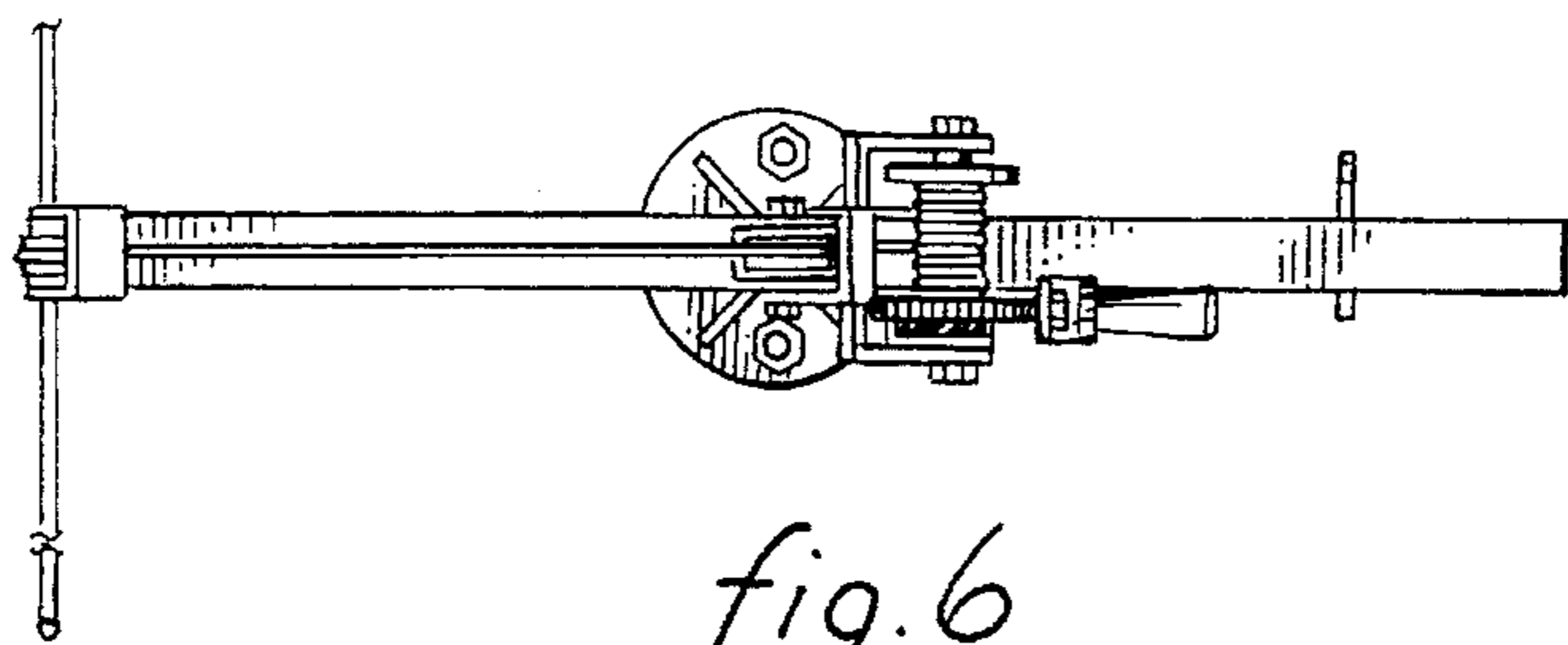


fig. 6

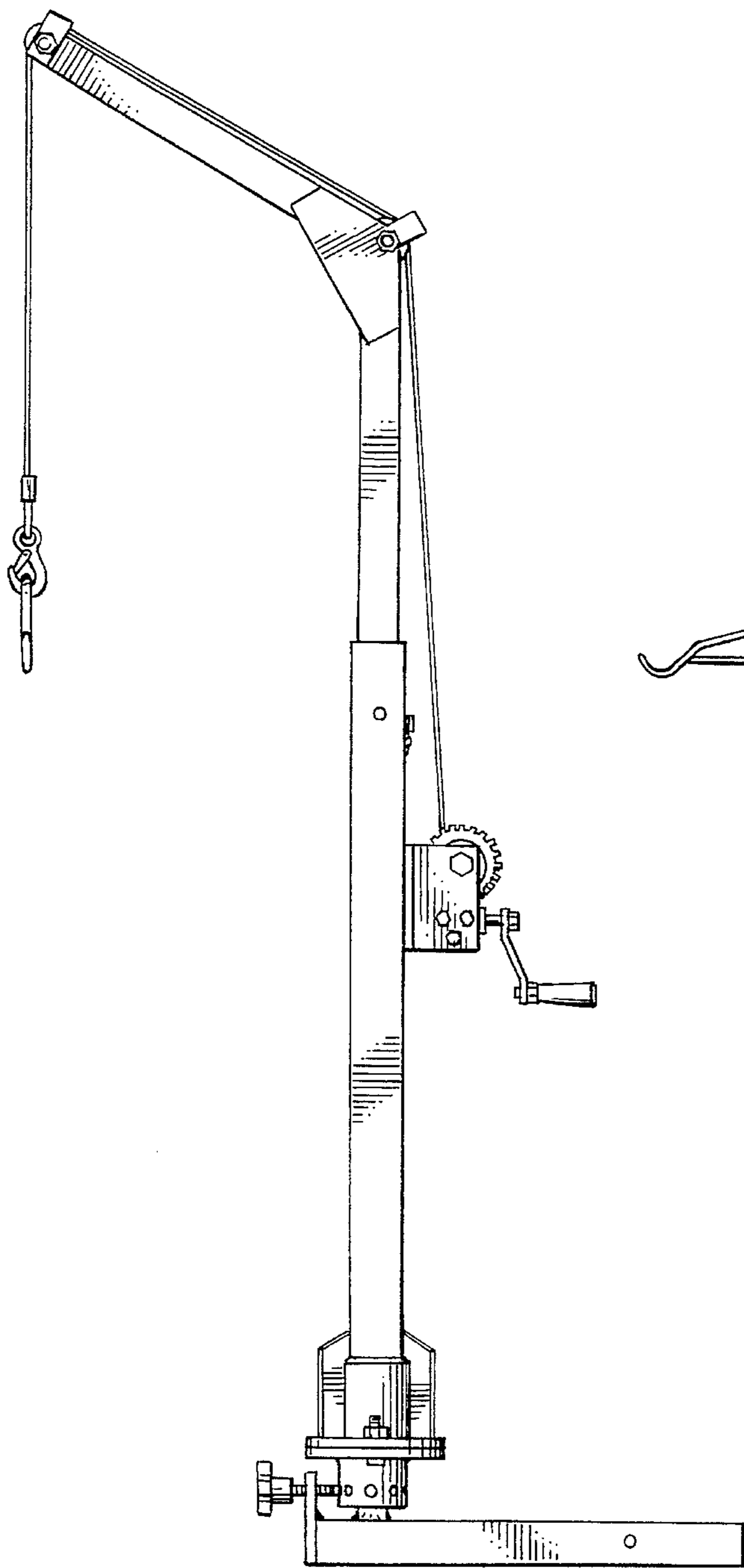


fig. 4

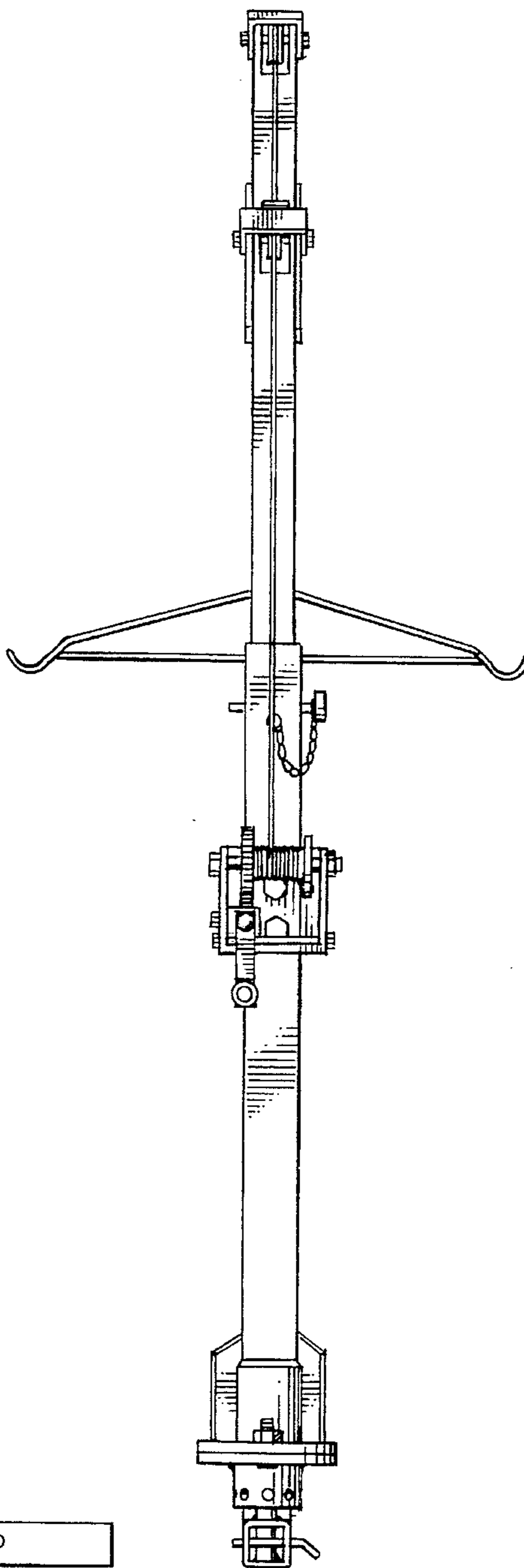


fig. 5