



US00D376884S

United States Patent [19]

Presnell et al.

[11] Patent Number: **Des. 376,884**

[45] Date of Patent: ****Dec. 24, 1996**

[54] **WASTE CONTAINER LID**
[75] Inventors: **Donald C. Presnell; Robert J. Tokash,**
both of Stephens City, Va.

[73] Assignee: **Rubbermaid Commercial Products**
Inc., Winchester, Va.

[**] Term: **14 Years**

[21] Appl. No.: **45,670**

[22] Filed: **Oct. 26, 1995**

[52] U.S. Cl. **D34/11**

[58] Field of Search D34/1, 5-7, 10,
D34/11; 220/908-910, 343, 352, 334-5;
D32/37; D9/435

[56] **References Cited**

U.S. PATENT DOCUMENTS

| | | | | |
|------------|---------|------------------|-------|--------|
| D. 185,927 | 8/1959 | Warren | | D34/11 |
| D. 198,950 | 8/1964 | Hollis | | D58/17 |
| D. 200,882 | 4/1965 | Benjamin | | D58/17 |
| D. 217,498 | 5/1970 | Dilyard | | D49/35 |
| D. 218,359 | 8/1970 | Marsh | | D49/35 |
| D. 233,127 | 10/1974 | Karn | | D7/194 |
| D. 246,566 | 12/1977 | Skiver | | D34/11 |
| D. 247,087 | 1/1978 | Dickinson | | D7/194 |
| D. 253,932 | 1/1980 | Mockler | | D7/194 |
| D. 260,229 | 8/1981 | Maza et al. | | D7/189 |
| D. 261,720 | 11/1981 | Brazis | | D34/9 |
| D. 271,248 | 11/1983 | Maza et al. | | D34/8 |
| D. 276,753 | 12/1984 | Maza et al. | | D34/11 |
| D. 280,459 | 9/1985 | McClelland | | D34/8 |
| D. 280,857 | 10/1985 | Fuller et al. | | D34/11 |
| D. 281,111 | 10/1985 | McClelland | | D34/8 |
| D. 292,638 | 11/1987 | Carville | | D34/5 |
| D. 293,843 | 1/1988 | Kroll et al. | | D34/8 |
| D. 297,875 | 9/1988 | Carville | | D34/11 |
| D. 308,273 | 5/1990 | Hanna | | D34/11 |
| D. 312,523 | 11/1990 | Delmerico et al. | | D34/7 |
| D. 315,626 | 3/1991 | Delmerico et al. | | D34/5 |
| D. 318,354 | 7/1991 | Delmerico | | D34/7 |
| D. 319,128 | 8/1991 | Delmerico | | D34/11 |
| D. 321,576 | 11/1991 | Hradisky | | D34/8 |
| D. 322,350 | 12/1991 | Craft et al. | | D34/9 |
| D. 323,912 | 2/1992 | Delmerico | | D34/5 |

| | | | | |
|------------|--------|----------------|-------|-------|
| D. 323,914 | 2/1992 | Doxey et al. | | D34/5 |
| D. 324,594 | 3/1992 | Tocci et al. | | D34/1 |
| D. 324,933 | 3/1992 | Giacobe et al. | | D34/7 |
| D. 326,342 | 5/1992 | Doxey et al. | | D34/7 |

(List continued on next page.)

OTHER PUBLICATIONS

Sell sheet, Refuse container lid; Tamor Plastics Corp., Leominster, Massachusetts 01453. Publication date Jan., 1992.

Sell sheet, Wastebasket lid; Sterilite Corporation, P.O. Box 524, Main Street, Townsend, Massachusetts. Publication date Jan., 1990.

Sell sheet, Wastebasket lid; Sterilite Corporation, P. O. Box 524, Main Street, Townsend, Massachusetts. Publication date 1992.

Sell sheet, Wastebasket lid; Sterilite Corporation, P. O. Box 524, Main Street, Townsend, Massachusetts. Publication date 1991.

Sell sheet, Wastebasket lid; Sterilite Corporation, P. O. Box 524, Main Street, Townsend, Massachusetts. Publication date 1991.

(List continued on next page.)

Primary Examiner—A. Hugo Word

Assistant Examiner—Robin V. Taylor

Attorney, Agent, or Firm—Richard B. O'Planick; Lisa B. Riedesel

[57] **CLAIM**

The ornamental design for a waste container lid, as shown and described.

DESCRIPTION

FIG. 1 is a top right front perspective view of a waste container lid showing our new design;

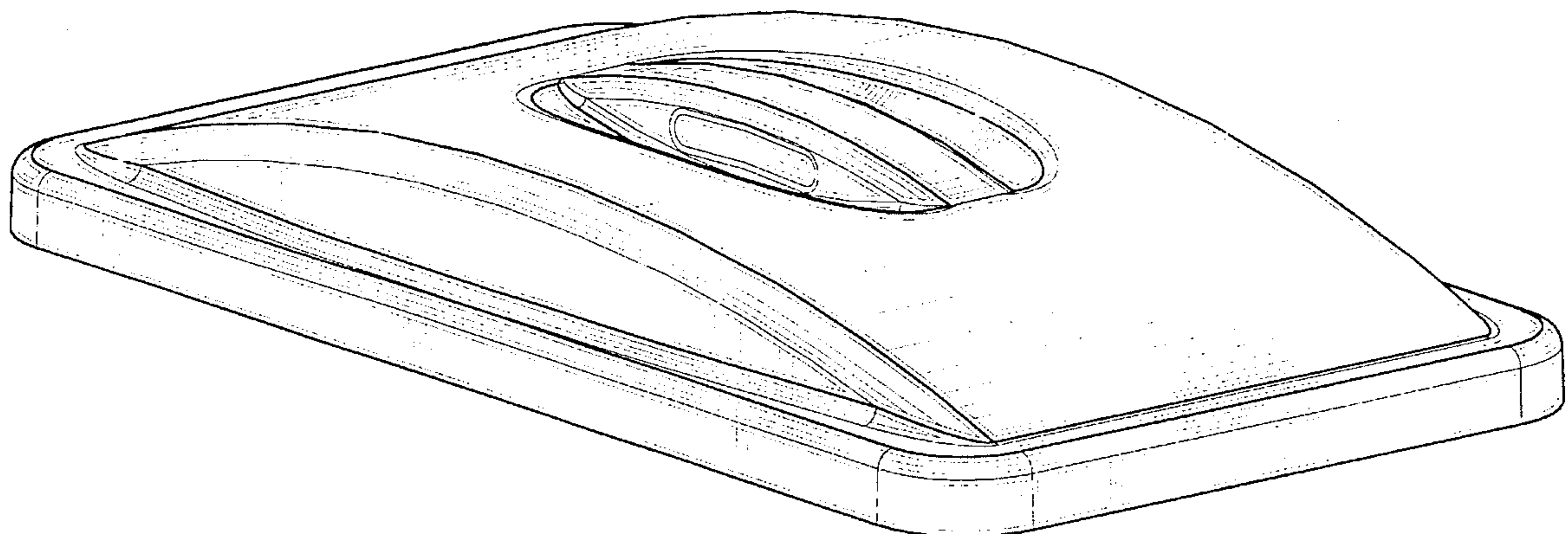
FIG. 2 is a top plan view thereof;

FIG. 3 is a front elevational view thereof, the rear elevational view being a mirror image; and,

FIG. 4 is a right side elevational view thereof, the left side elevational view being a mirror image.

The undisclosed bottom is plain and unornamented.

1 Claim, 4 Drawing Sheets



U.S. PATENT DOCUMENTS

| | | | |
|------------|---------|-----------------------|----------|
| D. 326,343 | 5/1992 | Hradisky | D34/7 |
| D. 326,754 | 6/1992 | Hradisky | D34/7 |
| D. 327,349 | 6/1992 | Juergens | D34/11 |
| D. 327,756 | 7/1992 | Klein et al. | D34/1 |
| D. 328,170 | 7/1992 | Juergens | D34/11 |
| D. 329,930 | 9/1992 | Delmerico et al. | D34/7 |
| D. 331,134 | 11/1992 | Hradisky | D34/11 |
| D. 332,852 | 1/1993 | Delmerico | D34/9 |
| D. 333,199 | 2/1993 | Long | D34/11 |
| D. 333,716 | 3/1993 | Bird et al. | D34/8 |
| D. 342,817 | 12/1993 | Lippisch et al. | D34/7 |
| D. 343,267 | 1/1994 | Craft et al. | D34/11 |
| D. 351,704 | 10/1994 | Breen | D34/11 |
| D. 351,705 | 10/1994 | Bird et al. | D34/11 |
| D. 351,706 | 10/1994 | Breen | D34/11 |
| D. 355,741 | 2/1995 | Craft et al. | D34/5 |
| D. 355,744 | 2/1995 | Licari | D34/7 |
| D. 358,326 | 5/1995 | Tomasello | D9/424 |
| D. 365,901 | 1/1996 | Kowalski et al. | D34/11 |
| 3,083,859 | 4/1963 | Gardiner | 220/30 |
| 4,819,827 | 4/1989 | DiSesa | 220/318 |
| 4,907,710 | 3/1990 | Bulkens | 200/1 |
| 4,972,966 | 11/1990 | Craft | 220/264 |
| 5,071,024 | 10/1991 | Delmerico | 220/335 |
| 5,129,535 | 7/1992 | Hradisky | 220/23.4 |

OTHER PUBLICATIONS

Sell sheet, Wastebasket lid; Sterilite Corporation, P. O. Box 524, Main Street, Townsend, Massachusetts. Publication date 1991.

Pp. 5 and 7, Waste container lids; Continental Manufacturing Company, A Division of Contico International Inc., 123 Byassee Drive, Hazelwood, Missouri 63042. Published at least as early as Oct., 1994.

Catalog page, Waste container lids; Tucker Housewares, A Mobil Company, 25 Tucker Drive, Leominster, Massachusetts 01453. Publication date 1992.

Pp. 6 and 7, Trash container lids; Tucker Housewares, A Mobil Company, 25 Tucker Drive, Leominster, Massachusetts 01453. Publication date Aug., 1994.

Price list, Trash container lids; Contico Manufacturing Company, 1101 Warson Road, St. Louis, Missouri 63132. Publication date Aug. 1, 1986.

Price list, Trash container lids; Contico Manufacturing Company, 1101 Warson Road, St. Louis, Missouri 63132. Publication date Aug. 1, 1986.

P. 67, Trash container lids; Iwasaki Industry Inc., No. 26, Showa Kogyo Danchi, 1216-5, Nukatabe Kita-machi, Yamato-Koriyama, Nara, 639-11 Japan. Publication date 1990-91.

P. 14, Waste container lids; Rubbermaid Commercial Products Inc., 3124 Valley Avenue, Winchester, Virginia 22601. Publication date 1992.

Sell sheet, Trash container lids; Rubbermaid Incorporated, 1147 Akron Road, Wooster, Ohio 44691. Publication date 1993.

P. 28, Trash container lids; Rubbermaid Incorporated, 1147 Akron Road, Wooster, Ohio 44691. Publication date 1990.

Brochure page, Trash container lids; Schlosser & Co. GmbH, Industriestr. 22, 8062 Markt Indersdorf. Published at least as early as Dec., 1995.

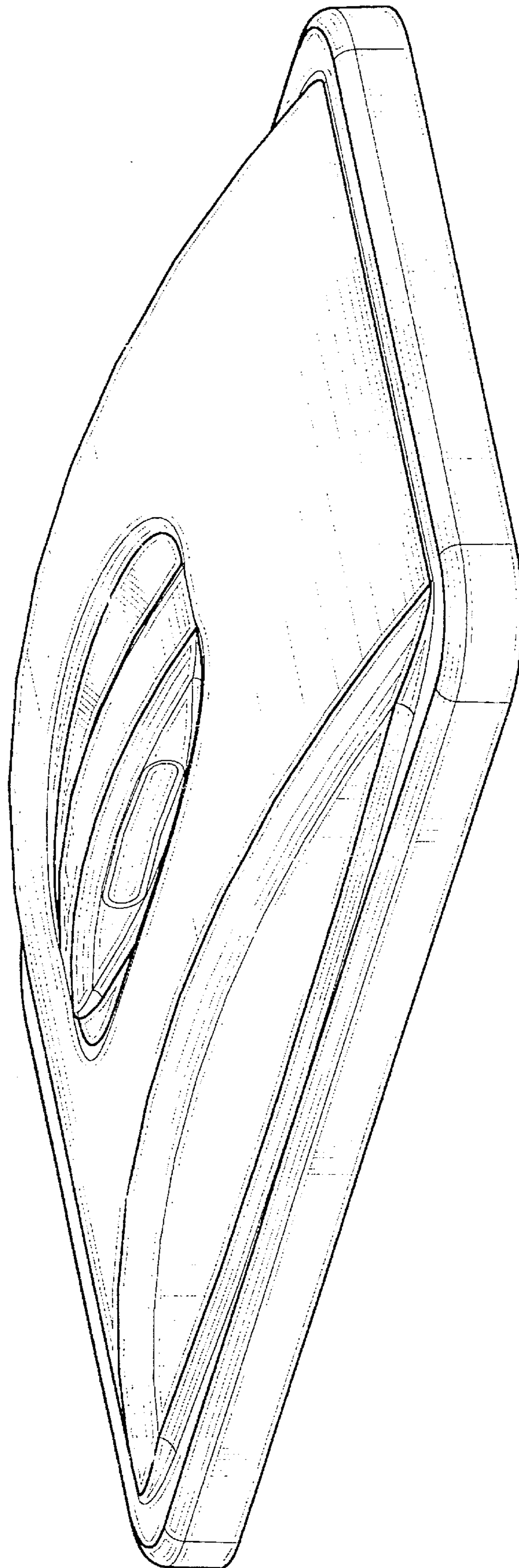


FIG. 1

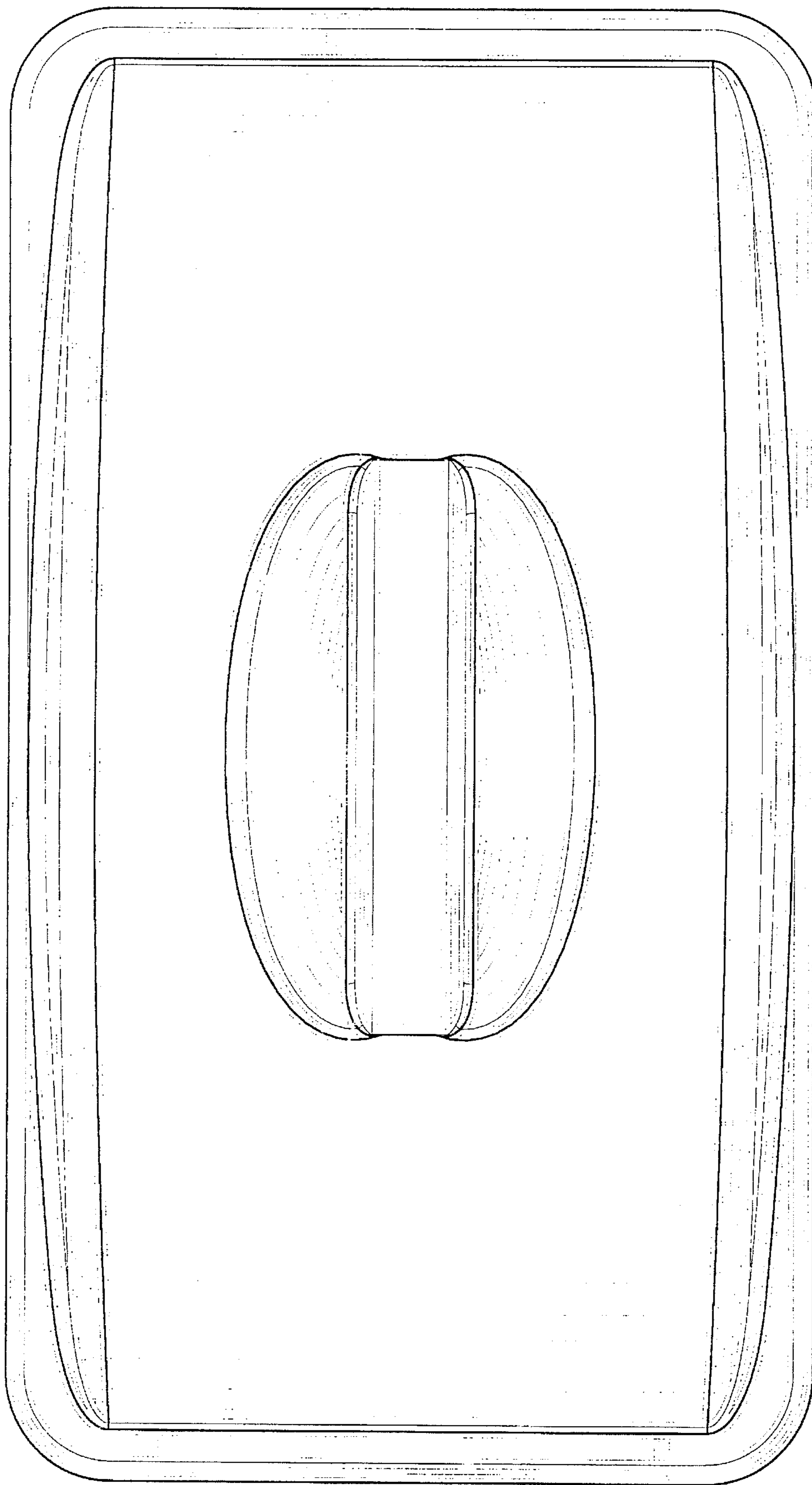


FIG. 2

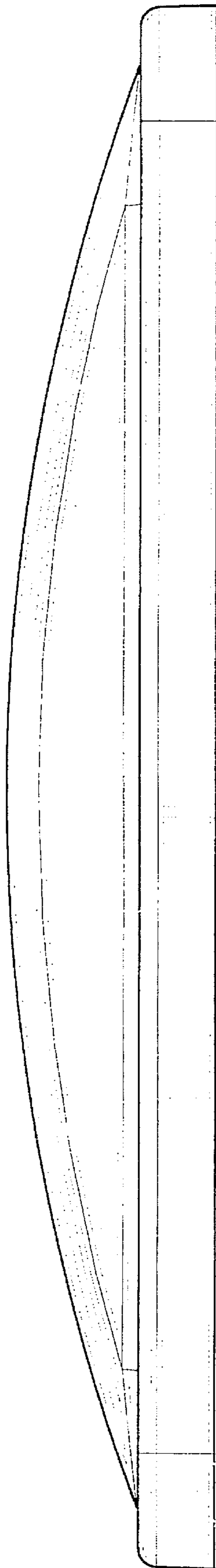


FIG. 3

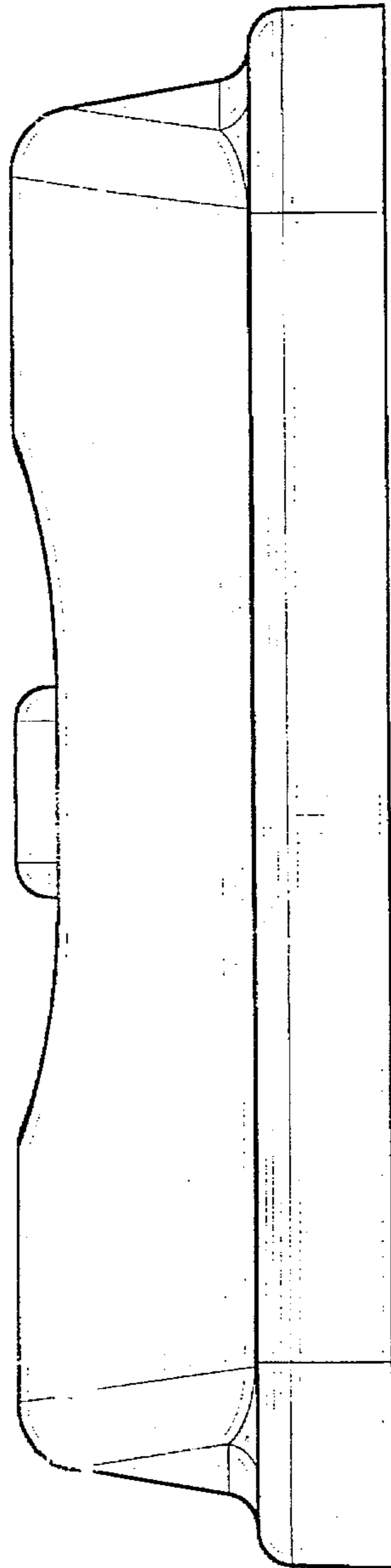


FIG. 4