



US00D376879S

United States Patent [19]

Selewski et al.

[11] Patent Number: **Des. 376,879**

[45] Date of Patent: ****Dec. 24, 1996**

[54] **HOUSING DESIGN FOR A POWER NOZZLE**

[75] Inventors: **Steven R. Selewski**, Cadillac; **John J. Alberts, III**, Marion; **Dean R. Rohn**, Cadillac; **Todd C. Cote**, Cadillac; **Roy O. Erickson, Jr.**, Cadillac, all of Mich.; **Roger H. Ramsey**, Akron, Ohio; **Robert G. Martinez**, Akron, Ohio; **Dennis M. Futo**, Strongsville, Ohio

[73] Assignee: **Rexair, Inc.**, Troy, Mich.

[**] Term: **14 Years**

[21] Appl. No.: **25,696**

[22] Filed: **Jul. 8, 1994**

Related U.S. Application Data

[63] Continuation-in-part of Ser. No. 146,656, Nov. 2, 1993, abandoned.

[52] **U.S. Cl.** **D32/32**

[58] **Field of Search** **D32/32, 31, 33, D32/34, 21-22, 25; 15/415.1-416, 320-322, 418-422.1, 350-351, 354-355, 378**

[56] References Cited

U.S. PATENT DOCUMENTS

- D. 120,726 5/1940 Dreyfuss D32/22
- D. 193,173 7/1962 Daher D32/22
- D. 230,345 12/1974 Brown et al. .
- D. 238,139 12/1975 Goodrich .
- D. 248,476 7/1978 Haynes .
- D. 249,349 9/1978 Wareham .
- D. 252,332 7/1979 Schaefer .
- D. 253,054 10/1979 Stevens et al. D32/33
- D. 257,255 10/1980 Robinson .
- D. 257,256 10/1980 Robinson .
- D. 262,708 1/1982 Essex .
- D. 263,052 2/1982 Ueda .
- D. 263,236 3/1982 Ueda .
- D. 269,558 6/1983 Essex .
- D. 277,792 2/1985 Hoesch .
- D. 293,728 1/1988 Ohhira et al. .
- D. 298,876 12/1988 Yamamoto et al. .
- D. 312,338 11/1990 Hagstrand .

- D. 312,518 11/1990 Schick .
- D. 314,072 1/1991 Shinozaki et al. .
- D. 326,006 5/1992 Moine .
- D. 331,991 12/1992 Wright et al. D32/32
- D. 333,892 3/1993 Wareham .
- D. 338,990 8/1993 McKnight D32/32
- D. 343,483 1/1994 Hoshino D32/31
- D. 347,305 5/1994 Rohn et al. .
- D. 349,371 8/1994 Furcron et al. D32/32
- D. 352,809 11/1994 Reath D32/31
- D. 355,285 2/1995 Lawrence et al. D32/32
- D. 358,242 5/1995 McKnight D32/32
- 2,266,075 12/1941 Replogle .
- 3,120,021 2/1964 Pauler et al. .
- 3,614,705 10/1971 Descarries et al. .
- 3,633,241 1/1972 Schmitz et al. .
- 3,727,263 4/1973 Johansson .
- 3,768,114 10/1973 Schwartz .
- 3,798,704 3/1974 Kilstrom et al. .
- 3,815,170 6/1974 Brooks et al. .
- 3,815,171 6/1974 Carr et al. .
- 3,871,051 3/1975 Collier .
- 3,872,530 3/1975 Festerling .

(List continued on next page.)

Primary Examiner—B. J. Bullock
Assistant Examiner—Stacia Sinuik
Attorney, Agent, or Firm—Harness, Dickey & Pierce, P.L.C.

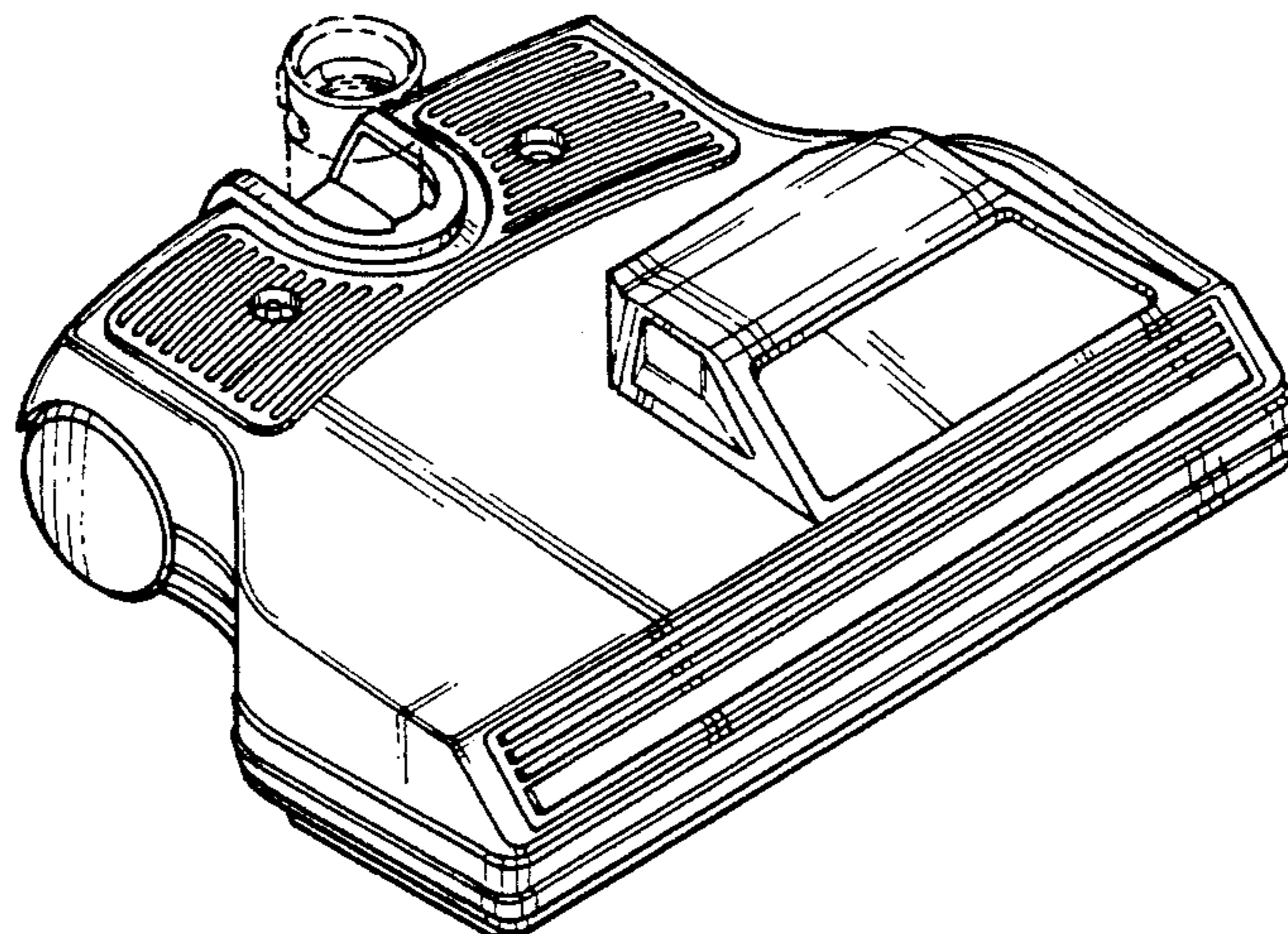
[57] CLAIM

The ornamental design for a housing design for a power nozzle, as shown and described.

DESCRIPTION

FIG. 1 is a perspective view of the housing design of the present invention;
FIG. 2 is a top view of the housing design of FIG. 1;
FIG. 3 is a front view of the housing design of FIG. 1;
FIG. 4 is a rear view of the housing design of FIG. 1;
FIG. 5 is a right side view of the housing design of FIG. 1; and,
FIG. 6 is a left side view of the housing design of FIG. 1. The broken line showing of the environmental structure is for illustrative purposes only and forms no part of the claim designed.

1 Claim, 2 Drawing Sheets



U.S. PATENT DOCUMENTS

3,894,308	7/1975	Carr .	4,336,628	6/1982	Bradshaw et al. .
3,913,168	10/1975	Lovgren .	4,351,083	9/1982	Simonsson .
3,916,476	11/1975	Johnson et al. .	4,364,146	12/1982	Bowerman .
3,942,219	3/1976	Johnson .	4,375,117	3/1983	Lyman .
3,961,647	6/1976	Doubleday .	4,454,627	6/1984	Simm et al. .
4,020,526	5/1977	Johansson .	4,611,365	9/1986	Komatsu et al. .
4,052,767	10/1977	Dutcher .	4,688,294	8/1987	Simonsson .
4,091,496	5/1978	Desrosiers et al. .	4,701,975	10/1987	Hampton et al. .
4,100,644	7/1978	Johansson .	4,831,686	5/1989	Simonsson .
4,167,801	9/1979	Erbor et al. .	4,942,641	7/1990	Gerke, Jr. et al. .
4,199,839	4/1980	Martinec .	4,953,253	9/1990	Fukuda et al. .
4,204,297	5/1980	Yasunaga et al. .	4,996,737	3/1991	Madru, Sr. .

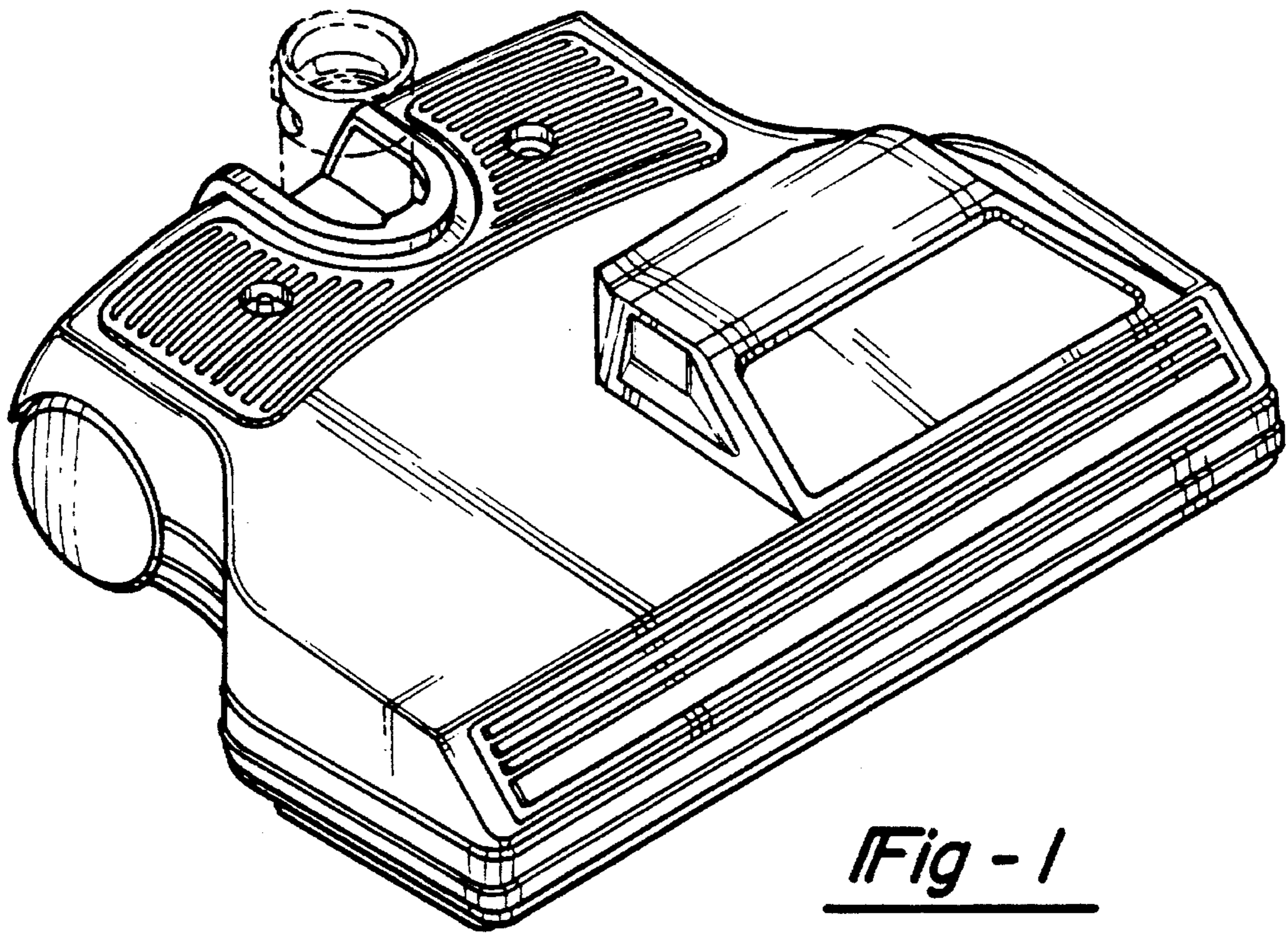
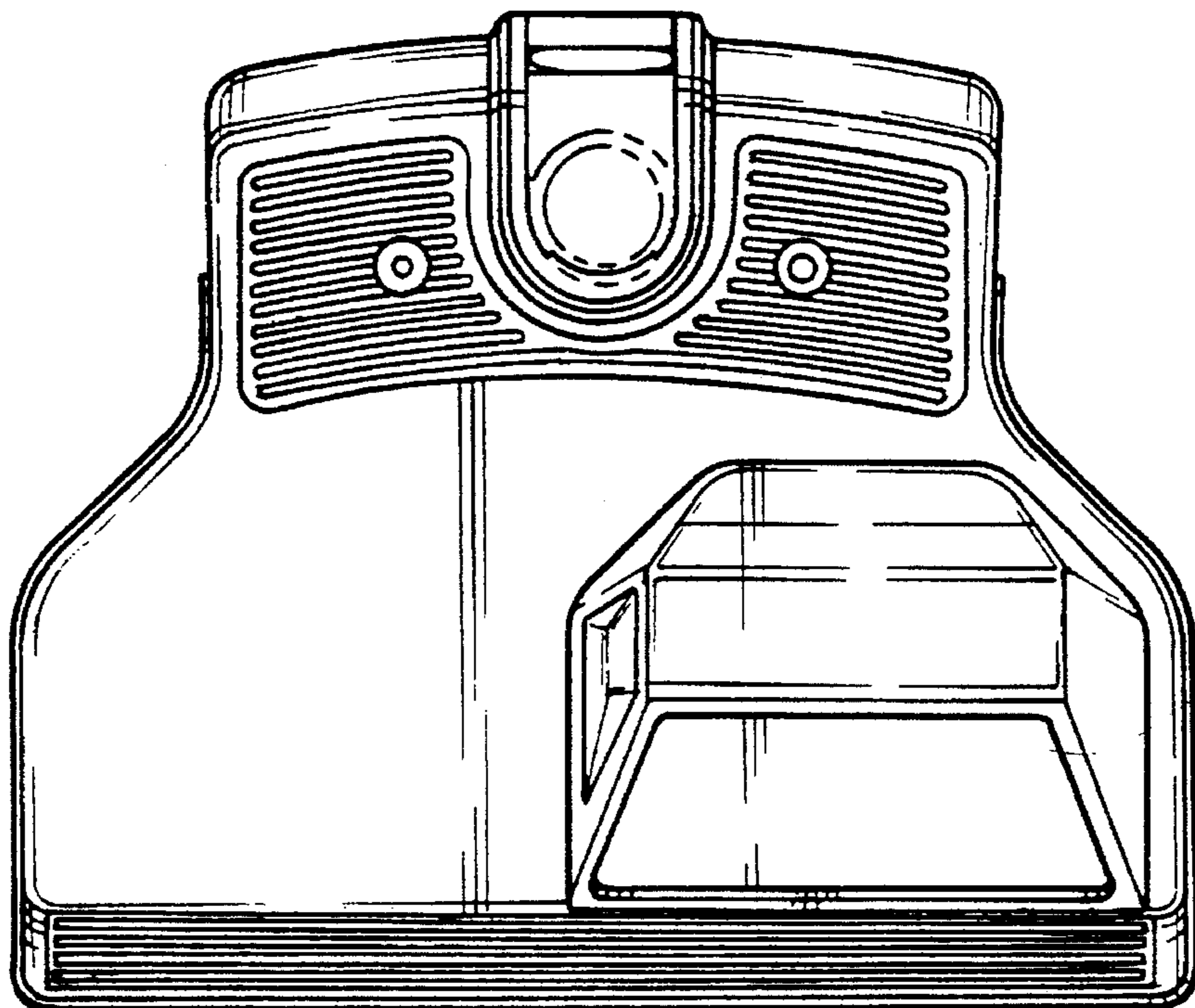


Fig - 1

Fig - 2



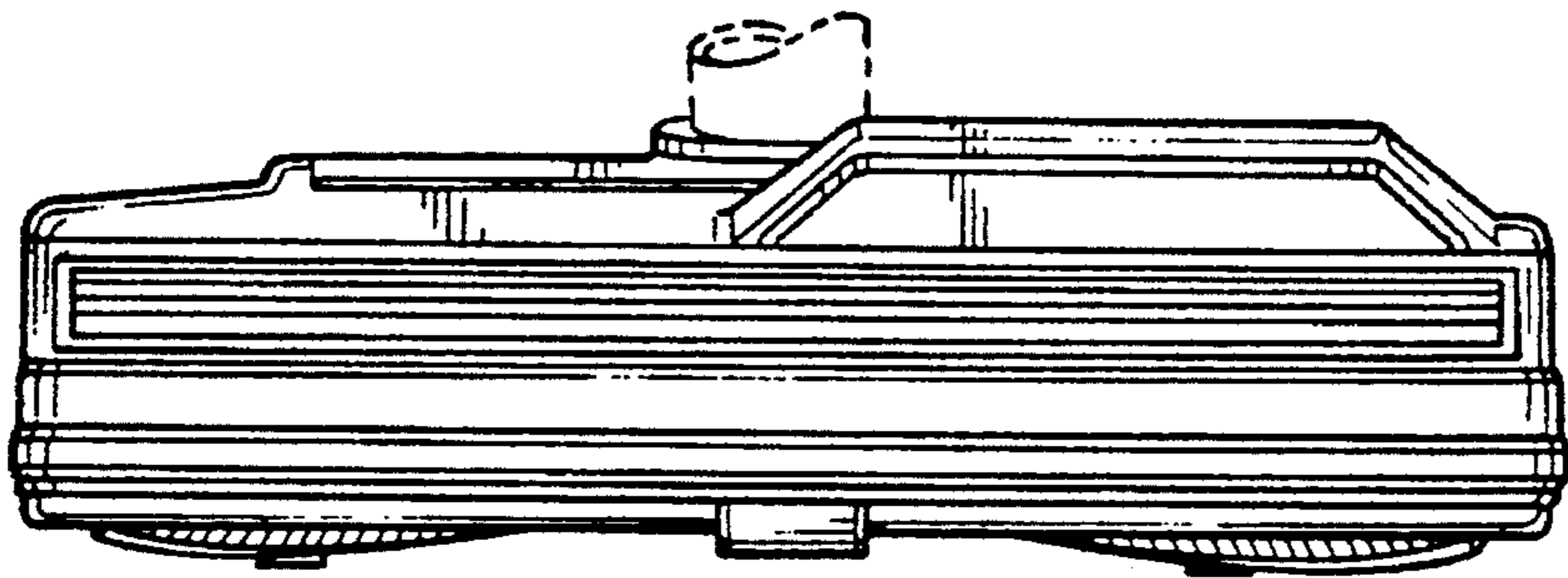


Fig - 3

Fig - 4

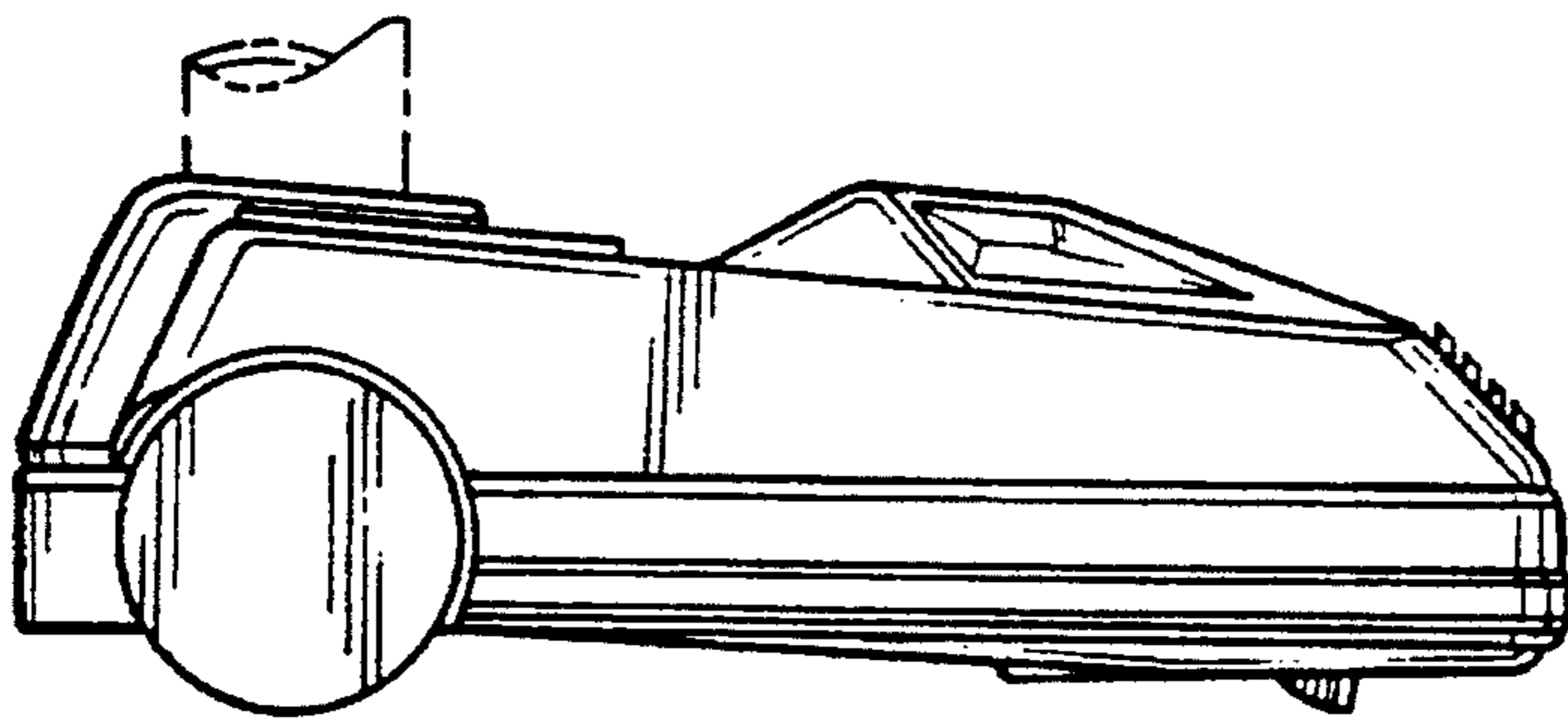
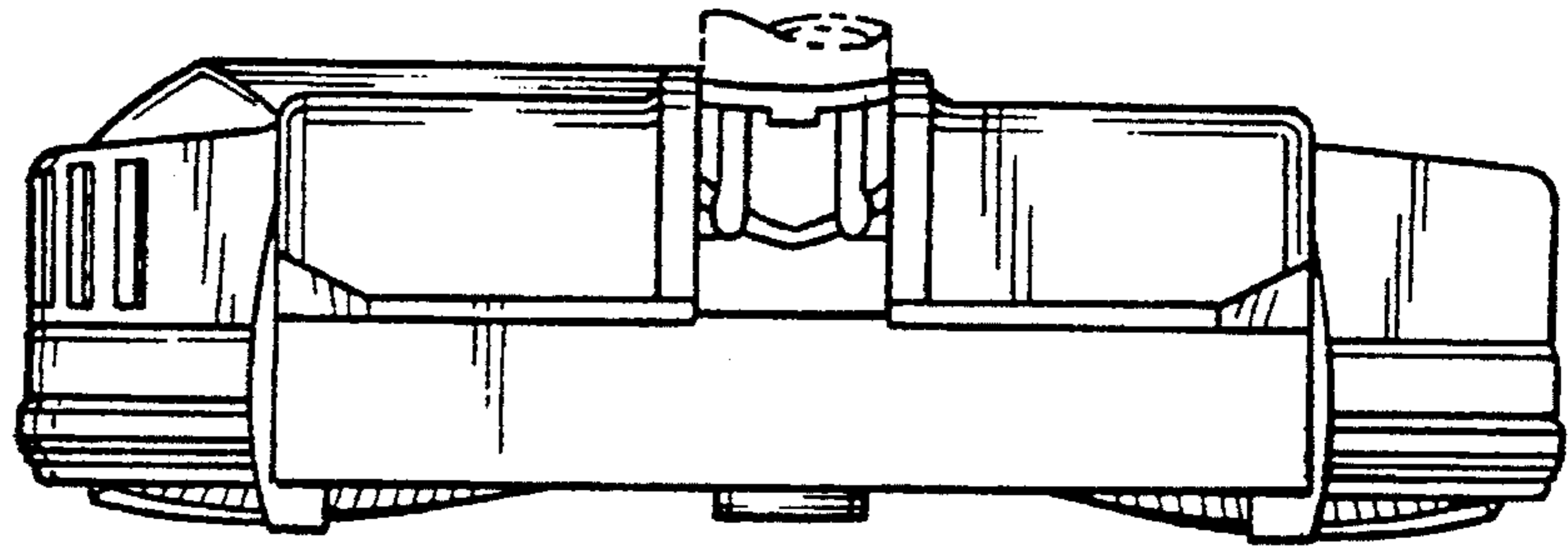


Fig - 5

Fig - 6

